

Slicing Machine Parts



12031
Motor Ball Bearing Large



12107
Drill #7



12108
Tap 1/4-20



12109
Drill 31/64



12110
Tap 9/16-12



22211
Foot, No Mar, Metric 4pk



12212
Washer, Meat Grip 3pk



12217C
Label, Waterproof



12218
Truing Stone Assy.



12219
Grinding Stone



12222
Access Cover



12224
Knife Shaft



12225
Knife Shaft Assy



12226
Rulon Plug



12230
Rulon Plug Holder



12227
Knife Plate



12233
Spring Plunger



12228
Plate Screw Kit



12231
Flat Washer



12232
Lock Nut



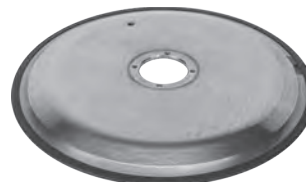
12236
Slicer Knife
Removable Shaft



12237
Knife Screw Set



12238
Spring Washer



12239
Slicer Knife
non-Removable Shaft



12240
Rulon Screw



12241
Knife Shaft



12243
Spring,
Truing Arm



22212
Shaft
Meat Pusher

New Parts 2022

Slicing Machine Parts



28049
Bearing Drive Assy



28066
Bearing Drive Assy



28067
Sealing Ring



32024
*End Weight, w/prongs
chrome*



32192
*End Weight, no prongs
chrome*



32193
*End Weight, no prongs
chrome*



32194
*End Weight, w/prongs
chrome*



32200
*End Weight
stainless steel*



32203
Switch Guard

Saw Parts



11016
*Lower Guide
Cleaner Bracket*



11264
Switch & Bracket Assy



11265
Table Stop Assy



11266
Table Stop Assy

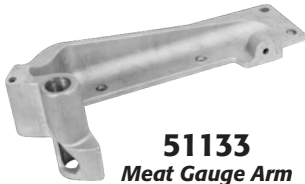


11267
Table Bumper



11268
Upper Wheel Kit

Saw Parts



51133
Meat Gauge Arm



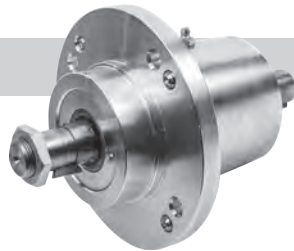
51134
Roll Pin



51150
Stud, Foot 4"



51151
Stud, Foot 3"



51155
Lower Shaft & Bearing Housing Assy



51156
Lower Shaft Housing



51157
Lower Bearing Housing



51158
Grease Seal Double Lip inside



51158
Grease Seal Double Lip outside



51159
Lower Bearing Case Cap



51160
Lower Bearing Shaft Seal & Case Cap



51161
Lower Bearing Housing Assy



51162
Retaining Ring small



51165
Meat Gauge Gear Rack



51166
Meat Gauge Gear Rack



51169
Acorn Nuts



51170
Plastic Slide Screw



51171
Meat Gauge Worm Gear



51172
Hand Wheel



51173
Release Handle



51174
Meat Gauge Release Pin



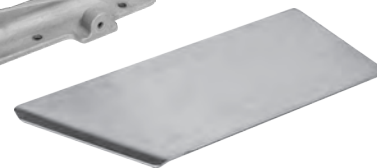
51175
Cotter Pins



51176
Meat Gauge Plate



51177
Meat Gauge Arm



51178
Meat Gauge Plate



51179
Lower Shaft Assy



51180
Release Pin Screw



61067
Hub Cap



61096
Bearing Retainer, Upper Wheel



61138
Micro Switch, Door Safety

New Parts 2022

Grinder Parts



44028
Switch
Red



44029
Block
Normally OPEN



44031
Switch
Black



44032
Block
Normally CLOSED



44046
Bearing



44047
Thrust Washer



15057
Spline Shaft Gearbox

Patty Machine Parts



14179
3/4 HP motor
110/220/60/1

Dough Mixer Parts



71186
Ring Gear 59T



71187
Pinion



71188
Spacer, Clutch Shaft



71189
Retaining Ring, 5Pk



71190
Step Washer, Clutch Shaft



71191
Washer, Clutch Shaft



71192
Retaining Ring, 5Pk



71193
Gear 23T



71194
Gear 33T



71195
Spacer



71196
Gear 32T



71197
Clutch, Outer Disc



71198
Transmission Oil, 1gal



71199
Planetary Oil, 6oz



71202
Clutch Sleeve



71203
*Worm Gear
29 Teeth*

Tenderizer Parts



13030
Kit

Hollymatic Hopper Bolt Kit Part #14177

Super 54

14003
OEM# 2227



14005
OEM# 2107

Hollymatic Insert Kit Part #14178

Super 54

Insert, Front (RS)
14004
OEM# 2395



Insert, Front (LS)
14006
OEM# 2595

Insert, Rear Locating
14104
OEM# 7791

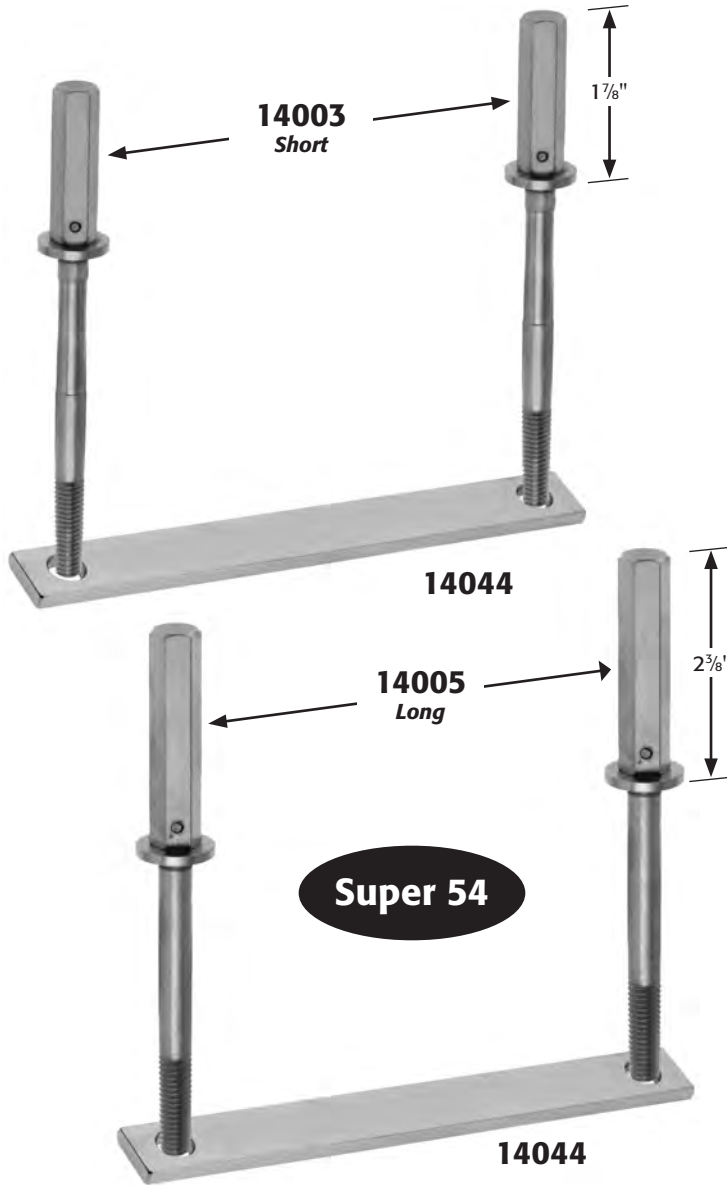


Insert, Rear (Threaded)
14010
OEM# 2095



Patty Machine

Hollymatic® Patty Machine



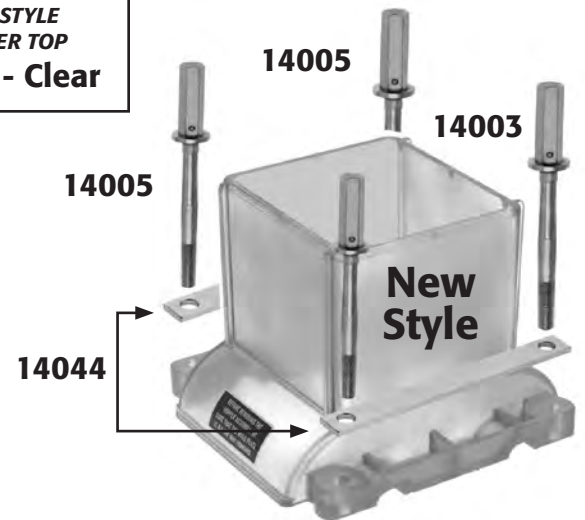
Part #	OEM #	Description
14002	2599	Guide, Rod
14003	2227	Hopper Bolt, Gear Guard (Short - 1 7/8" head)
14004	2395	Insert, Front-RH Threaded
14005	2107	Hopper Bolt, (Long - 2 3/8" head)
14006	2595	Insert, Front-LH, Threaded
14010	2095	Insert, Rear Threaded
14041	2495	Spacer, Threaded Insert
14044	2453	Bar, Hopper Bolt
14104	7791	Insert, Special
14105	7792	Nut, Special
14115	7100344990	Lock, Screw Assembly
14140	3140	T-Wrench 1/2"

2 Hollymatic Patty Machine

**OLD STYLE
HOPPER TOP
14144 - Clear**



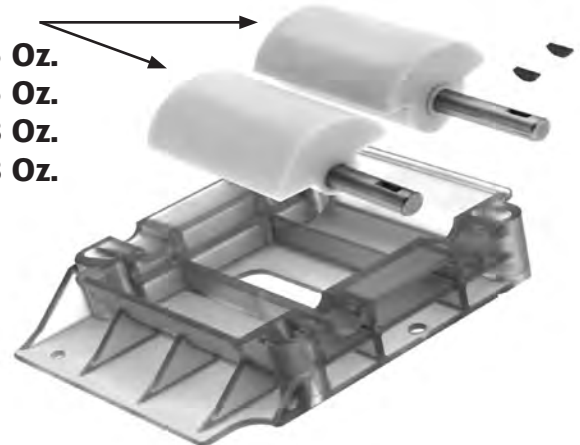
**NEW STYLE
HOPPER TOP
14143 - Clear**



Super 54



- COMPRESSORS**
- 14120 Front 5 Oz.**
 - 14121 Rear 5 Oz.**
 - 14122 Front 8 Oz.**
 - 14123 Rear 8 Oz.**

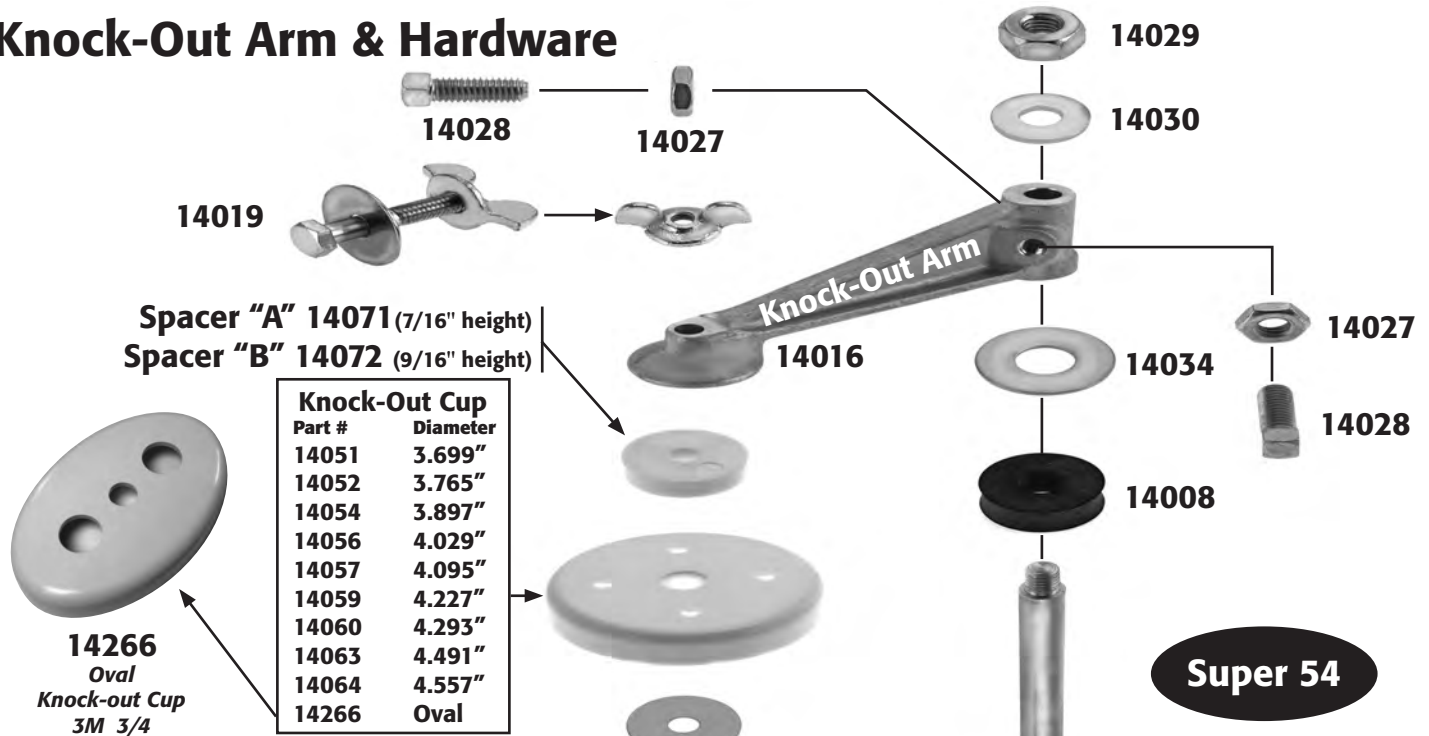


Part #	OEM #	Description
14003	2227	Hopper Bolt, Gear Guard
14005	2107	Hopper Bolt
14044	2453	Bar, Hopper Bolt
14120	2666	Compressor, Front 5 Oz.
14121	2668	Compressor, Rear 5 Oz.
14122	2686	Compressor, Front 8 Oz.
14123	2688	Compressor, Rear 8 Oz.
14131	2022	Gear, Front Compressor
14132	2021	Gear, Rear Compressor
14133	2700	Set Screw & Lock Nut
14135	2307	Gear Segment
14143	7113	Hopper Top, Clear (New Style)
14144	2050	Hopper Top, Clear (Old Style)
14145	2047	Hopper Bottom, Clear 5 Oz.
14146	2421	Hopper Bottom, Clear 5 Oz. (Grooved)
14147	2647	Hopper Bottom, Clear 8 Oz.
14148	2637	Hopper Bottom, Clear 8 Oz. (Grooved)

- HOPPER BOTTOMS**
- 14145 - Clear 5 oz.**
 - 14146 - Clear (Grooved) 5 oz.**
 - 14147 - Clear 8 oz.**
 - 14148 - Clear (Grooved) 8 oz.**

Hopper bottoms fit all Supers including new current model.

Knock-Out Arm & Hardware



Part #	OEM #	Description
14008	2238	Rubber Bumper
14013	2111	Spring, K.O. Helper
14014	5000556	Spring, Retraction
14016	2061	Arm, Knock-out
14019	2182	Bolt Assembly, Knock-out Cup
14022	2348	Rod, Knock-out
14027	7360083230	Nut, Hex Jam
14028	7161032830	Screw Set, Square Head
14029	7360052230	Nut, Hex Heavy
14030	1224	Washer, Knock-out Arm
14031	N/A	Hardware Kit (for Knock-out Arm)
14034	2159	Washer, Spacer
14038	2069	Bushing, Knock-out Rod Upper
14051	910-1209	Knock-out Cup, Plastic 3.699" Diameter
14052	910-1210	Knock-out Cup, Plastic 3.765" Diameter
14054	910-1212	Knock-out Cup, Plastic 3.879" Diameter
14056	912-1214	Knock-out Cup, Plastic 4.029" Diameter
14057	910-1215	Knock-out Cup, Plastic 4.095" Diameter
14059	910-1217	Knock-out Cup, Plastic 4.227" Diameter
14060	910-1218	Knock-out Cup, Plastic 4.293" Diameter
14063	910-1221	Knock-out Cup, Plastic 4.491" Diameter
14064	910-1222	Knock-out Cup, Plastic 4.557" Diameter
14071	910-1224	Spacer "A", Knock-out Cup
14072	910-1225	Spacer "B", Knock-out Cup
14169	2167	Bushing, Knock-out Rod Lower
14266	2466	Knock-out Cup, Plastic Oval 3M 3/4
14291	2080	Lift Arm

Hardware Kit 14031

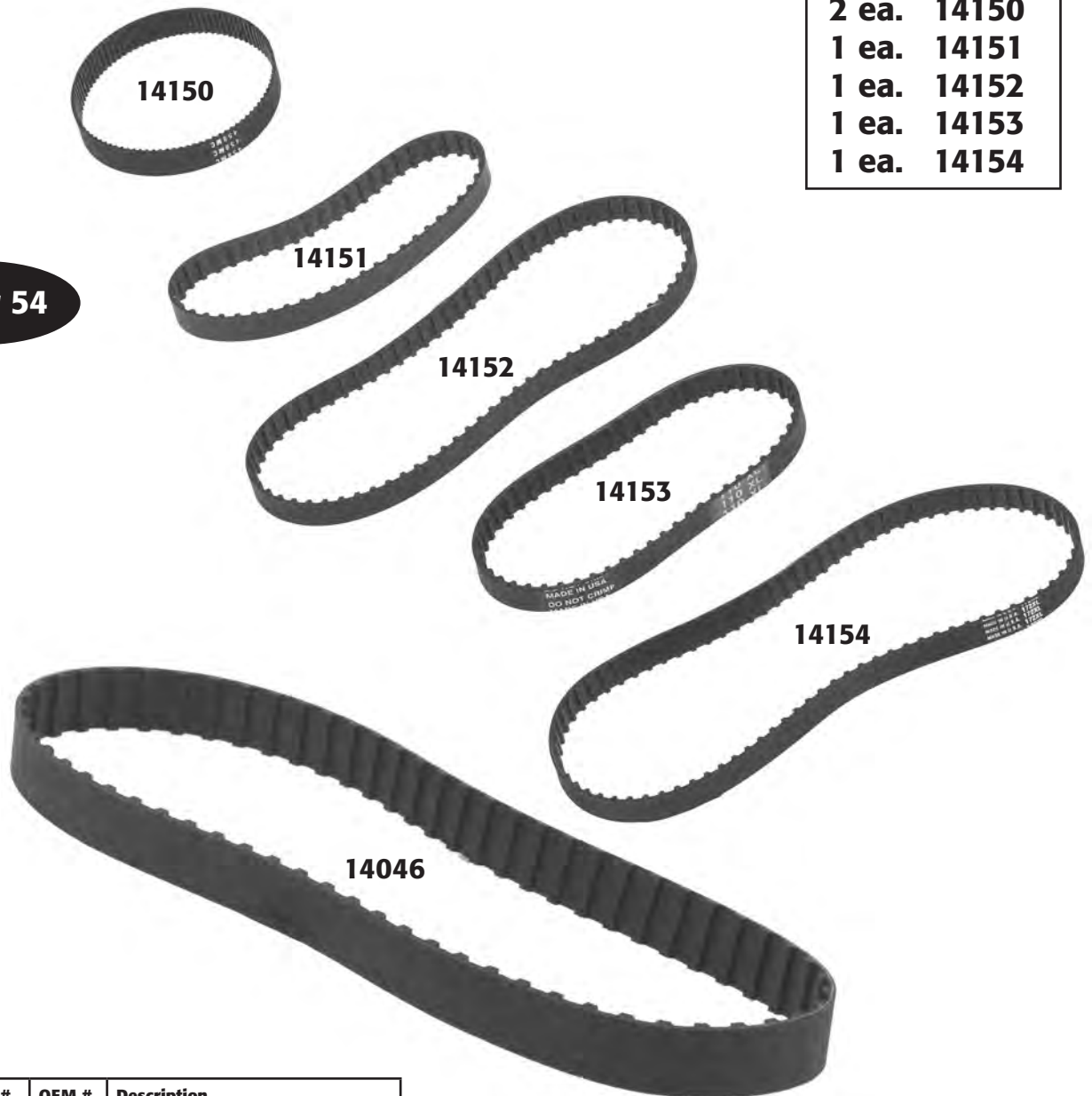
Includes:

Qty.	Part #
1 ea.	14029
1 ea.	14030
2 ea.	14027
2 ea.	14028
1 ea.	14034
1 ea.	14008

Hollymatic Timing Belt Kit, Paper Feed N/S Part #14166

<i>14166 Kit Includes:</i>	
Qty:	Part #
2 ea.	14150
1 ea.	14151
1 ea.	14152
1 ea.	14153
1 ea.	14154

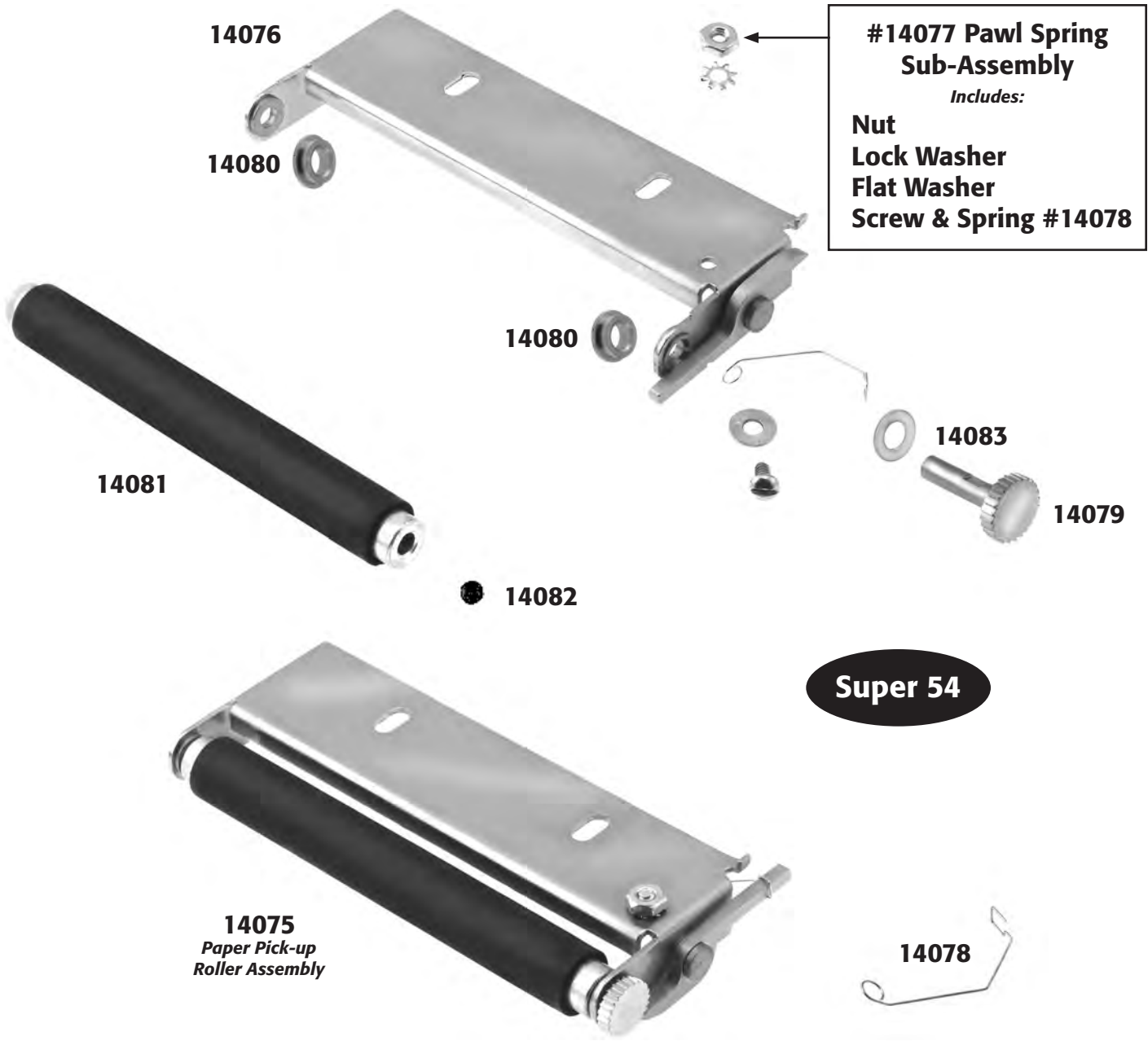
Super 54



Part #	OEM #	Description
14046	2161	Belt, Standard (Drive)
14150	7856	Timing Belt 95T, .08 Pitch
14151	7860	Timing Belt 50T, 1/5 Pitch
14152	7861	Timing Belt 75T, 1/5 Pitch
14153	7863	Timing Belt 55T, 1/5 Pitch
14154	7862	Timing Belt 85T, 1/5 Pitch
14166	N/A	Timing Belt Kit, Paper Feed N/S

Patty Machine

Hollymatic® Patty Machine

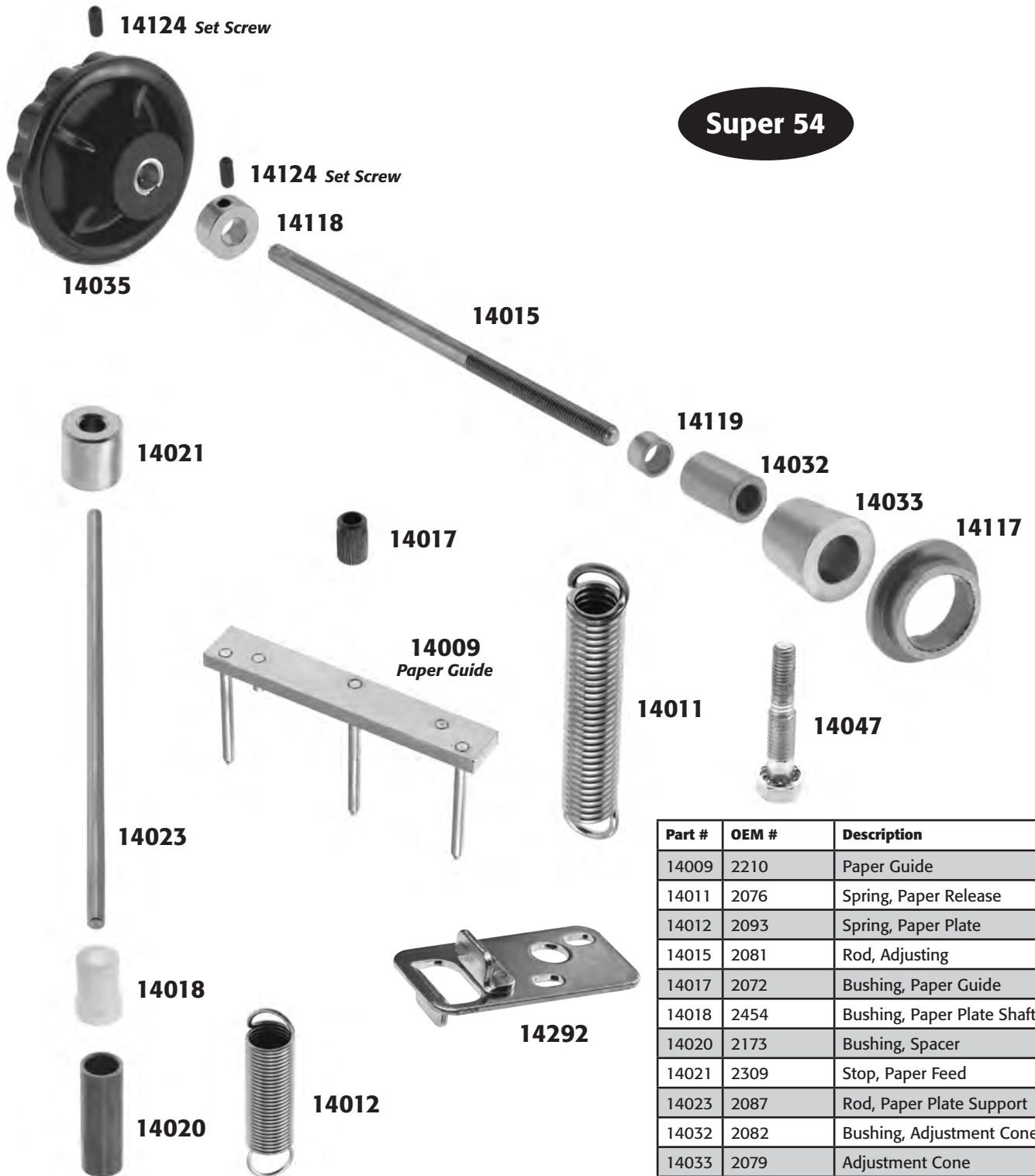


#14077 Pawl Spring Sub-Assembly
Includes:
Nut
Lock Washer
Flat Washer
Screw & Spring #14078

Super 54

Part #	OEM #	Description
14075	2377	Paper Pick-up Roller Assembly
14076	2386	Frame, Paper Pick-up
14077	2484	Pawl Spring Sub-Assembly
14078	2384	Spring, Pawl
14079	2373	Ratchet
14080	2374	Bearing
14081	2380	Roller Sub-Assembly
14082	712014099	Set Screw, Roller
14083	2382	Washer, Ratchet

6 Hollymatic Patty Machine



Part #	OEM #	Description
14009	2210	Paper Guide
14011	2076	Spring, Paper Release
14012	2093	Spring, Paper Plate
14015	2081	Rod, Adjusting
14017	2072	Bushing, Paper Guide
14018	2454	Bushing, Paper Plate Shaft
14020	2173	Bushing, Spacer
14021	2309	Stop, Paper Feed
14023	2087	Rod, Paper Plate Support
14032	2082	Bushing, Adjustment Cone
14033	2079	Adjustment Cone
14035	2066	Knob, Adjustment Rod
14047	2242	Bolt Assy Reducer
14117	2078	Bushing, Paper Release Arm
14118	473	Collar Assembly
14119	2119	Sleeve
14124	7140345930	Set Screw
14292	2589	Guide Plate

Patty Machine

Hollymatic® Patty Machine

Hollymatic Spring Kit Part #14125

Super 54

KIT INCLUDES:	
Part #	Description:
14011	Spring, Paper Release
14012	Spring, Paper Plate
14013	Spring, Knock-Out Helper
14014	Spring, Retraction



14125



14127



14126



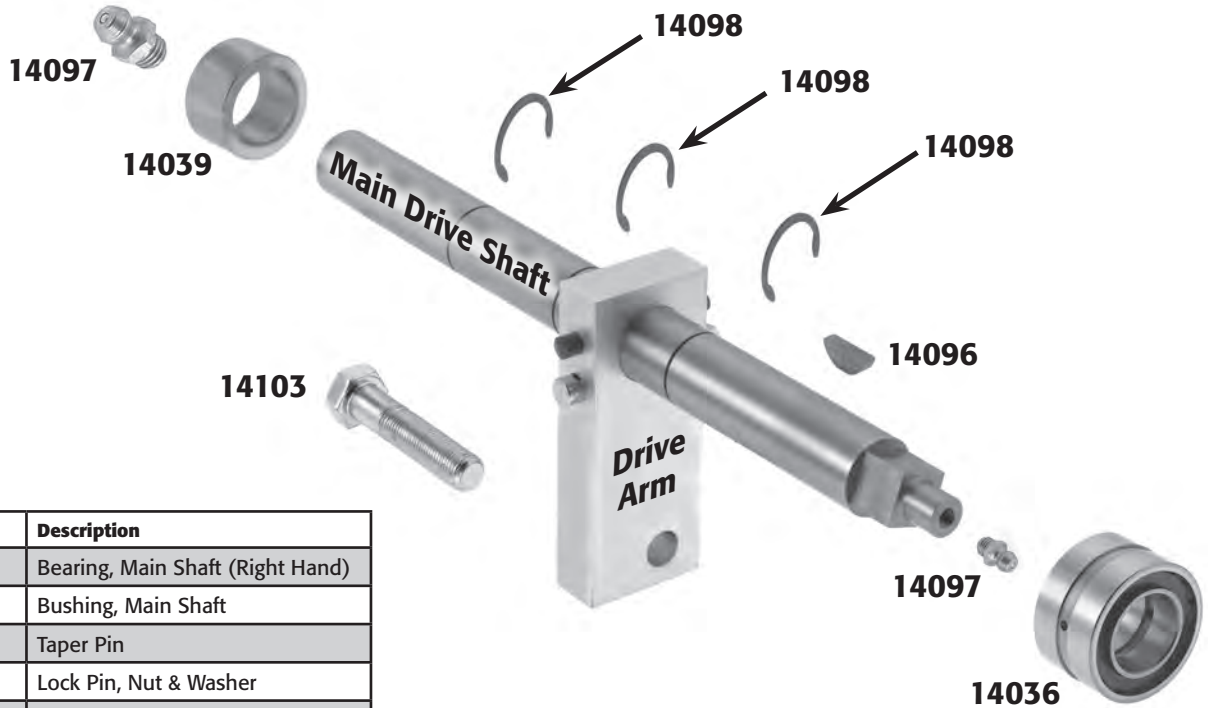
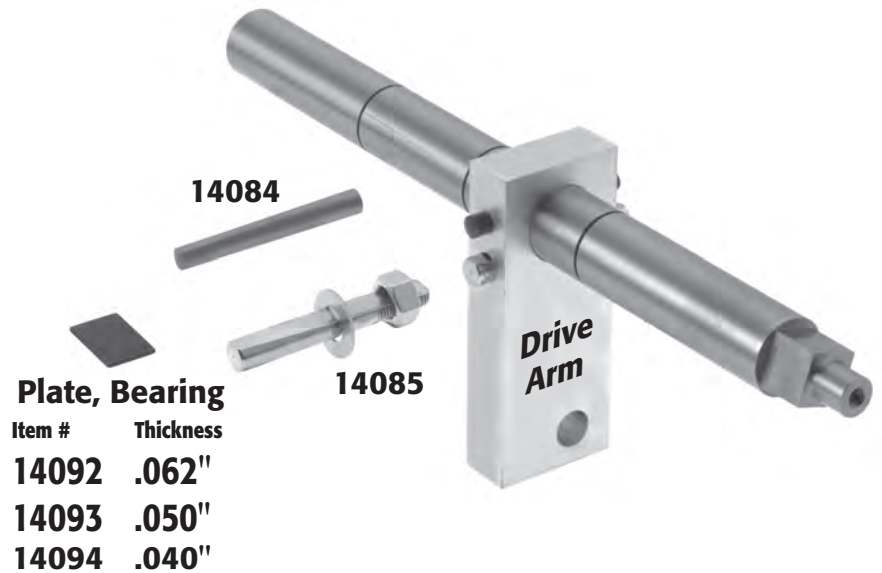
Part #	OEM #	Description
14125	N/A	Spring Kit
14126	2402	Caster, Rigid
14127	2139	Caster, Swivel

Hollymatic Main Shaft & Drive Arm Assembly Part #14095

COMPLETE ASSEMBLY* INCLUDES:

Part #	Description
14095A	Main Drive Shaft*
14095B	Drive Arm*
14084	Taper Pin
14085	Lock Pin, Nut, Washer
14092	Plate .062"
14096	Key, Woodruff
14097	Grease Fitting
14098	Snap Rings

**Part not sold separately*



Part #	OEM #	Description
14036	2002	Bearing, Main Shaft (Right Hand)
14039	2102	Bushing, Main Shaft
14084	2206	Taper Pin
14085	2188	Lock Pin, Nut & Washer
14092	2412	Plate .062"
14093	2414	Plate .050"
14094	2416	Plate .040"
14095	7695	Main Shaft & Drive Arm Assembly
14096	493	Key, Woodruff
14097	2094	Grease Fitting
14098	776001393	Snap Ring
14103	2455	Bolt Upper, Long

Super 54

Patty Machine

Hollymatic® Patty Machine

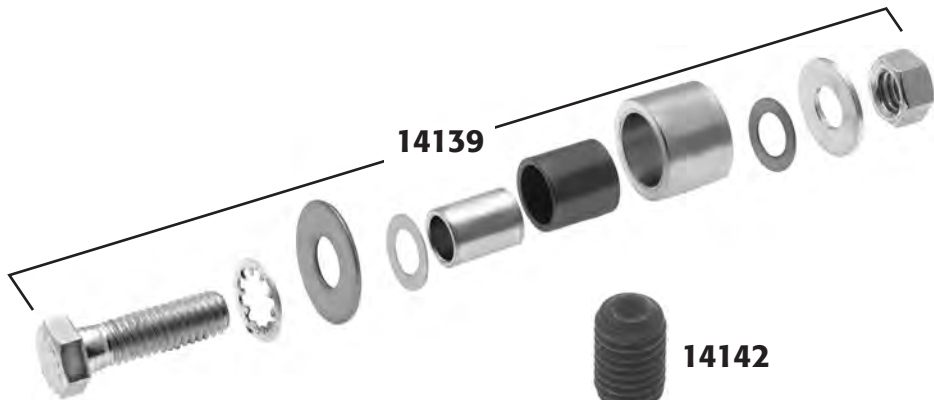


14167

Super 54



14168



14139



14138



14142



14142

14136

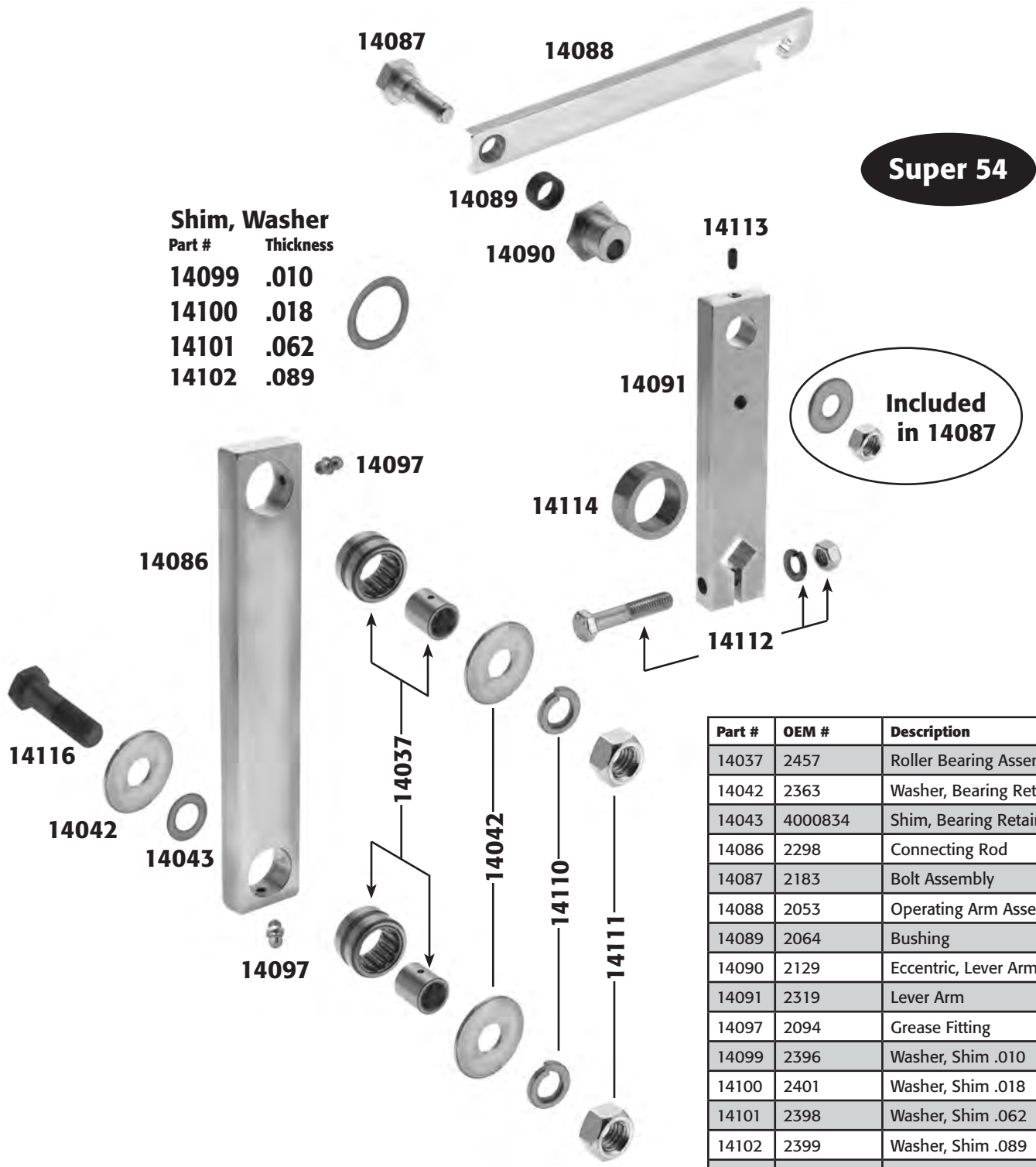


14137



Part #	OEM #	Description
14136	7692	Hub For Spring #7, #10, #11
14137	7693	Hub For Spring #8, #9, #12, #13
14138	2268	Roller, King
14139	2215	Spring Stop Assortment
14142	716053699	Set Screw, Spring Hub
14167	2005-09	Main Spring #9, Blue
14168	2608	Spring, Winder Assembly

10 Hollymatic Patty Machine



Shim, Washer

Part #	Thickness
14099	.010
14100	.018
14101	.062
14102	.089

Super 54

Included in 14087

Part #	OEM #	Description
14037	2457	Roller Bearing Assembly
14042	2363	Washer, Bearing Retainer
14043	4000834	Shim, Bearing Retaining
14086	2298	Connecting Rod
14087	2183	Bolt Assembly
14088	2053	Operating Arm Assembly
14089	2064	Bushing
14090	2129	Eccentric, Lever Arm
14091	2319	Lever Arm
14097	2094	Grease Fitting
14099	2396	Washer, Shim .010
14100	2401	Washer, Shim .018
14101	2398	Washer, Shim .062
14102	2399	Washer, Shim .089
14110	758000591	Washer, Split Lock
14111	736008323	Nut, Hex
14112	2701	Bolt Assortment
14113	714034499	Set Screw, Lever Arm
14114	2007	Bushing, Operating Arm
14116	2355	Bolt, Short Connecting Rod (Lower)



Patty Machine

Hollymatic® Patty Machine

Hollymatic Bolt Assortments

Super 54

Part #	OEM #	Mold Plate Thickness	
14026	2710	1/2, 5/8, 3/4	w/extension
14155	2705	3/16, 1/4	w/o extension
14156	2706	5/16, 3/8	w/o extension
14157	2707	1/2	w/o extension
14158	2708	3/16, 1/4, 5/16	w/extension
14159	2709	3/8	w/extension

Bolt Assy

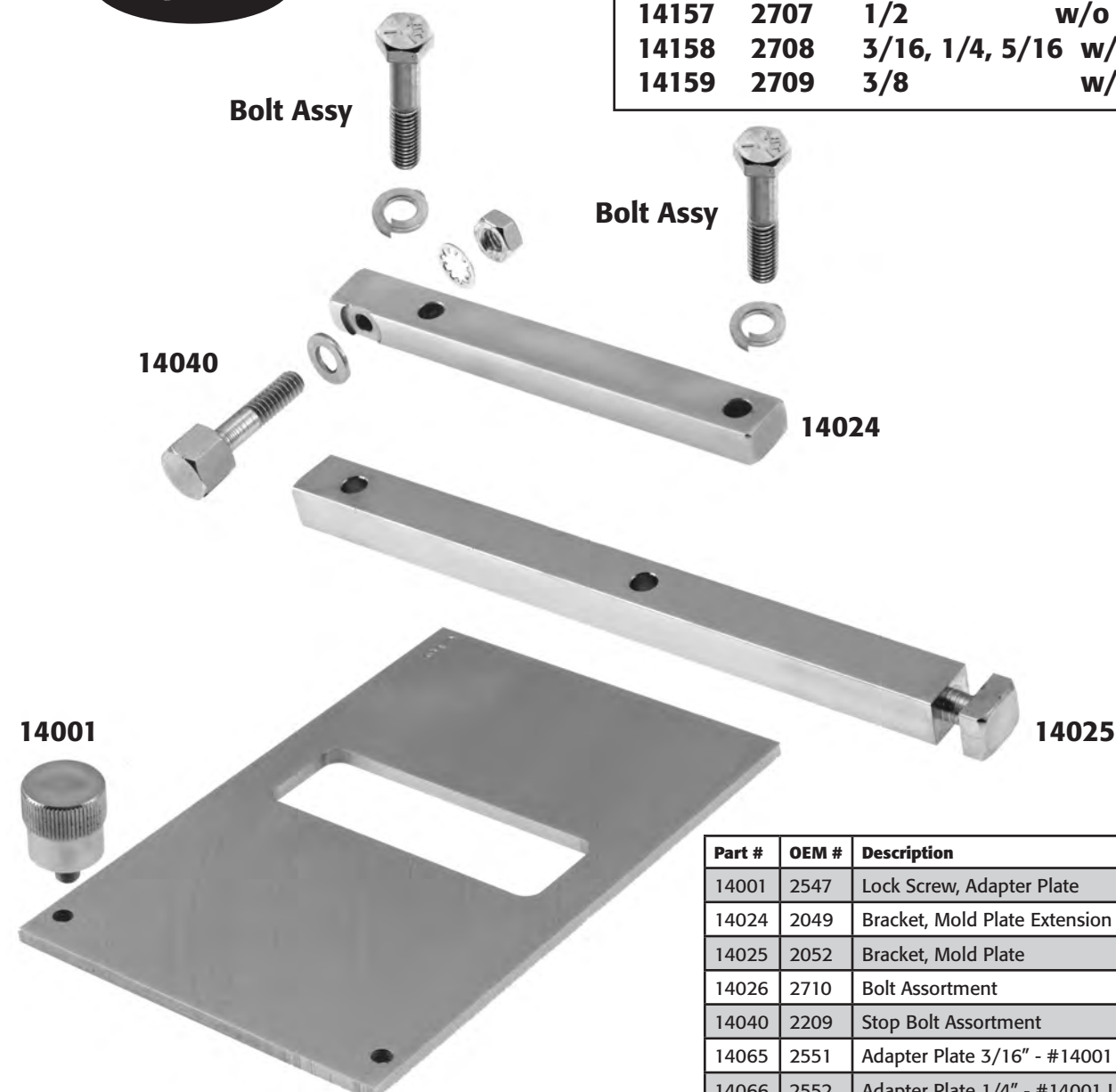
Bolt Assy

14040

14024

14025

14001



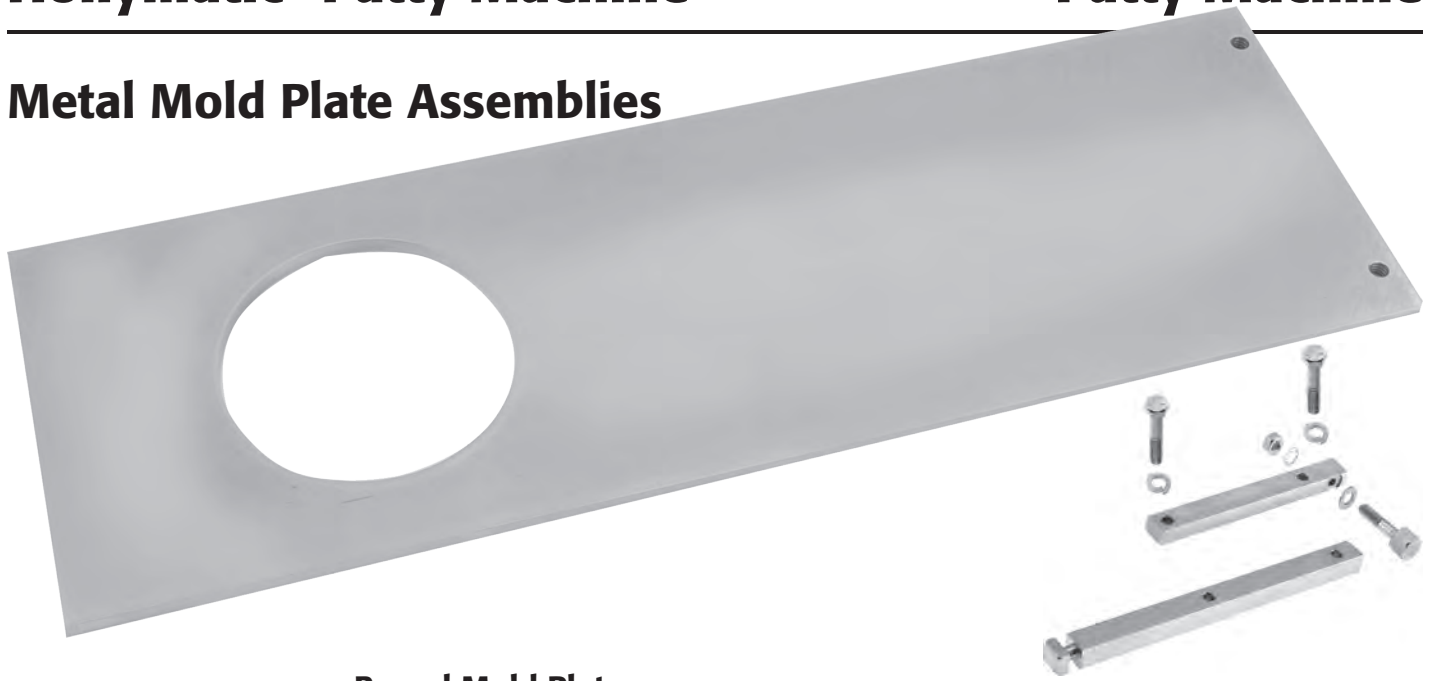
Part #	OEM #	Description
14001	2547	Lock Screw, Adapter Plate
14024	2049	Bracket, Mold Plate Extension
14025	2052	Bracket, Mold Plate
14026	2710	Bolt Assortment
14040	2209	Stop Bolt Assortment
14065	2551	Adapter Plate 3/16" - #14001 Lock Screw Inc'l.
14066	2552	Adapter Plate 1/4" - #14001 Lock Screw Inc'l.
14067	2553	Adapter Plate 5/16" - #14001 Lock Screw Inc'l.
14068	2554	Adapter Plate 3/8" - #14001 Lock Screw Inc'l.
14069	2555	Adapter Plate 1/2" - #14001 Lock Screw Inc'l.
14070	2556	Adapter Plate 5/8" - #14001 Lock Screw Inc'l.
14155	2705	Bolt Assortment
14156	2706	Bolt Assortment
14157	2707	Bolt Assortment
14158	2708	Bolt Assortment
14159	2709	Bolt Assortment

Part #	OEM #	Description
14065	2551	3/16 inch
14066	2552	1/4 inch
14067	2553	5/16 inch
14068	2554	3/8 inch
14069	2555	1/2 inch
14070	2556	5/8 inch

Adapter Plates
Includes #14001 Lock Screw

12 Hollymatic Patty Machine

Metal Mold Plate Assemblies



Super 54

*Includes:
Brackets and hardware.
Single hole only.*

*Multiple or custom
holes quoted separately*

**No Returns
on Mold Plates**

Round Mold Plates

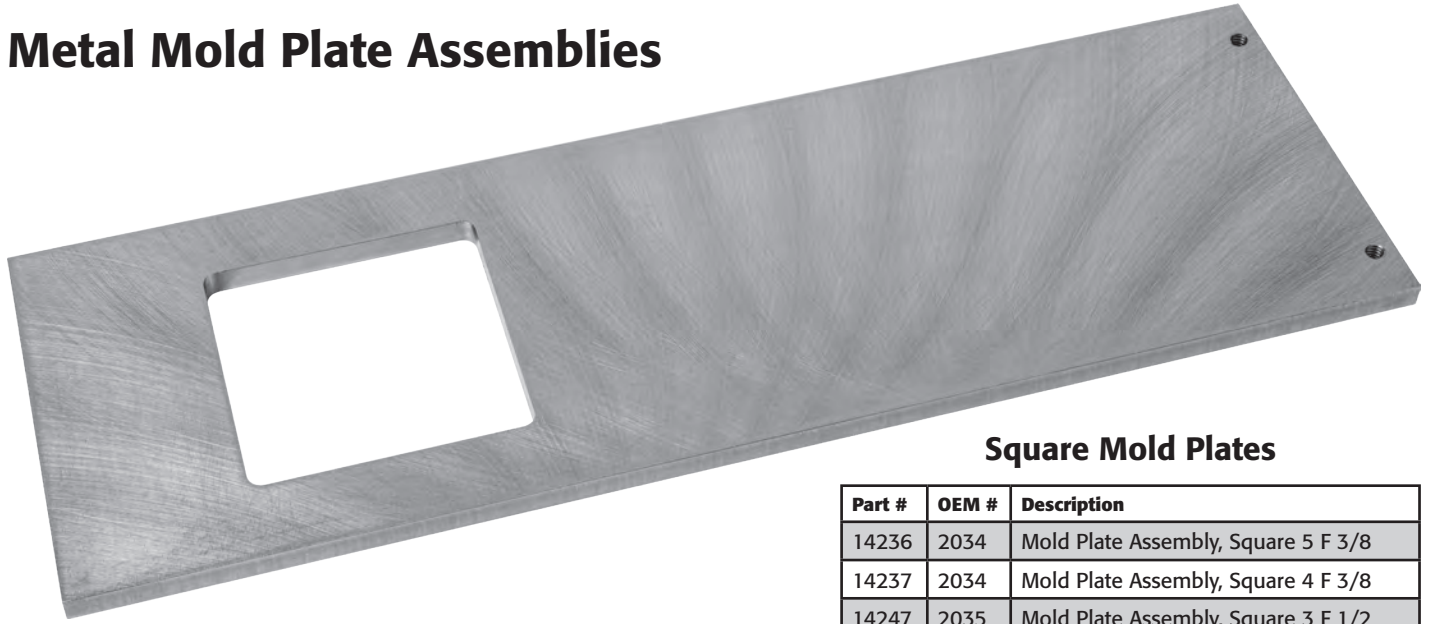
Part #	OEM #	Description
14201	2031	Mold Plate Assembly 9 F 3/16
14202	2031	Mold Plate Assembly 10 F 3/16
14203	2031	Mold Plate Assembly 12 F 3/16
14211	2032	Mold Plate Assembly 6 F 1/4
14212	2032	Mold Plate Assembly 7 F 1/4
14213	2032	Mold Plate Assembly 8 F 1/4
14214	2032	Mold Plate Assembly 9 F 1/4
14215	2032	Mold Plate Assembly 10 F 1/4
14216	2032	Mold Plate Assembly 2.5 Oz F 1/4
14217	2032	Mold Plate Assembly 5 F 1/4
14218	2032	Mold Plate Assembly 3 Oz F 1/4
14221	2033	Mold Plate Assembly 5 F 5/16
14222	2033	Mold Plate Assembly 3 Oz 5/16
14223	2033	Mold Plate Assembly 6 Oz F 5/16
14224	2033	Mold Plate Assembly 7 F 5/16
14225	2033	Mold Plate Assembly 8 F 5/16
14226	2033	Mold Plate Assembly 4 M 5/16
14229	2033	Mold Plate Assembly 5 Oz M 3/8
14230	2037	Mold Plate Assembly 4 M 3/8
14231	2034	Mold Plate Assembly 4 F 3/8
14232	2034	Mold Plate Assembly 5 F 3/8
14233	2034	Mold Plate Assembly 3 Oz 3/8
14234	2034	Mold Plate Assembly 6 F 3/8
14235	2034	Mold Plate Assembly 8 F 3/8
14238	2034	Mold Plate Assembly 6 Oz 3/8
14239	2034	Mold Plate Assembly 3 F 3/8
14240	2034	Mold Plate Assembly 8 M 3/8
14241	2035	Mold Plate Assembly 4 F 1/2
14242	2035	Mold Plate Assembly 5 F 1/2

Part #	OEM #	Description
14243	2035	Mold Plate Assembly 3 Oz F 1/2
14244	2035	Mold Plate Assembly 5 Oz 1/2
14245	2035	Mold Plate Assembly 3 F 1/2
14246	2035	Mold Plate Assembly 6 Oz M 1/2
14248	2035	Mold Plate Assembly 2 Oz 1/2
14249	2035	Mold Plate Assembly 7 F 1/2
14250	2035	Mold Plate Assembly 9 M 1/2
14251	2036	Mold Plate Assembly 6 Oz 5/8
14252	2036	Mold Plate Assembly 3 F 5/8
14253	2036	Mold Plate Assembly 5 Oz 5/8
14254	2036	Mold Plate Assembly 4 F 5/8
14256	2036	Mold Plate Assembly 2 F 5/8
14257	2036	Mold Plate Assembly 6 F 5/8
14259	2036	Mold Plate Assembly 10 F 5/8
14260	2037	Mold Plate Assembly 3 Oz F 3/4
14261	2037	Mold Plate Assembly 7 Oz 3/4
14262	2037	Mold Plate Assembly 6 Oz 3/4
14263	2037	Mold Plate Assembly 3 F 3/4
14264	2037	Mold Plate Assembly 5 Oz F 3/4
14265	2037	Mold Plate Assembly 8 Oz 3/4
14270	2037	Mold Plate Assembly 4 F 3/4
14272	2037	Mold Plate Assembly 10 F 3/4
14273	2037	Mold Plate Assembly 2 M 3/4
14274	2037	Mold Plate Assembly 12 F 3/4
14275	2037	Mold Plate Assembly 6 F 3/4
14277	2037	Mold Plate Assembly 5 Oz M 3/4
14278	2037	Mold Plate Assembly 2 Oz F 3/4
14280	2037	Mold Plate Assembly 4 Oz M 5/8
14281	2037	Mold Plate Assembly 2 Oz M 5/8

Patty Machine

Hollymatic® Patty Machine

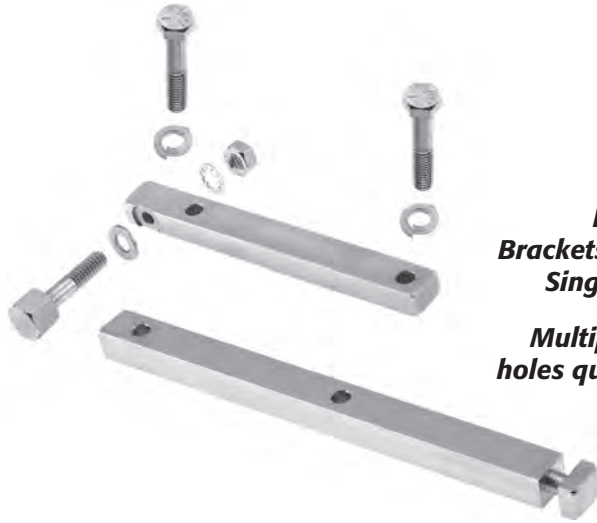
Metal Mold Plate Assemblies



Square Mold Plates

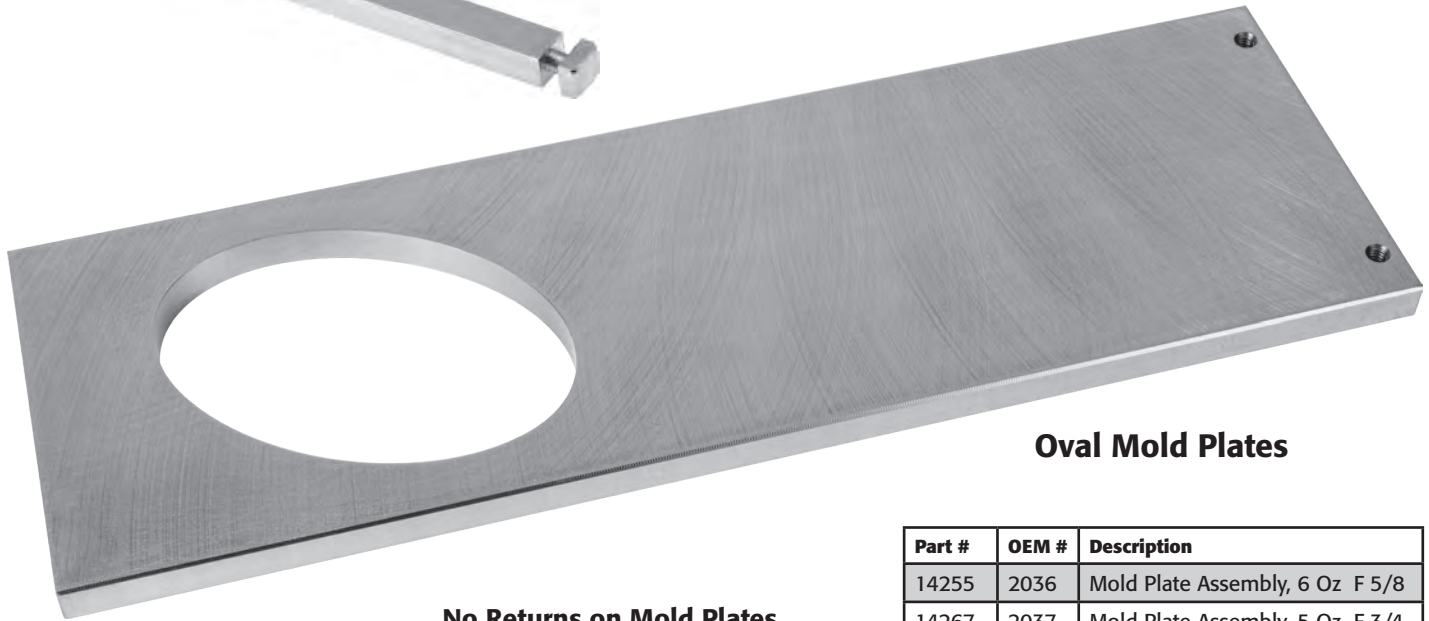
Part #	OEM #	Description
14236	2034	Mold Plate Assembly, Square 5 F 3/8
14237	2034	Mold Plate Assembly, Square 4 F 3/8
14247	2035	Mold Plate Assembly, Square 3 F 1/2
14258	2036	Mold Plate Assembly, Square 4 F 5/8
14271	2037	Mold Plate Assembly, Square 7 Oz 3/4
14276	2037	Mold Plate Assembly, Square 8 Oz F 3/4

No Returns on Mold Plates



Includes:
*Brackets and hardware.
Single hole only.*

*Multiple or custom
holes quoted separately*



Oval Mold Plates

Part #	OEM #	Description
14255	2036	Mold Plate Assembly, 6 Oz F 5/8
14267	2037	Mold Plate Assembly, 5 Oz F 3/4
14268	2037	Mold Plate Assembly, 8 Oz F 3/4
14269	2037	Mold Plate Assembly, 3 F 3/4

No Returns on Mold Plates

Hollymatic® Electrical

Super 54



14130



14173



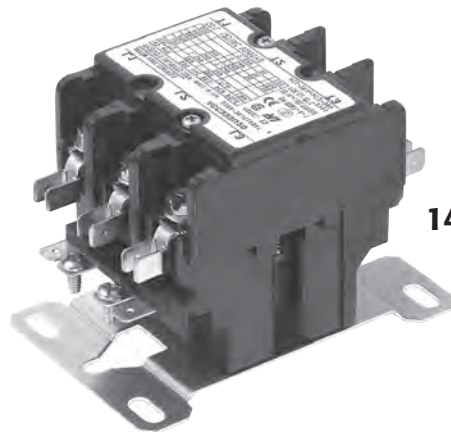
14175



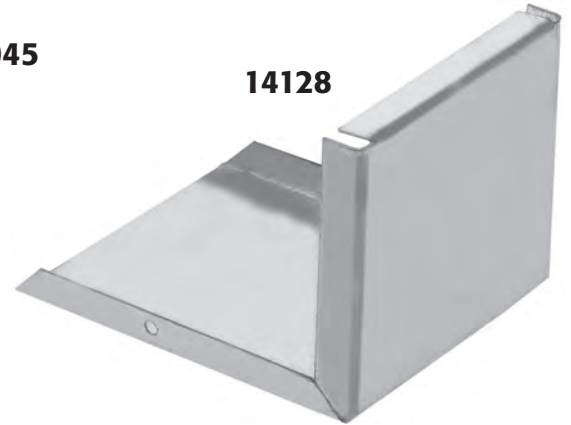
14174



14176



14045



14128



14172



14007

No Returns on Electrical Items

Part #	OEM #	Description
14007	7147	Switch Assembly, On/Off
14045	7727	Contactors, 1 Phase
14128	2832	Cover, Contactor
14130	2440376	Sensor Proximity
14172	7793	Circuit Breaker, 12 Amp
14173	7671	Fuse Holder
14174	7747	Fuse, 15 Amp
14175	7670	Cap & Fuse
14176	1900175	Large Fuse Holder

Patty Machine

Hollymatic® Patty Machine

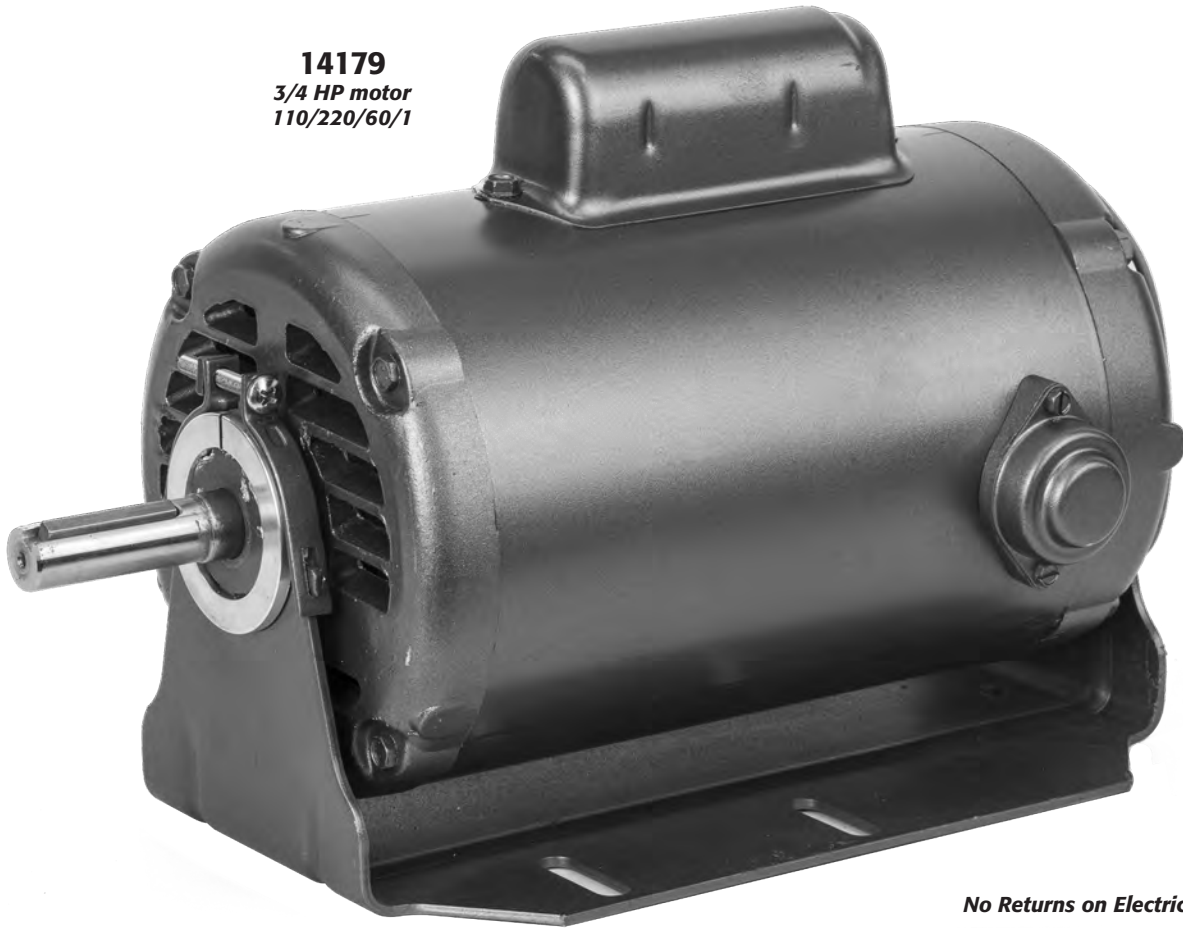
Holly Motor

3/4 HP 110/220/60/1

Part #14179

Super 54

14179
3/4 HP motor
110/220/60/1

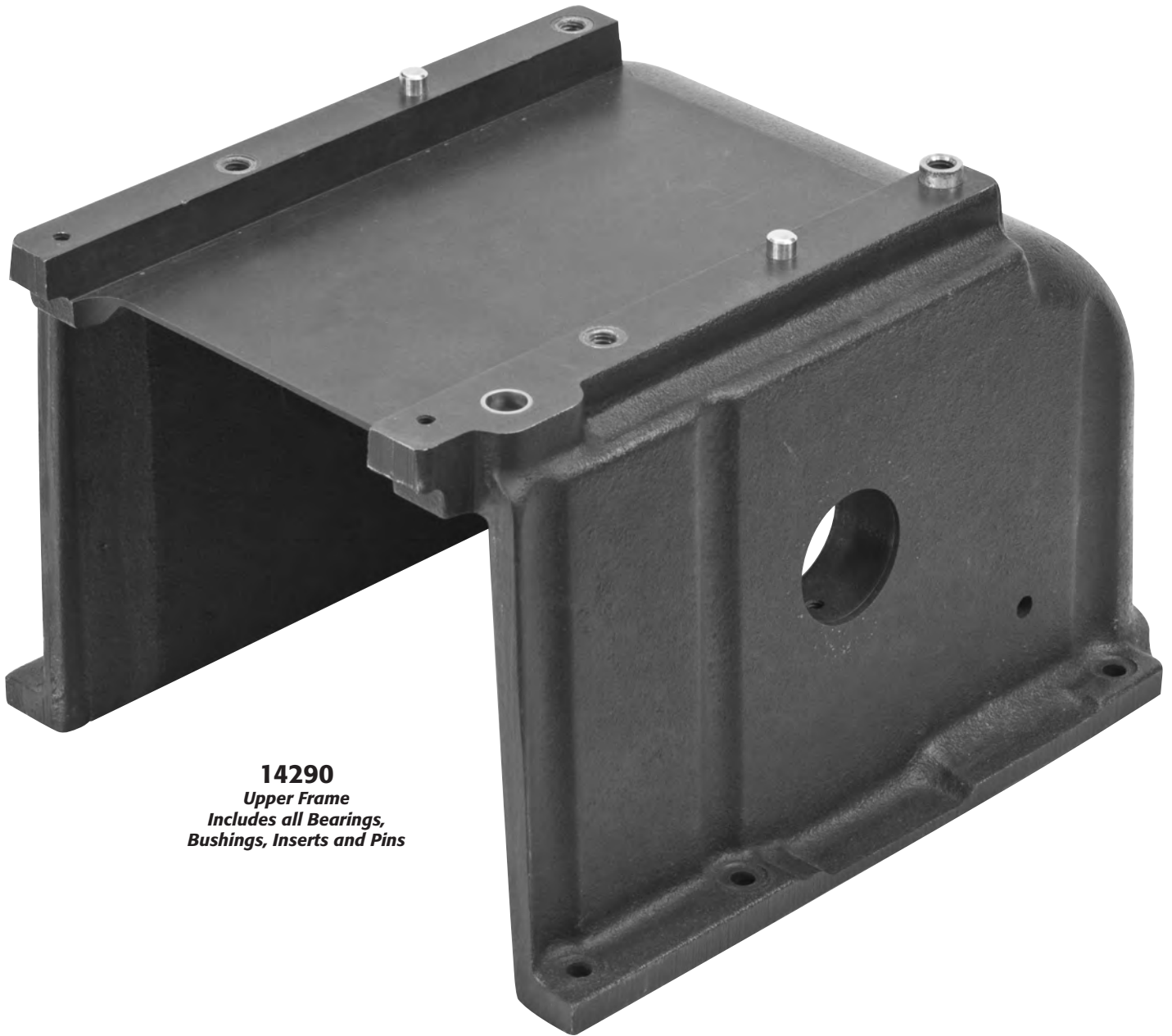


No Returns on Electrical Items

Motor #14179 is furnished with rubber motor mounts on the frame. This is a flexible motor mount. For rigid mounting, two aluminum rings, #14165, are required. Photo of motor has a ring installed.



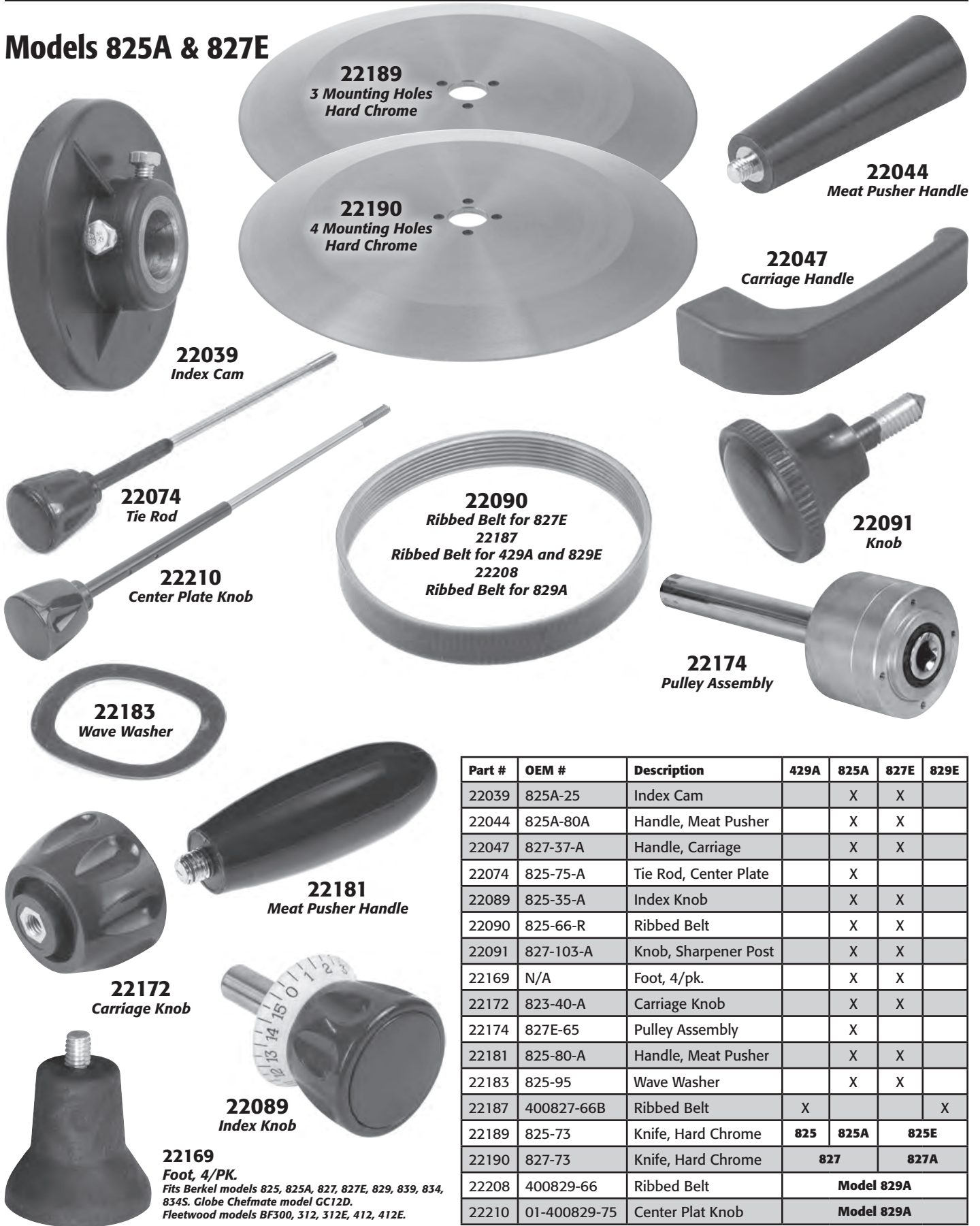
Upper Frame



14290
Upper Frame
Includes all Bearings,
Bushings, Inserts and Pins

Part #	OEM #	Description
14290	2001	Upper Frame

Models 825A & 827E

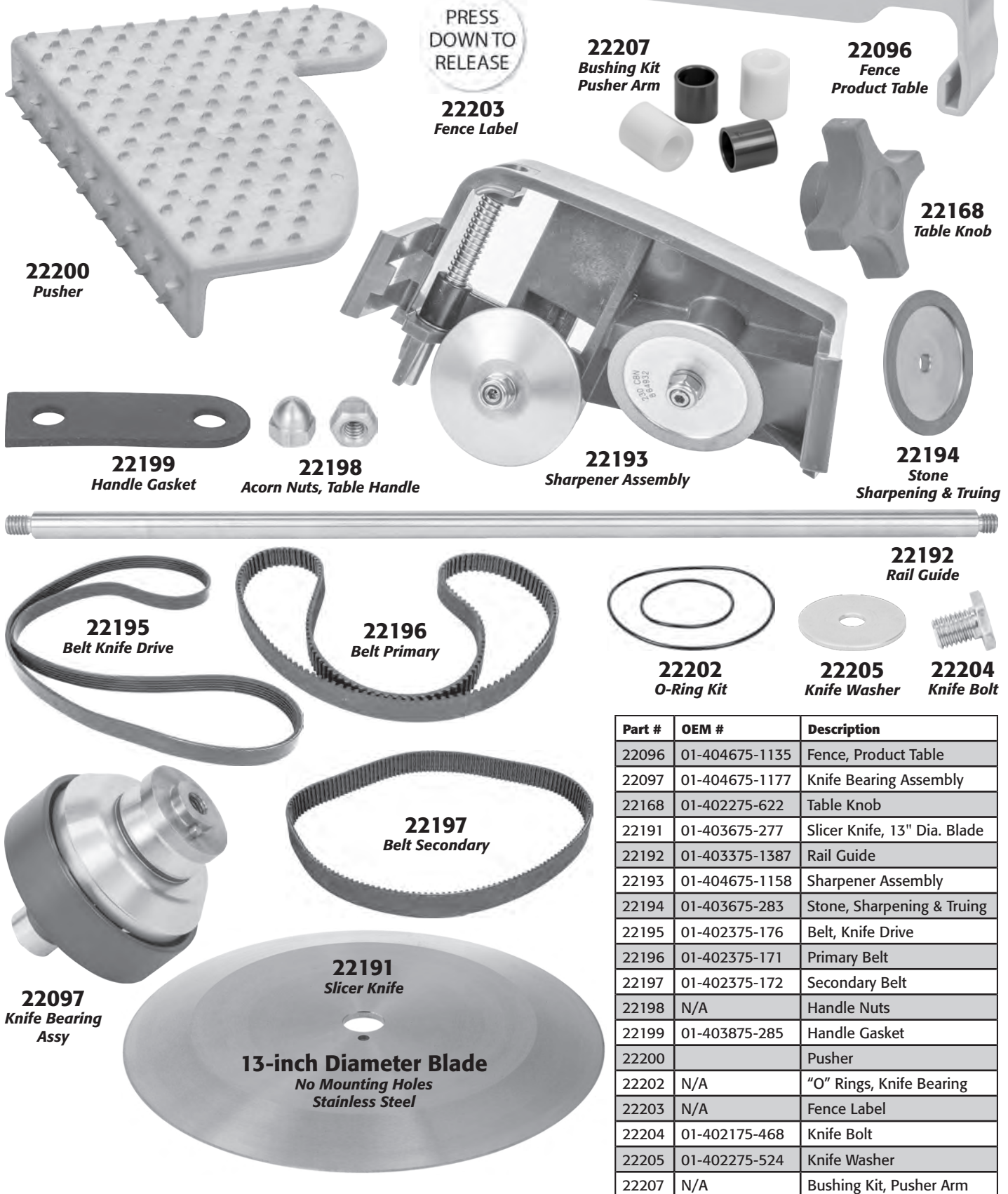


Part #	OEM #	Description	429A	825A	827E	829E
22039	825A-25	Index Cam		X	X	
22044	825A-80A	Handle, Meat Pusher		X	X	
22047	827-37-A	Handle, Carriage		X	X	
22074	825-75-A	Tie Rod, Center Plate		X		
22089	825-35-A	Index Knob		X	X	
22090	825-66-R	Ribbed Belt		X	X	
22091	827-103-A	Knob, Sharpener Post		X	X	
22169	N/A	Foot, 4/pk.		X	X	
22172	823-40-A	Carriage Knob		X	X	
22174	827E-65	Pulley Assembly		X		
22181	825-80-A	Handle, Meat Pusher		X	X	
22183	825-95	Wave Washer		X	X	
22187	400827-66B	Ribbed Belt	X			X
22189	825-73	Knife, Hard Chrome	825	825A	825E	
22190	827-73	Knife, Hard Chrome		827	827A	
22208	400829-66	Ribbed Belt		Model 829A		
22210	01-400829-75	Center Plat Knob		Model 829A		

Slicing Machines

Berkel Slicers

Model X13



PRESS
DOWN TO
RELEASE

22200
Pusher

22203
Fence Label

22207
Bushing Kit
Pusher Arm

22096
Fence
Product Table



22199
Handle Gasket



22198
Acorn Nuts, Table Handle



22193
Sharpener Assembly



22168
Table Knob



22194
Stone
Sharpening & Truing



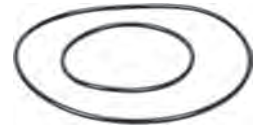
22192
Rail Guide



22195
Belt Knife Drive



22196
Belt Primary



22202
O-Ring Kit



22205
Knife Washer



22204
Knife Bolt



22097
Knife Bearing
Assy



22197
Belt Secondary

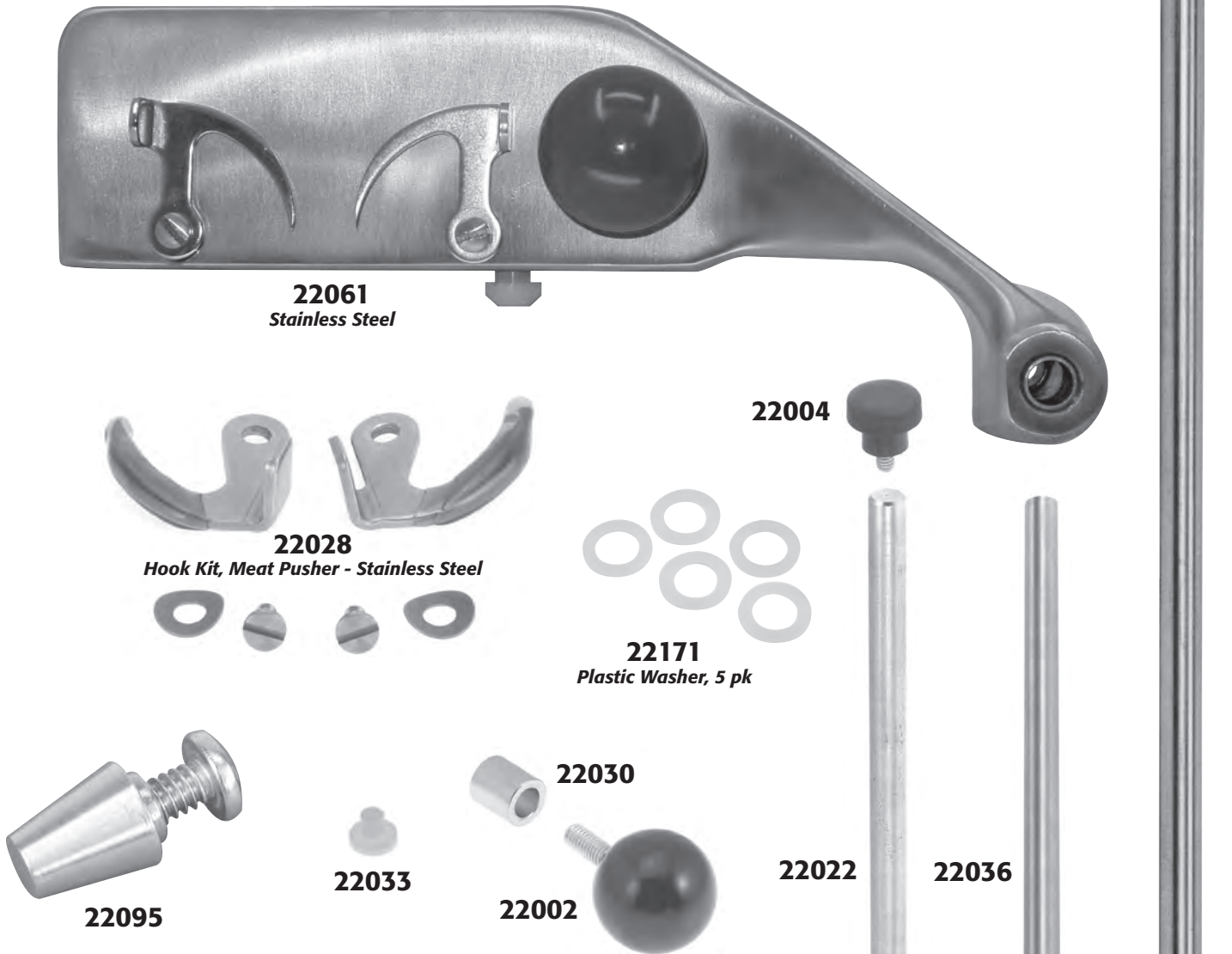


22191
Slicer Knife
13-inch Diameter Blade
No Mounting Holes
Stainless Steel

Part #	OEM #	Description
22096	01-404675-1135	Fence, Product Table
22097	01-404675-1177	Knife Bearing Assembly
22168	01-402275-622	Table Knob
22191	01-403675-277	Slicer Knife, 13" Dia. Blade
22192	01-403375-1387	Rail Guide
22193	01-404675-1158	Sharpener Assembly
22194	01-403675-283	Stone, Sharpening & Truing
22195	01-402375-176	Belt, Knife Drive
22196	01-402375-171	Primary Belt
22197	01-402375-172	Secondary Belt
22198	N/A	Handle Nuts
22199	01-403875-285	Handle Gasket
22200		Pusher
22202	N/A	"O" Rings, Knife Bearing
22203	N/A	Fence Label
22204	01-402175-468	Knife Bolt
22205	01-402275-524	Knife Washer
22207	N/A	Bushing Kit, Pusher Arm

2 Berkel Slicer

Berkel Meat Pusher & Components

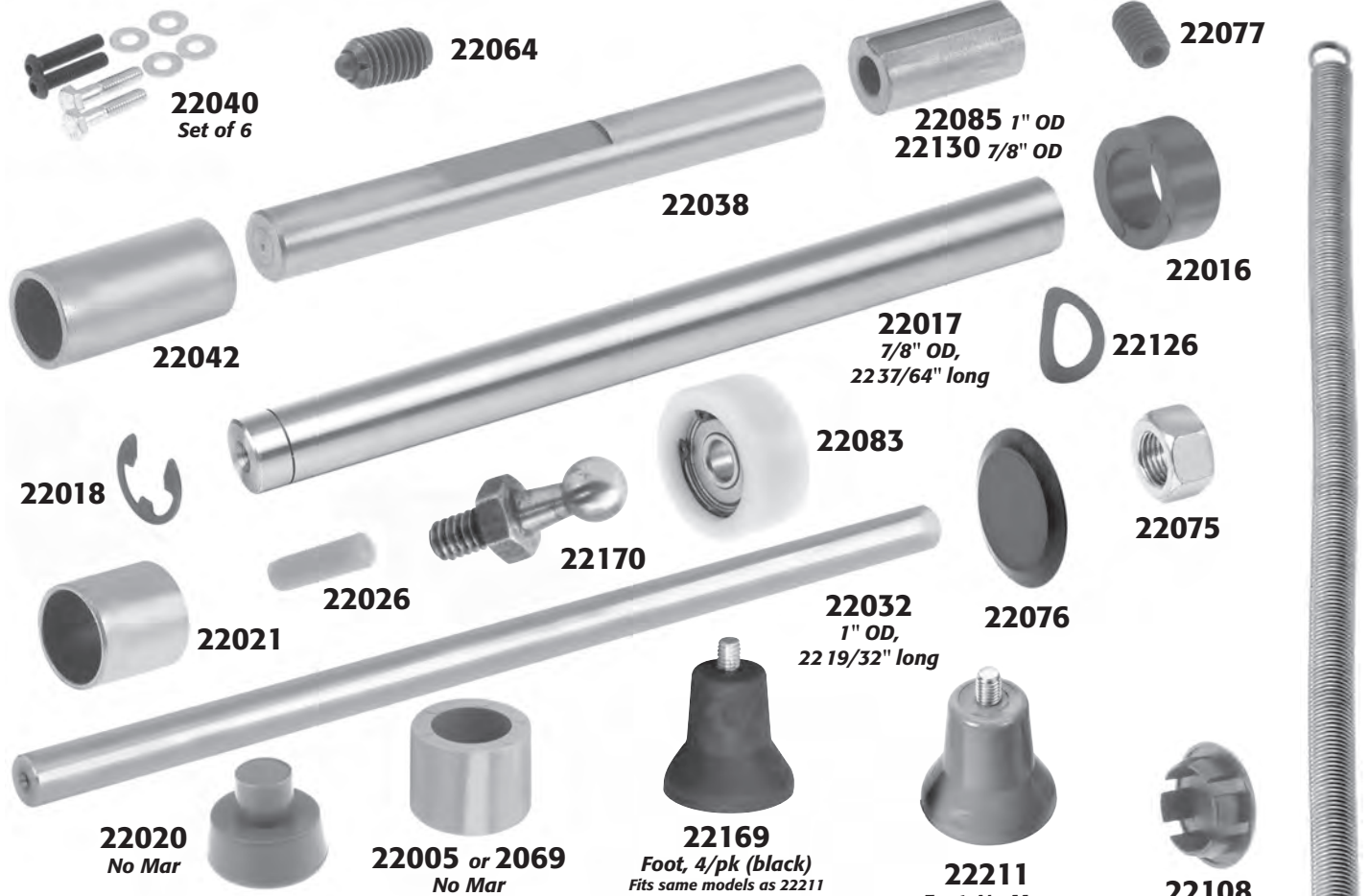


Part #	OEM #	Description	807	808	817	818	909	919
22002	2275-00043	Knob, Male Meat Pusher	X	X	X	X	X	X
22004	2275-00056	Knob, Meat Pusher Shaft		X		X	X	X
22022	3375-00242	Shaft, Meat Pusher SS		X		X	X	X
22025	2275-00045	Bushing, Meat Pusher	X	X	X	X	X	X
22028	3475-0163/64	Hook Kit, Meat Pusher SS	X	X	X	X	X	X
22030	3375-00244	Spacer, Knob	X	X	X	X	X	X
22033	3875-00023	Bumper, Meat Pusher	X	X	X	X	X	X
22036	2-26-25312	Shaft, Meat Pusher 807/817 SS	X		X			
22061	4675-313	Pusher Assembly SS	X	X	X	X	X	X
22095	3875-4022	Pin, Meat Pusher Lock	X	X	X	X	X	X
22099	3275-00029	Spring, Shaft	X	X	X	X	X	X
22171	N/A	Washer, Meat Pusher Rod, 5 pk	X	X	X	X	X	X
22212	1-403375-1064	Shaft, Meat Pusher		also fits A, R, M			X	X

22099
22025
22212
Shaft Meat Pusher

Slicing Machines

Berkel Slicers

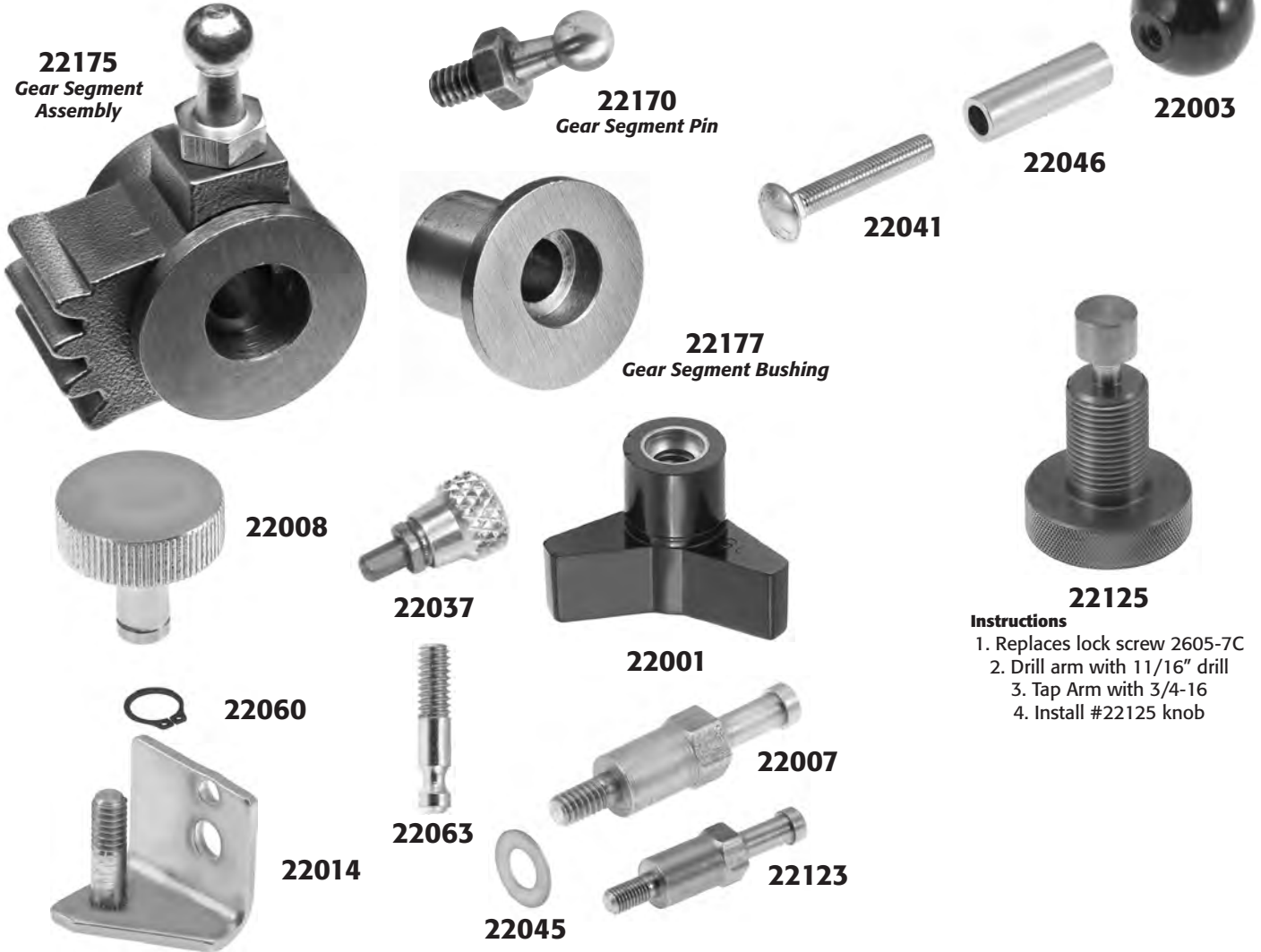


Part #	OEM #	Description	807	808	817	818	909	919	909/1	919/1	909FS	919FS	2340	2350
22005	3675-61	Shoe		X		X	X	X						
22006	3275-60	Spring Hook		X		X	X	X					X	
22009	3275-59	Hook, Foot Post		X		X	X	X					X	
22016	3275-46	Bumper Rail	X	X	X	X	X	X	X	X	X	X	X	X
22017	3375-91	Carriage Rail, SS	X		X	X	X	X	X	X	X	X	X	X
22018	2275-92	Rail Ret Ring	X		X	X	X	X	X	X	X	X	X	X
22020	A3000-1	Foot, Push In	X		X									
22021	2275-53	Bushing, Rail	X	X		X	X	X	X	X	X	X	X	X
22023	3275-61	Return Spring		X		X	X	X					X	
22026	2175-106	Set Screw, Carriage	X	X	X	X	X	X						
22032	2646-1D	Carriage Rail, SS	X		X									
22038	3375-296	Slide Rod, Gauge Plt	X	X	X	X	X	X						
22040	2175-3858	Screw Set, Gauge Base	X	X	X	X	X	X						
22042	2275-58	Bushing, Gauge Rod				X	X	X	X	X	X			
22064	2375-30	Spring Plunger				X								
22066	4575-117	Shoe, Post & Stud				X								
22069	3675-61	Shoe, No Mar		X		X	X	X						
22075	2175-121	Nut, Index Worm	X	X	X	X	X	X						
22076	2275-77	Cap, Index Knob		X		X								
22077	2175-5163	Set Screw, Worm Bush		X		X	X	X						
22083	4375-31	Carriage Roller	X	X	X	X	X	X	X	X	X	X	X	X
22085	N/A	Bushing, Index Worm		X		X	X	X						
22108	3675-72	Hole Cover, Small	X		X	X	X	X	X	X	X	X	X	X
22109	3675-71	Hole Cover, Large	X	X	X	X	X	X	X	X	X	X	X	X
22122	4575-208	Shoe Post Assy		X			X							
22126	3275-38	Spring Washer Worm		X		X								
22130	N/A	Bushing, Index Worm	X		X									
22169	N/A	Foot, 4/pk (black)	Fits same models as 22211											
22170	3375-1102	Gear Segment Pin					X	X						
22211	N/A	Foot, No Mar, Metric 4/pk (gray)	Berkel models 825, 825A, 827, 827E, 829, 839, 834, 834S; Globe Chefmate model GC12D; Fleetwood models BF300, 312, 312E, 412, 412E											



4 Berkel Slicer

Berkel Center Plate & Table Components



Part #	OEM #	Description	807	808	817	818	909	919
22001	2275-00063	Knob, Meat Table	X	X	X	X	X	X
22003	2275-00042	Knob, Meat Table Female	X	X	X	X	X	X
22007	3375-00293	Stud, Center Plate (SS)		X		X		
22008	3375-00310	Knob, Center Plate	X	X	X	X	X	X
22014	4575-00289	Mounting Bracket, Center Plate		X		X	X	X
22037	2375-139	Plunger, Center Plate					X	X
22041	2175-03277	Bolt, Meat Table	X	X	X	X	X	X
22045	3275-0030	Shim Set, Ctr Plate Stud 12 Pk	X	X	X	X		
22046	3375-00243	Spacer, Knob		X		X	X	X
22060	2275-00064	Retaining Ring	X	X	X	X	X	X
22063	3375-00291	Pin, Deflector	X	X	X	X	X	X
22123	3375-00607	Stud, Center Plate	X		X			
22125	N/A	Knob SS, Chute Arm Repair	X		X			
22170	3375-1102	Gear Segment Pin (all models)	X	X	X	X	X	X
22175	4375-196	Gear Segment Assy. (all models)	X	X	X	X	X	X
22177	3375-1070	Gear Segment Bushing (all models)	X	X	X	X	X	X

Slicing Machines

Berkel Slicers

Berkel Knife Box Parts



22014



22166



22035



22007



22123



22045



22165



22063



22167



22109



22108



Part #	OEM #	Description	807	808	817	818	909	919	2340	2350
22007	3275-0293	Stud, Center Plate, SS		X		X				
22014	4575-0289	Mounting Bracket		X		X	X	X		
22035	3875-0025	Cover Ring, Knife Box	X	X	X	X	X	X		
22045	3275-0030	Shim Set, Center Plt, 12 P	X	X	X	X				
22063	3375-0291	Pin, Deflector		X		X	X	X		
22108	3675-0072	Hole Cover, Small	X	X	X	X	X	X	X	X
22109	3675-0071	Hole Cover, Large	X	X	X	X	X	X	X	X
22123	3375-0607	Stud, Center Plate, SS	X		X					
22162	4575-0795	Cover Assembly, Knife Box	X	X	X	X				
22163	4975-0332	Knife Guard Kit		X		X				
22164	3475-0765	Cover, Knife Box					X	X	X	X
22165	3875-0138	Slice Deflector	X	X	X	X	X	X	X	X
22166	3475-0156	Upper Hinge	X	X	X	X	X	X	X	X
22167	3475-0363	Lower Hinge, SS	X	X	X	X	X	X	X	X

6 Berkel Slicer

Berkel Knife and Components



20012

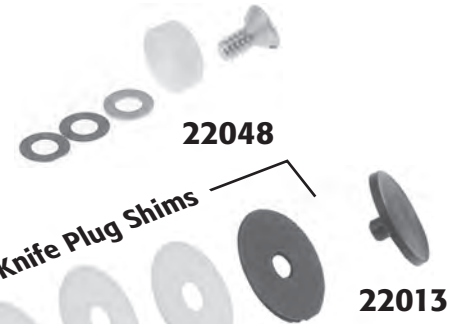


22086
Slicer Knife 12 1/2" Dia.
Stainless Steel
Models 807 through 2350

22188
Slicer Knife 12 1/2" Dia.
Hard Chrome
Models 807 through 2350



22043



22048

Knife Plug Shims

22012 Plastic
22121 Stainless Steel
Set of 12

22013



22015
Washer & Screw



22118



22094

22093



22035



22117



22116



22115



22114

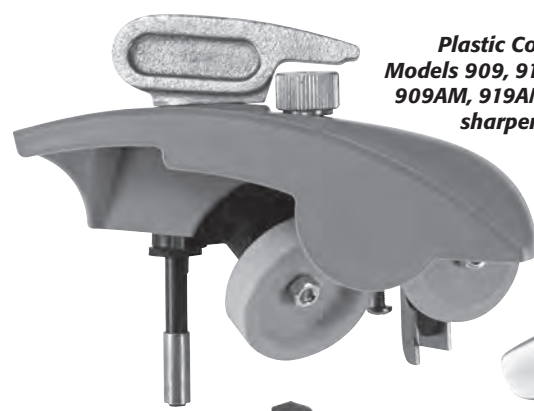
22072

Part #	OEM #	Description	807	808	817	818	909	919
20012	SC-2	Safety Cover	X	X	X	X	X	X
22012	3275-00040	Shims, (12 Pk)		X		X		
22013	3875-00024	Spacer, Plug		X		X		
22015	2175-00088 & 3375-00107	Knife Washer & Screw Assy N/S		X		X		
22035	3875-25	Cover Ring, Knife Box	X	X	X	X	X	X
22043	3375-314	Knife Bolt	X		X			
22048	4722-3A	Fiber Plug Set Knife		X		X		
22072	2275-00221	Knob, Knife Scraper	X	X	X	X		
22086	3675-00070	Slicer Knife SS, 12 1/2" Dia.	X		X			
22093	3375-00314	Knife Bolt SS					X	X
22094	3475-00781	Knife Washer, SS					X	X
22114	3875-00057	Knife Scraper		X		X		
22115	4575-00281	Juice Deflector		X		X		
22116	2175-00239	Bolt, Knife Scraper		X		X		
22117	N/A	Scraper & Deflector Assy		X		X		
22118	2175-03452	Screw, Knife Box Cover (SS)	X	X	X	X	X	X
22121	3275-00040	Shim Set SS Set Pkg 12		X		X		
22188	3675-00070	Slicer Knife HC, 12 1/2" Dia.	X	X	X	X	X	X

Slicing Machines

Berkel Slicers

Sharpener and Replacement Parts



22019
Plastic Cover (with bushing)
 Models 909, 919, 909/1, 919/1, 909FS,
 909AM, 919AM, [remove cover when
 sharpening 2340, 2350]



22182
Plastic Cover (without bushing)
 Models 909A, 909E,
 909M, 919A, 919E, 919M



22179
Sharpener Frame Kit



22178
Aluminum Cover
 Models 807, 808, 817,
 818, 834



22180
Hardware Kit



22049
Spindle Assembly



22110
Spindle Body w/Balls



22050



22053



22098



22100



22101

PART #	OEM #	Description	807	808	817	818	909	919
20002	N/A	Food Machine Lubricant						
22019	4975-409	Sharpener, w/bushing – Models 909, 919, 909/1, 919/1, 909FS, 909AM, 919AM, [remove cover when sharpening 2340, 2350]						
22049	M-0677	Spindle Assy. Grinding Stone	X	X	X	X	X	X
22050	M-0611	Spindle Assy. Truing Stone	X	X	X	X	X	X
22053	3301-03816	Spindle Lever	X	X	X	X	X	X
22098	3675-00165	Knob, Sharpener Cover	X	X	X	X		
22100	837-05004 W	Grinding Stone	X	X	X	X		
22101	834-05005	Truing Stone	X	X	X	X		
22107	N/A	Hardware Kit, Spindles	X	X	X	X	X	X
22110	N/A	Spindle Body w/Balls	X	X	X	X	X	X
22160	9241	Grind Spindle Ball Set	X	X	X	X	X	X
22178	4675-164	Sharpener – Models 807, 808, 817, 818, 834						
22179	4975-473	Sharpener Frame Kit (all models)	X	X	X	X	X	X
22180	N/A	Hardware Kit (fits all models)	X	X	X	X	X	X
22182	4675-1085	Sharpener, without bushing – Models 909A, 909E, 909M, 919A, 919E, 919M						



22107



22160

8 Berkel Slicer

Knife Pulleys & Components



Part #	OEM #	Description	807	808	817	818	909	919	2340	2350
22010	2375-15	Belt, Knife Pulley		X		X				
22011	2375-16	Belt, Power Stroke				X		X		X
22029	4375-114	Knife Pulley Assy		X		X				
22034	3375-1083	Motor Pulley, Power Stroke				X		X		X
22062	2642-3	Drive Belt	X		X					
22065	9926	Set Screw, Pulley		X		X	X	X	X	X
22073	2375-17	Drive Belt, Power Stroke			X					
22102	N/A	Motor Pulley, 1/2" Hole	X		X					
22105	2375-133	Belt, Round, Power Stroke		X		X	X	X		X
22119	N/A	Bushing, Motor Pulley	X	X	X	X	X	X	X	X
22127	2375-25	Motor Pulley 5/8" Hole		X		X				
22149	4375-192	Knife Pulley Assy					X	X	X	X
22150	3375-1099	Motor Pulley, 1/2" Hole					X	X	X	X
22151	2375-141	Belt, Knife Pulley					X	X	X	X
22152	N/A	Motor Pulley, 5/8" Hole					X	X	X	X

Pulley Belt Kit Part #22103



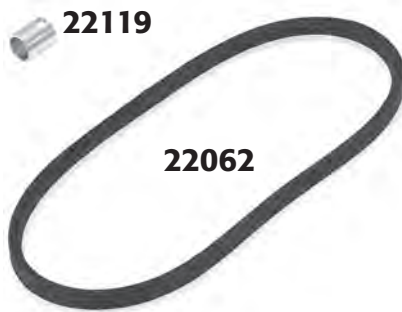
Knife Pulley Conversion Kit Part #22113

22102
Motor Pulley
Adapts 808 Motor
to 807 Machine



1. Used on all "Models."
2. Eliminates the thin belt and its problems.
3. No need to stock both style knife pulley assemblies 807 & 808.
4. Sealed motor grade bearings, (NO CHINESE BEARINGS).

Knife Pulley Conversion Kit Part #22120



22102
Motor Pulley
Adapts 808 Motor
to 807 Machine



Part #	OEM #	Description
22034	3375-01083	Motor Pulley Assembly
22062	2642-3	Drive Belt
22102	N/A	Pulley Motor
22103	4975-00335	Pulley & Round Belt Kit
22105	4975-00133	Belt, Round Polyurethane
22113	N/A	Knife Pulley Conversion Kit
22119	N/A	Bushing Motor Pulley
22120	2275-00192	Knife Pulley Kit

Electrical



22148
Old Style



22186
New Style



22147



22156



22079



22081



22132
807 & 817



22124
808
22131
818



22157
909 FS
22158
919 FS
22159
909/1



22111



22080

Motor Replacement Kits

Part #	Berkel Model #
22124	808
22131	818
22132	807, 817
22157	909 FS
22158	919 FS
22159	909/1
All motors are single speed	

No Returns on Electrical Items



22128



22129



22082



22084

Part #	OEM #	Description	807	808	817	818	909	919
22079	2675-00617	Switch, Toggle	X	X	X	X	X	X
22080	3275-00039	Motor Clamp	X	X	X	X	X	X
22081	2641-3	Micro Switch	X		X			
22082	4175-00031	Power Cord, 9 Ft.	X	X	X	X	X	X
22084	2275-00149	Clamp, Cord	X	X	X	X	X	X
22111	2675-00053	Pilot Light		X		X		
22124	4175-00029	Replacement Motor Kit		X				
22128	4575-00097	Motor Pivot Assembly		X		X		
22129	A-2621-4	Motor Pivot Assembly	X		X			
22131	4175-00029	Motor Replacement Kit				X		
22132	N/A	Motor Replacement Kit	X		X			
22147	4975-404	Switch					X	X
22148	3675-259	Boot, Old Style					X	X
22156	2675-753	Relay					X	X
22157	4175-058	Motor, 909 FS					X	
22158	4175-0588	Motor, 919 FS						X
22159	4975-0386	Motor, 909/1 Single Speed Only					X	
22186	3675-259	Boot, New Style					X	X

Slicing Machines

Berkel Slicers

Repair Kit #22112 For Models 808 & 818



22013
Spacer Plug



22004
*Knob,
Meat Pusher Shaft*



22016
Bumper, Rail



22012
Shim Set (12 Pk)



22101
Truing Stone



22100
Grinding Stone



22001
*Knob,
Meat Table*



22083
Carriage Roller



22079
Switch



22010
*Belt,
Knife Pulley*



22114
Knife Scraper



22099
*Spring,
Meat Pusher Shaft*



22005
Shoe



Part #	OEM #	Description	150	170	180	180D	180FA	180GS
22104	A6002-1D	Lower Stud & Bearing	X	X	X			
22106	4675-203	Upper Stud & Block	X	X	X			
22134	6204-1E	Hold Down Clip		X		X		
22135	6006-1C	Pin, Fly Lever Crank		X	X			
22136	A6201-16G	Roller & Bearing Assembly		X	X	X	X	
22137	3375-0130	Track Bolt Assembly			X			
22138	10034-S	Conveyer Feed Screw	X	X	X			
22139	10627-S	Conveyer Needle	X	X	X			
22141	6002-1F	Pivot Pin			X			
22142	3375-52	Center Pin			X			
22143	10245	Shoulder Bolt, Left Hand		X				
22144	2275-0005	Knob Female				X	X	X
22145	2275-0006	Knob, Knife Guard, Feed				X	X	X
22153	4375-0003	Knife Bearing				X		
22161	10245	Shoulder Bolt			X	X	X	X



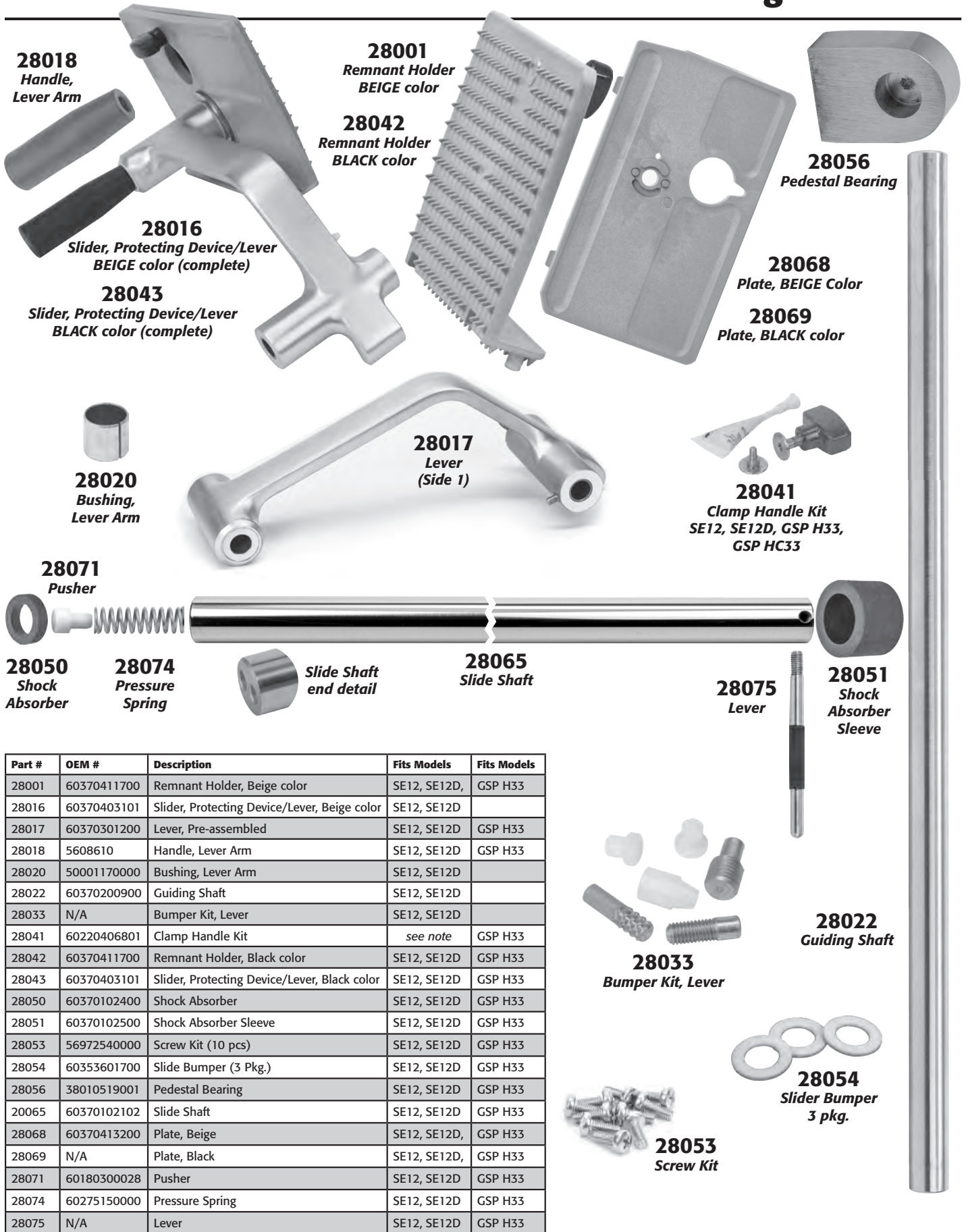
22141



22143
Model 170
22161
Model 180

Bizerba® Slicers

Slicing Machines



28018
Handle,
Lever Arm

28001
Remnant Holder
BEIGE color

28042
Remnant Holder
BLACK color

28056
Pedestal Bearing

28016
Slider, Protecting Device/Lever
BEIGE color (complete)

28043
Slider, Protecting Device/Lever
BLACK color (complete)

28068
Plate, BEIGE Color

28069
Plate, BLACK color

28020
Bushing,
Lever Arm

28017
Lever
(Side 1)

28041
Clamp Handle Kit
SE12, SE12D, GSP H33,
GSP HC33

28071
Pusher

28050
Shock
Absorber

28074
Pressure
Spring

**Slide Shaft
end detail**

28065
Slide Shaft

28075
Lever

28051
Shock
Absorber
Sleeve

Part #	OEM #	Description	Fits Models	Fits Models
28001	60370411700	Remnant Holder, Beige color	SE12, SE12D,	GSP H33
28016	60370403101	Slider, Protecting Device/Lever, Beige color	SE12, SE12D	
28017	60370301200	Lever, Pre-assembled	SE12, SE12D	GSP H33
28018	5608610	Handle, Lever Arm	SE12, SE12D	GSP H33
28020	50001170000	Bushing, Lever Arm	SE12, SE12D	
28022	60370200900	Guiding Shaft	SE12, SE12D	
28033	N/A	Bumper Kit, Lever	SE12, SE12D	
28041	60220406801	Clamp Handle Kit	see note	GSP H33
28042	60370411700	Remnant Holder, Black color	SE12, SE12D	GSP H33
28043	60370403101	Slider, Protecting Device/Lever, Black color	SE12, SE12D	GSP H33
28050	60370102400	Shock Absorber	SE12, SE12D	GSP H33
28051	60370102500	Shock Absorber Sleeve	SE12, SE12D	GSP H33
28053	56972540000	Screw Kit (10 pcs)	SE12, SE12D	GSP H33
28054	60353601700	Slide Bumper (3 Pkg.)	SE12, SE12D	GSP H33
28056	38010519001	Pedestal Bearing	SE12, SE12D	GSP H33
20065	60370102102	Slide Shaft	SE12, SE12D	GSP H33
28068	60370413200	Plate, Beige	SE12, SE12D,	GSP H33
28069	N/A	Plate, Black	SE12, SE12D,	GSP H33
28071	60180300028	Pusher	SE12, SE12D	GSP H33
28074	60275150000	Pressure Spring	SE12, SE12D	GSP H33
28075	N/A	Lever	SE12, SE12D	GSP H33

28033
Bumper Kit, Lever

28022
Guiding Shaft

28053
Screw Kit

28054
Slider Bumper
3 pkg.



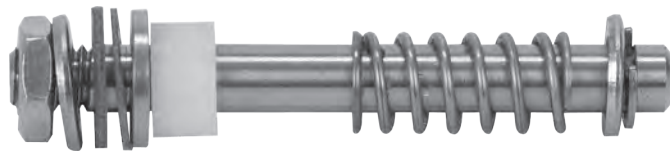
28002
Sharpener Assembly
for SE12, SE12D



28064
Sharpener Assembly
for GSP H33



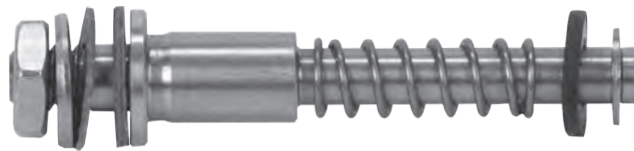
28009
Star Knob, Sharpener



28013
Sharpening Shaft Assembly



28015
Bearing Bolt



28014
Honing Shaft Assembly



28011
Hand Wheel



28007
Sharpening Stone



28008
Honing Stone



28010
Hardware Kit, Sharpener

Part #	OEM #	Description	Fits Models	Fits Models
28002	60370800100	Sharpener Assembly	SE12, SE12D	
28007	60223401000	Sharpening Stone	SE12, SE12D	GSP H33
28008	60223401100	Honing Stone	SE12, SE12D	GSP H33
28009	60510700015	Star Knob, Sharpener	SE12, SE12D	GSP H33
28010	N/A	Hardware Kit, Sharpener	SE12, SE12D	GSP H33
28011	40220600800	Hand Wheel, Adjusting Knob	SE12, SE12D	GSP H33
28013	60220600500	Sharpening Shaft Assembly	SE12, SE12D	GSP H33
28014	60220600700	Honing Shaft Assembly	SE12, SE12D	GSP H33
28015	60220600600	Bearing Bolt, Sharpener	SE12, SE12D	GSP H33
28064	38010259000	Sharpener Assembly		GSP H33

For Models SE12



28049
Bearing Drive Assy



Bearing Drive



28067
Sealing Ring



Hardware Kit

Included with Bearing Drive Assembly 28049

For Models GSP H33



28066
Bearing Drive Assy



Bearing Drive



28067
Sealing Ring



Hardware Kit

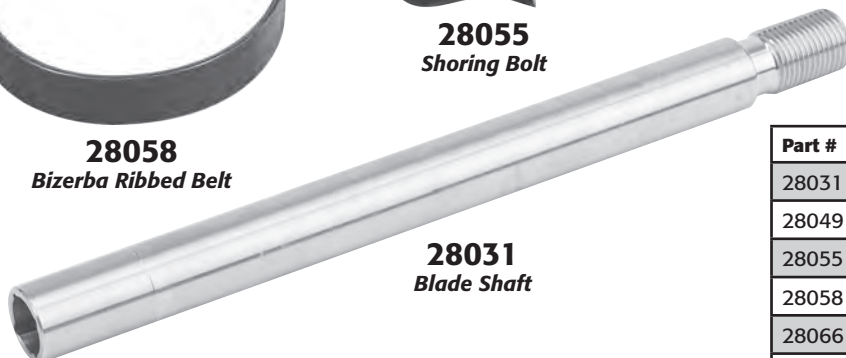
Included with Bearing Drive Assembly 28066



28058
Bizerba Ribbed Belt



28055
Shoring Bolt



28031
Blade Shaft

Part #	OEM #	Description	Fits Models
28031	60370104401	Blade Shaft	SE12, SE12D
28049	60370703801	Bearing Drive Assy	SE12, SE12D
28055	38002106000	Shoring Bolt	GSP H33, HC33
28058	60370114000	Ribbed Belt	SE & GSP
28066	38002269000	Bearing Drive Assy	GSP H33, HC33
28067	60370104200	Sealing Ring	SE & GSP

Slicing Machines

Bizerba® Slicers

For Models GSP H33



28045
Lock Knife Guard, Bizerba



28046
Long Bolt Kit



28052
Star Knob w/Nut



28053
*Screw Kit
10 PCS PKG*

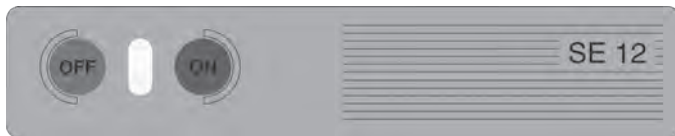
For Models SE12



28060
Thrust Washer

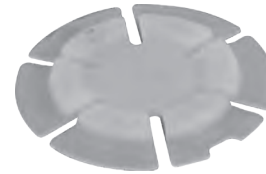


28063
Distance Washer



28062
Bizerba SE12 Label

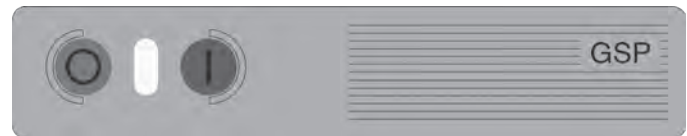
For Models GSP H33



28060
Thrust Washer



28063
Distance Washer



28061
Bizerba GSP Label

Part #	OEM #	Description	Fits Models
28045	38007856002	Lock, Knife Guard	GSP H33, HC33
28046	N/A	Long Bolt Kit	GSP H33, HC33
28052	60201204601	Star Knob W/Nut	GSP H33, HC33
28053	N/A	Hardware Kit, 10 PCS PKG	GSP H33, HC33
28060	60666401100	Thrust Washer	SE & GSP
28061	60376400201	On/Off Label	GSP H33, HC33
28062	60376400300	On/Off Label	SE12, SE12D
28063	60276401100	Distance Washer	SE & GSP

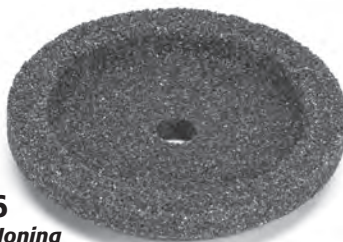


28026
Slicer Knife,
Hard Chrome

28027
Slicer Knife,
Stainless Steel



28006
Sharpening/Honing
Stones
Kit



28007
Sharpening
Stone



28008
Honing
Stone

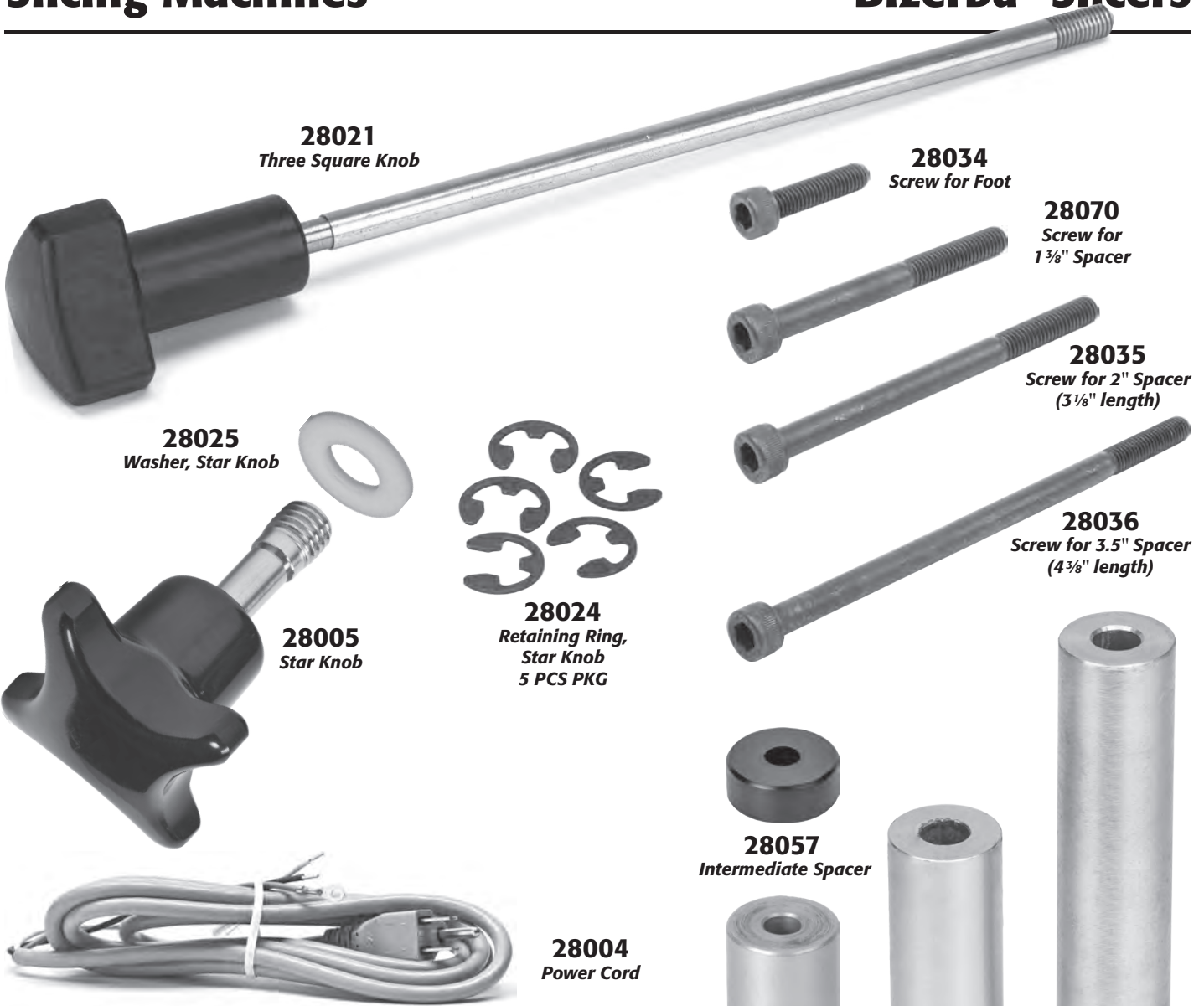


28023
Knife Screws
4 PCS PKG

Part #	OEM #	Description	Fits Models
28006	40220601600	Stone Set	SE12, SE12D
28007	60223401000	Sharpening Stone	SE12, SE12D
28008	60223401100	Honing Stone	SE12, SE12D
28023	57630620000	Knife Screws, 4pk	SE12, SE12D
28026	60530101500	Slicer Knife, Hard Chrome	SE12, SE12D, GSP H33
28027	60530101500	Slicer Knife, Stainless Steel	SE12, SE12D, GSP H33
28031	60370104401	Blade Shaft	SE12, SE12D

Slicing Machines

Bizerba® Slicers



Part #	OEM #	Description	Fits Models	Models
28004	40300057700	Power Cord	SE12, SE12D	GSP H33
28005	60800204600	Star Knob	SE12, SE12D	
28019	60610000124	Foot	SE12, SE12D	GSP H33
28021	60370112500	Three Square Knob	SE12, SE12D	
28024	57753800000	Retaining Ring, Star Knob, 5pk	SE12, SE12D	
28025	56768100000	Plastic Washer, Star Knob	SE12, SE12D	GSP H33
28029	60350005100	Foot Spacer, 2"	SE12, SE12D	
28030	60374701200	Foot Spacer, 3.5"	SE12, SE12D	
28034	57743440000	Screw for Foot	SE12, SE12D	
28035	57743540000	Screw for 2" Spacer	SE12, SE12D	GSP H33
28036	57736820000	Screw for 3.5" Spacer	SE12, SE12D	GSP H33
28057	60370107600	Intermediate Spacer		GSP H33
28059	N/A	Foot, No Mar	SE12, SE12D	GSP H33
28070	57743461000	Screw for 1 3/8" Spacer		GSP H33
28073	N/A	Foot Spacer, 1 3/8"		GSP H33



End Weights for All Globe Slicers



32024
End Weight, w/prongs
chrome



32156
End Weight, w/prongs SS

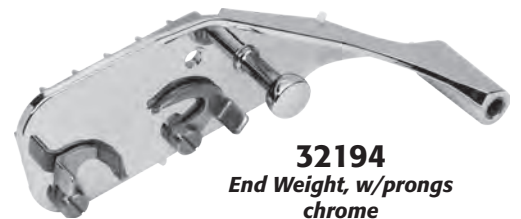
32026



32192
End Weight, no prongs
chrome



32193
End Weight, no prongs
chrome



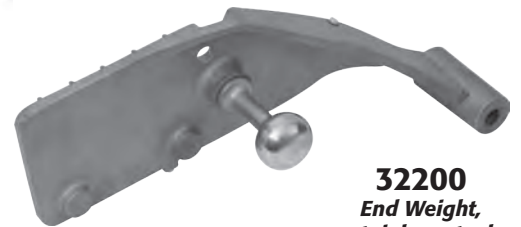
32194
End Weight, w/prongs
chrome



32191
Prong Set, Stainless Steel



32199
End Weight, w/prongs SS



32200
End Weight,
stainless steel



32190
Handle,
End Weight

Part #	OEM #	Description	Models
32024	741-APC-AS	End Weight, Chrome, w/Prongs	Fits models up to 825
32026	741-PC-2/3	Prong Set, Stainless Steel	Fits models up to 825
32156	N/A	End Weight w/Prongs, Stainless Steel	Fits models up to 825
32190	N/A	Handle, End Weight	Fits all PAPCO Chrome End Weights
32191	741-SS4	Prong Set, Stainless Steel	Fits models 2500 thru 4975
32192	741-AS	End Weight, Chrome, No Prongs	Fits models up to 825
32193	N/A	End Weight, Chrome, No Prongs	Fits Models 2500 thru 4975
32194	N/A	End Weight, Chrome, w/Prongs	Fits Models 2500 thru 4975
32199	741-SS-APC	End Weight, Stainless Steel, w/Prongs	Fits Models 2500 thru 4975
32200	741-SS1	End Weight, Stainless Steel, Less Prongs	Fits Models 2500 thru 4975

Slicing Machines

Globe Slicers

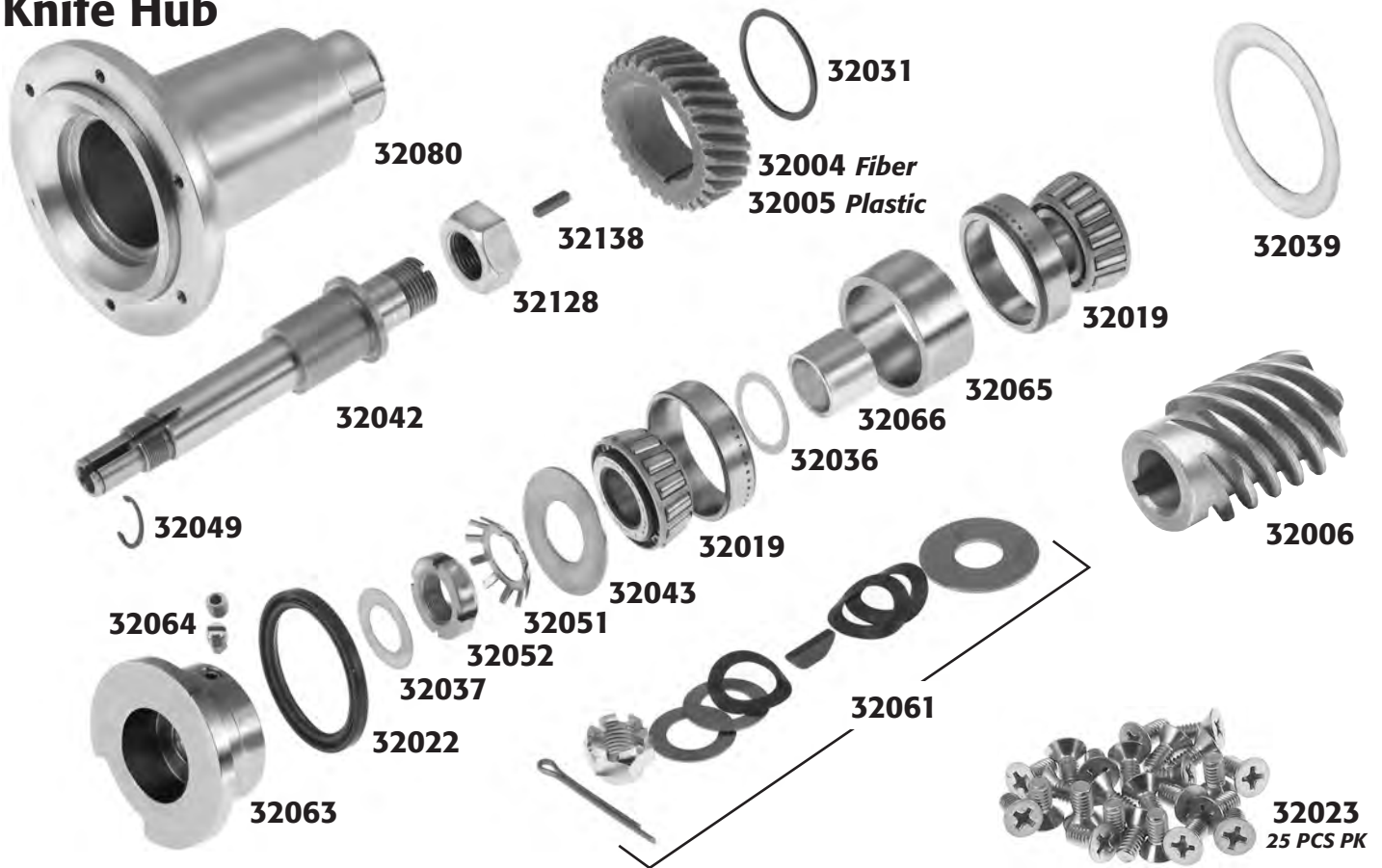
End Weight Components



Part #	OEM #	Description	75	150	285	300	400	500	510	610	660	685	710	715	720	725	760	765	770	775	815	820	825		
32027	741-PC5, 6	Prong Fastener (SS)	X	X	X	X	X	XL	X	X	X	X	X	X	X	XL	X	X	X	XL	X	X	XL		
32028	741-4/5A	Bumper	X	X	X	X	X	XL	X	X	X	X	X	X	X	XL	X	X	X	XL	X	X	XL		
32029	312-291	Slide Bushing (Bronze)	X	X	X	X	X	XL	X	X	X	X	X	X	X	XL	X	X	X	XL	X	X	XL		
32030	741-3	Handle & Stud		X	X	X	X	XL	X	X	X	X	X	X	X	XL		X	X	XL	X	X	XL		
32050	741-3H	Heavy Handle	X	X	X	X	X	X	X	X	X	X	X	X	X	X	X	X	X	X	X	X	X		
32108	741-3A+2B	Stud & Nut			X	X	X	XL				X		X	X	XL		X	X	XL	X	X	XL		
32125	499	Button		X	X	X	X	XL	X	X	X	X	X	X	X	XL	X	X	X	XL	X	X	XL		
32136	741-3A	Stud, End Weight			X	X	X	XL				X		X	X	XL		X	X	XL	X	X	XL		
32141	N/A	Bumper Set, 3/16", 10-pack	X	X	X	X	X	X	X	X	X	X	X	X	X	X	X	X	X	X	X	X	X		
32172	741-3	Handle & Stud (SS)		X	X	X	X	XL	X	X	X	X	X	X	X	XL		X	X	XL	X	X	XL		
32173	741-3A+2B	Stud & Nut (SS)			X	X	X	XL				X		X	X	XL		X	X	XL	X	X	XL		
32174	499	Button (SS)		X	X	X	X	XL	X	X	X	X	X	X	X	XL	X	X	X	XL	X	X	XL		
32175	741-2	Stud, End Weight (SS)			X	X	X	XL				X		X	X	XL		X	X	XL	X	X	XL		
32176	N/A	Bushing, End Weight			X	X	X	XL				X		X	X	XL		X	X	XL	X	X	XL		
32202	N/A	Transition Stud – Allows handles 32030, 32050, 32172 to be used on end weights 32193, 32194, 32199, 32200																							

2 Globe Slicer

Knife Hub



Part #	OEM #	Description	75	150	285	300	400	500	510	610	660	685	710	715	720	725	760	765	770	775	815	820	825
32004	747-17	Gear (Fiber)	X	X	X	X	X	XL	X	X	X	X	X	X	X	XL	X	X	X	XL	X	X	XL
32005	747-17N	Gear (Plastic)	X	X	X	X	X	XL	X	X	X	X	X	X	X	XL	X	X	X	XL	X	X	XL
32006	373	Motor Gear	X	X	X	X	X	XL	X	X	X	X	X	X	X	XL	X	X	X	XL	X	X	XL
32019	747-5	Bearing, Knife Hub			X	X	X	XL				X		X	X	XL		X	X	XL	X	X	XL
32022	747-10	Seal, Knife Plate			X	X	X	XL	X	X	X	X	X	X	X	XL	X	X	X	XL	X	X	XL
32023	261	Screws SS (25 Pcs)	X	X	X	X	X	XL	X	X	X	X	X	X	X	XL	X	X	X	XL	X	X	XL
32031	747-16	Lock Ring	X	X	X	X	X	XL				X		X	X	XL	X	X	X	XL	X	X	XL
32036	747-6	Shim Set (12 Pcs)			X	X	X	XL				X		X	X	XL	X	X	X	XL	X	X	XL
32037	747-9	Shim (12 Pcs)			X	X	X	XL					X	X	X	XL	X	X	X	XL	X	X	XL
32039	381-A	Ring Knife Shim Set	X	X					X	X	X	X					X						
32042	747-1SR	Shaft, Knife Hub			X	X	X	XL				X		X	X	XL		X	X	XL	X	X	XL
32043	747-7	Washer			X	X	X	XL				X		X	X	XL		X	X	XL	X	X	XL
32049	747-19	Snap Ring			X	X	X	XL				X		X	X	XL		X	X	XL	X	X	XL
32051	747-13	Lock Washer			X	X	X	XL				X		X	X	XL		X	X	XL	X	X	XL
32052	747-14	Nut, Knife Shaft			X	X	X	XL				X		X	X	XL		X	X	XL	X	X	XL
32061	N/A	Hardware Set			X	X	X	XL				X		X	X	XL		X	X	XL	X	X	XL
32063	747-2	Coupling			X	X	X	XL				X		X	X	XL		X	X	XL	X	X	XL
32064	747-11	Set Screw & Key			X	X	X	XL				X		X	X	XL		X	X	XL	X	X	XL
32065	747-4	Spacer, (Large)			X	X	X	XL				X		X	X	XL		X	X	XL	X	X	XL
32066	747-3	Spacer, (Small)			X	X	X	XL				X		X	X	XL		X	X	XL	X	X	XL
32080	N/A	Hub, Knife Plate			X	X	X	XL				X		X	X	XL		X	X	XL	X	X	XL
32128	747-8	Nut, Knife Shaft	X	X	X	X	X	XL	X	X	X	X	X	X	X	XL	X	X	X	XL	X	X	XL
32138	747-18	Key, Knife Hub (6 Pcs)	X	X	X	X	X	XL	X	X	X	X	X	X	X	XL	X	X	X	XL	X	X	XL

Slicing Machines

Globe Slicers

Knife Plate Hubs



Rebuilt hubs require the receipt of your hub, so that we can "Rebuild" this part.



32145
*Tool Set,
Knife Hub Bearing
(3 pcs.)*

This tool is specially designed to remove and install knife hub main bearings.

For old style solid knife hub

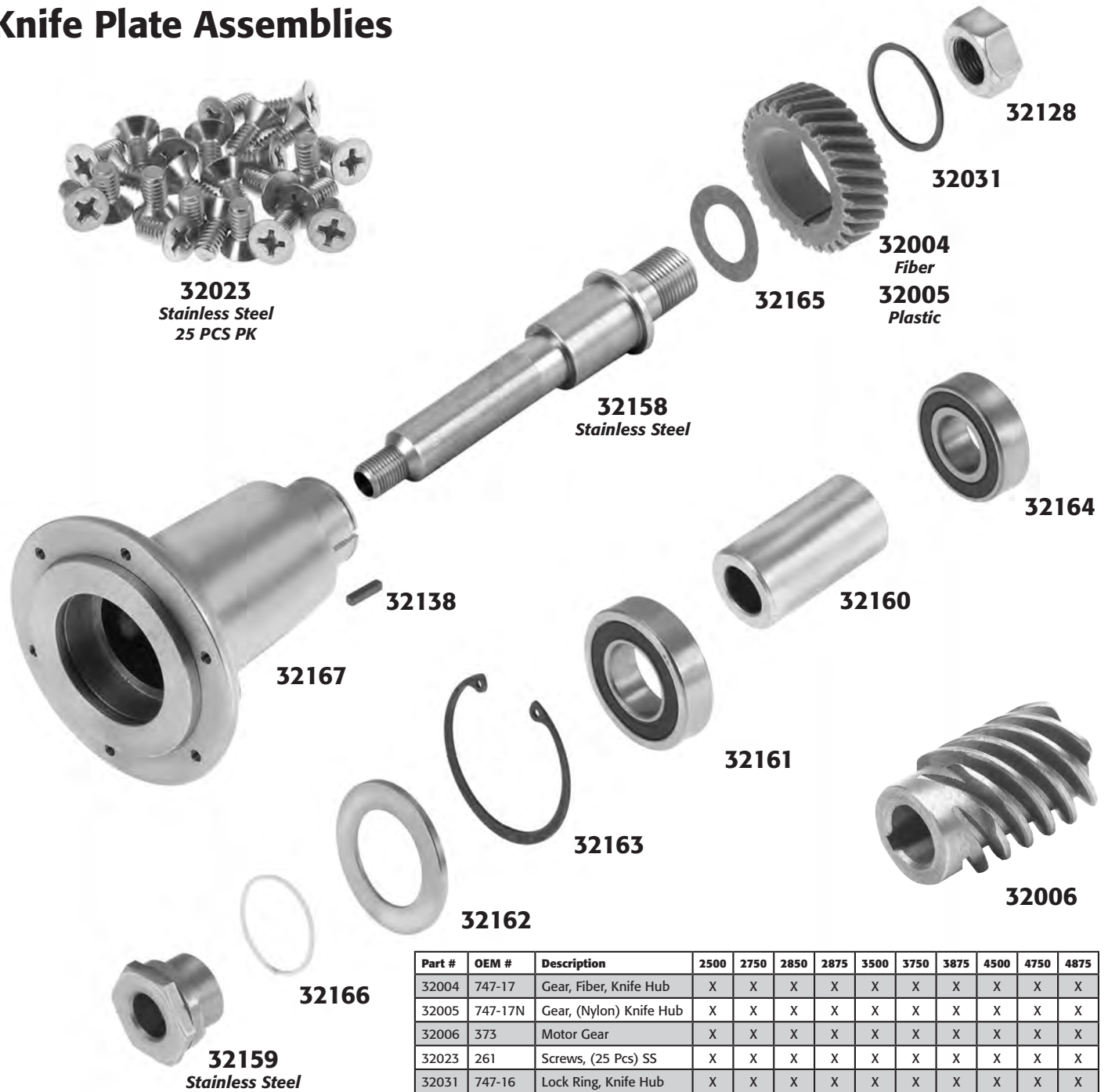
For new style solid knife hub

32146

Part #	OEM #	Description	75	150	285	300	400	500	510	610	660	685	710	715	720	725	760	765	770	775	815	820	825
32062	747-AS	Knife Plate Assy, New	X	X	X	X	X	XL				X		X	X	XL		X	X	XL	X	X	XL
32062R	N/A	Knife Plate Assy, Rebuilt	X	X	X	X	X	XL				X		X	X	XL		X	X	XL	X	X	XL
32145	N/A	Tool Set	X	X	X	X	X	XL	X	X	X	X	X	X	X	XL	X	X	X	XL	X	X	XL
32146	N/A	Wrench			X	X	X	XL				X	X	X	X	XL	X	X	X	XL	X	X	XL
32186	N/A	Knife Plate Assy, Nylon		X	X	X	X	XL				X		X	X	XL		X	X	XL	X	X	XL

4 Globe Slicer

Knife Plate Assemblies



Part #	OEM #	Description	2500	2750	2850	2875	3500	3750	3875	4500	4750	4875
32004	747-17	Gear, Fiber, Knife Hub	X	X	X	X	X	X	X	X	X	X
32005	747-17N	Gear, (Nylon) Knife Hub	X	X	X	X	X	X	X	X	X	X
32006	373	Motor Gear	X	X	X	X	X	X	X	X	X	X
32023	261	Screws, (25 Pcs) SS	X	X	X	X	X	X	X	X	X	X
32031	747-16	Lock Ring, Knife Hub	X	X	X	X	X	X	X	X	X	X
32128	747-8	Nut, Knife Shaft	X	X	X	X	X	X	X	X	X	X
32138	747-18	Key, Gear (6 Pkg)	X	X	X	X	X	X	X	X	X	X
32158	972-2P	Shaft, Knife Hub SS	X	X	X	X	X	X	X	X	X	X
32159	972-3P	Lock Nut SS	X	X	X	X	X	X	X	X	X	X
32160	972-4P	Spacer, Bearing	X	X	X	X	X	X	X	X	X	X
32161	972-5P	Bearing (Large)	X	X	X	X	X	X	X	X	X	X
32162	972-6P	Bearing Cover SS	X	X	X	X	X	X	X	X	X	X
32163	972-7P	Ring, Retaining	X	X	X	X	X	X	X	X	X	X
32164	972-8P	Bearing (Small)	X	X	X	X	X	X	X	X	X	X
32165	972-9P	Gasket, Knife Shaft	X	X	X	X	X	X	X	X	X	X
32166	972-10P	"O" Ring, Knife Shaft	X	X	X	X	X	X	X	X	X	X
32167	972-1P	Hub, Knife Plate	X	X	X	X	X	X	X	X	X	X

Slicing Machines

Globe Slicers

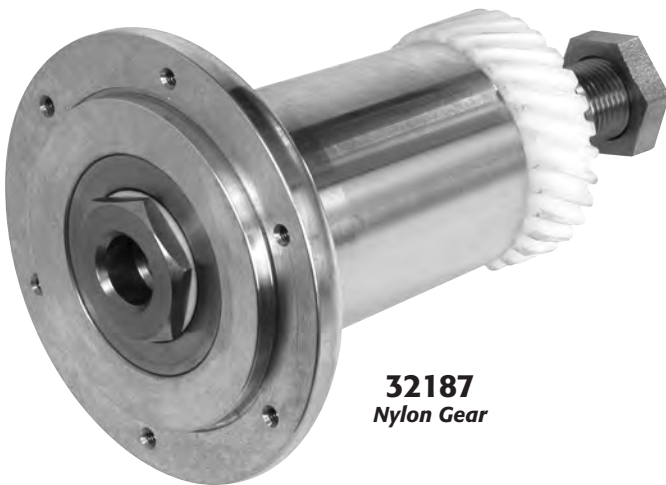
Knife Plate Hubs



32168
Fiber Gear



32169
Rebuilt



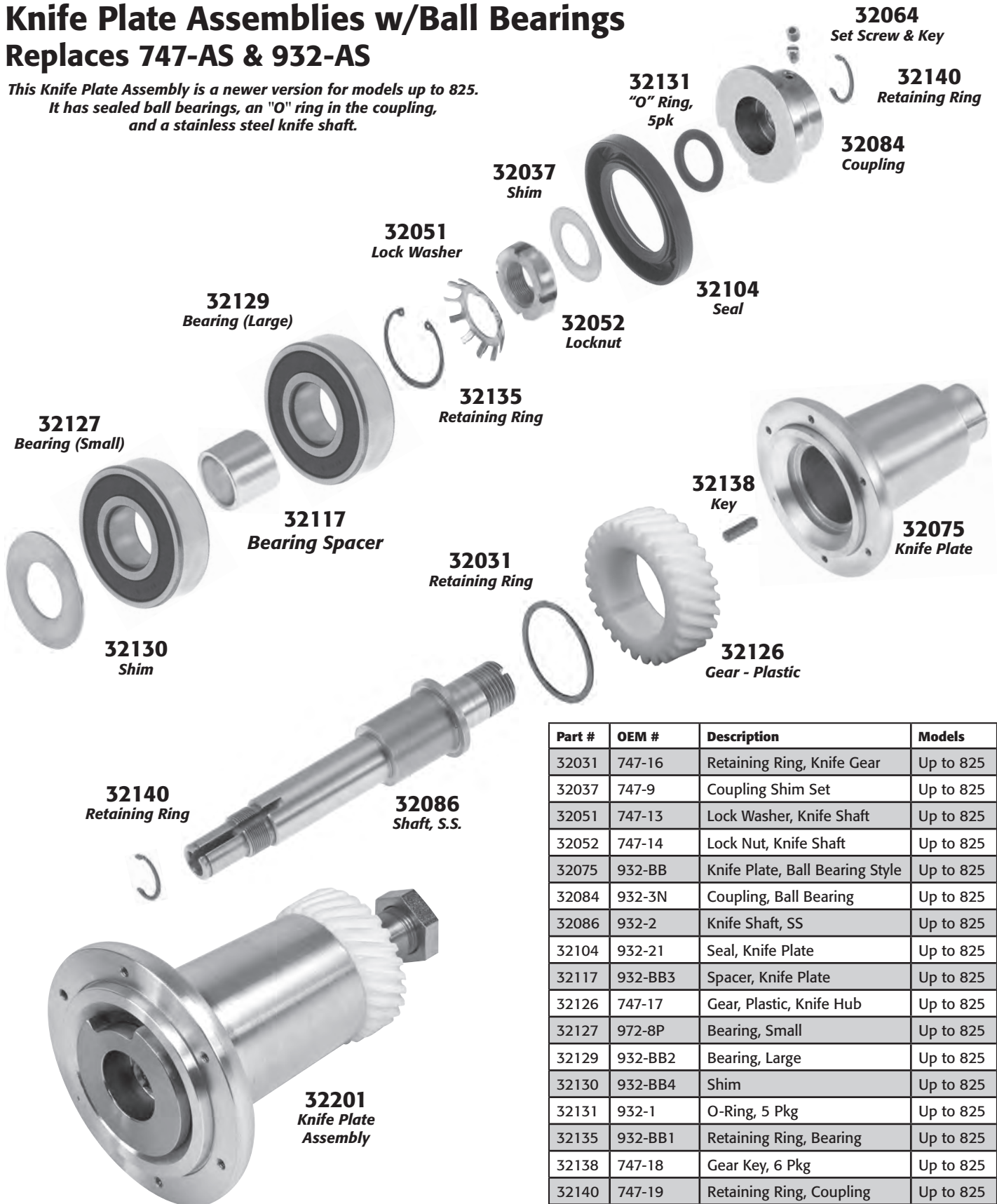
32187
Nylon Gear

Part #	OEM #	Description	2500	2750	2850	2875	3500	3750	3875	4500	4750	4875
20002	N/A	Food Machine Lubricant	X	X	X	X	X	X	X	X	X	X
32168	972-P-AS	Hub Assembly Knife Plate	X	X	X	X	X	X	X	X	X	X
32169	N/A	Hub Knife Plate Assy Rebuilt	X	X	X	X						
32187	972-P-AS-2	Knife Plate Hub Assy, Nylon	X	X	X	X	X	X	X	X	X	X

6 Globe Slicer

Knife Plate Assemblies w/ Ball Bearings Replaces 747-AS & 932-AS

This Knife Plate Assembly is a newer version for models up to 825. It has sealed ball bearings, an "O" ring in the coupling, and a stainless steel knife shaft.



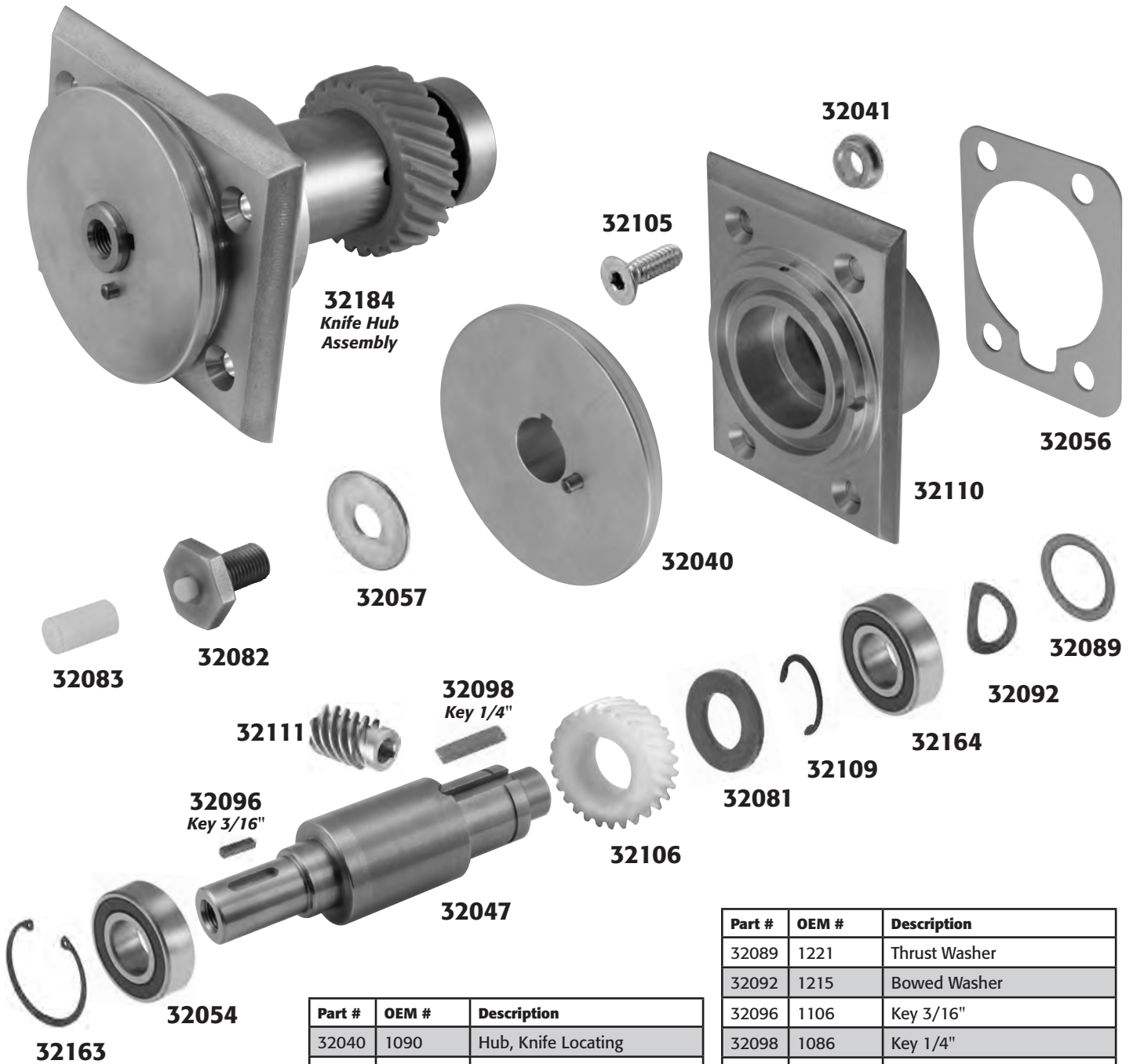
Part #	OEM #	Description	Models
32031	747-16	Retaining Ring, Knife Gear	Up to 825
32037	747-9	Coupling Shim Set	Up to 825
32051	747-13	Lock Washer, Knife Shaft	Up to 825
32052	747-14	Lock Nut, Knife Shaft	Up to 825
32075	932-BB	Knife Plate, Ball Bearing Style	Up to 825
32084	932-3N	Coupling, Ball Bearing	Up to 825
32086	932-2	Knife Shaft, SS	Up to 825
32104	932-21	Seal, Knife Plate	Up to 825
32117	932-BB3	Spacer, Knife Plate	Up to 825
32126	747-17	Gear, Plastic, Knife Hub	Up to 825
32127	972-8P	Bearing, Small	Up to 825
32129	932-BB2	Bearing, Large	Up to 825
32130	932-BB4	Shim	Up to 825
32131	932-1	O-Ring, 5 Pkg	Up to 825
32135	932-BB1	Retaining Ring, Bearing	Up to 825
32138	747-18	Gear Key, 6 Pkg	Up to 825
32140	747-19	Retaining Ring, Coupling	Up to 825
32201	932-BB-AS	Knife Plate Assembly	Up to 825

Slicing Machines

Globe Slicers

Bearing Assembly

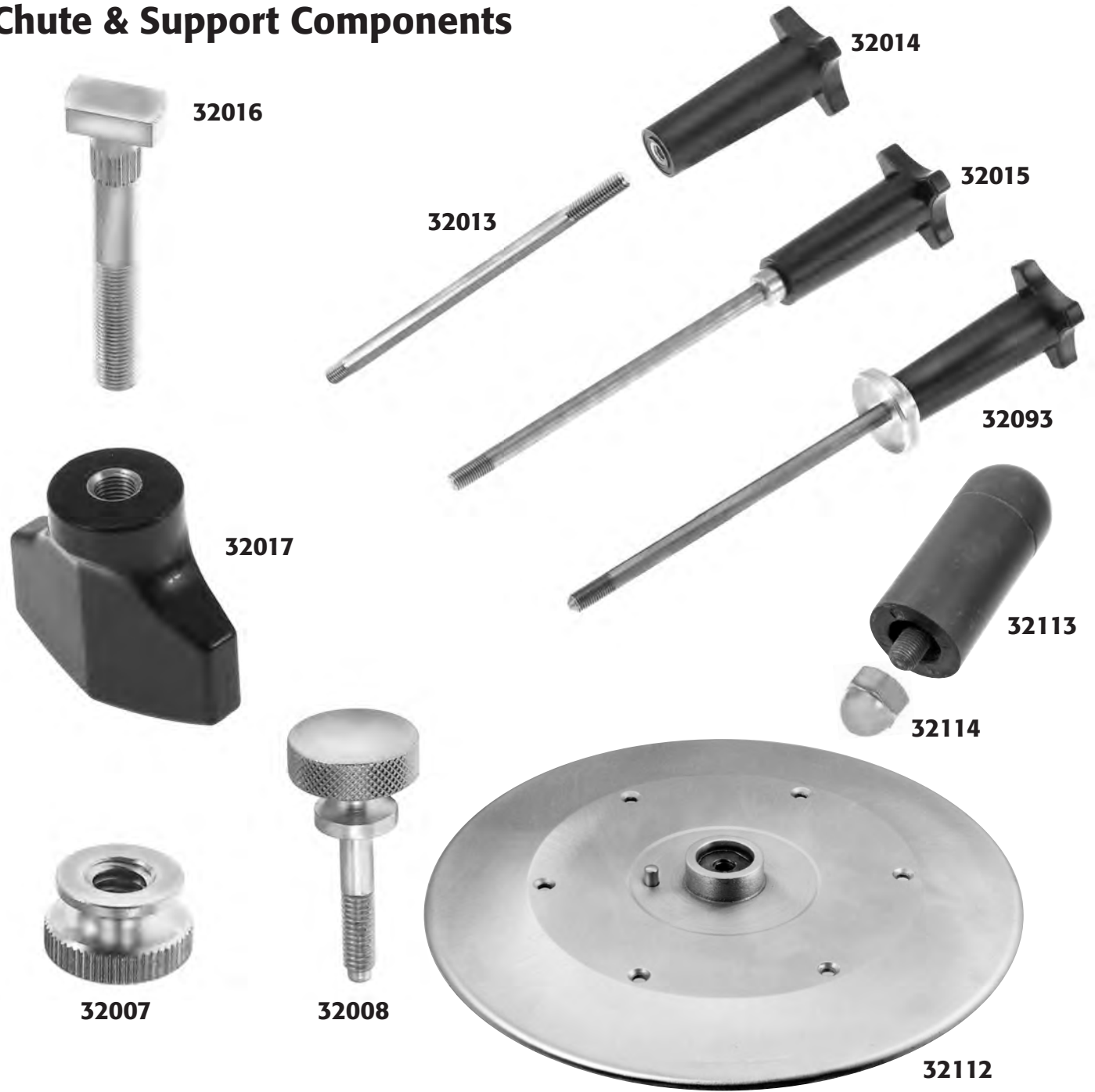
Fits Models 3600, 3850, 3975



Part #	OEM #	Description
32040	1090	Hub, Knife Locating
32041	1237	Standoff
32047	1085	Knife Shaft
32054	972-5P	Bearing, Large
32056	1241	Gasket, Bearing Assembly
32057	1092	Flat Washer
32081	1083	Spacer
32082	1195	Knife Bolt Assembly
32083	1193	Plug

Part #	OEM #	Description
32089	1221	Thrust Washer
32092	1215	Bowed Washer
32096	1106	Key 3/16"
32098	1086	Key 1/4"
32105	N/A	Screw, Bearing Housing 4/pk
32106	1084	Gear, Nylon HD
32109	1087	Retaining Ring, "C" Style
32110	1037	Upper Bearing Housing
32111	410020-S	Worm Gear, Motor
32163	972-7P	Retaining Ring
32164	972-8P	Bearing, Small
32184	1094	Knife Hub Assembly

Chute & Support Components



Part #	OEM #	Description	75	150	285	300	400	500	510	610	660	685	710	715	720	725	760	765	770	775	815	820	825	2500	2875V	2850V	3500	3600	3750	3875V	4500	4750	4875			
32007	263	Knob, Upper Knife Guard		X	X				X	X	X	X	X	X			X	X		X																
32008	652/817	Screw Assembly Knife Guard		X	X				X	X	X	X	X	X			X	X		X																
32013	652/817	Stud, Center Plate	X	X	X	X	X		X	X	X	X	X	X	X	X	X	X		X	X	X														
32014	381-A	Knob, Center Plate Support	X	X	X	X	X	X	X	X	X	X	X	X	X	X	X	X	X	X	X	X	X	X	X	X	X	X	X	X	X	X	X	X	X	
32015	829-1, 2, 3, 4	Knob & Shaft, Cntr Plate Support	X	X	X	X	X	X	X	X	X	X	X	X	X	X	X	X	X	X	X	X	X	X	X	X	X	X	X	X	X	X	X	X	X	X
32016	829-2	T-bolt, Chute Support		X	X	X	X	X	X	X	X	X	X	X	X	X	X	X	X	X	X	X	X	X	X	X	X	X	X	X	X	X	X	X	X	X
32017	728-B	Hopper Nut / Support Nut	X	X	X	X	X	X	X	X	X	X	X	X	X	X	X	X	X	X	X	X	X	X	X	X	X	X	X	X	X	X	X	X	X	X
32093	879-AS	Interlock Assembly, Knife Guard													X						X		X	X	X	X	X	X	X	X	X	X	X	X	X	
32112	384-3	Center Plate Support	X	X	X	X	X	X	X	X	X	X	X	X	X	X	X	X	X	X	X	X	X	X	X	X	X	X	X	X	X	X	X	X	X	X
32113	482B	Chute Handle	X	X	X	X	X	X	X	X	X	X	X	X	X	X	X	X	X	X	X	X	X	X	X	X	X	X	X	X	X	X	X	X	X	X
32114	69932	Acorn Nut	X	X	X	X	X	X	X	X	X	X	X	X	X	X	X	X	X	X	X	X	X	X	X	X	X	X	X	X	X	X	X	X	X	X

Slicing Machines

Globe Slicers

Knife Cover & Rim Guard Components



32069

Center Plate Support Repair Clip
Requires welding to center plate support



32115

Models 3600, 3750, 3975



32025

2 ea. Required



32072



32032



Part #	OEM #	Description	Models
32018	942-2	Guard, Upper Rim	2500, 2850V, 2875V, 3500, 3750, 3875V, 4500, 4750, 4875V, All "LR" Models
32020	942-1	Guard, Lower Rim	2500, 2850V, 2875V, 3500, 3750, 3875V, 4500, 4750, 4875V, All "LR" Models
32021	942-3	Screw, Rim Guard Hinge	2500, 2850V, 2875V, 3500, 3750, 3875V, 4500, 4750, 4875V, All "LR" Models
32025	943-2	Knob, Knife Cover	2500, 2850V, 2875V, 3500, 3750, 3875V, 4500, 4750, 4875V, All "LR" Models
32032	726-6	Screw, Cover Knob	S2500, 2850V, 2875V, 3500, 3750, 3875V, 4500, 4750, 4875V
32033	942-AS	Rim Guard Assembly	2500, 2850V, 2875V, 3500, 3750, 3875V, 4500, 4750, 4875V, All "LR" Models
32069	N/A	Clip, Center Plate Repair	All Models
32072	955-2	Hub, Knife Cover	All "LR" Models
32115	1056	Cover Knob, Spring Loaded	3600, 3850, 3975
32170	214-1	Hub, Nut SS	2500, 2850V, 2875V, 3500, 3750, 3875V, 4500, 4750, 4875V, All "LR" Models
32171	973-1C	Hub, Knife Cover	2500, 2850V, 2875V, 3500, 3750, 3875V, 4500, 4750, 4875V
32198	821-4	Knob, Upper Rim Guard	2500, 2850V, 2875V, 3500, 3750, 3875V, 4500, 4750, 4875V, All "LR" Models

32033
Rim Guard Assembly
INCLUDES:
32018
32020
32021
32170
32171

10 Globe Slicer

Slicer Knives & Components

32009

11½ in. diameter
Hard Chrome
3 Mounting Holes
(not shown)

Fits models 3600,
3850, 3975, 4600,
4850, 4975

32116

11½ in. diameter
Stainless Steel
3 Mounting Holes
(not shown)

Fits models 3600,
3850, 3975, 4600,
4850, 4975

32003

11½ in. diameter
Hard Chrome
6 Mounting Holes
(as shown here)

Fits models shown
in table below

32142

11½ in. diameter
Stainless Steel
6 Mounting Holes
(as shown here)

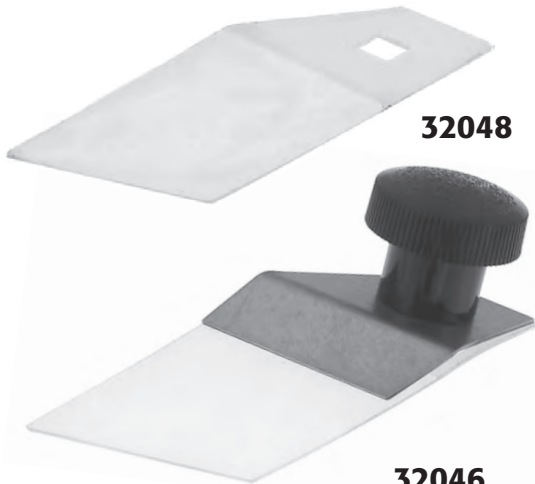
Fits models shown
in table below



32023
Stainless Steel



32143
Stainless Steel Ring Knife
12 holes



32048

32046



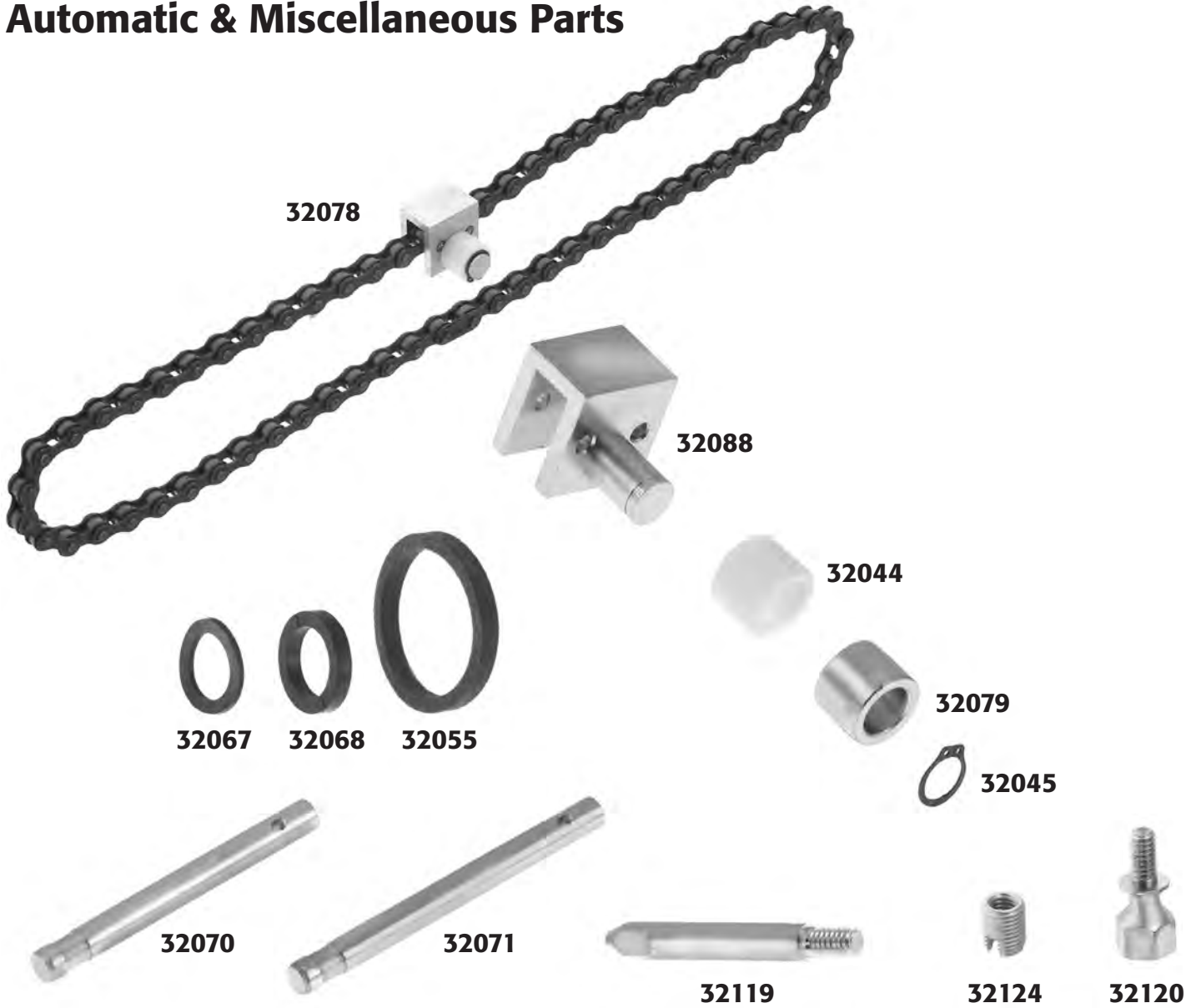
20013

Part#	OEM #	Description	75	150	285	300	400	500L	510	610	660	685	710	715	720	725L	760	765	770	775L	815	820	825L		
20013	SC-3	Safety Cover	X	X	X	X	X	X	X	X	X	X	X	X	X	X	X	X	X	X	X	X	X		
32003	746-SS	Slicer Knife, Hard Chrome			X	X	X	X				X		X	X	X		X	X	X	X	X	X		
32009	1022	Slicer Knife, Hard Chrome	Fits models 3600, 3850, 3975, 4600, 4850, 4975																						
32023	261	Screws, SS 25/Pkg	X	X	X	X	X	X	X	X	X	X	X	X	X	X	X	X	X	X	X	X	X		
32046	829-1,2,3,4	Knife Scraper Assembly				X	X	X							X	X			X	X		X	X		
32048	829-2	Blade Knife Scraper Nylon				X	X	X							X	X			X	X		X	X		
32116	1022	Slicer Knife, SS	Fits models 3600, 3850, 3975, 4600, 4850, 4975																						
32142	746-SS	Slicer Knife, SS			X	X	X	X				X		X	X	X		X	X	X	X	X	X		
32143	510SS	Slicer Ring Knife	X	X					X	X	X		X				X				Also fits models 260, 810				

Slicing Machines

Globe Slicers

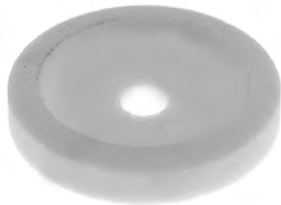
Automatic & Miscellaneous Parts



Part #	OEM #	Description	75	150	285	300	400	500L	510	610	660	685	710	715	720	725L	760	765	770	775L	815	820	825L
20002	N/A	Food Machine Lubricant 16 Oz.	X	X	X	X	X	X	X	X	X	X	X	X	X	X	X	X	X	X	X	X	X
32044	766-5	Roller, Chain Connector Nylon												X	X			X	X	X	X	X	
32045	766-6	Clip, Chain Connector											X	X	X		X	X	X	X	X	X	
32055	370	Felt Seal, Gear Housing		X	X	X	X	X	X	X	X	X	X	X	X	X	X	X	X	X	X	X	X
32067	436-1	Bumper Slide, (Manual)		X	X	X	X	X	X	X	X	X	X	X	X	X	X	X	X	X	X	X	X
32068	436-1U	Bumper Slide, (Auto)		X	X	X	X	X	X	X	X	X	X	X	X	X	X	X	X	X	X	X	X
32070	357	Shaft, Table Adjusting Knob		X	X	X	X		X	X	X	X	X	X	X	X		X	X		X	X	X
32071	864	Shaft, Table Adjusting Knob						X								X						X	
32078	766-2B	Slide Chain Assembly.											X	X			X	X	X			X	X
32079	766-5-S	Roller, Chain Connector Steel											X	X	X		X	X	X	X	X	X	
32088	612	Drive Block, Slide Chain												X	X			X				X	X
32119	758-1	Pin, Waste Box			X	X	X	X						X	X	X	X	X	X	X	X	X	
32120	791	Pin, Receiving Tray			X	X	X					X		X	X			X	X				X
32124	700-1	Bushing, Threaded	X	X	X			X				X		X		X	X		X			X	X

12 Globe Slicer

Sharpener Parts



32152



32153



32094
*Grind Stone
Spindle*



32095
*Truing Stone
Spindle*



32100



32099



32102

Part #	OEM #	Description	Models
32094	463AS	Grind Stone Spindle	Models 150 Through 4975
32095	467	Truing Stone Spindle	Models 150 Through 4975
32099	461	Sharpener Lock	Models 150 Through 4975
32100	N/ A	Stop Assembly Sharpener	Models 150 Through 4975
32102	456AS	Lock Rod, Sharpener	Models 150 Through 4975
32152	214-1	Grinding Stone	Models 150 Through 4975
32153	213	Truing Stone	Models 150 Through 4975

Slicing Machines

Globe Slicers



32155



32016

32035



32060



- 1) Saw the "T" bolt flush against the Chute Support and drive the remaining portion into the Chute Support. Apply on adhesive into the hole to prevent rattling.
- 2) Thread the hole with PAPCO tap part #32155 (7/16-20).
- 3) Jam the two hex nuts onto the long threaded end of the new stud and use them to install the stud into the newly threaded hole.



32017

32149

32137



32197
End Weight Rod
Washer, 5 pk



32097



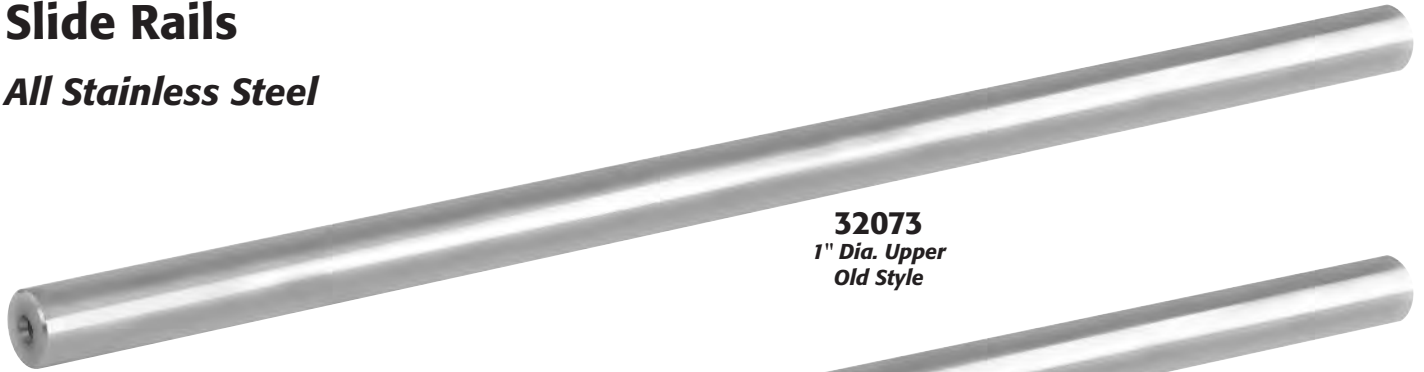
32107
Screw Assembly, Chute Support

Part #	OEM #	Description	75	150	285	300	400	500	510	610	660	685	710	715	720	725	760	765	770	775	815	820	825
32016	481-1	T-Bolt, Chute Support	X	X	X	X	X	XL	X	X	X	X	X	X	X	XL	X	X	X	XL	X	X	XL
32017	798	Knob, Chute Support & Chain		X	X	X	X	XL	X	X	X	X	X	X	X	XL	X	X	X	XL	X	X	XL
32035	487-3	Clip, End Weight Rod	X	X	X	X	X	XL	X	X	X	X	X	X	X	XL	X	X	X	XL	X	X	XL
32060	306-1	Spring, End Weight Rod	X	X	X	X	X	XL	X	X	X	X	X	X	X	XL	X	X	X	XL	X	X	XL
32097	791	Bushing, Chute Arm	X	X	X	X	X	XL	X	X	X	X	X	X	X	XL	X	X	X	XL	X	X	XL
32107	439-1,-2	Screw Assy, Chute Support			X	X	X	XL						X	X	XL	X	X	X	XL	X	X	XL
32137	981-1	Rod, End Weight, Fme, SS			X	X	X	XL						X	X	XL	X	X	X	XL	X	X	XL
32149	741-1	Rod, End Weight 10 5/8"		X	X	X	X	XL	X	X	X	X	X	X	X	XL	X	X	X	XL	X	X	XL
32154	N/A	Bolt Chute Support Replacement		X	X	X	X	XL	X	X	X	X	X	X	X	XL	X	X	X	XL	X	X	XL
32155	N/A	Tap 7/16-20		X	X	X	X	XL	X	X	X	X	X	X	X	XL	X	X	X	XL	X	X	XL
32197	N/A	End Weight Rod Washers, Plastic 5 pk - Fits all models	X	X	X	X	X	X	X	X	X	X	X	X	X	X	X	X	X	X	X	X	X

14 Globe Slicer

Slide Rails

All Stainless Steel



32073
1" Dia. Upper
Old Style



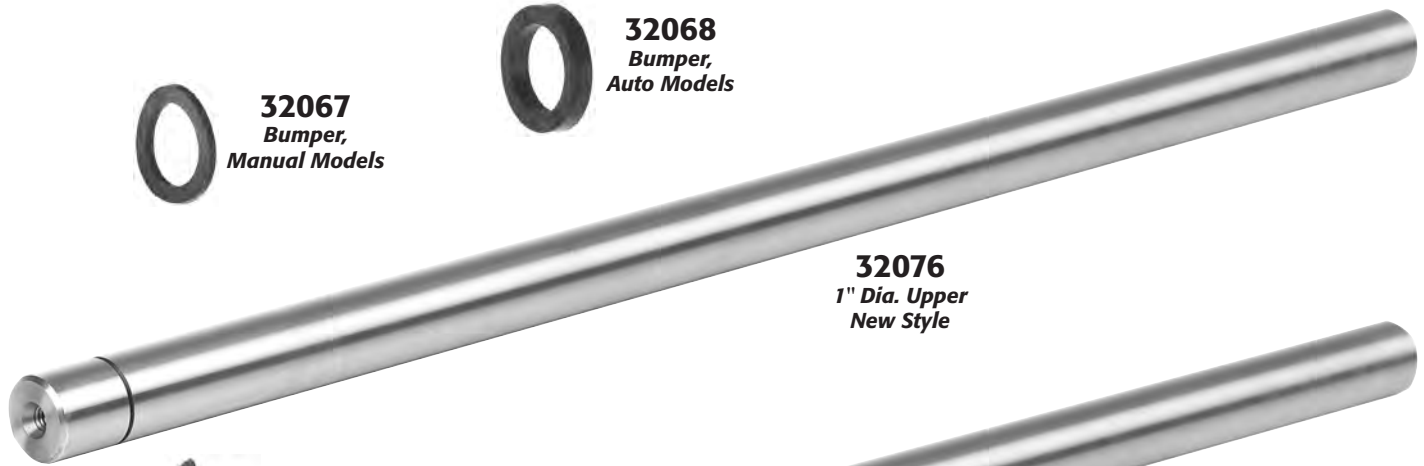
32074
7/8" Dia. Lower
Old Style



32067
Bumper,
Manual Models



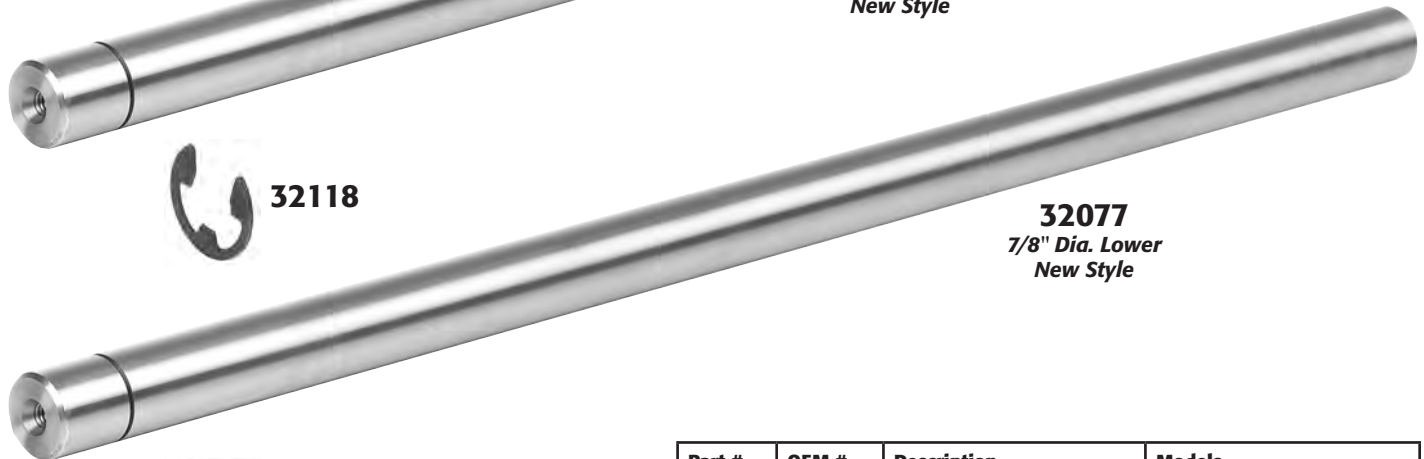
32068
Bumper,
Auto Models



32076
1" Dia. Upper
New Style



32118



32077
7/8" Dia. Lower
New Style



32038

Part #	OEM #	Description	Models
32038	858-1	Retaining Ring, Slide Rod	Used On 32077
32067	436-1	Bumper Slide (Manual)	Used On Manual Slicers
32068	436-5N5	Bumper Slide (Auto)	Used On Automatic Slicers
32073	277	Slide Rail Upper, SS, O/S	Models 150 Through 820
32074	278	Slide Rail Lower, SS, O/S	Models 150 Through 820
32076	857	Slide Rail Upper, SS, N/S	Models 500 Through 4975
32077	858	Slide Rail Lower, SS, N/S	Models 500 Through 4975
32118	N/A	Retaining Ring, Slide Rail	Used On 32076

Slicing Machines

Globe Slicers

Feet & Extensions

These items fit any model that accepts a screw in support foot



32144
Foot Extensions
1 1/4" Long (4 Pk)



32139
Foot Extensions
2" Long (4 Pk)



32034
Foot Extensions
2 1/2" Long (4 Pk)



32123
Foot Extensions
3 1/2" Long (4 Pk)



32001
Support Foot,
Push In
Fits models 75, 150,
510, 610, 660, 710



**These feet will
not mark counter tops!**

Part #	OEM #	Description
32001	263	Support Foot, Push In
32002	652/817	Support Foot, Screw In
32034	873-2 1/2	Foot Extension 2 1/2" 4 Pk
32123	873	Foot Extension 3 1/2" 4 Pk
32139	N/A	Foot Extension 2" 4 Pk
32144	N/A	Foot Extension 1 1/4" 4 Pk



32002
Support Foot,
Screw In

Globe Electrical

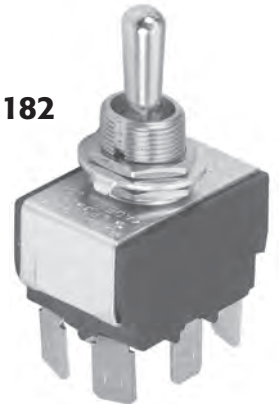


32087

32058



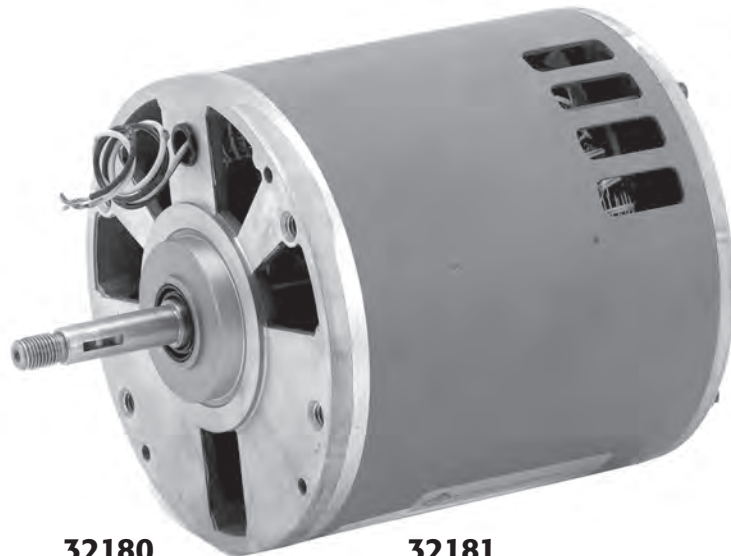
32182



32085



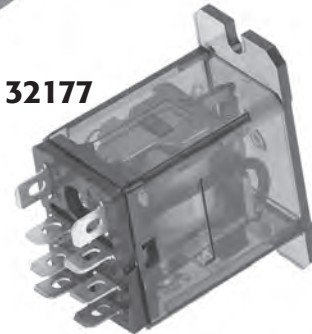
32203
Switch Guard



32180
Globe Motor,
1/2 H.P. 110/60/1

32181
Globe Motor,
1/3 H.P. 110/60/1

32177



32189



32188

No Returns on Electrical Items

32179
Closed



32178
Open

Part #	OEM #	Description	Models
32058	785	Switch, On/Off	75 Through 825L
32085	513	Micro Switch	75 150 285 300 400 610 660 685 760
32087	132-3	Power Cord	All Models
32177	952-9	Relay N/S 2500-3500	Models 2500 & 3500
32178	855	Micro Switch (Model 500 Only)	Model 500 Only (Open Switch)
32179	854-1	Micro Switch, Closed	500L 725L 775L 825L
32180	834-8F	Globe Motor, 1/2 Hp 115/60/1	2000 3000 4000
32181	834-1F	Globe Motor, 1/3 Hp 115/60/1	300 400 500L 725L 775L 825L
32182	952-8	3 Position Toggle Switch	3500 3750 3875V 4500 4750 4875V
32188	952-10	Switch, On/Off	2500 2750 2850V 2875V 3500 3750 3875V
32189	N/A	Switch Boot	2500 2750 2850V 2875V 3500 3750 3875V
32203	785-15G	Switch Guard	Any model

Repair Kit #32157

No Returns on Electrical Items



32058
Switch



32002
Support Foot
Threaded
(4 pcs.)



32017
Knob, Chute Support &
Chain Slide



32152
Grinding
Stone



32153
Truing Stone



32037
Shim,
Knife Plate, Coupling (12)



32004
Gear (Fiber), Knife Hub



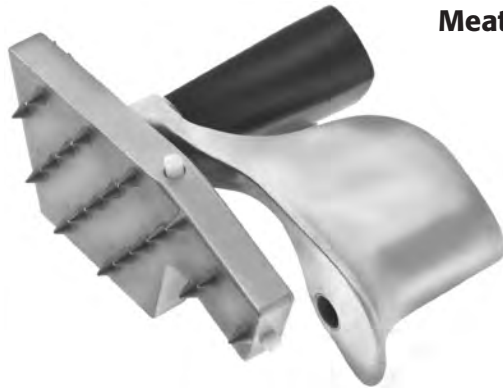
32068
Bumper Slides
(Auto)



32060
Spring,
End Weight Rod



32048
Scraper, Knife Blade
(Plastic)



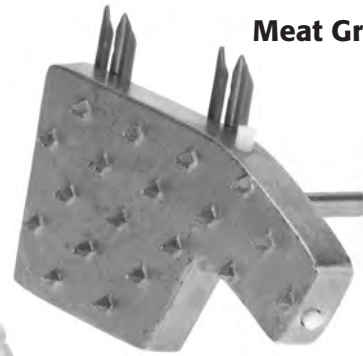
Meat Grip Assembly

12076
Aluminum

12077
Iron

12120
Stainless Steel

12123
Bumper, 5 pk

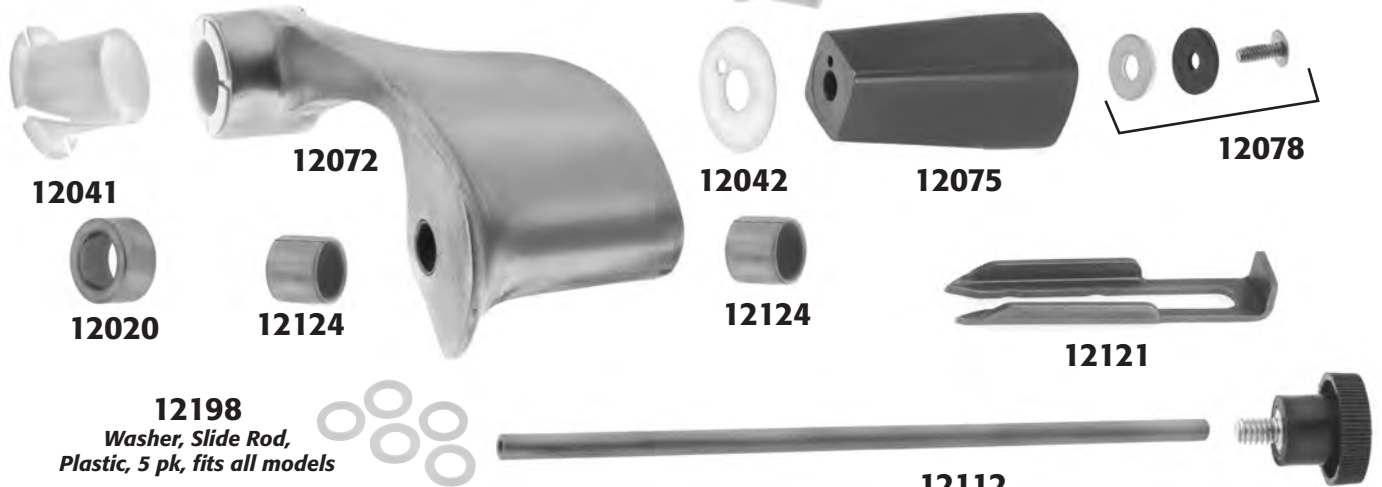


Meat Grip Sub-Assembly

12064
Aluminum

12074
Iron

12122
Stainless Steel



12041

12072

12042

12075

12078

12020

12124

12124

12121

12198
Washer, Slide Rod,
Plastic, 5 pk, fits all models

12112

12111

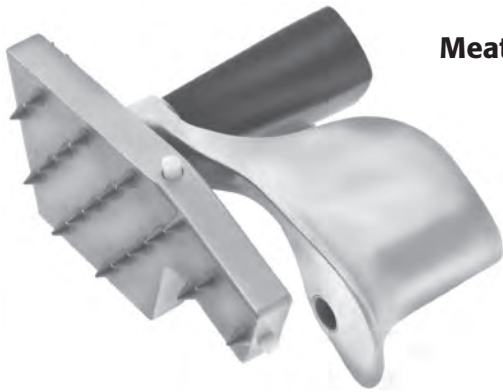
12015

12014

12154
Also Fits
"E" & "LR"
Models

Part #	OEM #	Description	1612	1712	1812	1912
12014	C-108197-5	Thumbscrew, Carriage Mount	X	X	X	X
12015	A-107364	Washer, Carriage Mount	X	X	X	X
12020	M-75135	Bushing, Meat Grip, (Bronze)	X	X	X	X
12041	438280	Shoulder Bushing, Meat Grip	X	X	X	X
12042	437006	Washer, Meat Grip Handle	X	X	X	X
12064	437908	Meat Grip Sub-Assy, Aluminum	X	X	X	X
12072	437987	Meat Grip, Arm & Bushing Assy.	X	X	X	X
12074	438176	Meat Grip Sub-Assy, Iron	X	X	X	X
12075	P-70202	Meat Grip, Handle	X	X	X	X
12076	N/A	Meat Grip Assy, Aluminum	X	X	X	X
12077	437126	Meat Grip Assy, Iron	X	X	X	X
12078	N/A	Screw & Washer Set, Meat Grip	X	X	X	X
12111	SC-16-5	Knob, Carriage Shaft	X	X	X	X
12112	123087-2	Carriage Shaft	X	X	X	X
12120	N/A	Meat Grip Assy, (SS)	X	X	X	X
12121	70341	Meat Holder, (SS)	X	X	X	X
12122	N/A	Meat Grip Sub-assembly, (SS)	X	X	X	X
12123	70360-1	Bumper, Plastic (5 Pk)	X	X	X	X
12124	437124	Bearing, Meat Grip Arm	X	X	X	X
12154	70194	Handle, Carriage Tray	X	X	X	X
12198	WS-21-19	Washer, Slide Rod, Plastic 5 Pk	X	X	X	X

Hobart Carriage Components



Meat Grip Assembly

12076
Aluminum

12077
Iron

12120
Stainless Steel



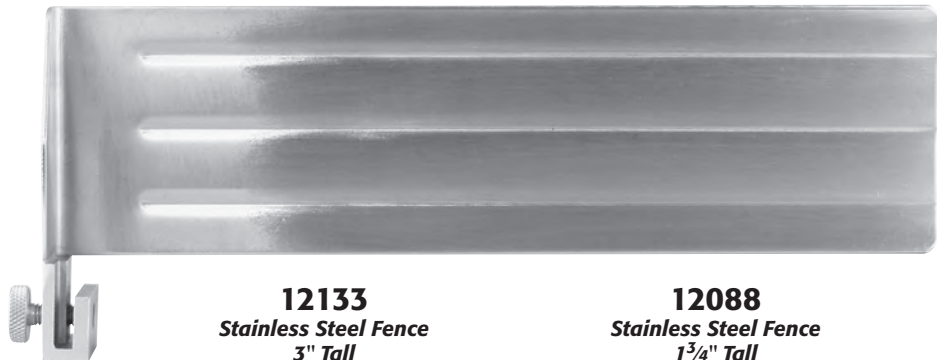
12212
Washer, Meat Grip 3 pk



12154
Also Fits
"E" & "LR"
Models



12150
Stainless Steel



12133
Stainless Steel Fence
3" Tall

12088
Stainless Steel Fence
1 3/4" Tall



12112

12111



12198
Washer, Slide Rod,
Plastic, 5 pk, fits all models

Part #	OEM #	Description	Fits Models
12014	C108197-5	Thumb Screw, Carriage	Models 512, 1612, 1712, 1812, 1912
12015	A107364	Washer, Carriage Mount	Models 512, 1612, 1712, 1812, 1912
12076	N/A	Meat Grip Assy, Aluminum	Models 1612, 1712, 1812, 1912
12077	437126-1	Meat Grip Assy, Iron	Models 1612, 1712, 1812, 1912
12088	295118	Low Fence Assy, Stainless Steel	Fits any model with Stainless Carriage
12111	SC-16-5	Knob, Carriage Shaft	Models 1612, 1712, 1812, 1912
12112	123087-2	Carriage Rod	Models 1612, 1712, 1812, 1912
12120	N/A	Meat Grip Assy, Stainless	Models 1612, 1712, 1812, 1912
12133	295117	High Fence Assy, Stainless Steel	Fits any Model with Stainless Carriage
12150	290984	Thumb Screw, Fence, Stainless Steel	Fits any model with Stainless Carriage
12154	70194	Handle, Carriage Tray	Models 1612, 1712, 1812, 1912
12198	WS-21-19	Washer, Slide Rod, Plastic, 5 Pk	Fits all models
12212	WS-21-21	Washer, Meat Grip 3pk	Models 1612, 1712, 1812, 1912

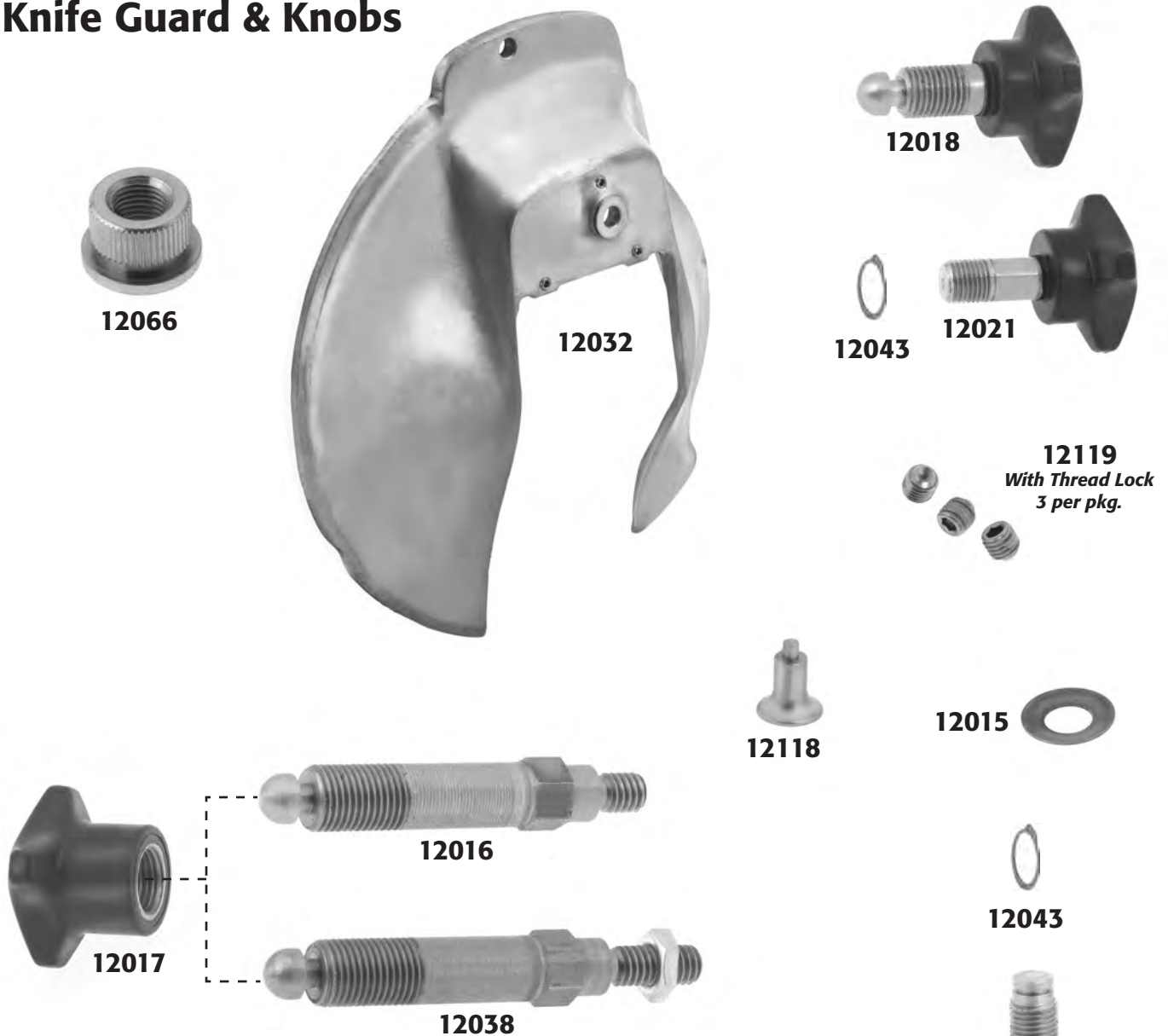


12015



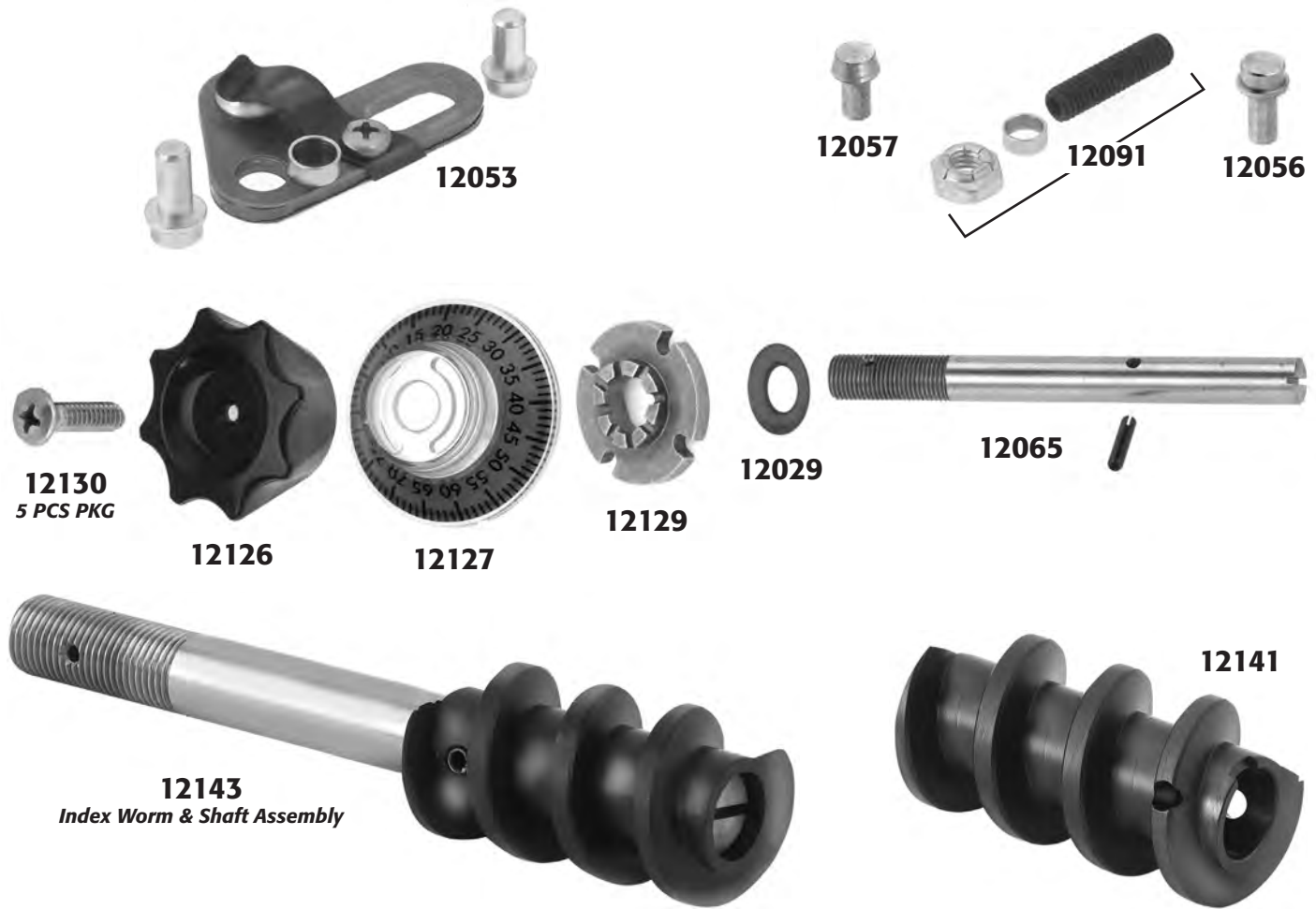
12014

Knife Guard & Knobs



Part #	OEM #	Description	1612	1712
12014	A-107364	Thumbscrew, Carriage Mount	X	X
12015	A-107364	Washer, Carriage Mount		
12016	M-70241	Center Stud, Knife Guard	X	X
12017	P-70198	Lock Knob, Center Stud	X	X
12018	P-70196	Upper Guard, Knob & Stud	X	X
12021	P-118484	Back Guard, Knob & Stud	X	X
12032	S-82952-2	Knife Guard Back	X	X
12038	N/A	Center Stud, Correcting Kit	X	X
12043	RR-10-18	Retaining Ring	X	X
12066	70314-1	Insert, Knife Hub	X	X
12118	70767	Knob Knife Guard	X	X
12119	N/A	Adj Screw, Back Knife Guard	X	X

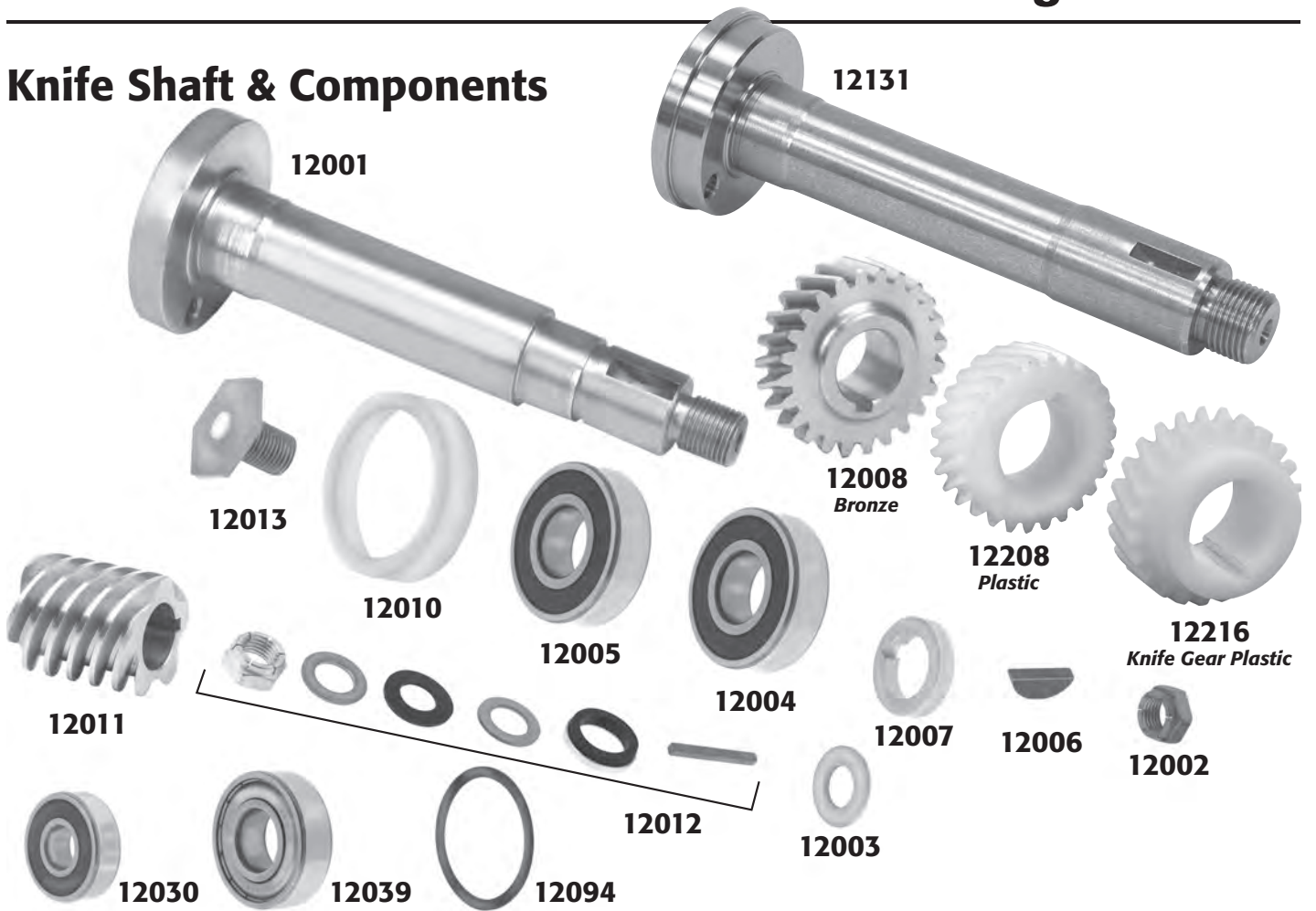
Gauge Plate & Index Mechanism



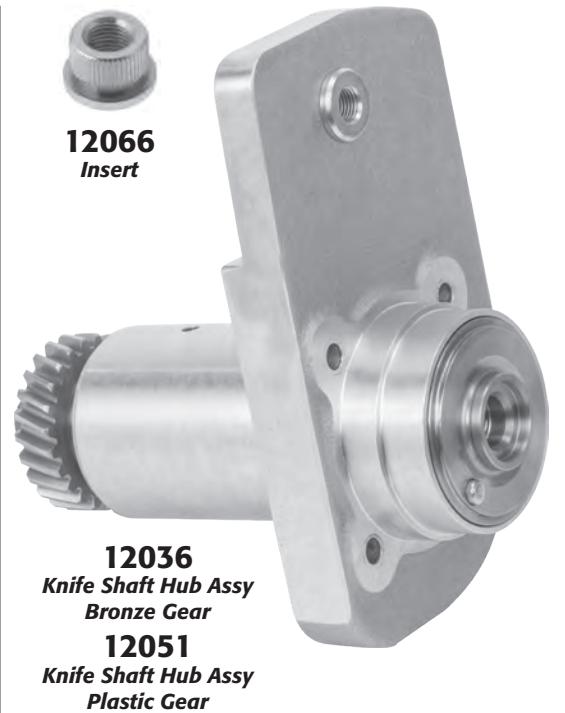
Part #	OEM #	Description	512	1612	1712	1812	1912	"E" Models
12029	M-88298	Washer, Index Worm	X	X	X	X	X	X
12053	M-70425 or 437213	Plate, Indexing & Spring Assembly	X	X	X	X	X	X
12056	M-70343	Roller, Indexing Plate (Straight)		X	X	X	X	X
12057	M-70342	Roller, Indexing Plate		X	X	X	X	
12065	87494	Shaft, Indexing		X	X			X
12091	NS-32-12	Stud, Indexing Assembly		X	X	X	X	X
12092	N/A	Repair Kit, Index Shaft, O/S	X	X	X	X	X	X
12125	V-10928	Nut, Index Shaft	X	X	X	X	X	X
12126	114214	Knob	X	X	X	X	X	X
12127	118175	Index, Ring	X	X	X	X	X	X
12128	M-70405	Disc, Indexing Drive O/S	X	X	X	X	X	X
12129	76948	Disc, Index	X	X	X	X	X	X
12130	SC-23-10	Screw, SS (5 Pkg)	X	X	X	X	X	X
12141	87495	Worm, Indexing		X	X	X	X	X
12143	87493	Index Worm & Shaft Assy		X	X	X	X	X



Knife Shaft & Components



Part #	OEM #	Description	512	1612	1712	1812	1912	"E"
12001	P70435	Knife Shaft Assembly		X	X			
12002	NS-32-29	Nut, Knife Shaft		X	X			
12003	WS-8-9	Washer, Worm Gear		X	X			
12004	BB-18-43	Lower Main Bearing		X	X			
12005	BB-16-22	Upper Main Bearing		X	X			
12006	M-73348	Key, Woodruff		X	X			
12007	V-104001	Thrust Washer, Worm Gear		X	X			
12008	M70302	Gear, Knife Shaft, Bronze		X	X			
12010	B-111154	Ring, Knife Shaft	X	X	X	X	X	
12011	437575	Motor Worm		X	X	X	X	X
12012	N/A	Hardware Kit, Motor Gear		X	X			
12013	73356	Knife Screw Assembly		X	X	X	X	
12030	BB-18-12	Motor Bearing, Small	X	X	X	X	X	
12036	P-70348	Knife Shaft Hub Assy-Bronze	X	X	X	X	X	X
12039	BB-5-30	Motor Bearing, Large	X	X	X			
12051	N/A	Knife Shaft Hub Assy-Plastic	X	X	X	X	X	X
12066	70314-1	Insert, Knife Hub	X	X	X	X	X	X
12094	W-8-9	Washer, Bearing		X	X			
12131	435785	Knife Shaft Assembly				X	X	X
12208	N/A	Gear, Knife Shaft, Plastic		X	X			
12216	N/A	Gear, Knife Shaft, Plastic	Also fits "RE" Models			X	X	X



12066
Insert

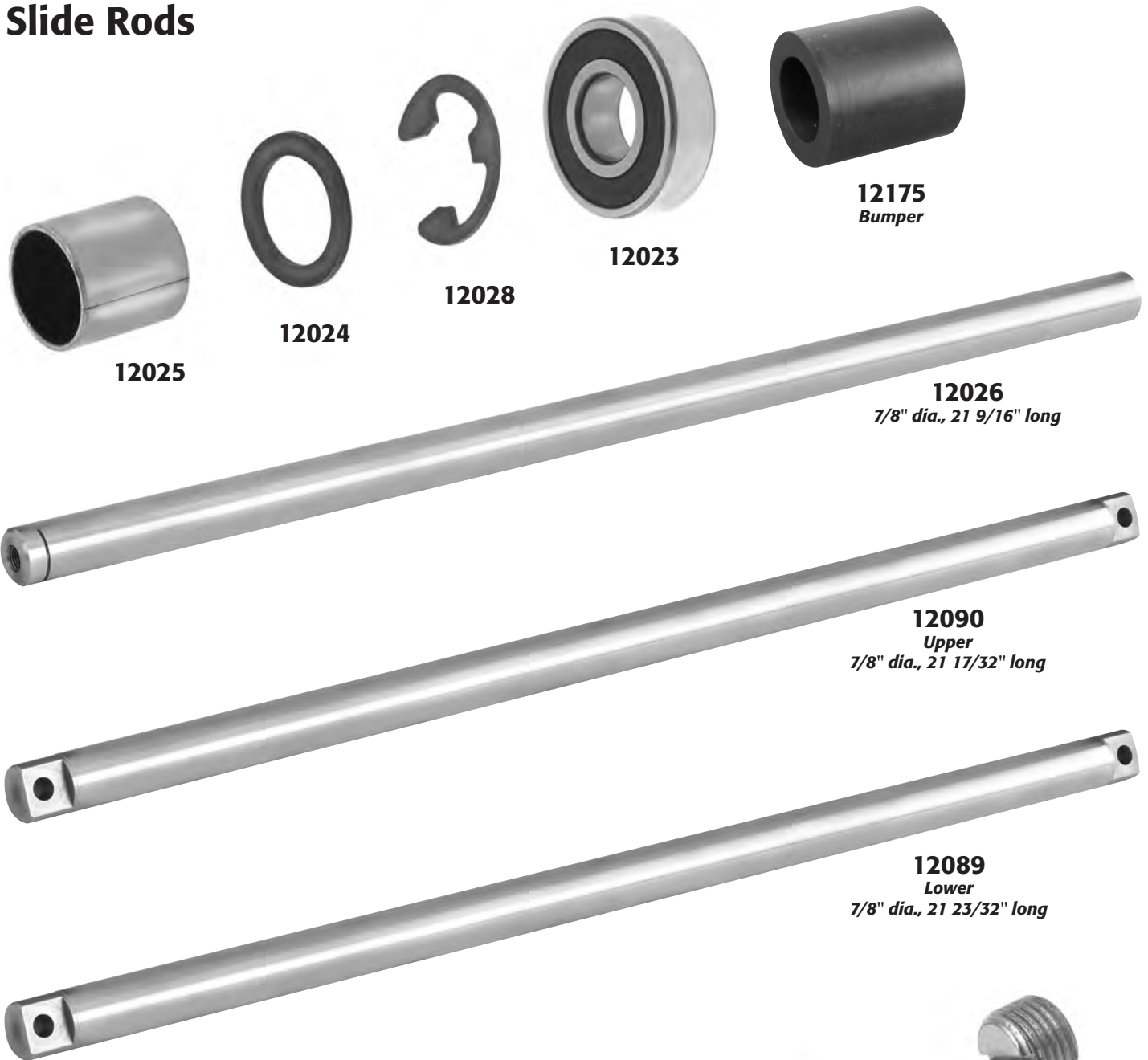
12036
Knife Shaft Hub Assy
Bronze Gear

12051
Knife Shaft Hub Assy
Plastic Gear

Slicing Machines

Hobart® Slicers

Slide Rods



Part #	OEM #	Description	1612	1712	1812	1912
12022	M-86260	Adjusting Screw	X	X		
12023	BB-4-11	Carriage Rod Bearing	X	X	X	X
12024	435707	Washer Bumper, (Rubber)	X	X	X	X
12025	M-88921	Carriage Bushing	X	X		
12026	N/A	Slide Rod, SS O/S	X	X		
12027	M83416	Slide Rod Plug	X	X		
12028	RR-9-15	Retaining Ring, Slide Rod	X	X	X	X
12089	123686-1	Slide Rod, Lower SS N/S	X	X		
12090	123686-2	Slide Rod, Upper SS N/S	X	X		
12175	477555	Bumper, Slide Rod	X	X	X	X



6 Hobart® Slicer

Slicer Knives & Feet



20013

Safety Cover, fits 12035, 12087 & 12097 Knives



12087

11 7/8 in. dia., Stainless Steel

12097

11 3/4 in. dia., Stainless Steel

12035

11 3/4 in. dia., Hard Chrome



12165
Foot



12215
No Mar Foot



12060
No Mar Support Foot



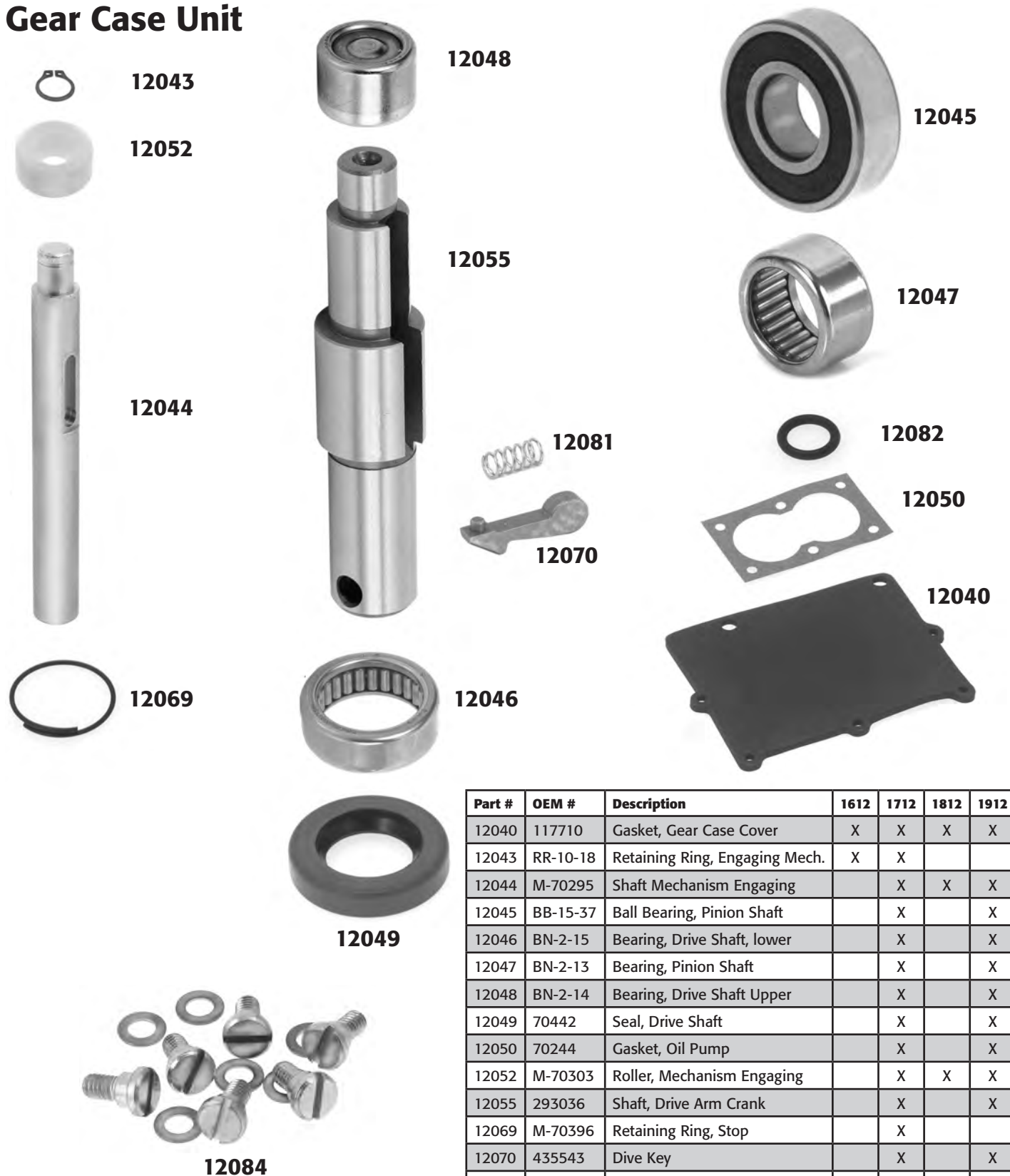
12146
No Mar Support Foot

Part #	OEM #	Description	1612	1712	1812	1912	2612	2712	2812	2912
12035	275913-1	Slicer Knife (Hard Chrome)	X	X	X	X				
12060	N/A	Support Foot No Mar	X							
12087	439870-4	Slicer Knife (German SS)					X	X	X	X
12097	275913-1	Slicer Knife (German SS)	X	X	X	X				
12146	83681	Support Foot No Mar		X	X	X				
12165	875371	Foot, Tall					X	X	X	X
20002	N/A	Food Machine Lubricant 16 Oz.	X	X	X	X	X	X	X	X
20003	N/A	Food Machine Lubricant 1 Gal.	X	X	X	X	X	X	X	X
20013	SC 3	Slicer Knife Safety Cover	X	X	X	X	X	X	X	X
12215	N/A	Foot, No Mar					X	X	X	X

Slicing Machines

Hobart® Slicers

Gear Case Unit



Part #	OEM #	Description	1612	1712	1812	1912
12040	117710	Gasket, Gear Case Cover	X	X	X	X
12043	RR-10-18	Retaining Ring, Engaging Mech.	X	X		
12044	M-70295	Shaft Mechanism Engaging		X	X	X
12045	BB-15-37	Ball Bearing, Pinion Shaft		X		X
12046	BN-2-15	Bearing, Drive Shaft, lower		X		X
12047	BN-2-13	Bearing, Pinion Shaft		X		X
12048	BN-2-14	Bearing, Drive Shaft Upper		X		X
12049	70442	Seal, Drive Shaft		X		X
12050	70244	Gasket, Oil Pump		X		X
12052	M-70303	Roller, Mechanism Engaging		X	X	X
12055	293036	Shaft, Drive Arm Crank		X		X
12069	M-70396	Retaining Ring, Stop		X		
12070	435543	Dive Key		X		X
12081	70308	Spring, Diving Key		X		X
12082	67500-2	O Ring (6 Pkg)		X	X	X
12084	N/A	Screw Set	X	X	X	X

Hobart® Sharpener Parts Models 1612 & 1712

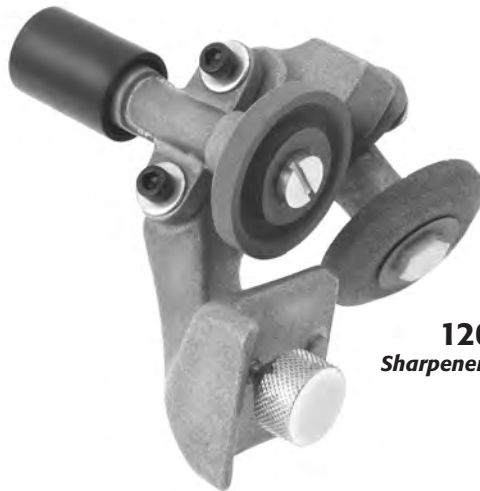
12080
*Grinding Stone
Sub Assembly
Sealed Ball
Bearings*



12104



12095



12071
Sharpener Assembly



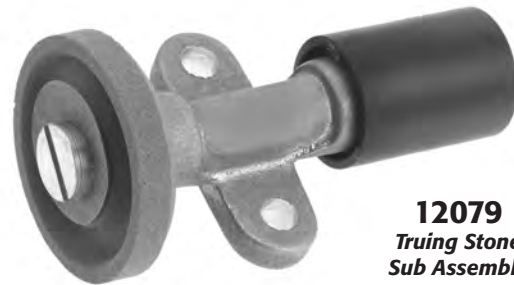
12067



12059



12105



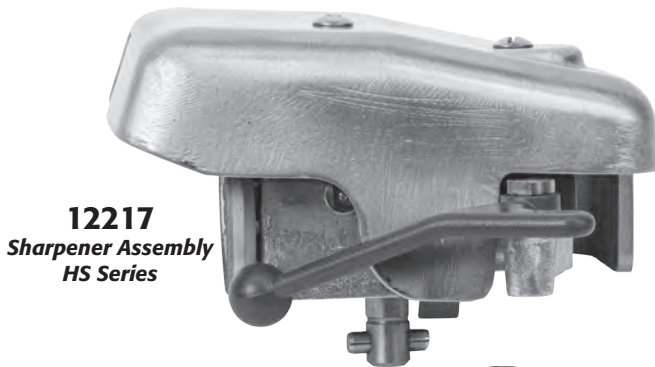
12079
*Truing Stone
Sub Assembly*

Part #	OEM #	Description	Models
12059	M3404-7	Truing Stone Ret Screw	1612, 1712
12067	B109702	Sharpener Thumb Screw	1612, 1712
12071	B122794-4	Sharpener Assy	1612, 1712
12079	M73979	Truing Stone Sub Assy	1612, 1712
12080	M74007	Grinding Stone Sub Assy	1612, 1712
12095	M74833	Grinding Stone Ret Screw	1612, 1712
12104	M73851	Sharpening Stone	1612, 1712
12105	M13201	Truing Stone	1612, 1712

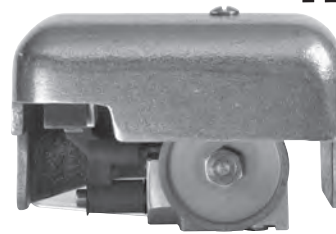
Slicing Machines

Hobart® Slicers

Hobart® Sharpener Parts Fits Models 2000 Series & HS Series



12217
Sharpener Assembly
HS Series



12210
Sharpener Assembly
"Old Style" without handle
Actuator handle
located on machine



12184
Sharpener Assembly
2000 Series



12243
Spring, Truing Arm,
HS Series



12219
Grinding Stone
Diamond, HS Series



12144
Retaining Screw



12188
Grinding Stone
Diamond, 2000 Series



11221
Truing Stone Spring,
HS Series



12218
Truing Stone - Diamond
HS Series
includes 12086 Screw



12086
Screw



12189
Truing Stone - Diamond
2000 Series
includes 12086 Screw



12137
Truing Stone Spring,
2000 Series

Part #	OEM #	Description	2000 Series	HS Series
12086	SC-122-84	Screw, Truing Stone	X	X
12137	435324	Spring, Truing Stone	X	
12144	435814	Retaining Screw	X	X
12158	873851	Plunger & Bearing Assembly	X	X
12184	873847-1	Sharpener Assembly	X	
12188	439691	Grinding Stone - Diamond	X	
12189	478747	Truing Stone - Diamond	X	
12190	N/A	Spring Kit, Sharpener	X	
12194	N/A	Hardware Kit, Sharpener	X	
12210	N/A	Sharpener Assembly Old Style		
12217	914329	Sharpener Assembly		X
12218	914413	Truing Stone Assy		X
12219	439691	Grinding Stone - Diamond		X
12221	914414	Spring, Truing Stone		X
12243	914416	Spring, Truing Arm		X



12194
Hardware Kit,
2000 Series



12158
Plunger and Bearing Assembly,
2000 Series

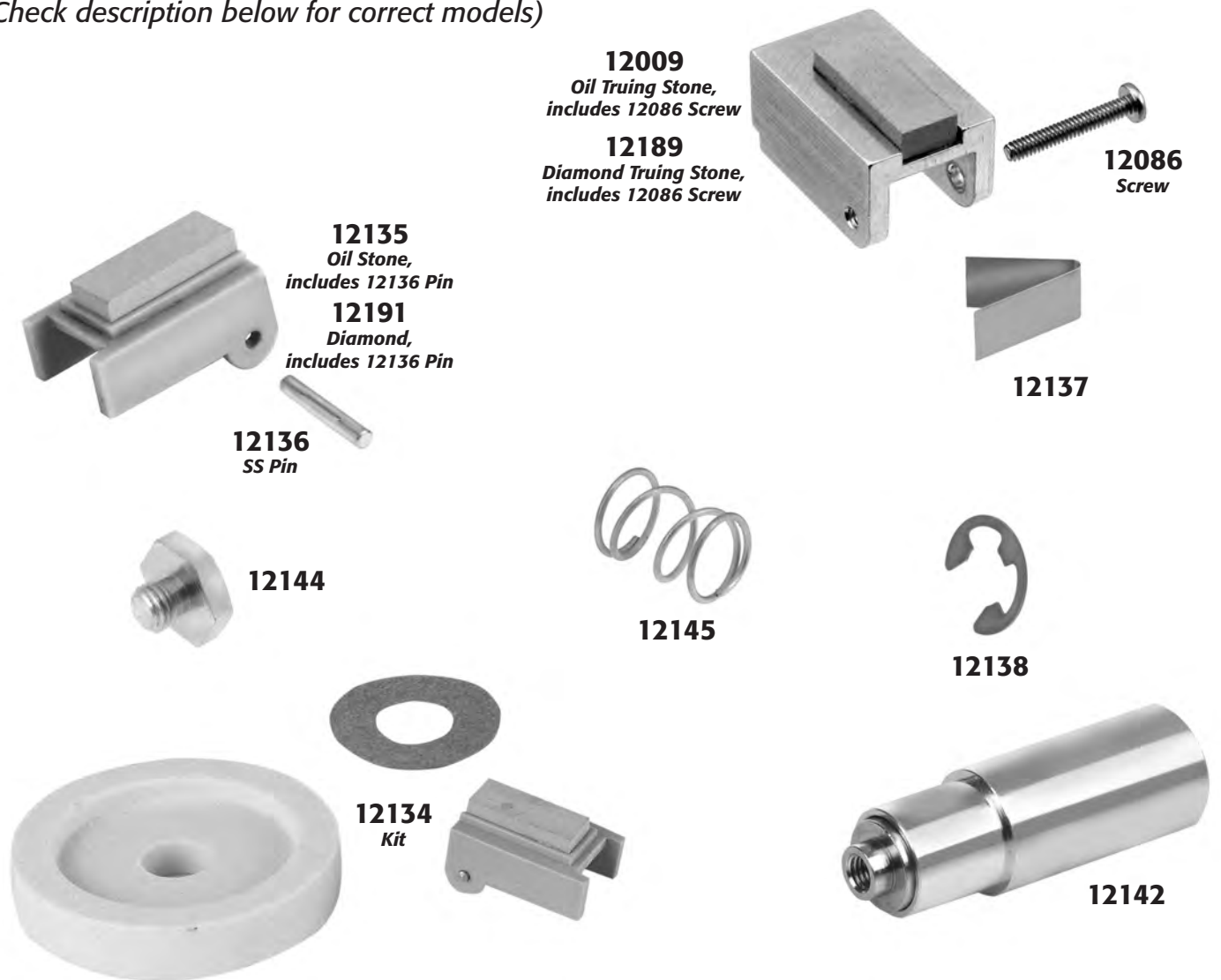


12190
Sharpener Spring Kit,
2000 Series

Hobart® Sharpener Parts

Fits Models E Series, 1812, 1912, 2612, 2712, 2812, 2912

(Check description below for correct models)

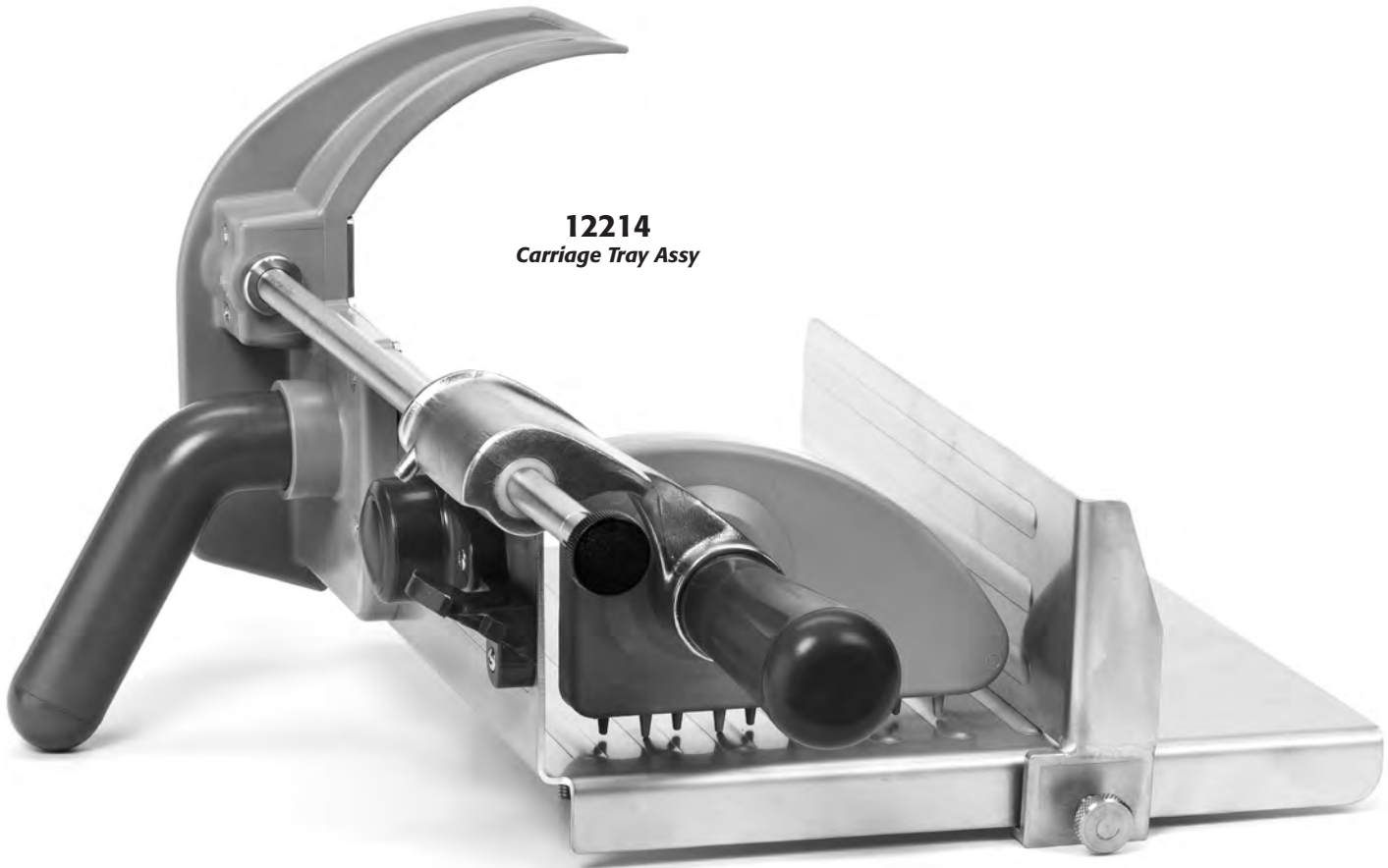


PART #	OEM #	Description	1612E	1712E	1712RE	1812	1912	2612	2712	2812	2912
12009	N/A	Truing Stone						X	X	X	X
12086	SC-122-84	Screw, Truing Stone						X	X	X	X
12134	437848	Stone Repair Kit	X	X	X	X	X				
12135	N/A	Truing Stone Assy	X	X	X	X	X				
12136	PG-7-40	Truing Stone Pin, SS	X	X	X	X	X				
12137	435324	Spring, Truing Stone	X	X	X	X	X	X	X	X	X
12138	RR-6-22	Ret Ring, Truing Arm	X	X	X	X	X	X	X	X	X
12142	N/A	Grind Stone Spindle	X	X	X	X	X				
12144	435814	Screw, Grind Stone	X	X	X	X	X	X	X	X	X
12145	119867	Spring, Grind Stone	X	X	X	X	X				
12189	478747	Truing Stone						X	X	X	X
12191	119882	Truing Stone Assy	X	X	X	X	X				

Slicing Machines

Hobart® Slicers

Hobart Carriage Tray Assembly Models 2612, 2712, 2812, 2912



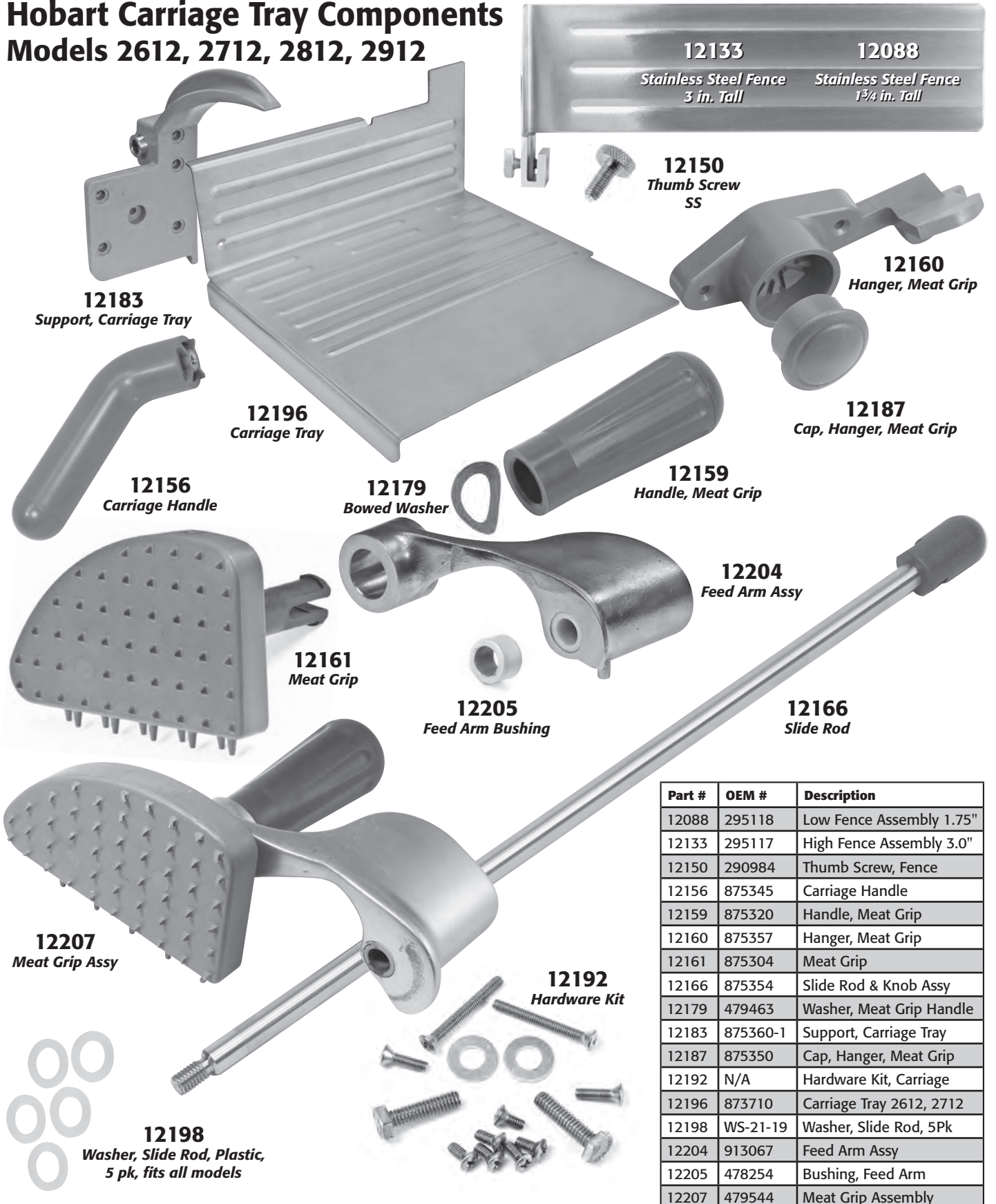
12214
Carriage Tray Assy



12207
Meat Grip Assy

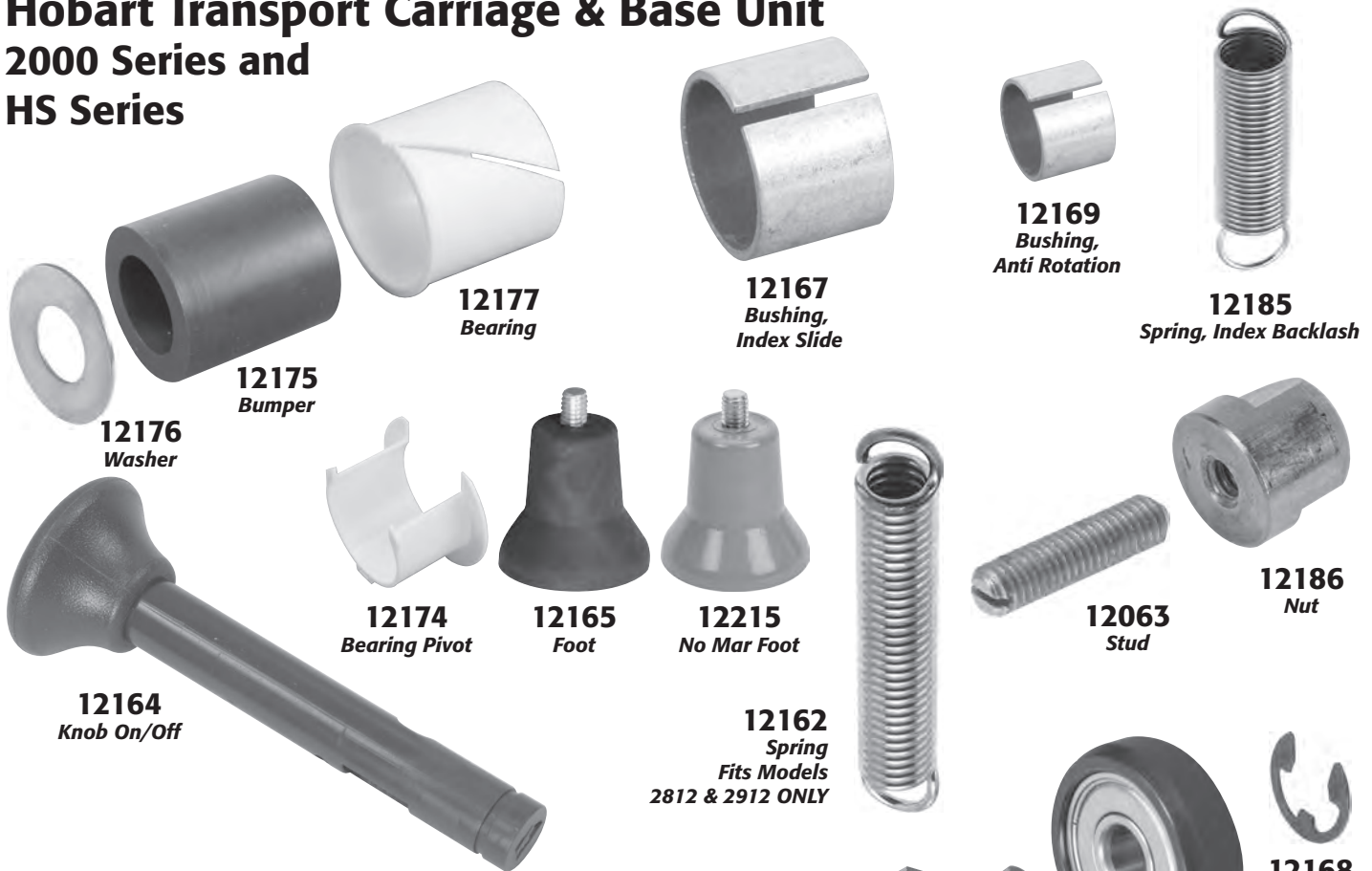
Part #	OEM #	Description
12214	N/A	Carriage Tray Assembly
12207	479544	Meat Grip Assembly

Hobart Carriage Tray Components Models 2612, 2712, 2812, 2912

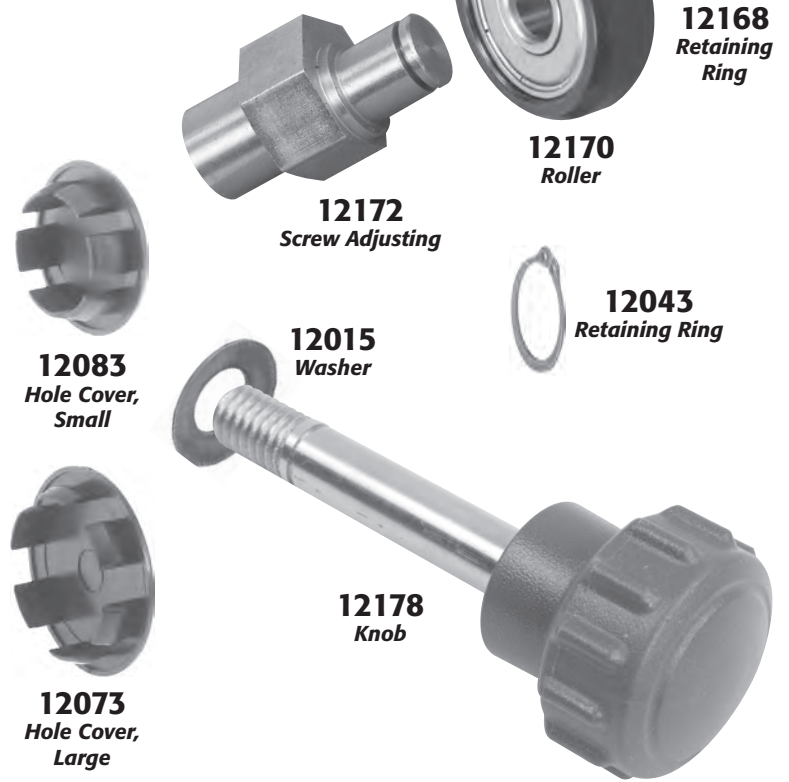


Part #	OEM #	Description
12088	295118	Low Fence Assembly 1.75"
12133	295117	High Fence Assembly 3.0"
12150	290984	Thumb Screw, Fence
12156	875345	Carriage Handle
12159	875320	Handle, Meat Grip
12160	875357	Hanger, Meat Grip
12161	875304	Meat Grip
12166	875354	Slide Rod & Knob Assy
12179	479463	Washer, Meat Grip Handle
12183	875360-1	Support, Carriage Tray
12187	875350	Cap, Hanger, Meat Grip
12192	N/A	Hardware Kit, Carriage
12196	873710	Carriage Tray 2612, 2712
12198	WS-21-19	Washer, Slide Rod, 5Pk
12204	913067	Feed Arm Assy
12205	478254	Bushing, Feed Arm
12207	479544	Meat Grip Assembly

Hobart Transport Carriage & Base Unit 2000 Series and HS Series



Part #	OEM #	Description	2000 Series	HS Series
12015	478021	Washer, Carriage Mount	X	
12043	RR-10-18	Retaining Ring	X	
12063	N/A	Carriage Stud, Repair	X	
12073	875373	Plug, Large Hole	X	
12083	875375	Plug, Small Hole	X	
12162	438897	Spring, Plate Pivoting	X	
12164	875668	Knob, On/Off	X	
12165	875371	Foot, Tall	X	X
12167	478426	Bushing, Index Slide	X	
12168	RR-6-23	Ret Ring, Roller Transport	X	X
12169	478425	Bushing, Anti Rotation Rod	X	
12170	478420	Roller Assy, Transport	X	X
12172	438911	Screw, Adjusting	X	X
12174	439006	Bearing, Pivot	X	
12175	477555	Bumper	X	
12176	435708	Washer, Back Up, SS	X	X
12177	875658	Bearing, Transport	X	X
12178	875450	Knob, Tray Assy	X	X
12185	478432	Spring, Index Backlash	X	
12186	875039	Carriage Nut	X	
12215	N/A	Foot, No Mar	X	X



Hobart Top Cover & Components Models 2612, 2712, 2812, 2912



12101
Screw,
Top Cover Knob

12201
Knob,
Locking Top Cover

12182
Spring,
Top Cover Knob

12202
Stud,
Locking Cover

12206
Knob Assy



12200
Top Cover



12157
Product Deflector

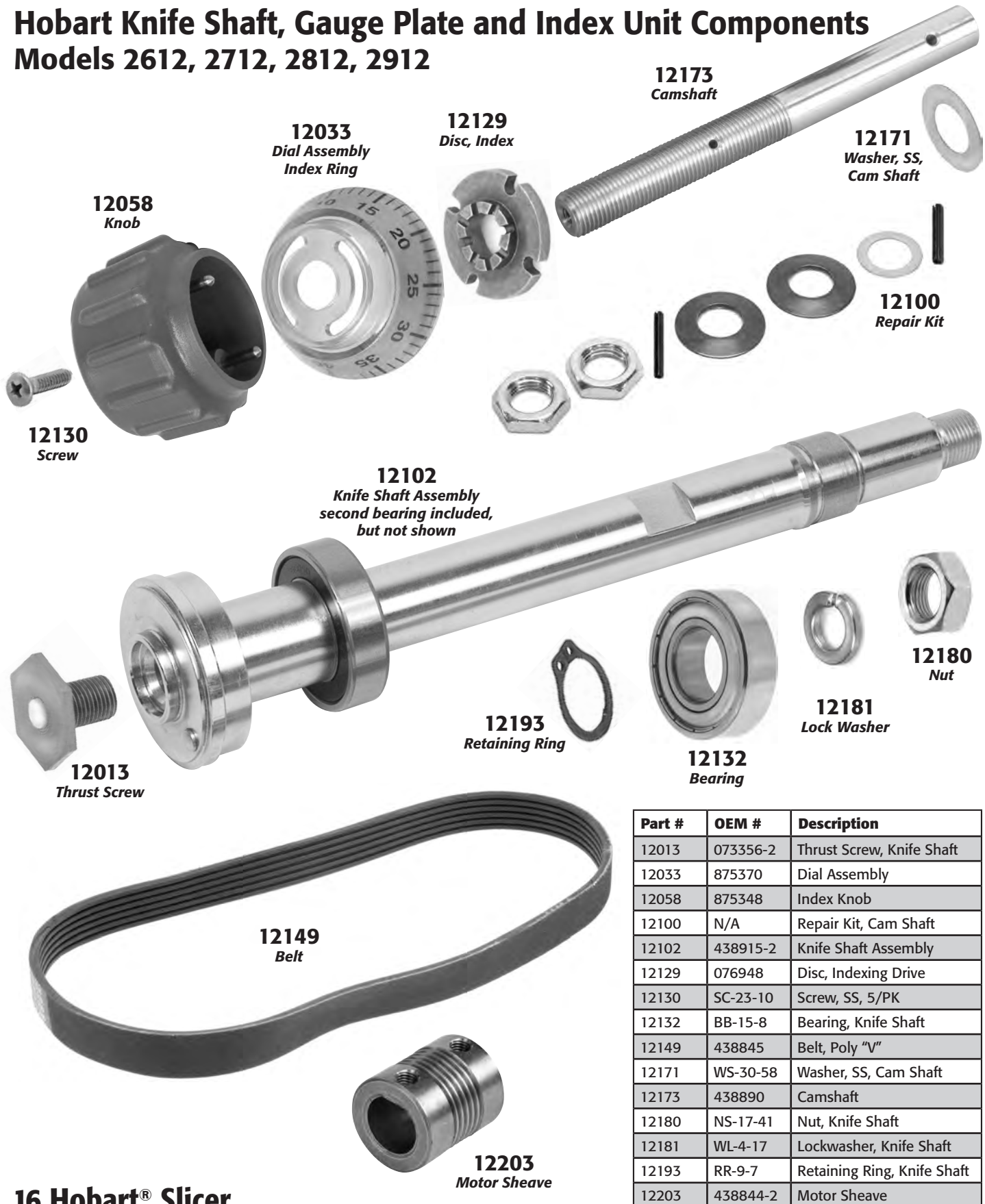


Part #	OEM #	Description
12101	SC-122-53	Screw, Top Cover Knob
12157	875355	Product Deflector
12182	437994	Spring, Top Cover Knob
12200	479740	Top Cover
12201	875266	Knob, Locking, Top Cover
12202	875265	Stud, Locking Cover
12206	N/A	Top Cover Knob Assy

Slicing Machines

Hobart® Slicers

Hobart Knife Shaft, Gauge Plate and Index Unit Components Models 2612, 2712, 2812, 2912



Part #	OEM #	Description
12013	073356-2	Thrust Screw, Knife Shaft
12033	875370	Dial Assembly
12058	875348	Index Knob
12100	N/A	Repair Kit, Cam Shaft
12102	438915-2	Knife Shaft Assembly
12129	076948	Disc, Indexing Drive
12130	SC-23-10	Screw, SS, 5/PK
12132	BB-15-8	Bearing, Knife Shaft
12149	438845	Belt, Poly "V"
12171	WS-30-58	Washer, SS, Cam Shaft
12173	438890	Camshaft
12180	NS-17-41	Nut, Knife Shaft
12181	WL-4-17	Lockwasher, Knife Shaft
12193	RR-9-7	Retaining Ring, Knife Shaft
12203	438844-2	Motor Sheave

Hobart Miscellaneous



12031
Motor Ball Bearing, Large



12222
Access Cover



12093
Cord, Power



12148
Indicator Light



12163
Switch, Start

LUBRICATION INSTRUCTIONS

CARRIAGE SLIDE ROD:
FILL LUBRICATION RESERVOIR WITH LUBRIPLATE FMO-200-AW PER INSTRUCTION MANUAL.
GAUGE PLATE SLIDE RODS:
COAT RODS LIGHTLY WITH LUBRIPLATE FMO-200-AW PER INSTRUCTION MANUAL.

12223
Label,
Hobart Access Cover



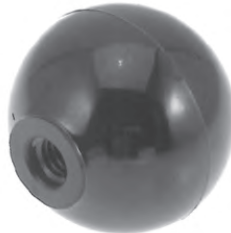
12195
Strain Relief

12085
Foot,
Lifting Lever



12147
Yoke,
Switch Rod

12153
Knob, Lifting Lever



12155
Push Nut



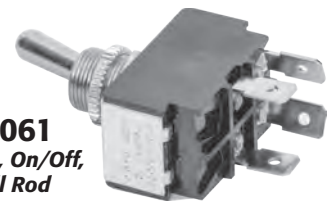
No Returns
on Electrical Items



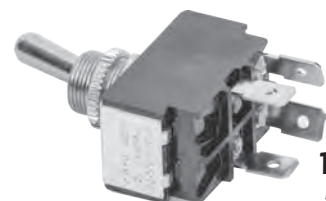
12229
Switch Guard,
Fits any machine
with a toggle switch

Part #	OEM #	Description	Fits Models
12031	BB-15-41	Motor Ball Bearing	Models 1612E, 1712E, 1712RE
12061	87711-148-1	Switch, On/Off, Pull Rod	Models 1612, 1712, 2612, 2712, HS Series
12085	108001	Foot, Lifting Lever	Models 1612, 1712, 1812, 1912, 2712, 2912
12093	N/A	Cord, Power	All
12147	N/A	Yoke, Switch Rod	Models 1612, 1712, 1712R
12148	N/A	Indicator Light	Models 1612, 1712, 1712R
12151	875567	Switch, Special Circuit	Models 1812, 1912, 2812, 2912
12153	106503	Knob, Lifting Lever	Models 1612, 1712, 1812, 1912
12155	106502	Push Nut	Models 1612, 1712, 1812, 1912
12163	271612-2	Switch, Start	Models 2612, 2712, 2812, 2912
12195	N/A	Strain Relief, Cord	All
12222	437479	Access Cover	Models 1612, 1712, 1812, 1912
12223	N/A	Access Cover Label	Models 1612, 1712, 1812, 1912
12229	N/A	Switch Guard	Fits any model

12061
Switch, On/Off,
Pull Rod



12151
Switch,
Special Circuit



Repair Kits for Slicer Carriages

Quantity	Part #	Description
1 ea.	12111	Knob
1 ea.	12112	Carriage Shaft
1 ea.	12113	Threaded Insert
1 ea.	12114	Cap, Screw & Nut
1 ea.	12115	Vial Locktite
1 ea.	12117	Cap Screw
2 ea.	12116	Set Screw

12106 Repair Kit Hobart Carriage for Shaft & Helicoil Includes:



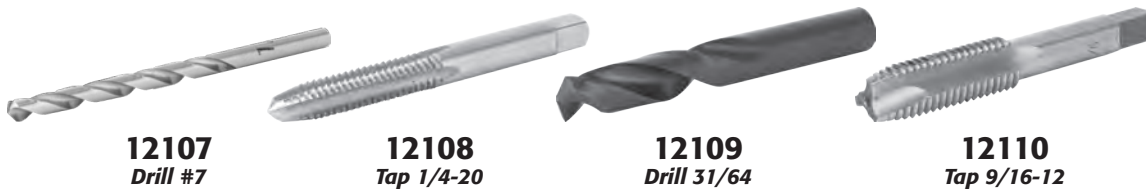
SHAFT REPLACEMENT

For Cast Aluminum Carriage:

1. Heat and punch out old shaft.
2. Drill & tap 2 holes for 1/4 - 20 set screws.
3. Apply locktite to shaft and install in carriage.
4. Install set screw with Locktite and cover holes with RTV silicone.

For Stainless Steel Carriage:

- NEW STYLE: Unscrew old shaft and replace with new shaft.
 OLD STYLE: (Welded Rod)
1. Cut off old shaft where it meets carriage.
 2. Weld on the 12117 Cap Screw, 5/16-18 and install new shaft.



Part #	Description
12107	Drill #7
12108	1/4-20 Tap
12109	31/64 Drill
12110	9/16-12 Tap

12107
Drill #7

12108
Tap 1/4-20

12109
Drill 31/64

12110
Tap 9/16-12

12103 Repair Kit

For Helicoil Only
Includes:

Quantity	Part #	Description
1 ea.	12113	Threaded Insert
1 ea.	12114	Cap Screw & Nut
1 ea.	12115	Vial Locktite



12111
Knob

12115
Locktite 5ml Vial

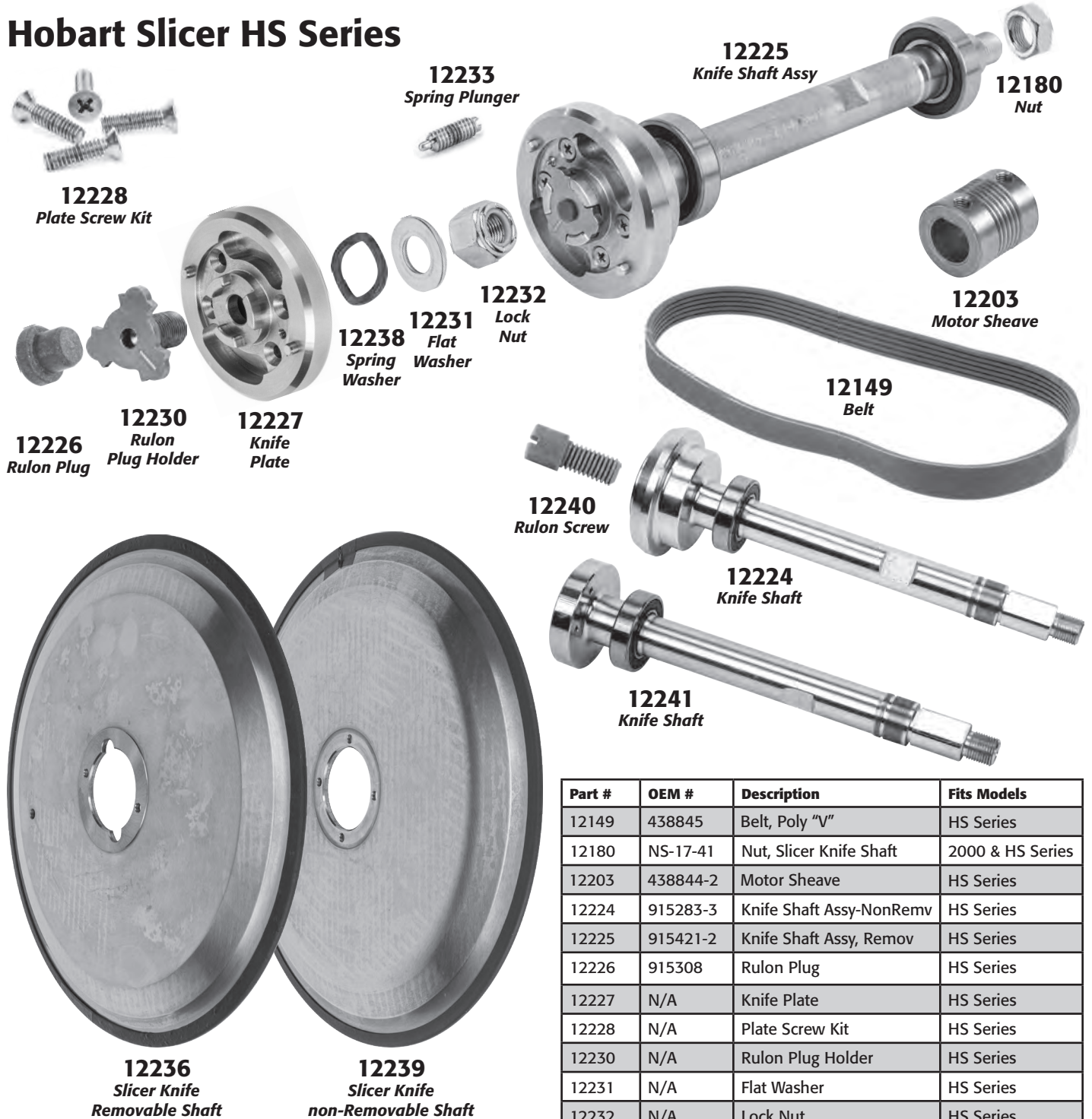
12113
Insert, Threaded

12114
Cap, Screw & Nut



12112
Shaft

Hobart Slicer HS Series



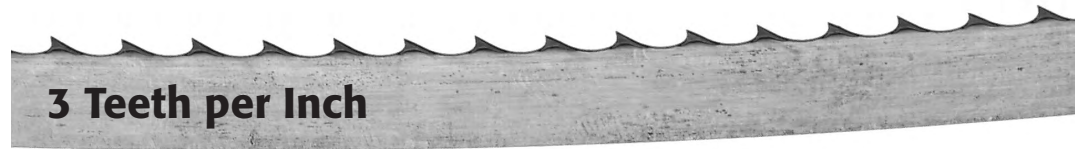
12237 Knife Screw Set

Part #	OEM #	Description	Fits Models
12149	438845	Belt, Poly "V"	HS Series
12180	NS-17-41	Nut, Slicer Knife Shaft	2000 & HS Series
12203	438844-2	Motor Sheave	HS Series
12224	915283-3	Knife Shaft Assy-NonRemv	HS Series
12225	915421-2	Knife Shaft Assy, Remov	HS Series
12226	915308	Rulon Plug	HS Series
12227	N/A	Knife Plate	HS Series
12228	N/A	Plate Screw Kit	HS Series
12230	N/A	Rulon Plug Holder	HS Series
12231	N/A	Flat Washer	HS Series
12232	N/A	Lock Nut	HS Series
12233	915137	Spring Plunger	HS Series
12236	914753	Slicer Knife, Remov	HS Series
12237	SC-114-99	Knife Screws, NonRemv	HS Series
12238	SL-005-18	Spring or Wave Washer	HS Series
12239	914753-2	Slicer Knife, NonRem	HS Series
12240	914561	Rulon Screw	HS Series
12241	00-915283-0003	Knife Shaft	HS Series

Bandsaw Blades for Hobart®, Butcher Boy®, Biro®

3 Teeth per Inch x .022

Part #	Length
21066	66
21072	72
21078	78
21091	91
21096	96
21098	98
21100	100
21106	106
21108	108
21112	112
21116	116
21118	118
21124	124
21126	126
21128	128
21135	135
21142	142
21154	154



Scalloped Edge

Part #	Length
23098	98
23112	112
23116	116
23124	124
23126	126
23128	128
23135	135
23142	142

Hobart

Part #	Length	Model
21098	98	5012, 5212, 5212F
21106	106	5013, 5213, 5313
21112	112	5014, 5114, 5214, 5413, 5414, 5514, 5514HS, 5614
21128	128	5016, 5116, 5216, 5216HS
21142	142	5700, 5701, 5801, 6801

Butcher Boy

Part #	Length	Model
21098	98	B-12, SA-12
21100	100	BB, ROYAL
21112	112	B-14, SA-14
21118	118	Easy Speed Sr.
21126	126	B-16, SA-16, H-6614
21154	154	SA-20

Biro

Part #	Length	Model
21078	78	A, 11
21091	91	AA, AA-1, 22
21108	108	1433
21112	112	Super BB
21116	116	33
21118	118	34
21124	124	3334, 3336
21135	135	44

Saws

Biro® Meat Saw

Saw Wheels



51090
16" Saw Wheel
Assembly,
Upper



51148
14" Saw Wheel
Assembly,
Upper



51124
Double V-Belt



51128
16" Saw
Wheel Assy,
Fixed Head
Hinge Plate,
Upper



51131
16" Saw
Wheel Assy,
Hinge Plate,
Upper



51088
16" Saw Wheel, Lower



51089
16" Saw Wheel, Upper



51137
14" Saw Wheel, Upper



51141
Grease Fitting

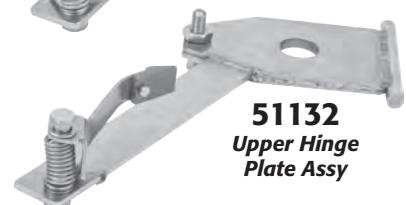


51138
14" Saw Wheel, Lower

Part #	OEM	Description	Model
51088	16003-6	Saw Wheel, Lower 16"	3334
51089	16003U	Saw Wheel, Upper 16"	3334
51090	A16003	Saw Wheel Assy, Upper 16"	3334
51124	14730	Double V-Belt	3334
51128	A16003U335-6E	Upper Saw Wheel Assy, Fixed Head Hinge Plate 16"	3334-FH
51129	N/A	Upper Hinge Plate Assy, Fixed Head	3334-FH
51131	A16003U335-6	Upper Saw Wheel Assy, Hinge Plate	3334
51132	N/A	Upper Hinge Plate Assy	3334
51137	A14003U-6	Saw Wheel, Upper 14"	1433, 1433FH
51138	14560	Saw Wheel, Lower 14"	1433, 1433FH
51141	360A1	Grease Fitting, Upper Wheel	1433, 1433FH
51148	A16003	Saw Wheel Assy, Upper 14"	1433, 1433FH



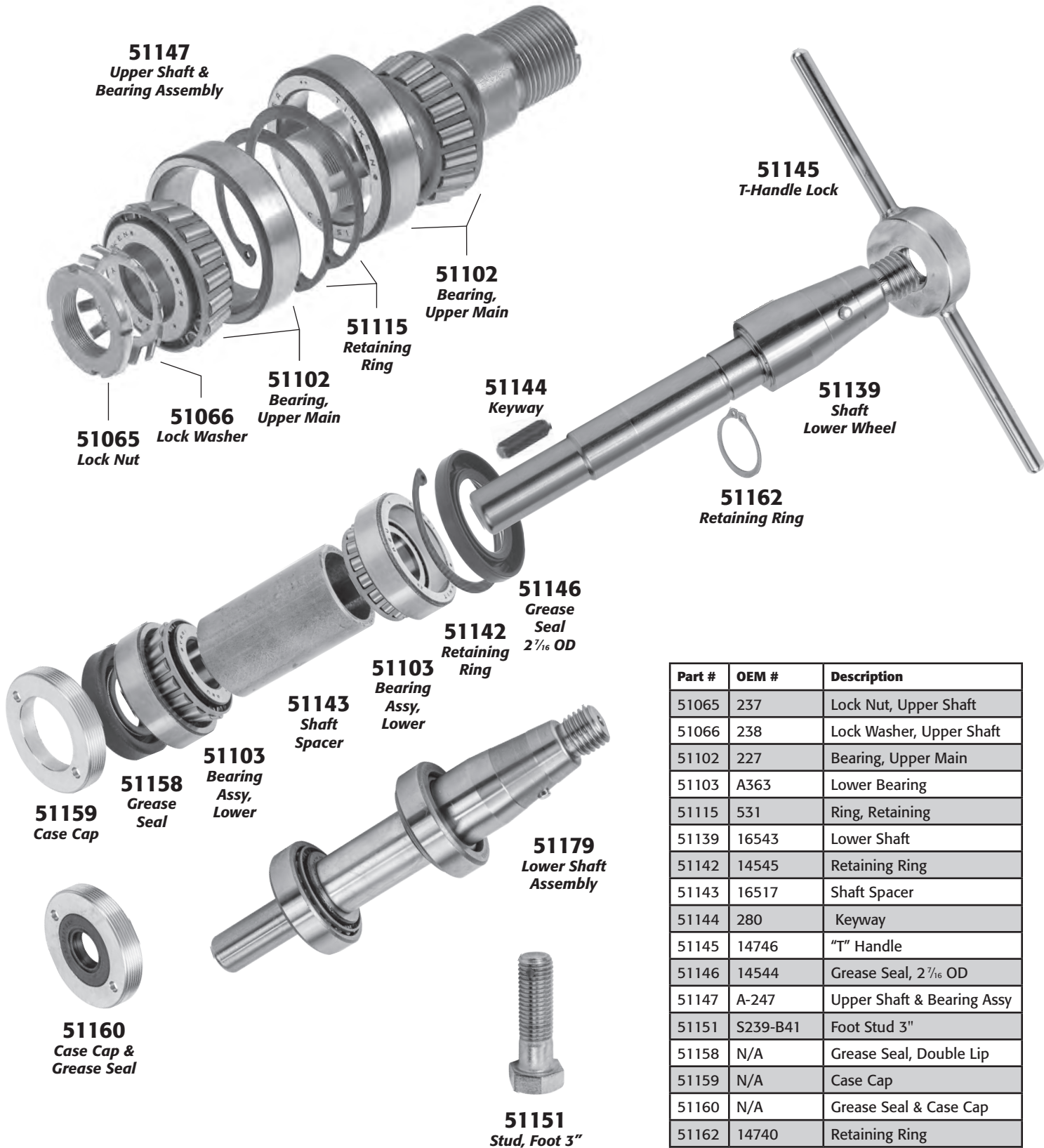
51129
Upper Hinge Plate
Assy, Fixed Head



51132
Upper Hinge
Plate Assy

Saw Fits Model 1433, 1433FH, 3334FH

Tapered Lower Shaft

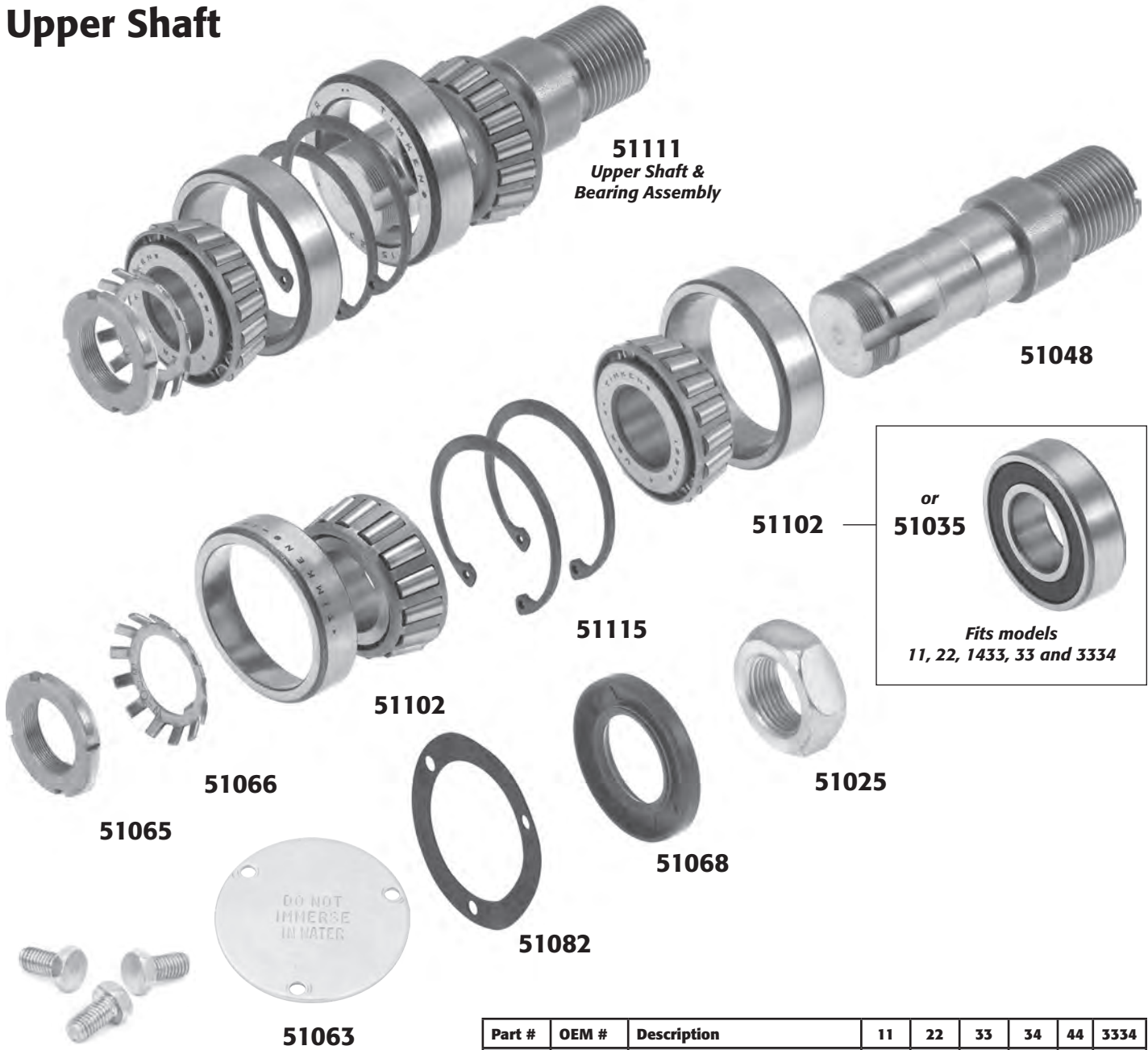


Part #	OEM #	Description
51065	237	Lock Nut, Upper Shaft
51066	238	Lock Washer, Upper Shaft
51102	227	Bearing, Upper Main
51103	A363	Lower Bearing
51115	531	Ring, Retaining
51139	16543	Lower Shaft
51142	14545	Retaining Ring
51143	16517	Shaft Spacer
51144	280	Keyway
51145	14746	"T" Handle
51146	14544	Grease Seal, 2 ⁷ / ₁₆ OD
51147	A-247	Upper Shaft & Bearing Assy
51151	S239-B41	Foot Stud 3"
51158	N/A	Grease Seal, Double Lip
51159	N/A	Case Cap
51160	N/A	Grease Seal & Case Cap
51162	14740	Retaining Ring
51179	N/A	Lower Shaft Assy

Saws

Biro® Meat Saw

Upper Shaft



51111
Upper Shaft & Bearing Assembly

51048

51102

or
51035

*Fits models
11, 22, 1433, 33 and 3334*

51115

51102

51025

51066

51068

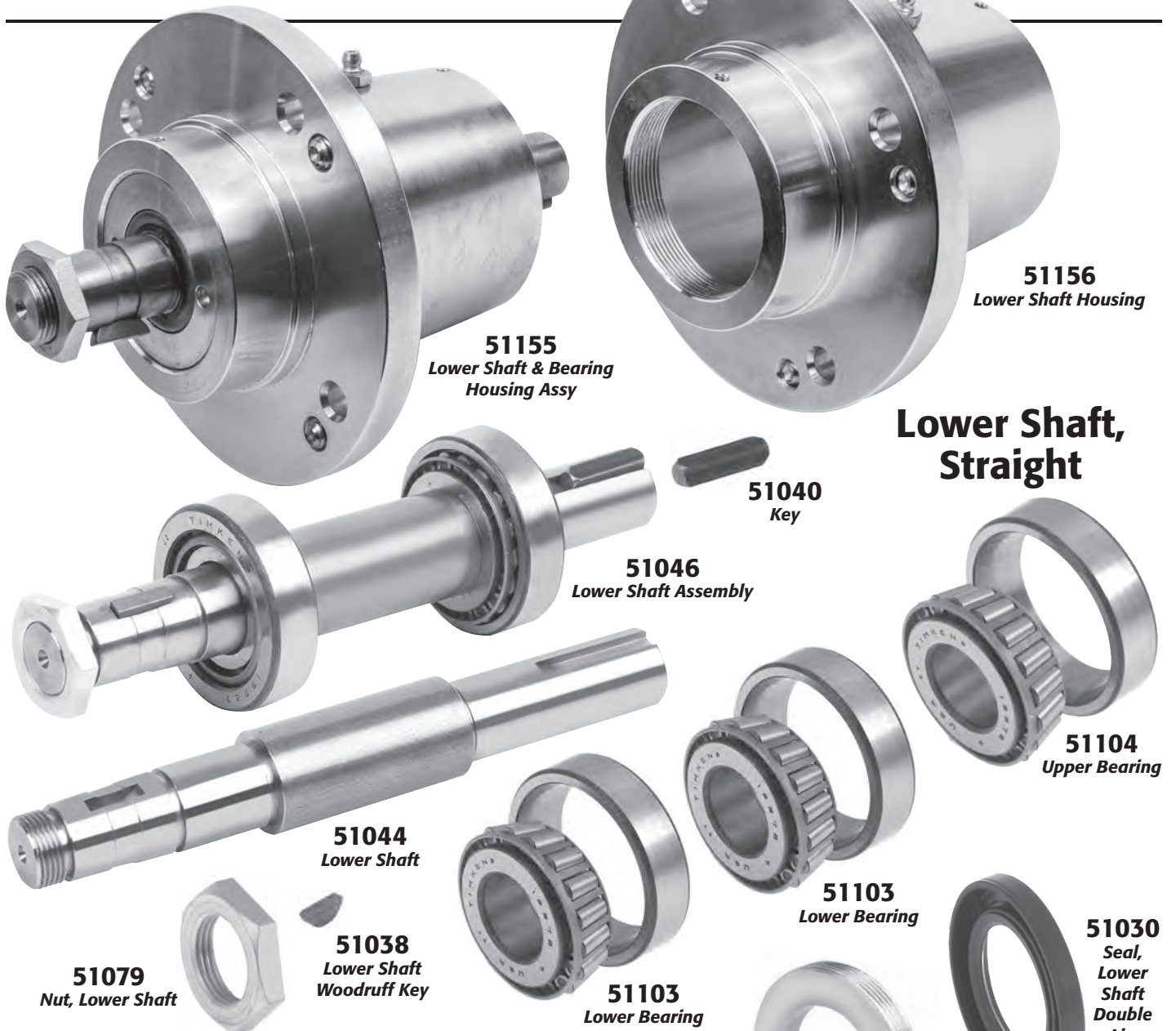
51065

51082

51063
Hub Cap

51135
Hub Cap Screws
3 PCS PKG

Part #	OEM #	Description	11	22	33	34	44	3334
51025	252	Nut, Main Shaft	X	X	X	X	X	X
51035	N/A	Bearing, Upper Main	X	X	X			X
51048	247	Shaft, Upper Wheel	X	X	X	X	X	X
51063	248	Hub Cap	X	X	X	X	X	X
51065	237	Lock Nut, Upper Shaft	X	X	X	X	X	X
51066	238	Lock Washer, Upper Shaft	X	X	X	X	X	X
51068	230	Seal, Main Shaft	X	X	X	X	X	X
51082	513	Gasket, Hub (Neoprene)	X	X	X	X	X	X
51102	227	Bearing, Upper Main	X	X	X	X	X	X
51111	A16247	Upper Shaft & Bearing Assy.	X	X	X	X	X	X
51115	531	Ring, Retaining	X	X	X	X	X	X
51135	N/A	Hub Cap Screws, 3 Pkg	X	X	X	X	X	X



Part #	OEM	Description	11	22	33	34	44	1433	3334
51030	231DL	Seal, Lower Shaft Double Lip	X	X	X	X		X	X
51033	N/A	Seal and Case Cap Assy			X	X			X
51036	362	Lower Bearing Case Cap			X	X			X
51038	300	Lower Shaft Woodruff Key	X	X	X	X			X
51040	277	Key, Lower Shaft	X	X	X	X	X		
51044	16361	Lower Shaft			X				X
51046	N/A	Lower Shaft Assembly			X				X
51079	303	Nut, Lower Shaft			X	X			X
51103	363	Lower Bearing - 2 Required				X	X		X
51104	227	Upper Bearing					X		
51150	S239B14-4	Stud, Foot 4"			X				X
51155	A16547	Lower Bearing Housing Assy			X				X
51156	16547	Lower Bearing Housing			X				X



51156
Lower Shaft Housing

51155
Lower Shaft & Bearing
Housing Assy

**Lower Shaft,
Straight**

51040
Key

51046
Lower Shaft Assembly

51104
Upper Bearing

51044
Lower Shaft

51103
Lower Bearing

51079
Nut, Lower Shaft

51038
Lower Shaft
Woodruff Key

51103
Lower Bearing

51030
Seal,
Lower
Shaft
Double
Lip

51036
Lower Bearing Case Cap

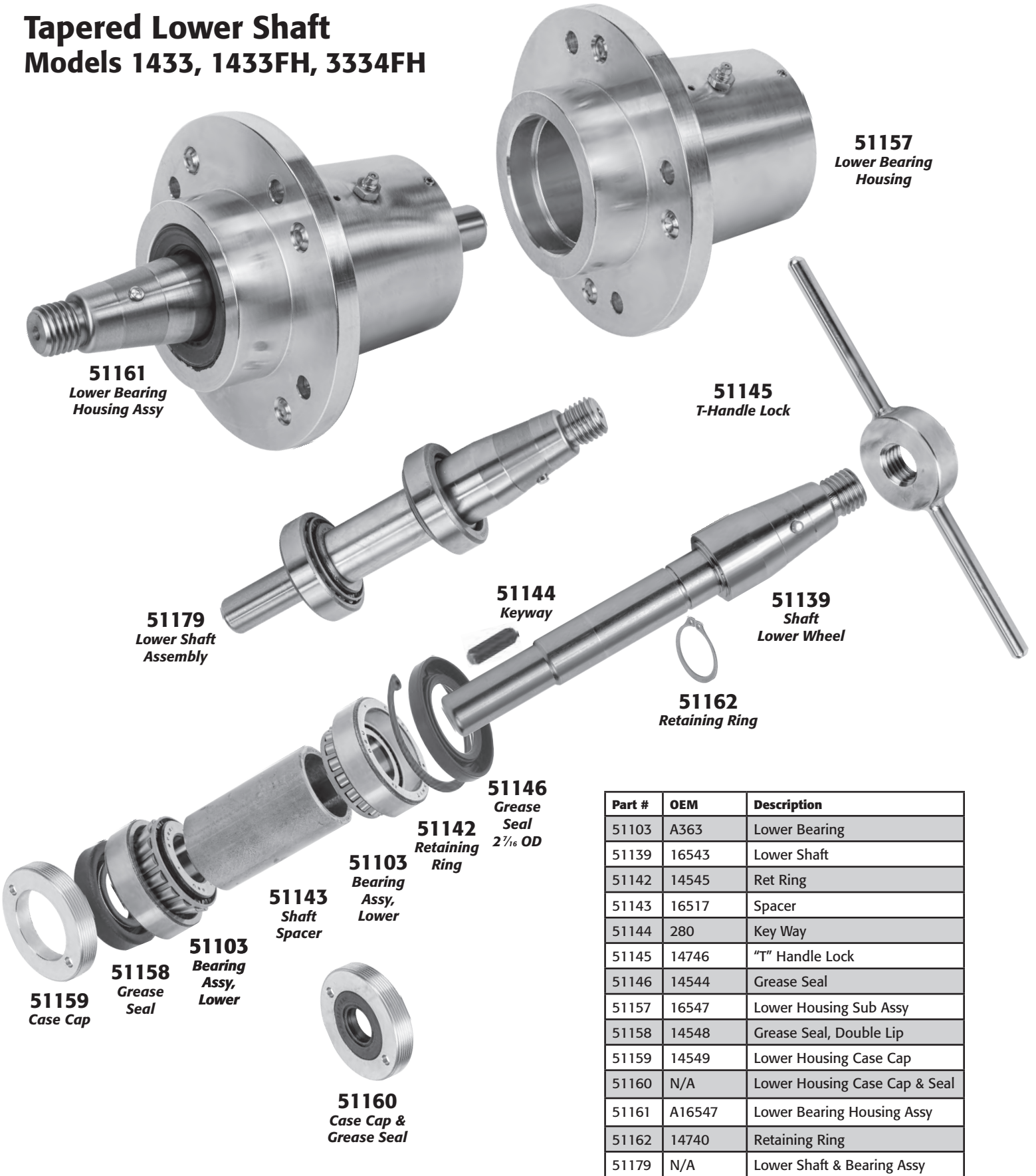
51150
Stud, Foot 4"

51033
Seal and Case Cap Assy

Saws

Biro® Meat Saw

Tapered Lower Shaft Models 1433, 1433FH, 3334FH



51161
Lower Bearing
Housing Assy

51157
Lower Bearing
Housing

51145
T-Handle Lock

51179
Lower Shaft
Assembly

51144
Keyway

51139
Shaft
Lower Wheel

51162
Retaining Ring

51146
Grease
Seal
2 7/16 OD

51142
Retaining
Ring

51103
Bearing
Assy,
Lower

51143
Shaft
Spacer

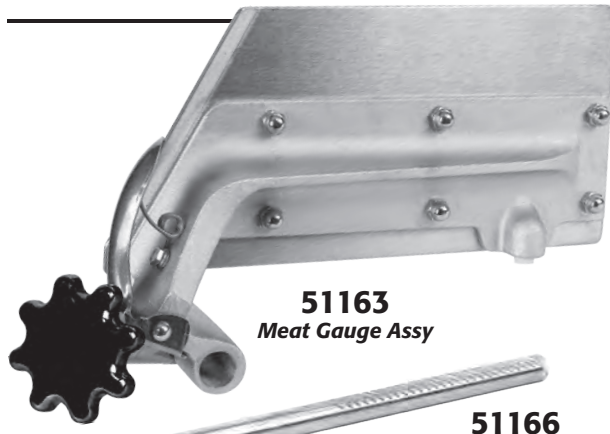
51103
Bearing
Assy,
Lower

51158
Grease
Seal

51159
Case Cap

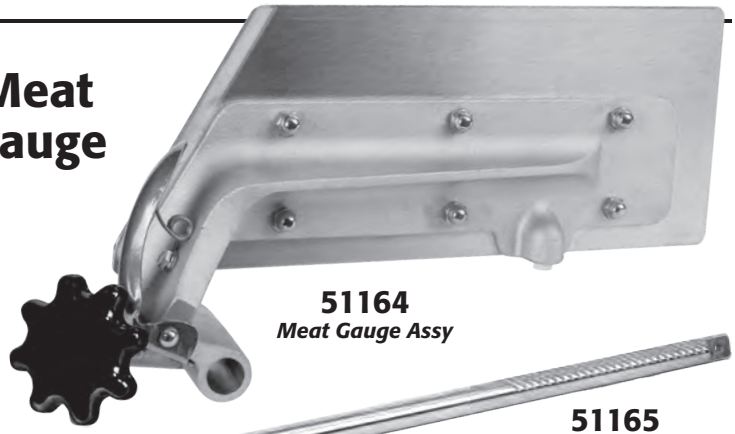
51160
Case Cap &
Grease Seal

Part #	OEM	Description
51103	A363	Lower Bearing
51139	16543	Lower Shaft
51142	14545	Ret Ring
51143	16517	Spacer
51144	280	Key Way
51145	14746	"T" Handle Lock
51146	14544	Grease Seal
51157	16547	Lower Housing Sub Assy
51158	14548	Grease Seal, Double Lip
51159	14549	Lower Housing Case Cap
51160	N/A	Lower Housing Case Cap & Seal
51161	A16547	Lower Bearing Housing Assy
51162	14740	Retaining Ring
51179	N/A	Lower Shaft & Bearing Assy



51163
Meat Gauge Assy

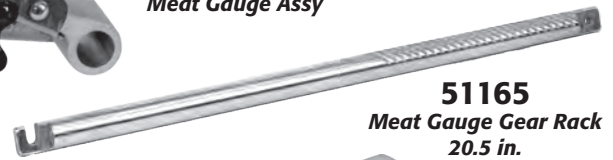
Meat Gauge



51164
Meat Gauge Assy



51166
*Meat Gauge Gear Rack
16 in.*



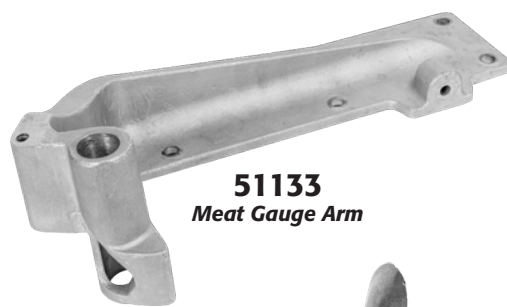
51165
*Meat Gauge Gear Rack
20.5 in.*



51178
Meat Gauge Plate



51176
Meat Gauge Plate



51133
Meat Gauge Arm



51169
Acorn Cap Nuts



51177
Meat Gauge Arm



51172
Hand Wheel



51171
*Meat Gauge
Worm Gear*



51173
Release Handle



51174
*Meat Gauge
Release Pin*



51170
Plastic Slide Screw



51011
Release Spring



51134
*Hand Wheel
Roll Pin*



51175
*Release Pin
Cotter Pins*

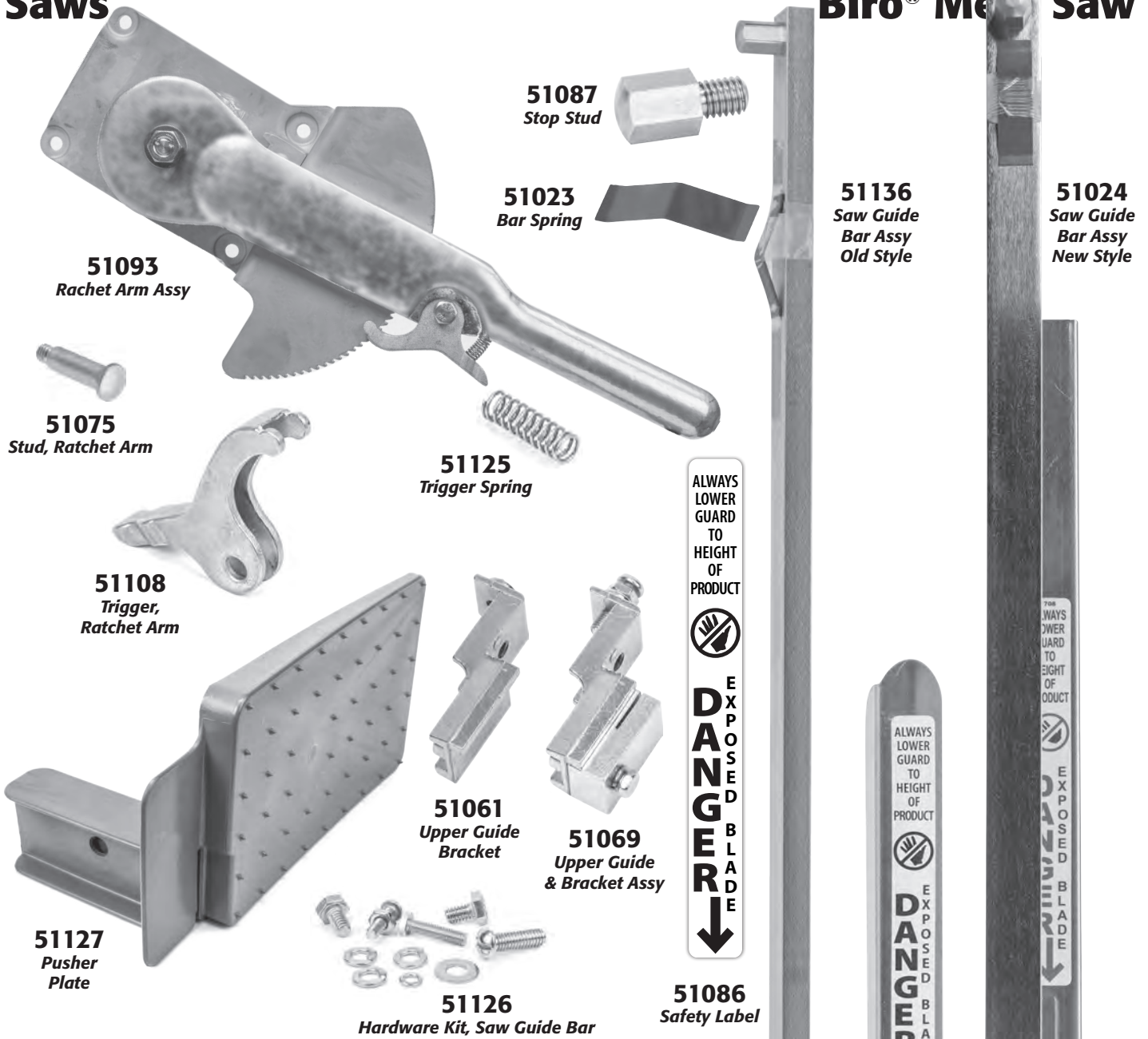


51180
*Release Pin
Screw*

Part #	OEM #	Description	Fits Models
51011	265	Meat Gauge Release Spring	1433, 1433FH, 3334, 3334FH
51133	14275	Meat Gauge Arm	1433, 1433FH
51134	264G	Handwheel Roll Pin	All models
51163	A14275	Meat Gauge Assembly	1433, 1433FH
51164	AS16275	Meat Gauge Assembly	3334, 3334FH
51165	16272	Meat Gauge Gear Rack	3334, 3334FH
51166	14272	Meat Gauge Gear Rack	1433, 1433FH
51169	272-8	Cap Nut, Acorn	1433, 1433FH, 3334, 3334FH
51170	HHS049NL	Slide Screw, Plastic	1433, 1433FH, 3334, 3334FH
51171	271	Meat Gauge Worm Gear	1433, 1433FH, 3334, 3334FH
51172	264-1	Meat Gauge Hand Wheel	1433, 1433FH, 3334, 3334FH
51173	S262	Meat Gauge Releaser Handle	1433, 1433FH, 3334, 3334FH
51174	270	Meat Gauge Release Pin	1433, 1433FH, 3334, 3334FH
51175	267	Meat Gauge Cotter Key	1433, 1433FH, 3334, 3334FH
51176	S16275	Meat Gauge Plate	3334, 3334FH
51177	16278	Meat Gauge Arm	3334, 3334FH
51178	14275-5	Meat Gauge Plate	1433, 1433FH
51180	PHS25S	Screw, Release Pin	All models

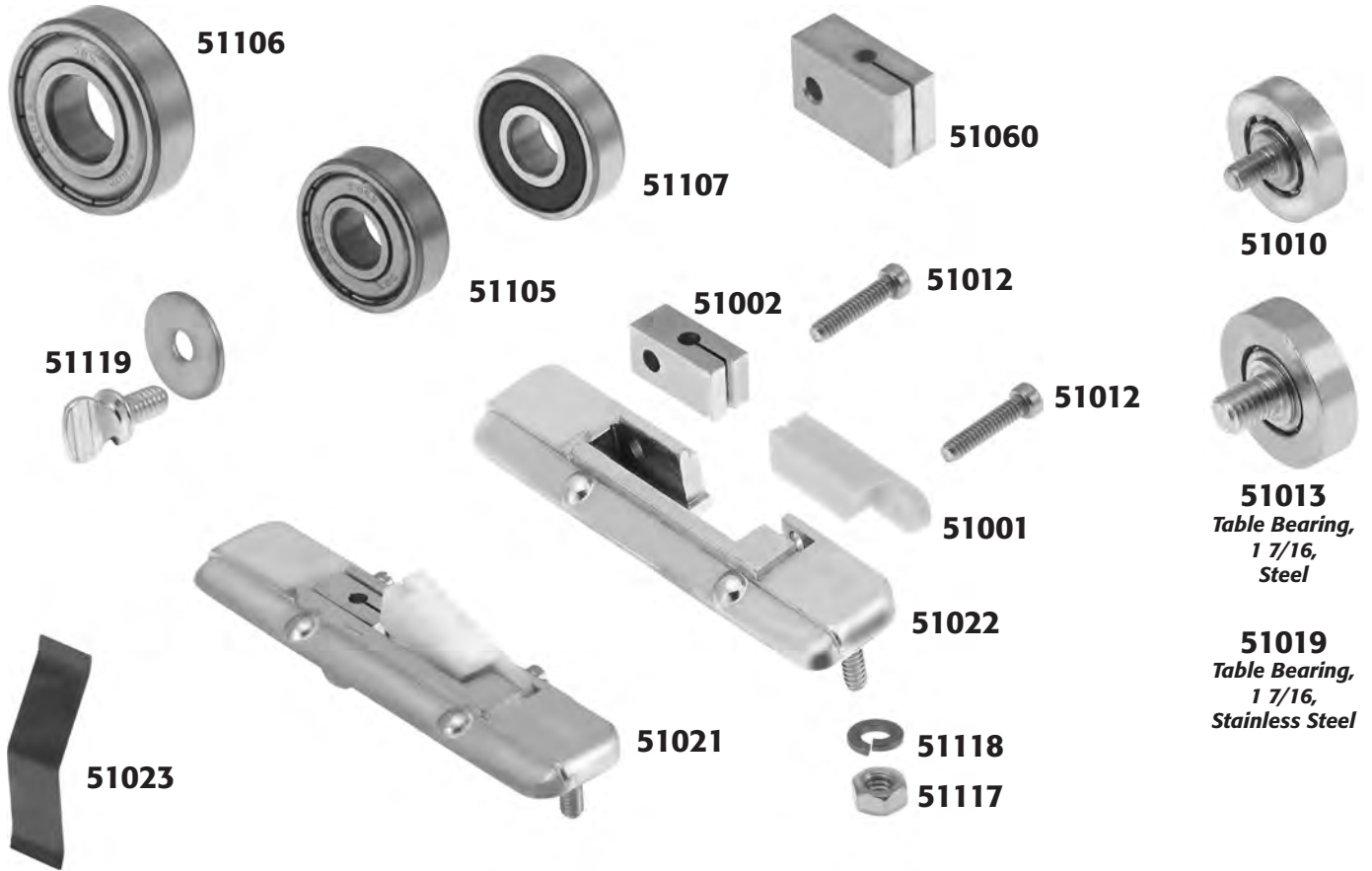
Saws

Biro® Me Saw



Part #	OEM #	Description	Fits Models
51023	193	Bar Spring	22, 33, 34, 44, 1433, 3334, 4436
51024	A116-32	Saw Guide Bar Assy New Style	3334
51061	601	Upper Guide Bracket	All Models except 55
51069	601	Upper Guide & Bracket Assy	All Models except 55
51075	S189	Stud, Ratchet Arm	All Models
51086	N/A	Safety Label	All Models
51087	S200B1	Stop Stud	22, 34, 44, 1433, 3334
51093	A19-1	Ratchet Arm Assy	11, 22, 33, 34, 1433, 3334
51108	11	Trigger	11, 22, 33, 34, 44, 1433, 3334, 4436
51125	240	Trigger Spring	11, 22, 33, 34, 44, 1433, 3334, 4436
51126	N/A	Hardware Kit, Saw Guide Bar	3334
51127	256P	Pusher Plate	All Models
51136	A116-22	Saw Guide Bar Assy Old Style	3334

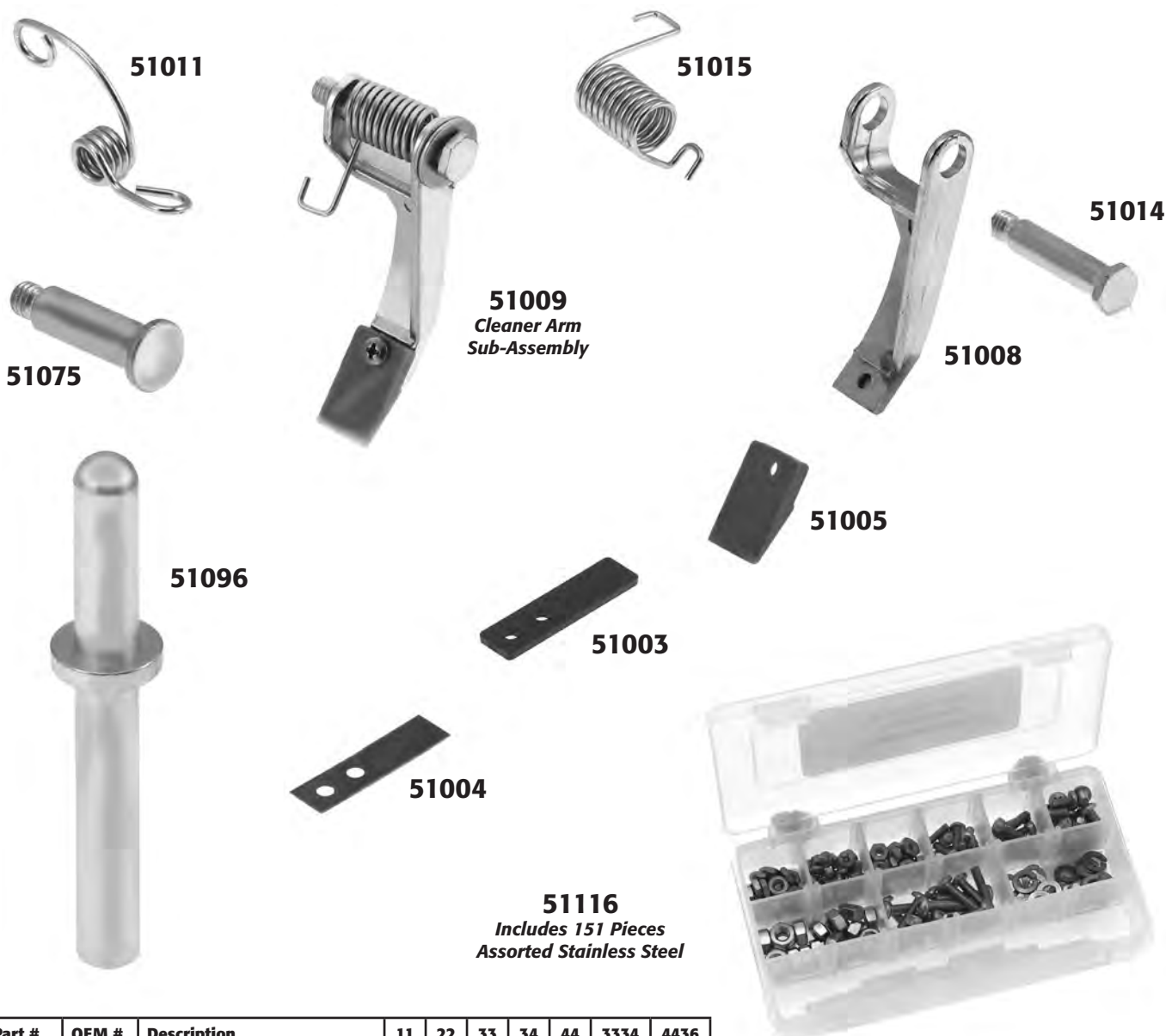
8 Biro® Saw



Part #	OEM #	Description	11	22	33	34	44	3334	4436
51001	177	Filler Block	X	X	X	X	X	X	X
51002	119	Saw Guide, Lower	X	X	X	X	X	X	X
51010	159	Bearing, Table 1-3/16"	X	X	X	X	X	X	X
51012	S268	Filler & Guide Stud	X	X	X	X	X	X	X
51013	16159	Bearing, Table 1-7/16"	X	X	X	X	X	X	X
51019	16159	Bearing, Table 1-7/16" SS	X	X	X	X	X	X	X
51021	A415D	Stationary Bar Assembly	X	X	X	X	X	X	X
51022	415D	Stationary Bar	X	X	X	X	X	X	X
51023	193	Spring, Saw Guide Bar	X	X	X	X	X	X	X
51060	602B	Saw Guide, Upper	X	X	X	X	X	X	X
51105	228	Bearing, Saw Guide		X	X				
51106	228	Bearing, Saw Guide				X	X		
51107	228	Bearing, Saw Guide (W/Neo)		X	X				
51117	N/A	Nut, SS (10/Pkg)	X	X	X	X	X	X	X
51118	N/A	Washer, SS (10/Pkg)	X	X	X	X	X	X	X
51119	175-2-S	Thumb Screw & Washer	X	X	X	X	X	X	X

Saws

Biro® Meat Saw



Part #	OEM #	Description	11	22	33	34	44	3334	4436
51003	131	Blade Scraper	X	X	X	X	X	X	X
51004	131	Blade Scraper (Steel)	X	X	X	X	X	X	X
51005	179	Wheel Cleaner	X	X	X	X	X	X	X
51007	311	Bumper, Table					X		X
51008	S295	Arm, Wheel Cleaner	X	X	X	X	X	X	X
51009	A295	Cleaner Arm Sub-Assembly	X	X	X	X	X	X	X
51011	265	Spring, Gauge	X	X	X	X	X	X	
51014	S244	Stud, Cleaning Arm	X	X	X	X	X	X	X
51015	S229	Spring, Cleaning Arm	X	X	X	X	X	X	X
51020	130	Knob, Finger-Lift Fastener	X	X	X	X	X	X	X
51054	304	Stud, Stop Lock	X	X	X			X	
51075	S189	Stud, Ratchet Arm	X	X	X	X	X	X	
51096	111	Pin, Tension Spring			X	X		X	
51116	N/A	Hardware Kit	X	X	X	X	X	X	X



10 Biro® Saw

Biro Saw Repair Kits

*Repair Kit #51101
For All Models*

51001
Filler Blocks



51005
Cleaner, Wheel



51003
Blade Scraper

51004
Blade Scraper
(Steel)

*Repair Kit #51120
Models 11, 22, 33, 3334*

51001
Filler Blocks



51060
Saw Guide,
Upper



51012
Stud,
Filler & Guide



51003
Blade Scraper



51004
Blade Scraper
(Steel)



51007
Bumper



51002
Saw Guide,
Lower



51005
Cleaner, Wheel



*Repair Kit #51121
Models 11, 22, 33, 3334*

51001
Filler Blocks



51005
Cleaner, Wheel



51007
Bumper



51003
Blade Scraper



51012
Stud,
Filler & Guide



51002
Saw Guide, Lower



51119
Thumb Screw
& Washer



51105
Saw Guide



51004
Blade Scraper
(Steel)



Saw Wheels

61068
*16" Upper
Saw Wheel*



61069
*Saw Wheel
Assembly,
Upper*



61070
*Saw Wheel,
Lower*

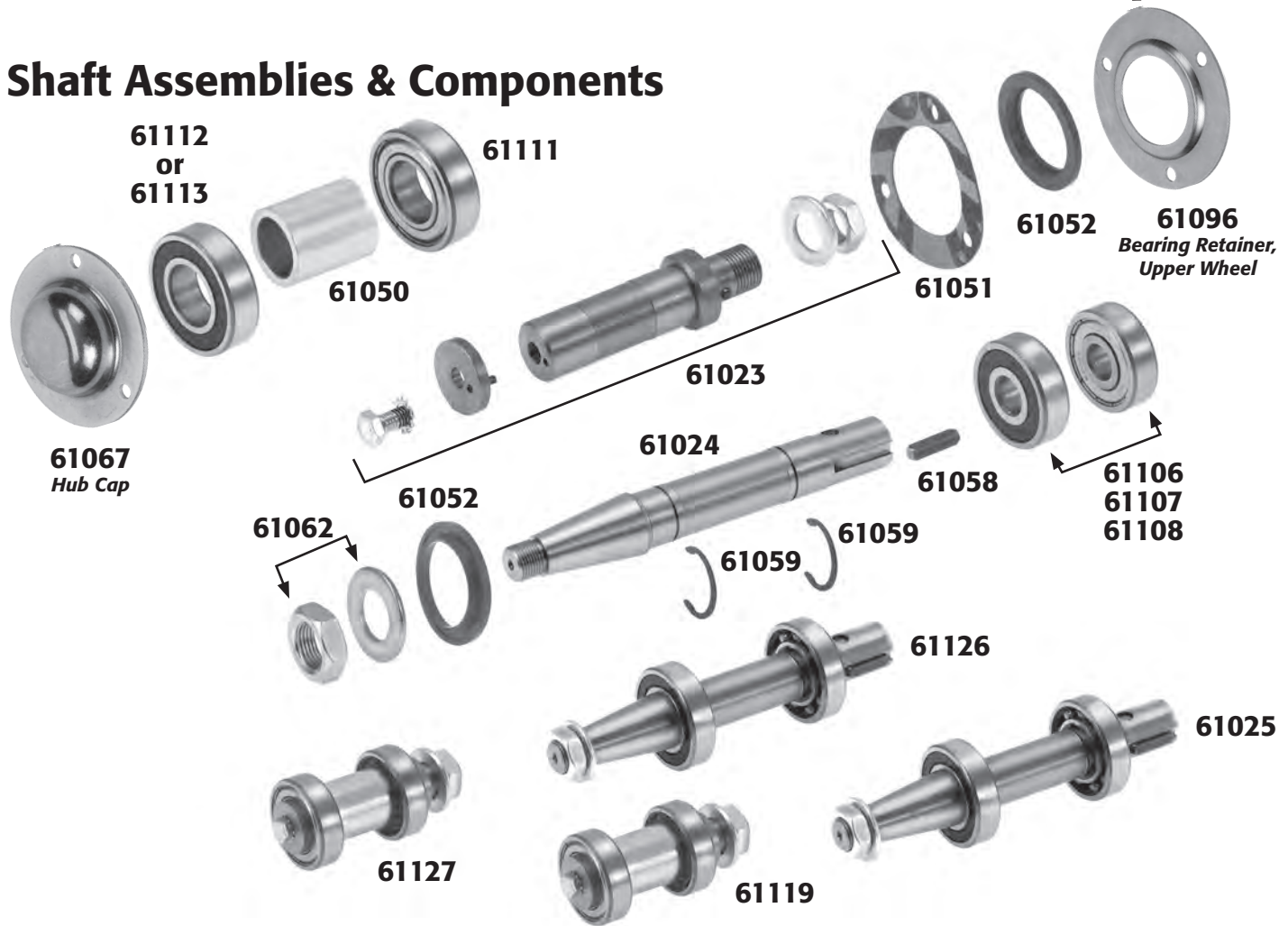


Part #	OEM #	Description	B16	1640	(Cobra16)
61068	16040	16" Upper Saw Wheel	X	X	X
61069	16038	Saw Wheel Assembly, Upper	X	X	X
61070	16041	Saw Wheel, Lower	X	X	X

Saws

Butcher Boy® Saw

Shaft Assemblies & Components



Part #	OEM #	Description	B12	B14	B16	1435	1640	SA20	(Cobra 14)	(Cobra 16)
61023	(7) 10150	Shaft, Upper Wheel	X	X	X	X	X	X	X	X
61024	(23) 10023	Shaft, Lower Wheel	X	X	X	X	X	X	X	X
61025	10575	Shaft, Assembly, Lower Wheel	X	X	X	X	X	X	X	X
61050	(6A) 10258	Spacer, Upper Bearing	X	X	X	X	X	X	X	X
61051	(41C) 10127	Wheel Gasket	X	X	X	X	X	X	X	X
61052	(41D) 90400	Seal, Bearing (Upper & Lower)	X	X	X	X	X	X		
61058	(23B) 59347-8	Key, Lower Shaft	X	X	X	X	X	X		
61059	(24C) 90200	Snap Ring, Lower Shaft	X	X	X	X	X	X		
61062	10770	Nut & Washer, Lower Shaft	X	X	X	X	X	X		
61067	(41C) 10031	Hub Cap	X	X	X	X	X	X	X	X
61096	(41A) 10030	Bearing Retainer, Upper Wheel	X	X	X	X	X	X	X	X
61106	(24) 90300	Bearing, Lower Main	X	X	X	X	X	X	X	X
61107	(24) 90300	Bearing Lower Main w/One Neoprene Seal	X	X	X	X	X	X	X	X
61108	(24) 90300	Bearing, Lower Main w/ Two Neoprene Seals	X	X	X	X	X	X	X	X
61111	(6) 90302	Bearing, Upper Main	X	X	X	X	X	X	X	X
61112	(6) 90302	Bearing, Upper Main W/One Neoprene Seal	X	X	X	X	X	X	X	X
61113	(6) 90302	Bearing, Upper Main W/Two Neoprene Seals	X	X	X	X	X	X	X	X
61119	101574	Shaft Assembly, Upper Wheel	X	X	X	X	X	X	X	X
61126	10575	Shaft Assembly, Lower Wheel w/Neoprene Seals	X	X	X	X	X	X	X	X
61127	101574	Shaft Assembly, Upper Wheel w/Neoprene Seals	X	X	X	X	X	X	X	X

2 Butcher Boy® Saw

Table Components



61101



61016



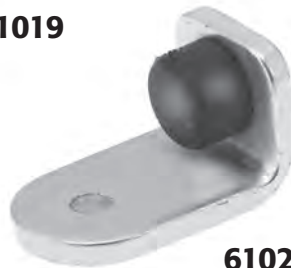
61017



61018



61019



61022



61020

1"



61027

1 1/2"



61035



61134

Hardware Kit

Consists of 215 pieces of assorted stainless steel hardware in a sturdy plastic container.



61064



61046

Switch, also fits Grinders TCA12, 22, 32



61138

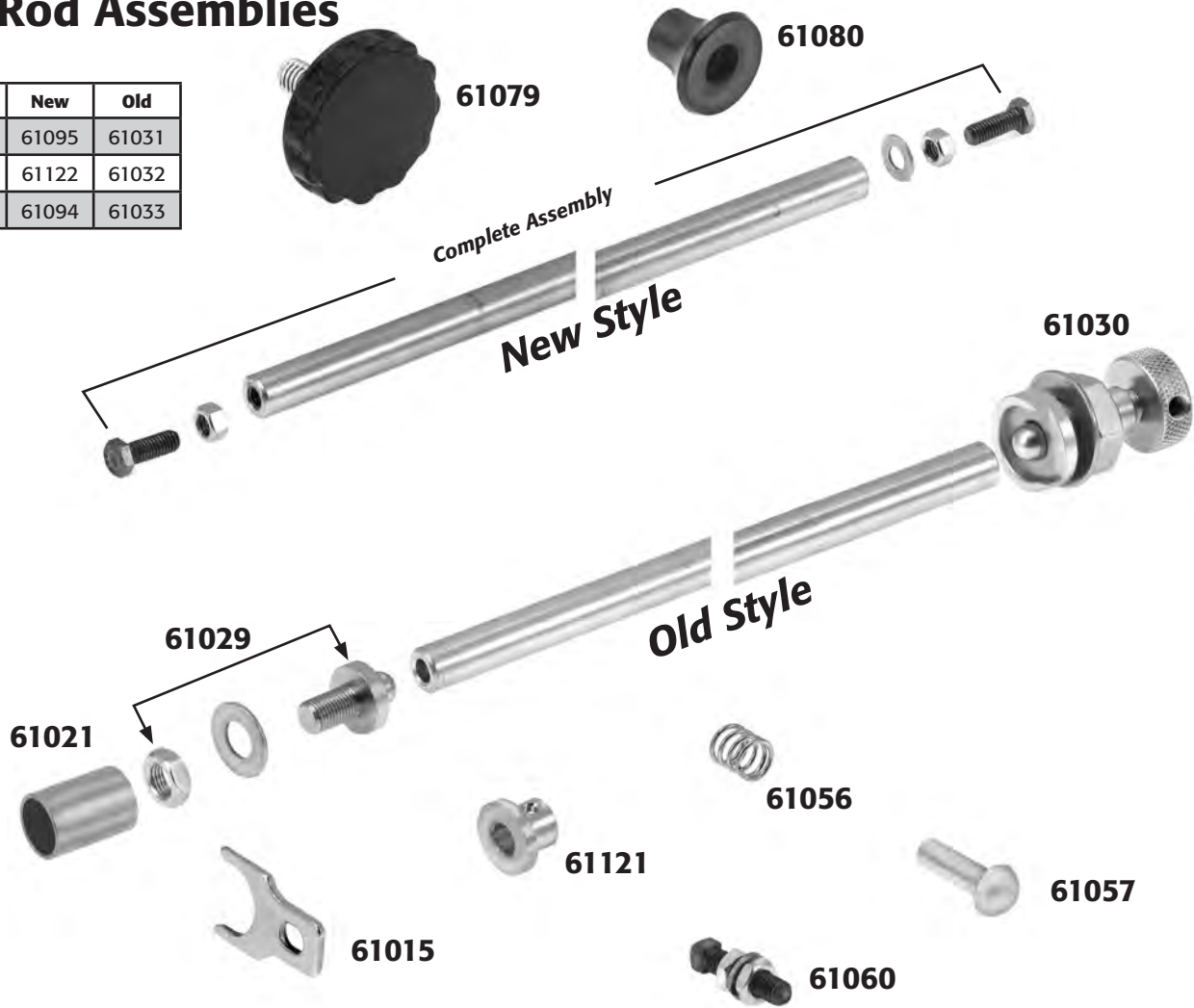
Micro Switch, Door Safety

No Returns on Electrical Items

Part #	OEM #	Description	B12	B14	B16	1435	1640	SA20	(Cobra 14)	(Cobra 16)
61016	(11F) 10065	Table Roller Flat	X	X	X	X	X	X		
61017	(11V)	Table Roller "V" Groove	X	X	X	X	X	X		
61018	(11U) 10068	Table Roller "U" Groove	X	X	X	X	X	X		
61019	(46A) 90612	Table Bumper	X	X	X	X	X	X	X	X
61020	(66) 10303	Thumb Screw	X	X	X	X	X	X		
61022	46-100037	Table Stop Assembly	X	X	X	X	X	X		
61027	56C	Thumb Screw	X	X	X	X	X	X		
61035	11B	Pin, Table Holding	X	X	X	X	X	X	X	X
61046	(21) 93020	Switch	X	X	X	Also fits Grinders TCA12, 22, 32				
61064	(56F) 10293	Lock, Lever Adjusting	X	X	X	X	X	X		
61101	(11C) 10329	Axle & Nuts, Table Bearing	X	X	X	X	X	X		
61134	N/A	Hardware Kit	X	X	X	X	X	X		
61138	93855	Micro Switch, Door Safety		X	X				X	X

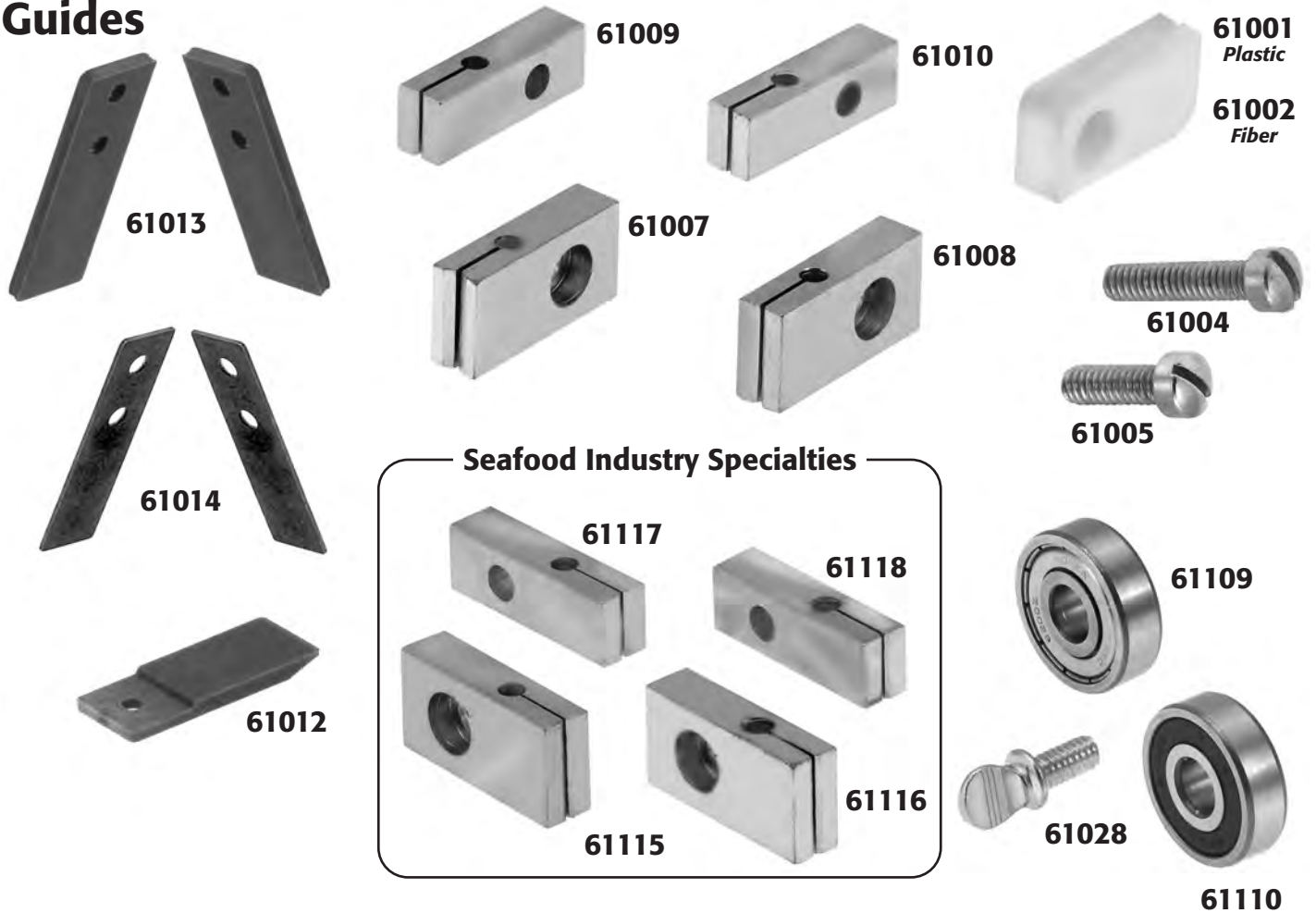
Gauge Rod Assemblies

Model #	New	Old
B-12	61095	61031
B-14	61122	61032
B-16	61094	61033



Part #	OEM #	Description	B12	B14	B16	1435	1640	SA20	(Cobra 14)	(Cobra 16)
61015	(66) 10313	End Catch, Gauge Arm	X	X	X	X	X		X	X
61021	(628) 90700	Gauge Bushing	X	X	X	X	X		X	X
61029	(69A)	Pin, Rod Liner	X	X	X	X	X		X	X
61030	(69B) 12335	Rod Mount, Locking Pin	X	X	X	X	X		X	X
61031	69/12	Gauge Rod, B12 O/S	X							
61032	69/14	Gauge Rod, B14 O/S		X						
61033	69/16	Gauge Rod, B16 O/S			X					
61056	(61A) 10314	Spring, Measuring Arm	X	X	X	X	X		X	X
61057	(61B) 10211	Pin, Measuring Arm	X	X	X	X	X		X	X
61060	(63B) 10328	Lock Stud	X	X	X	X	X		X	X
61079	(37A)	Knob, Adjust, Bar Guide	X	X	X			X		
61080	(3D) 10150	Knob, Door Pull	X	X	X					
61094	16535	Gauge Rod, B16 N/S			X					
61095	12335	Gauge Rod, B12 N/S	X							
61121	N/A	Worm Cap, Gauge Spindle	X	X	X	X	X		X	X
61122	14335	Gauge Rod, B14 N/S		X						

Guides



Part #	OEM #	Description	B12	B14	B16	1435	1640	SA20	(Cobra 14)	(Cobra 16)
61001	20-1000	Filler Block - Plastic	X	X	X	X	X		X	X
61002	10000	Filler Block - Fiber	X	X	X	X	X		X	X
61004	(20AL) FH55	Filler Stud-Long	X	X	X	X	X	X	X	X
61005	(20AS) FH55	Filler Stud-Short	X	X	X	X	X	X	X	X
61007	(21) 10002	Saw Guide Lower	X	X	X	X	X		X	X
61008	21VC 01 20785	Saw Guide Lower w/Plug	X	X	X	X	X		X	X
61009	(53)10074	Saw Guide Upper	X	X	X	X	X	X	X	X
61010	(53VC) 70353	Saw Guide Upper w/Plug	X	X	X	X	X	X	X	X
61012	(33) 10040	Wheel Cleaner	X	X	X	X	X	X	X	X
61013	(73F) 10300	Blade Scraper	X	X	X	X	X			
61014	(73S) 10310	Blade Scraper Steel	X	X	X	X	X			
61028	(52A) 10369	Thumb Screw, Bearing	X	X	X	X	X			
61109	27	Bearing Saw Guide	X	X	X	X	X	X	X	X
61110	52	Bearing Saw Guide w/Neo Seal	X	X	X	X	X	X	X	X
61115	N/A	Saw Guide Lower Fish	X	X	X	X	X	X	X	X
61116	N/A	Saw Guide Lower Fish, w/Plug	X	X	X	X	X	X	X	X
61117	N/A	Saw Guide Upper Fish	X	X	X	X	X	X	X	X
61118	N/A	Saw Guide Upper Fish, w/Plug	X	X	X	X	X	X	X	X

Saws

Butcher Boy® Saw

Tension Adjusting Components



Part #	OEM #	Description	B12	B14	B16	1435	1640	SA20	(Cobra 14)	(Cobra 16)
20002	N/A	Food Machine Lubricant (16 oz.)	X	X	X	X	X	X	X	X
61053	(35) 14475	Screw & Nut Upper Wheel Adjustment		X	X	X	X			X
61065	(31E) 10082	Spring Tension Gauge	X	X	X	X	X	X	X	X
61083	16089	Rod And Indicator Assembly			X		X			X
61091	(318) 10056	Tension Gauge Indicator			X		X	X		X
61092	35A	Screw & Nut, Wheel Adjusting	X	X	X	X	X	X	X	X
61093	(31K) 10034	Threaded Insert			X		X			X
61114	(31G) 16034	Pin Tension Gauge N/S			X		X	X		X
61125	N/A	Extractor			X		X			X
61135	(31F) 16095	Tension Gauge Spring & Pin Kit			X		X	X		X
61136	(31J) 10033	Tension Gauge Rod			X		X	X		X
61137	(30C) 16090	Tension Gauge Handle			X		X	X		X

6 Butcher Boy® Saw

Repair Kit #61123

Model #B-12, B-14, B-16



61009
Saw Guide,
Upper



61007
Saw Guide,
Lower



61015
End Catch,
Gauge Arm
Support



61019
Table Bumper



61013
Blade Scraper



61014
Blade Scraper
(Steel)



61001
Filler Blocks



61028
Thumb Screw, Bearing



61109
Bearing,
Saw Guide



61012
Wheel Cleaner

Repair Kit #61124

Model #B-12, B-14, B-16 (Saw Guides with Plugs)



61010
Saw Guide,
Upper



61008
Saw Guide,
Lower



61015
End Catch,
Gauge Arm
Support



61013
Blade Scraper



61014
Blade Scraper
(Steel)



61001
Filler Blocks

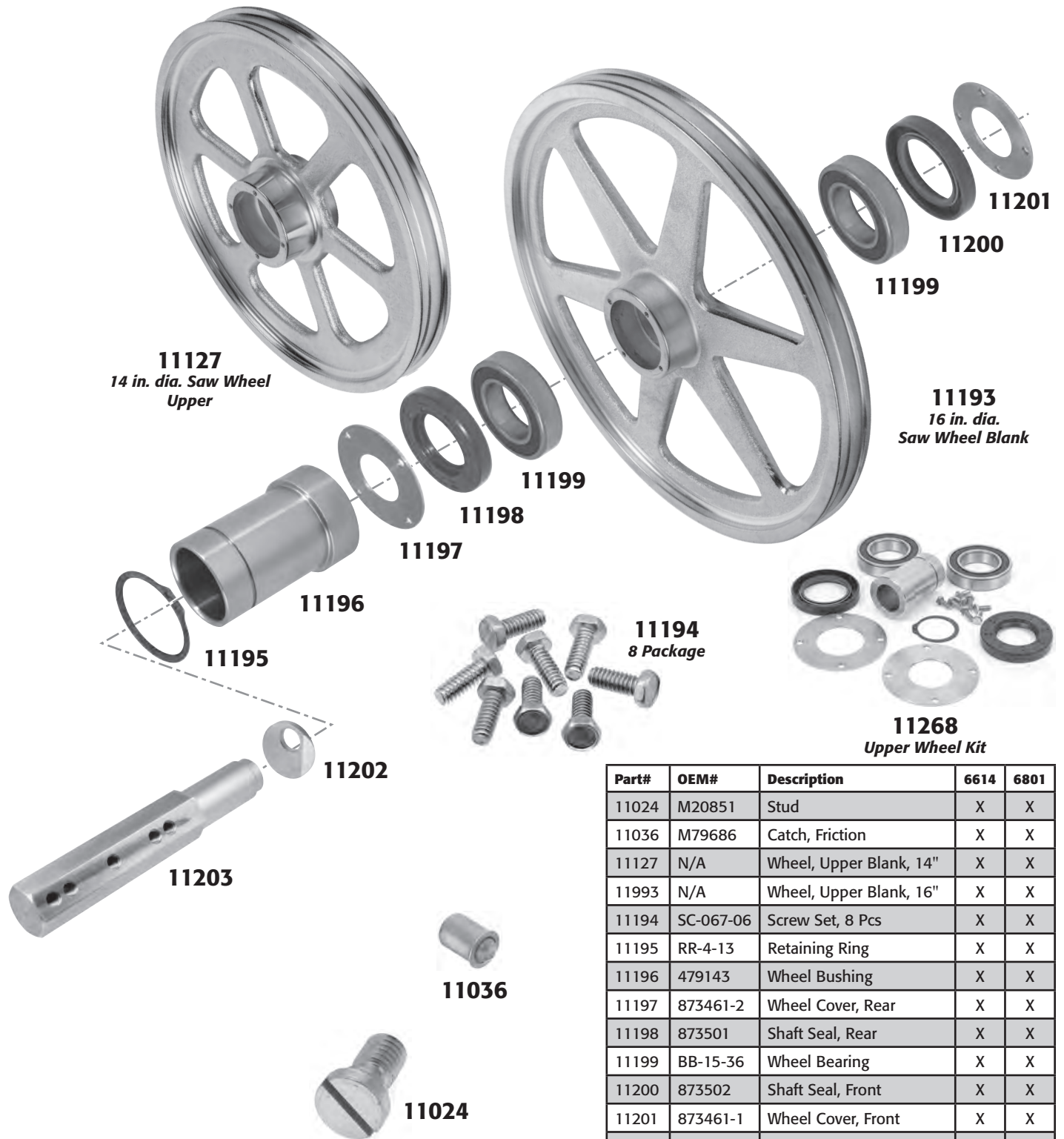


61019
Table Bumper



61012
Wheel Cleaner

Meat Saw Replacement Parts Upper Bearing Carrier Unit for Hobart® models 6614, 6801



Part#	OEM#	Description	6614	6801
11024	M20851	Stud	X	X
11036	M79686	Catch, Friction	X	X
11127	N/A	Wheel, Upper Blank, 14"	X	X
11993	N/A	Wheel, Upper Blank, 16"	X	X
11194	SC-067-06	Screw Set, 8 Pcs	X	X
11195	RR-4-13	Retaining Ring	X	X
11196	479143	Wheel Bushing	X	X
11197	873461-2	Wheel Cover, Rear	X	X
11198	873501	Shaft Seal, Rear	X	X
11199	BB-15-36	Wheel Bearing	X	X
11200	873502	Shaft Seal, Front	X	X
11201	873461-1	Wheel Cover, Front	X	X
11202	479142	Retainer, Upper Wheel	X	X
11203	479144	Shaft, Upper Wheel	X	X
11268	N/A	Upper Wheel Kit	X	X

Saws

Hobart® Saw

Saw Wheels



11020
5/16" Slot
on Reverse Side

11091
16" dia.
Upper & Lower Wheel,
model #5801
Lower Wheel,
model #6801
3/8" Slot on Reverse Side

11118
14" dia.
Lower Wheel,
model #6614
3/8" Slot on Reverse Side



11024
11092



11204
16" dia.
Upper Saw Wheel Assembled,
model #6801



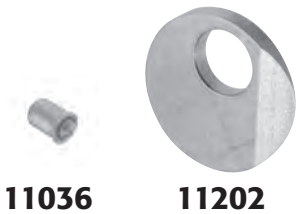
11126
14" dia.
Upper Saw Wheel Assembled,
model #6614



11193
16" dia.
Saw Wheel Upper Blank
model #6801



11127
14" dia.
Saw Wheel Upper Blank
model #6614

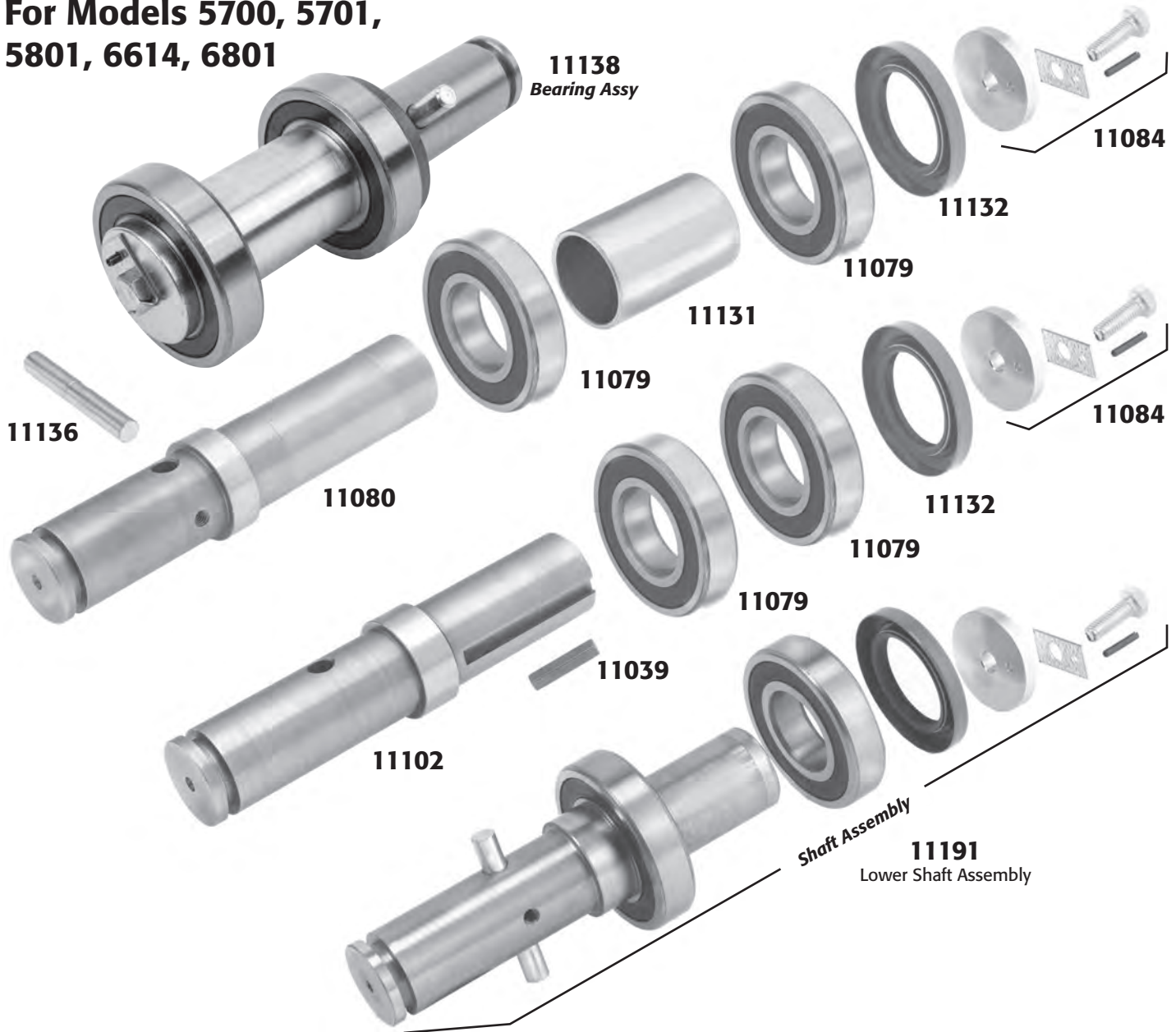


11036

11202

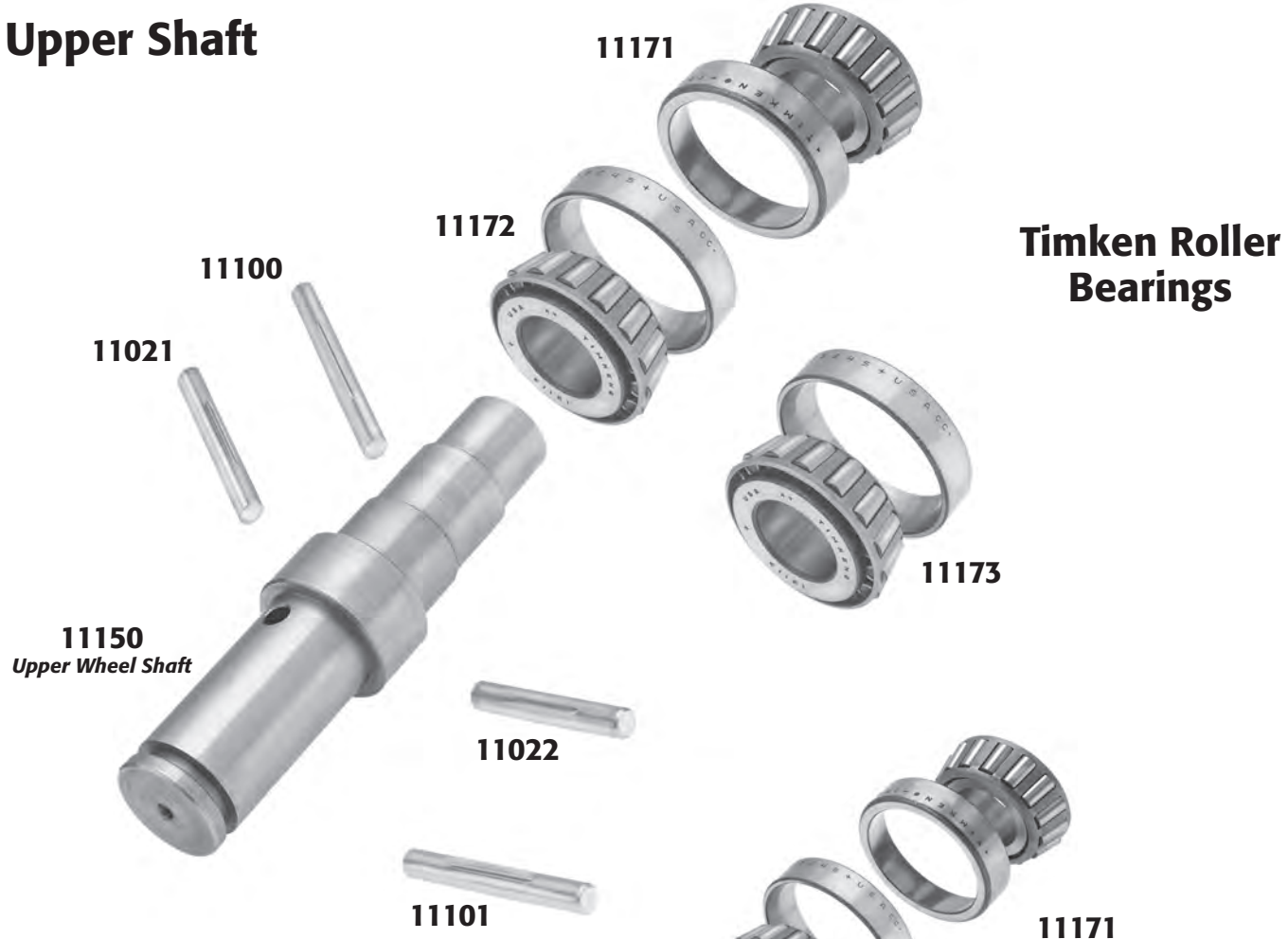
Part #	OEM #	Description	5016	5216	5700	5701	5801	6614	6801
11020	72364-2	Saw Wheel 5/16" Slot	X	X					
11024	M20851	Stud, Lock Lever	X	X	X	X	X	X	X
11036	M79686	Catch, Friction	X	X	X	X	X	X	X
11091	439888	Saw Wheel 3/8" Slot			X	X	X		
11091	439888	Saw Wheel, Lower 16"							X
11092	292213	Lever, Wheel Lock	X	X	X	X	X		
11118	134098-Z	Saw Wheel, Lower 14"						X	
11126	134048-Z	Saw Wheel Assembly, Upper 14"						X	
11127	N/A	Saw Wheel, Upper Blank 14"						X	
11193	N/A	Saw Wheel, Upper Blank 16"							X
11202	479142	Retainer, Upper Wheel						X	X
11204	ML104999Z	Saw Wheel Assembly, Upper 16"							X

Upper, Lower Shafts & Components For Models 5700, 5701, 5801, 6614, 6801



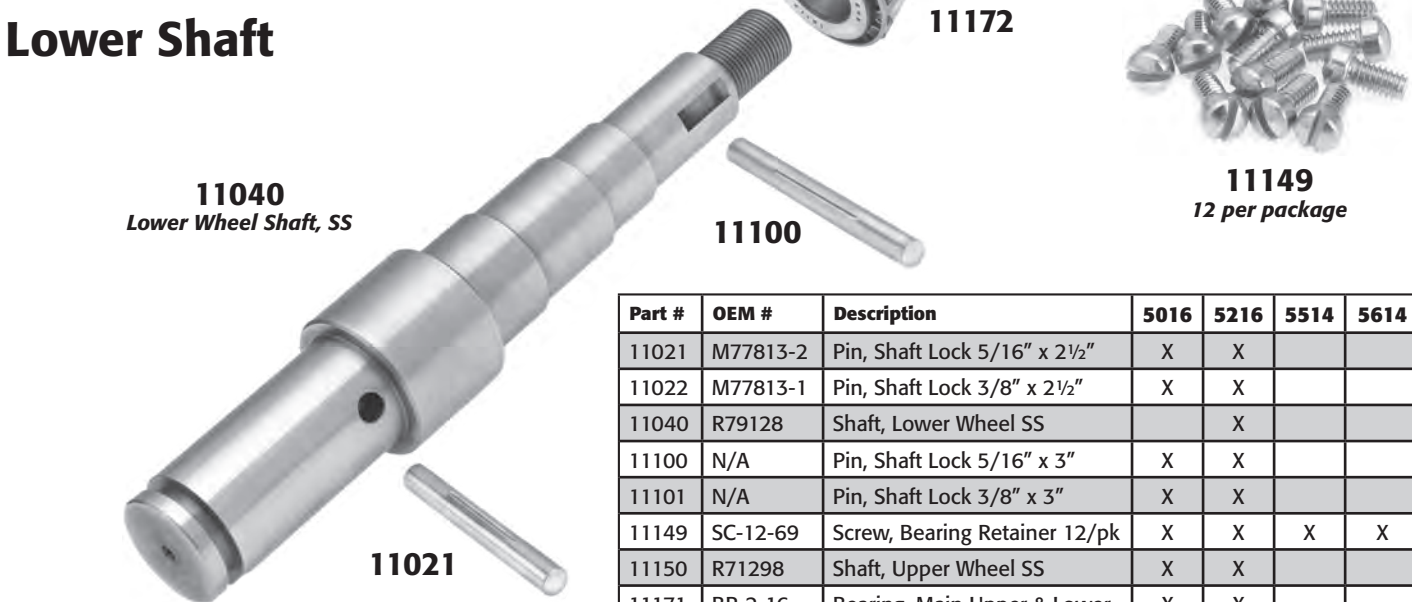
Part #	OEM #	Description	5700	5701	5801	6614	6801
11039	109070-9	Keyway	X	X	X	X	X
11079	BB-8-14	Bearing, Main, Upper & Lower	X	X	X	X	X
11080	A292274	Shaft, Upper Wheel (SS)	X	X	X		
11084	N/A	Hardware Set, Upper Shaft	X	X	X		
11102	292278	Shaft, Lower (SS)	X	X	X	X	X
11131	290806	Spacer, Upper Shaft	X	X	X		
11132	B290805	Seal, Grease	X	X	X	X	X
11136	A292273	Pin, Shaft Lock	X	X	X	X	X
11138	N/A	Upper Shaft & Bearing Assembly	X	X	X		
11191	N/A	Shaft Assembly, Lower	X	X	X	X	X

Upper Shaft



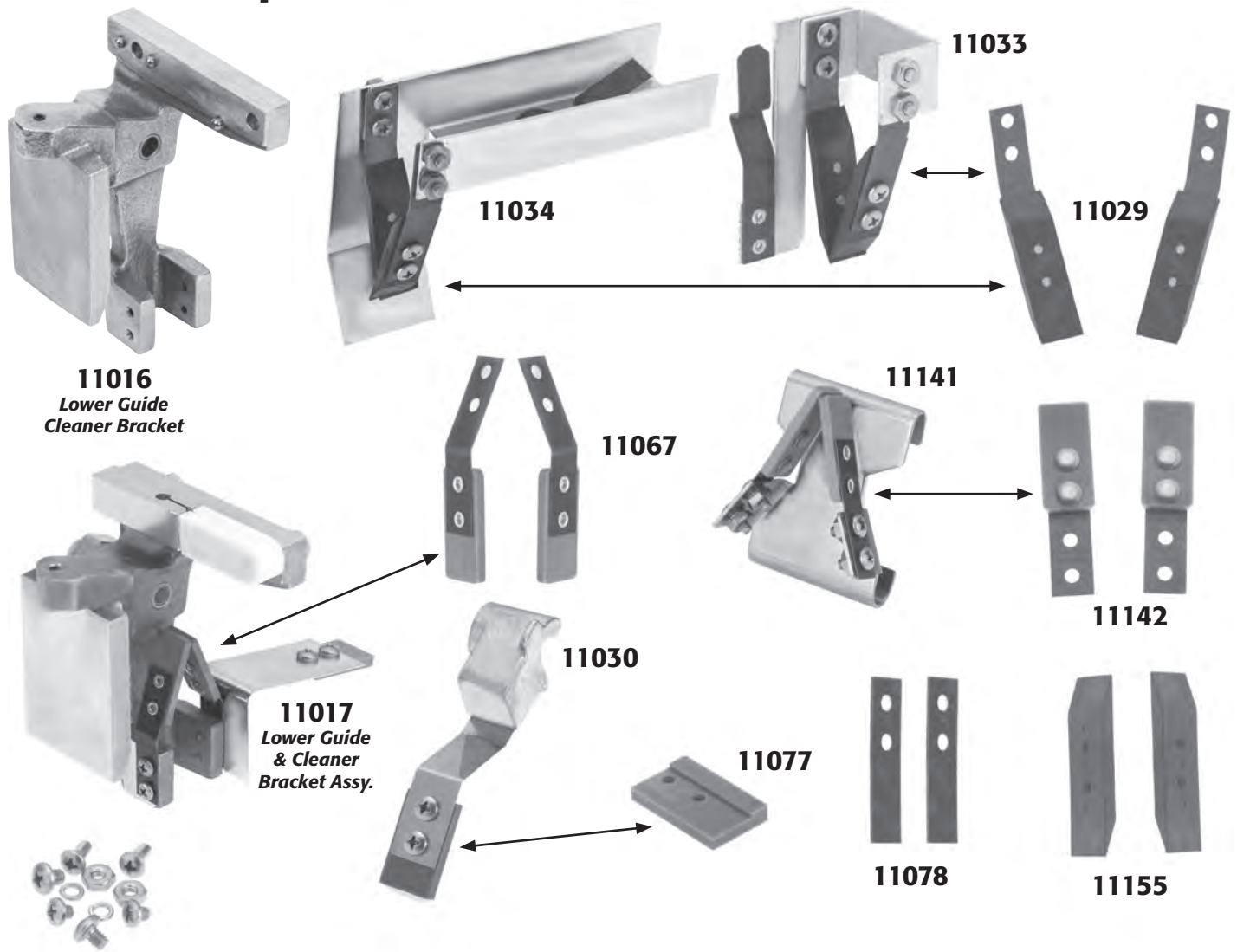
Timken Roller Bearings

Lower Shaft



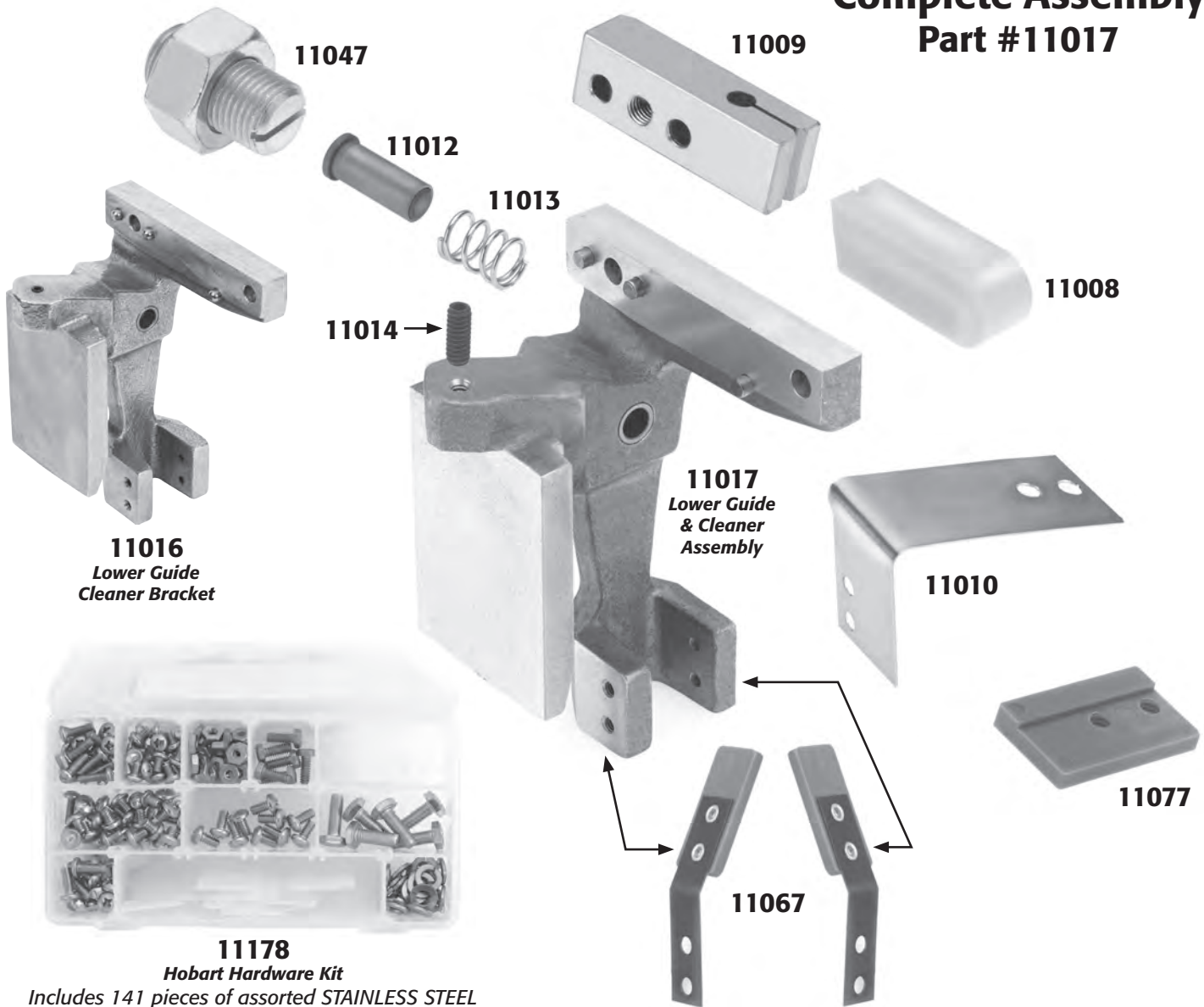
Part #	OEM #	Description	5016	5216	5514	5614
11021	M77813-2	Pin, Shaft Lock 5/16" x 2 1/2"	X	X		
11022	M77813-1	Pin, Shaft Lock 3/8" x 2 1/2"	X	X		
11040	R79128	Shaft, Lower Wheel SS		X		
11100	N/A	Pin, Shaft Lock 5/16" x 3"	X	X		
11101	N/A	Pin, Shaft Lock 3/8" x 3"	X	X		
11149	SC-12-69	Screw, Bearing Retainer 12/pk	X	X	X	X
11150	R71298	Shaft, Upper Wheel SS	X	X		
11171	BR-2-16	Bearing, Main Upper & Lower	X	X		
11172	BR-2-20	Bearing, Main Upper & Lower		X	X	X
11173	BR-2-27	Bearing, Main Upper & Lower	X	X	X	X

Cleaner & Wiper Assemblies



Part #	OEM #	Description	5212	5214	5216	5514	5614	5700	5701	5801	6614	6801
11016	A-103177	Lower Guide & Cleaner Bracket	X	X	X	X	X					
11017	121660	Lower Guide & Cleaner Bracket Assy.	X	X	X	X						
11029	101254	Blade Cleaner & Spring Assy	X	X	X	X						
11030	B102399	Wiper Assembly, Upper Pulley	X	X	X	X	X	X	X		X	X
11033	B104786	Rear Wiper Assembly		X	X							
11034	B104349	Rear Wiper Assembly				X	X					
11067	B110254	Spring, Blade Scraper	X	X	X	X	X					
11077	B123886	Wheel Cleaner	X	X	X	X	X	X	X		X	X
11078	B121170	Blade Cleaner, Steel	X		X		X					
11141	290798	Blade Scraper Assembly						X	X	X	X	X
11142	N/A	Blade Scraper & Spring Assembly						X	X	X	X	X
11155	110253	Blade Cleaner	X	X	X	X	X					
11161	N/A	Hardware Assorted 10 Pcs.	X	X	X	X	X	X	X	X	X	X
11162	N/A	Hardware Assorted 6 Pcs.	X	X	X	X	X	X	X	X	X	X

Complete Assembly Part #11017



11178
Hobart Hardware Kit
Includes 141 pieces of assorted STAINLESS STEEL hardware in a sturdy plastic case. FITS ALL MODELS

Part #	OEM #	Description	5212	5214	5216	5514	5614
11008	A102653	Filler Block	X	X	X	X	X
11009	109142-4	Saw Guide Lower		X	X	X	X
11010	M-101934	Spring, Wheel Scraper	X	X	X	X	X
11012	A-1019424	Carbide Stud, Back Up	X	X	X	X	X
11013	M-101925	Spring, Back-up	X	X	X	X	X
11014	SC-109-84	Set Screw, Adjusting	X	X	X	X	X
11016	A-103177	Lower Guide & Cleaner Bracket		X	X	X	
11017	121660	Lower Guide & Bracket Assy	X	X	X	X	X
11047	SC-49-22/NS-18-23/804922	Stud, Back-up w/Nut	X	X	X	X	X
11067	B-110254	Blade Scraper Assembly	X	X	X	X	X
11077	B-123886	Wheel Cleaner	X	X	X	X	X
11178	N/A	Hardware Kit Hobart Saw	X	X	X	X	X

Guides & Filler Blocks



11088 Steel
11032 Stainless Steel



11085 Steel
11004 Stainless Steel



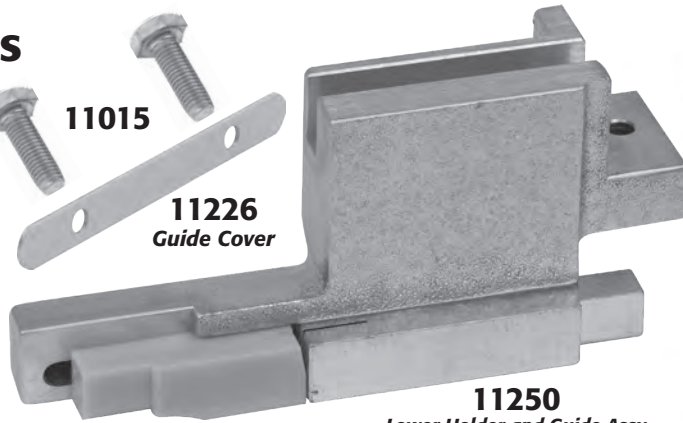
11008

11002



11015

11226
Guide Cover



11250
Lower Holder and Guide Assy



11216
Holder, Lower Guide



11009



11071



11007



11090 Steel
11038 Stainless Steel



11086 Steel

11023 Stainless Steel



11013



11012



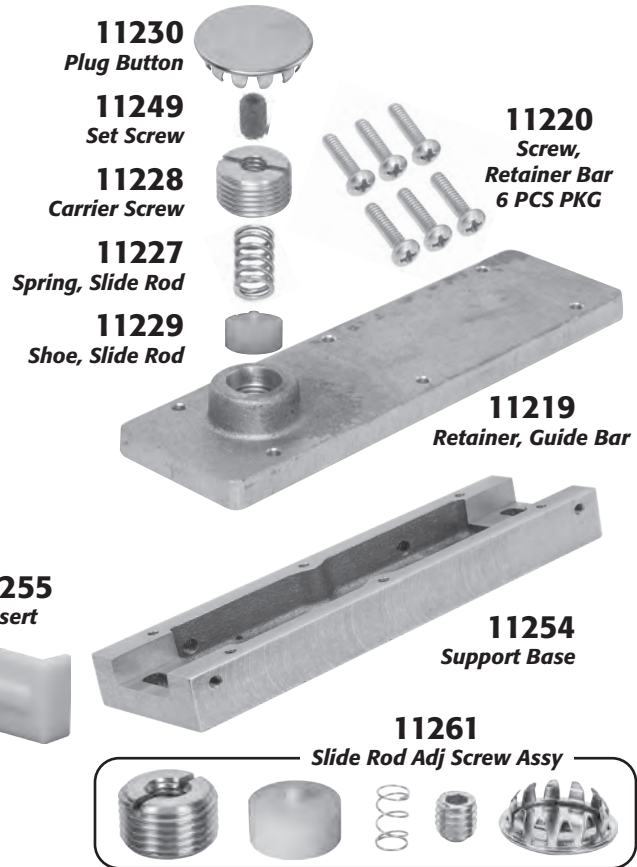
11047

Part #	OEM #	Description	5114	5116	5212	5214	5216	5514	5614	5700	5701	5801	6614	6801
11002	M71363	Filler Block	X	X										
11004	A290844-4	Saw Guide, Lower w/Plug Stainless Steel								X				
11007	101929-1	Saw Guide Upper			X	X	X	X	X					
11008	A102653	Filler Block			X	X	X	X	X					
11009	109142-4	Saw Guide, Lower				X	X	X	X					
11012	A1019424	Carbide Stud, Back-up			X	X	X	X	X					
11013	M101925	Spring, Back-up			X	X	X	X	X					
11015	SC-41-61	Stud, Filler & Guide			X	X	X	X	X	X	X	X	X	X
11023	A291670-1	Saw Guide, Upper w/Plug Stainless Steel								X				
11032	A290670-4	Saw Guide, Lower w/Plug Stainless Steel										X	X	X
11038	A290844-1	Saw Guide, Upper w/Plug Stainless Steel										X	X	X
11047	SC-49-22	Stud, Back-up w/Nut			X	X	X	X	X					
11071	291658	Filler Block								X	X	X	X	X
11085	A290844-4	Saw Guide, Lower w/Plug								X	X			
11086	A291670-1	Saw Guide, Upper w/Plug								X	X			
11088	A290670-4	Saw Guide, Lower w/Plug										X	X	X
11090	A290844-1	Saw Guide, Upper w/Plug										X	X	X
11216	875234-2	Holder, Lower Guide								X	X	X	X	X
11226	875235	Guide Cover								X	X	X	X	X
11250	291672-1	Lower Holder and Guide Assy										X	X	X

Saws

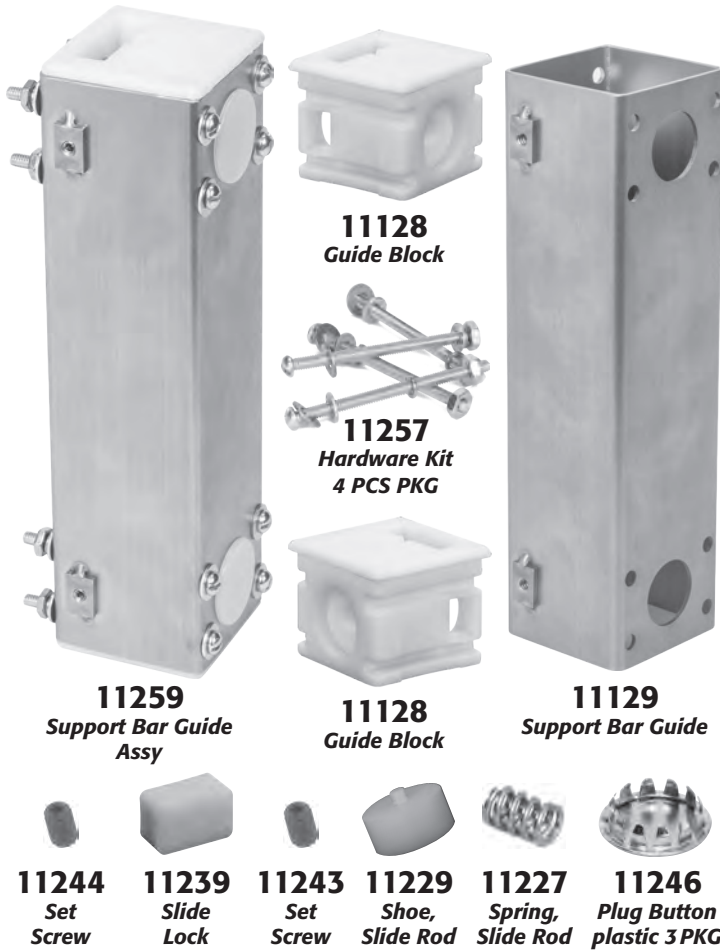
Hobart® Saw

Upper Guide Unit Models 5700, 5701, 5801



Part #	OEM#	Description	Models
11211	435958-2	Knob, Adjusting	5700, 5701, 5801, 6614, 6801
11212	290842	Holder, Upper Guide	5700, 5701, 5801, 6614, 6801
11214	291441	Guard, Front Blade	5700, 5701, 5801, 6614, 6801
11215	291575	Upper Guide Support Bar	5700, 5701, 5801
11216	875234-2	Holder, Lower Guide	5700, 5701, 5801, 6614, 6801
11219	290845	Retainer, Guide Bar	5700, 5701, 5801
11220	SC-21-25	Screw, Ret Bar, 6 Pkg	5700, 5701, 5801
11227	873782	Spring, Slide Rod Adj	5700, 5701, 5801, 6614, 6801
11228	290849	Carrier Screw	5700, 5701, 5801
11229	120141	Shoe, Slide Rod	5700, 5701, 5801, 6614, 6801
11230	PB-2-26	Plug Button	5700, 5701, 5801
11231	PG-6-11	Groove Pin, 5 Pkg	5700, 5701, 5801, 6614, 6801
11242	N/A	Hardware Kit	5700, 5701, 5801, 6614, 6801
11249	SC-63-33	Set Screw	5700, 5701, 5801
11251	N/A	Upper Guide Support Assy	5700, 5701, 5801
11254	290846	Support Base	5700, 5701, 5801
11255	290850	Insert	5700, 5701, 5801
11261	N/A	Slide Rod Adj. Screw Assy	5700, 5701, 5801

Upper Guide Unit Models 6614, 6801

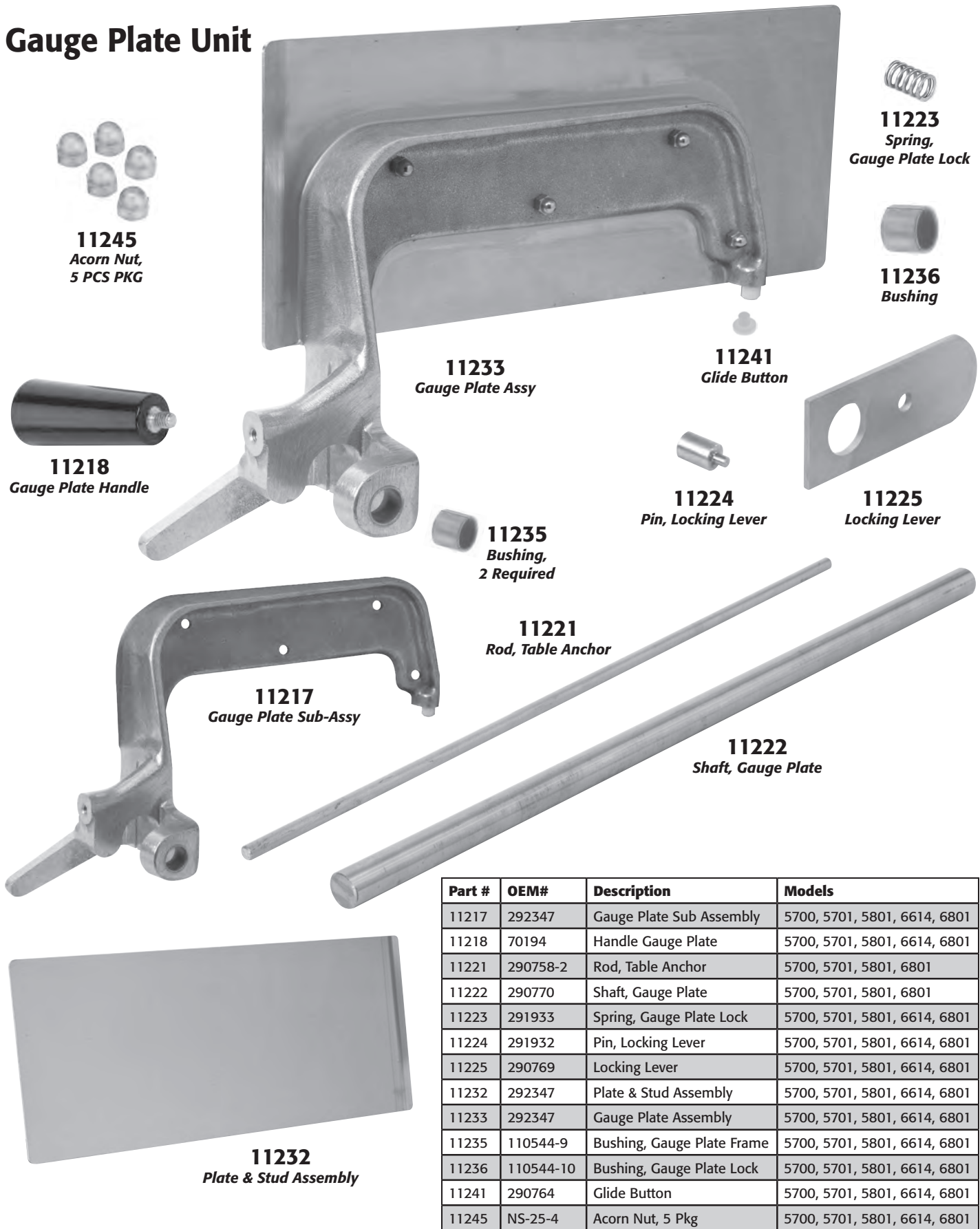


Part #	OEM #	Description	Models
11128		Guide Block	6614, 6801
11129		Support Bar Guide	6614, 6801
11211	435958-2	Knob, Adjusting	5700, 5701, 5801, 6614, 6801
11212	290842	Holder, Upper Guide	5700, 5701, 5801, 6614, 6801
11214	291441	Guard, Front Blade	5700, 5701, 5801, 6614, 6801
11216	875234-2	Holder, Lower Guide	5700, 5701, 5801, 6614, 6801
11227	873782	Spring, Slide Rod Adj	5700, 5701, 5801, 6614, 6801
11229	120141	Shoe, Slide Rod	5700, 5701, 5801, 6614, 6801
11231	PG-6-11	Groove Pin, 5 Pkg	5700, 5701, 5801, 6614, 6801
11239	479766	Slide Lock	6614, 6801
11242	N/A	Hardware Kit	5700, 5701, 5801, 6614, 6801
11243	SC-46-70	Set Screw	6614, 6801
11244	SC-55-1	Set Screw	6614, 6801
11246	PB-5-9	Plug Button (plastic), 3 Pkg	6614, 6801
11247	873204	Upper Guide Support Bar	6614, 6801
11252	N/A	Upper Guide Support Assy	6614, 6801
11257	N/A	Hardware Kit	6614, 6801
	N/A	Support Bar Guide Assy	6614, 6801

Saws

Hobart® Saw

Gauge Plate Unit



11245
Acorn Nut,
5 PCS PKG



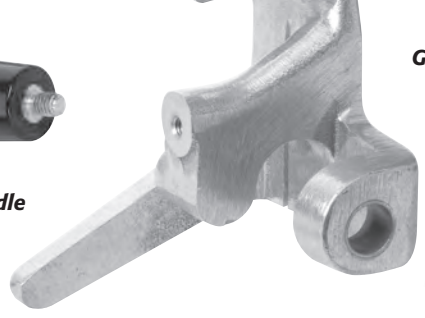
11223
Spring,
Gauge Plate Lock



11236
Bushing



11218
Gauge Plate Handle



11233
Gauge Plate Assy

11241
Glide Button



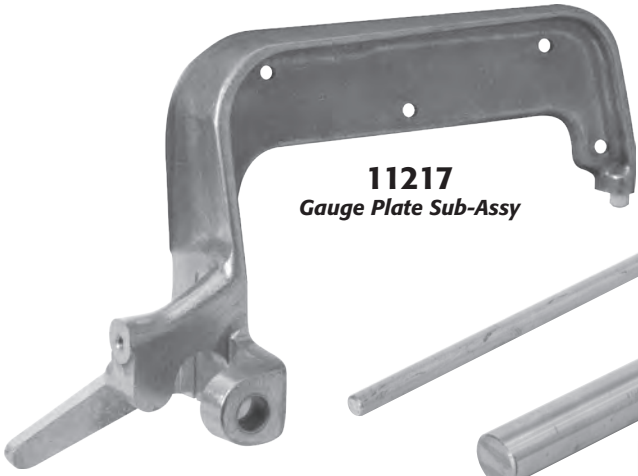
11224
Pin, Locking Lever



11225
Locking Lever

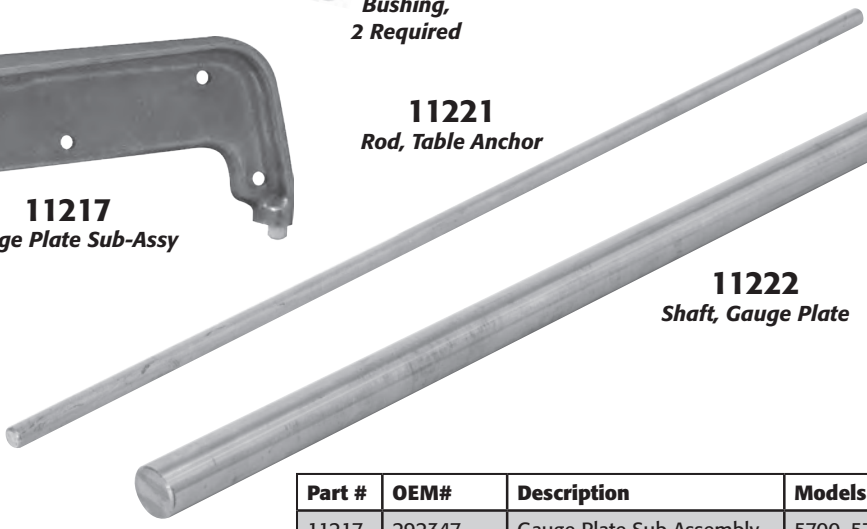


11235
Bushing,
2 Required

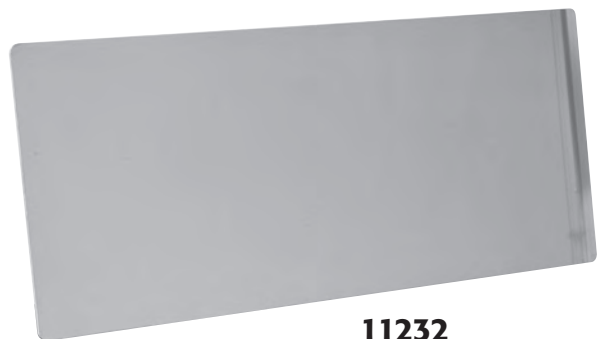


11217
Gauge Plate Sub-Assy

11221
Rod, Table Anchor

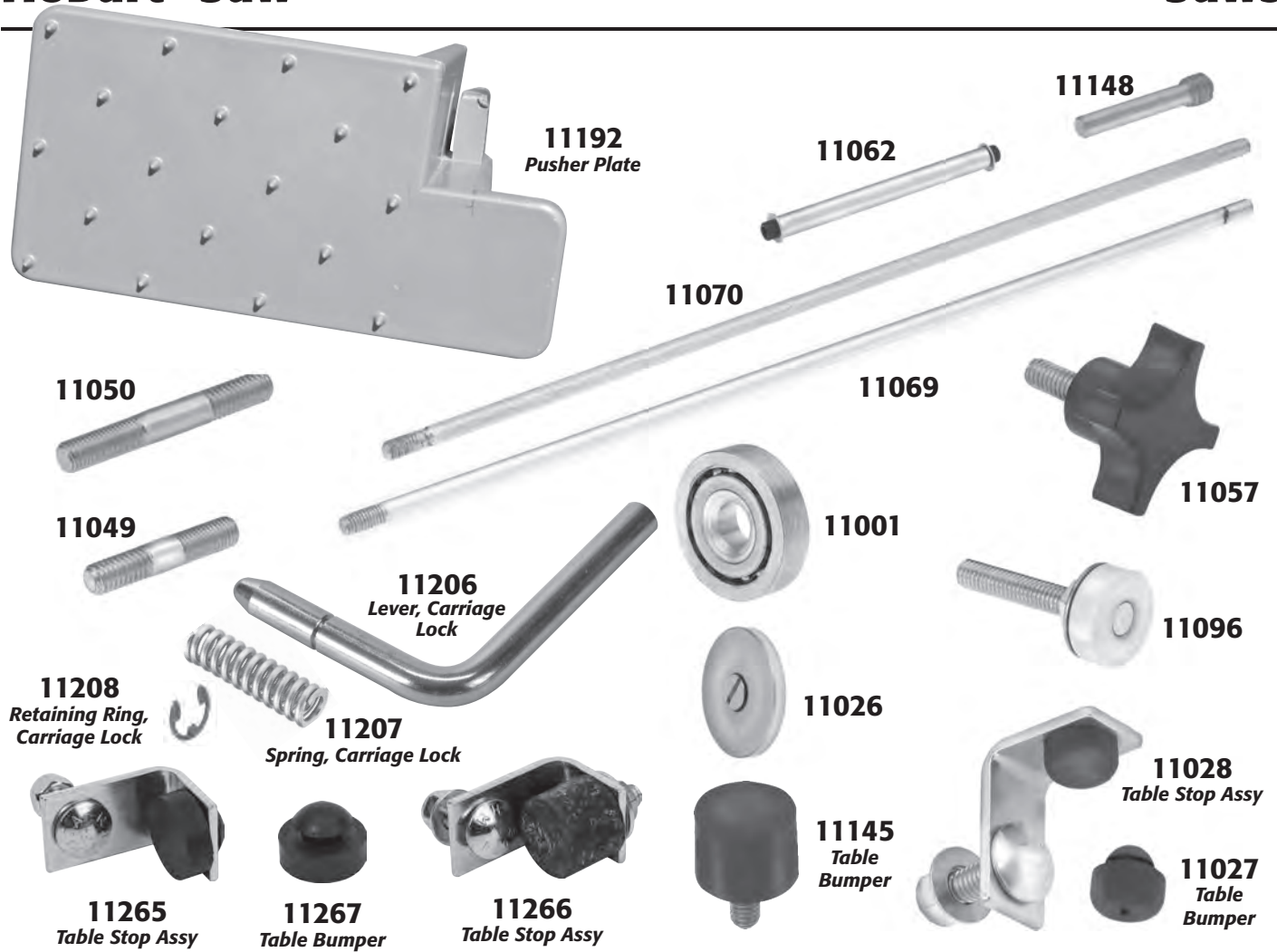


11222
Shaft, Gauge Plate

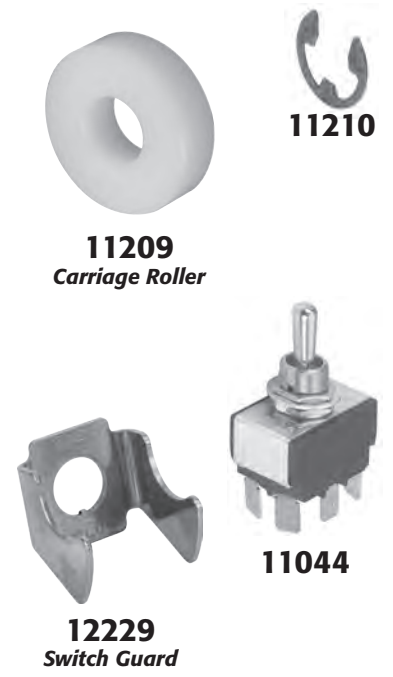


11232
Plate & Stud Assembly

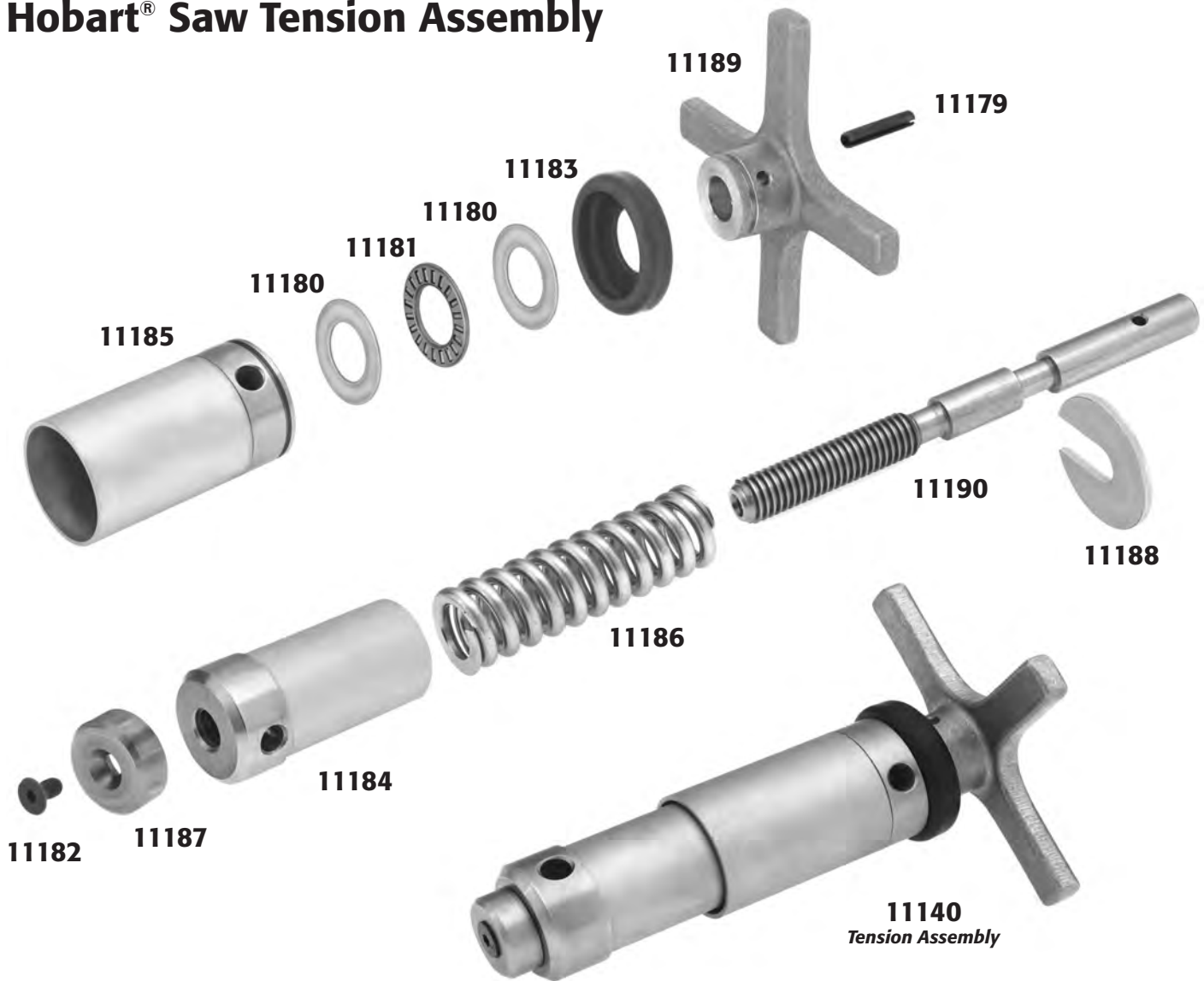
Part #	OEM#	Description	Models
11217	292347	Gauge Plate Sub Assembly	5700, 5701, 5801, 6614, 6801
11218	70194	Handle Gauge Plate	5700, 5701, 5801, 6614, 6801
11221	290758-2	Rod, Table Anchor	5700, 5701, 5801, 6801
11222	290770	Shaft, Gauge Plate	5700, 5701, 5801, 6801
11223	291933	Spring, Gauge Plate Lock	5700, 5701, 5801, 6614, 6801
11224	291932	Pin, Locking Lever	5700, 5701, 5801, 6614, 6801
11225	290769	Locking Lever	5700, 5701, 5801, 6614, 6801
11232	292347	Plate & Stud Assembly	5700, 5701, 5801, 6614, 6801
11233	292347	Gauge Plate Assembly	5700, 5701, 5801, 6614, 6801
11235	110544-9	Bushing, Gauge Plate Frame	5700, 5701, 5801, 6614, 6801
11236	110544-10	Bushing, Gauge Plate Lock	5700, 5701, 5801, 6614, 6801
11241	290764	Glide Button	5700, 5701, 5801, 6614, 6801
11245	NS-25-4	Acorn Nut, 5 Pkg	5700, 5701, 5801, 6614, 6801



Part #	OEM #	Description	5212	5214	5216	5514	5614	5700	5701	5801	6614	6801
11001	BB-8-11	Bearing Table	X	X	X	X	X	X	X	X	X	X
11026	N/A	Striker Plate Assembly	X	X	X	X	X					
11027	P-77318	Bumper, Table Stop	X	X	X	X	X					
11028	P-86049	Table Stop Assembly	X	X	X	X	X					
11044	87711-143-1	Switch	X		X		X	X	X	X	X	X
11049	V21158	Stud, Threaded	X	X	X	X	X					
11050	21158	Stud, Upper Wiper Support	X	X	X	X	X					
11057	A102432-2	Knob, Positioning	X	X	X	X	X					
11062	M77235	Mounting Pin Assembly	X	X	X	X	X					
11069	M78833-2	Rod, Switch Extension 10 1/2"	X	X	X	X	X					
11070	M78833-3	Rod, Switch Extension 10 1/16"	X	X	X	X	X					
11096	A291675	Stud, Table Tension	X	X	X	X	X					
11145	18682-2	Table Bumper						X	X	X		
11148	V20895	Pin, Hinge	X	X	X	X	X					
11192	291435	Pusher Plate	X	X	X	X	X	X	X	X	X	X
11206	290795	Lever, Carriage Lock						X	X	X	X	X
11207	290787	Spring, Carriage Lock						X	X	X	X	X
11208	RR-11-9	Retaining Ring, Carriage Lock						X	X	X	X	X
11209	290789	Carriage Roller						X	X	X		
11210	RR-10-12	Retaining Ring, Carriage Roller						X	X	X		
11265	479107	Table Stop Assy									X	X
11266	119827	Table Stop Assy						X	X	X		
11267	873789	Bumper									X	X
12229	N/A	Switch Guard	X	X	X	X	X	X	X	X	X	X



Hobart® Saw Tension Assembly



Part #	OEM #	Description	5700	5701	5801	6614	6801
11140	292363	Tension Assembly	X	X	X	X	X
11179	RP-3-16	Roll Pin	X	X	X	X	X
11180	WS-29-37	Washer	X	X	X	X	X
11181	BN-5-6	Bearing	X	X	X	X	X
11182	N/A	Screw, End Cap	X	X	X	X	X
11183	292796	Bellows (Neoprene Molded)	X	X	X	X	X
11184	292358	Nut & Tube Assembly	X	X	X	X	X
11185	290825	Bushing & Tube Assembly	X	X	X	X	X
11186	291594	Spring, Compression	X	X	X	X	X
11187	N/A	End Cap	X	X	X	X	X
11188	291662	Washer, Slotted	X	X	X	X	X
11189	292361	Knob, Tension Adjust	X	X	X	X	X
11190	292668	Shaft, Tension Assembly	X	X	X	X	X

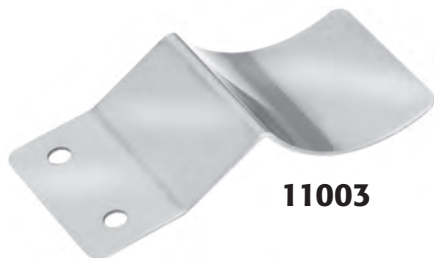
Cover Assemblies & Hardware



11037
Upper Baffle Assembly



11005
Upper Cover Assembly



11003



11237
Lower Guide & Support Pin



11238
Table Lock & Pin Assembly



11018



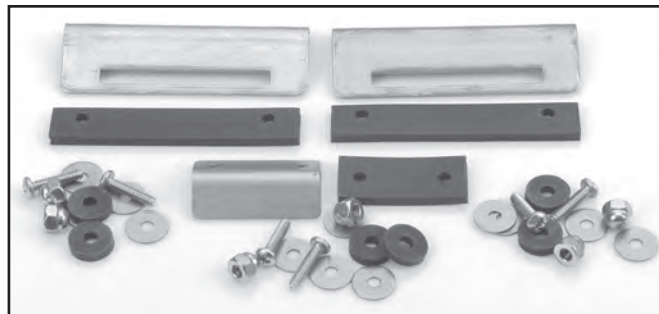
11035



11262
Clip, Lower Door



11019



11031
Baffle
Hardware Kit

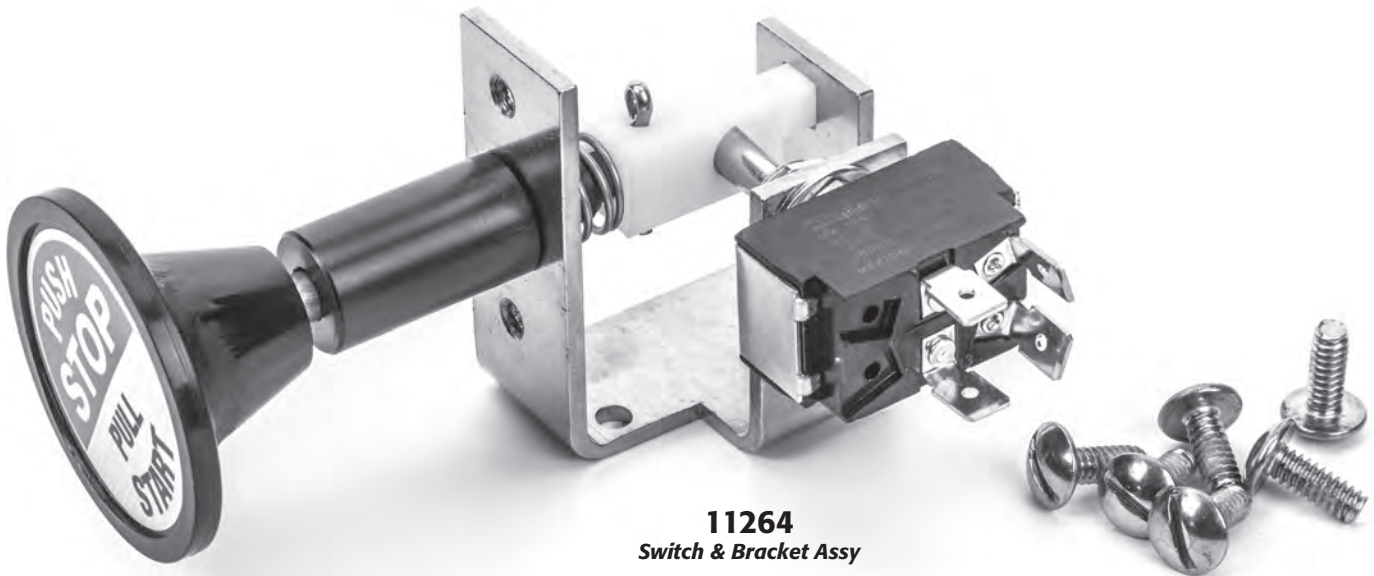


11006
Lower Cover
Assembly
Now Also Fits Model 6801

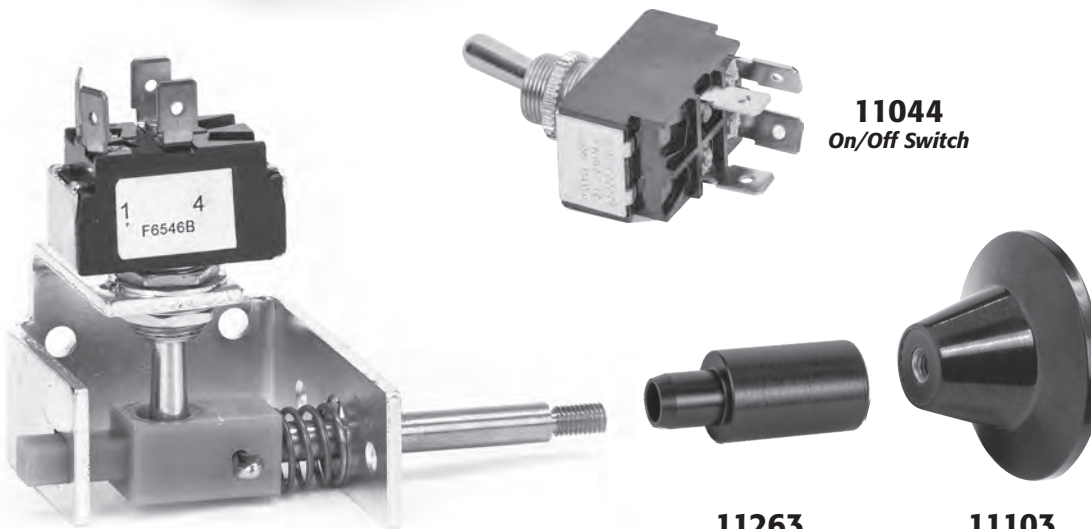
Part #	OEM #	Description	5700	5701	5801	6614	6801
11003	291502	Clip, Latch SS	X	X	X		
11005	290861	Upper Cover Assembly	X	X	X		
11006	435296	Lower Cover Assembly	X	X	X		X
11018	291503	Hinge, Upper Latch	X	X	X		
11019	N/A	Screw Assembly SS, Upper Cover	X	X	X		
11031	N/A	Hardware Kit, Baffle			X		
11035	290860	Anchor Assembly SS		X	X		
11037	274998	Baffle Assembly, Upper			X		
11237	291653	Lower Guide & Support Pin	X	X	X	X	X
11238	290752	Table Lock & Pin Assembly	X	X	X	X	X
11262	290788	Clip, Lower Door	X	X	X		X

Switch and Bracket Replacement Parts

Fits Models 5700, 5701, 5801, 6614, 6801



11264
Switch & Bracket Assy



11253
Switch & Bracket

11044
On/Off Switch

11263
Bushing,
Switch & Bracket

11103
Knob, Start/Stop
with Label



11104
Label, Start/Stop

No Returns on Electrical Items



11256
Hardware, Switch & Bracket
6 PCS PKG

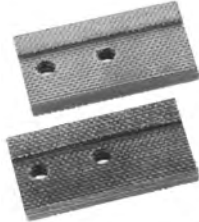
Part #	OEM #	Description	5700	5701	5801	6614	6801
11044	87711-143-1	Switch, On/Off	X	X	X	X	X
11103	290885	Knob, Start/Stop with Label	X	X	X	X	X
11104	291475	Label, Start/Stop, Self-Adhesive	X	X	X	X	X
11253	291512	Switch & Bracket	X	X	X	X	X
11256	N/A	Hardware, Switch & Bracket 6 Pkg	X	X	X	X	X
11263	290883	Bushing, Switch & Bracket	X	X	X	X	X
11264	N/A	Switch & Bracket Assembly	X	X	X	X	X

Repair Kit #11158

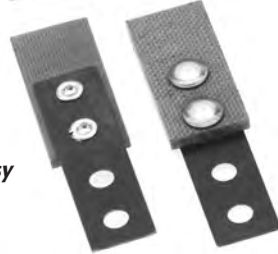
(Saw Guides with Plugs)

Fits Model 5700

11077
Cleaner, Wheel



11142
Scraper Assy



11162
Assorted Hardware
SS 6 PCS PKG



11141
Blade, Scraper Assembly



11086
Saw Guide,
Upper



11071
Filler Block



11085
Saw Guide, Lower



Repair Kit #11159

(Saw Guides with Plugs)

Fits Models 5801, 6614, 6801

11077
Cleaner, Wheel



11142
Scraper Assembly



11162
Assorted Hardware
SS 6 PCS PKG



11141
Blade,
Scraper
Assembly



11071
Filler Block



11090
Saw Guide,
Upper



11088
Saw Guide, Lower



Repair Kit #11258

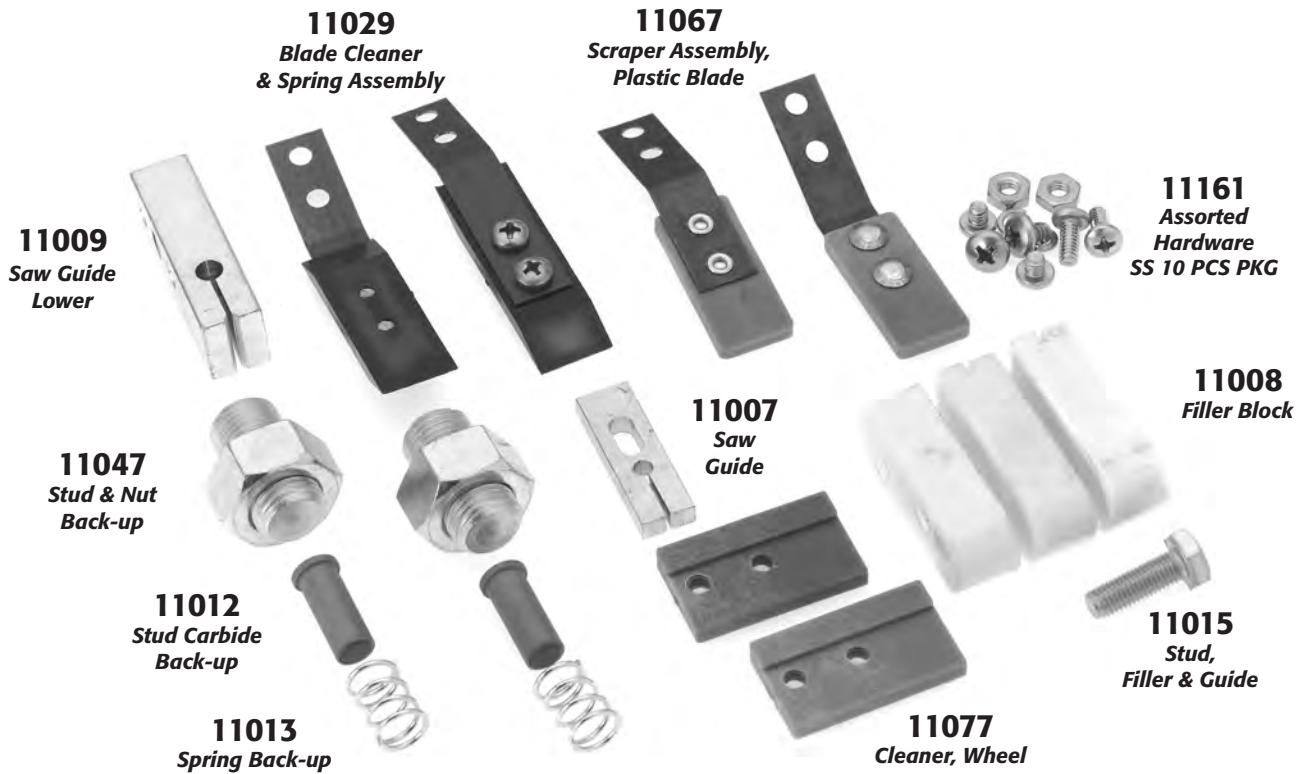
(Saw Guides with Plugs)

Fits Models
5801, 6614, 6801

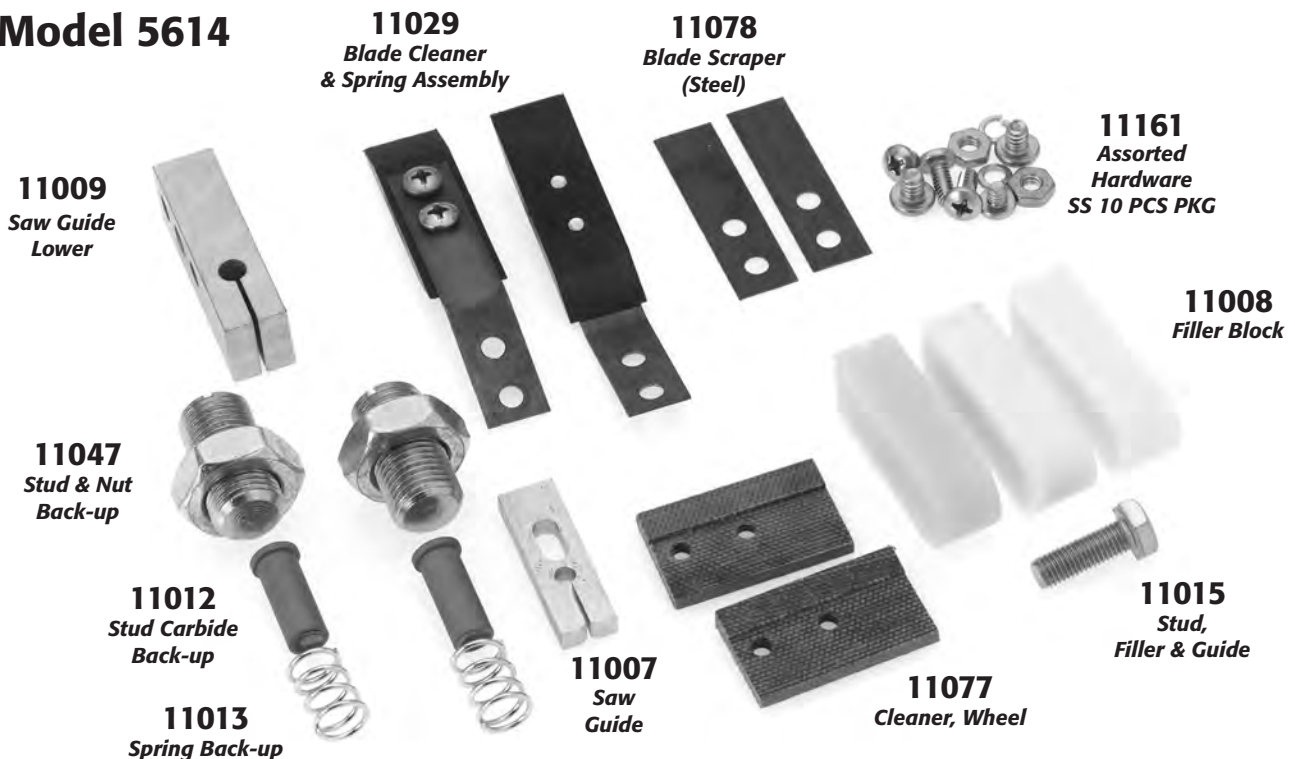
11258
Hobart Preventive Maintenance Kit



Repair Kit #11156 - Fits Models 5212, 5214, 5216, 5514, 5614



Repair Kit #11157 Fits Model 5614



16001
Filler Block,
Plastic



16002
Blade Guide, Lower



16005



16006



16004



16003
Blade Guide, Upper



16009



16010



16011



16013



16014
Toggle Plate



Part #	OEM #	Description	Hy-Yield 16
16001	680-1081	Filler Block, Plastic	X
16002	680-1042	Blade Guide, Lower	X
16003	680-1041	Blade Guide, Upper	X
16004	680-2036	Bearing Lower Shaft	X
16005	680-2034	Rear Bearing, Upper Shaft	X
16006	680-2032	Front Bearing, Upper Shaft	X
16009	680-1083	Ball Knob (5/8" Stud)	X
16010	680-2017	Hand Knob w/Stud	X
16011	680-3019	Hand Knob Cover	X
16013	680-1367	Drive Belt	X
16014	680-1082	Toggle Plate	X

Grinder Rings

Grinders



42642
Ring #32
Biro



42652
Ring #52
Biro



42532
Ring #32
Butcher Boy

42552
Ring #52
Butcher Boy



42312
Ring #12
Hobart
also Toledo 5120



42322
Ring #22
Hobart



42332
Ring #32 o/s
Hobart



42442
Ring #32/42
Hollymatic



42452
Ring #52
Hollymatic



42333
Ring #32 n/s
Hobart

Part #	OEM #	Description	Fits Models
42312	77667	Ring #12, Grinder (Hobart)	4612, 4812
42322	77643	Ring #22, Grinder (Hobart)	4822
42332	77680	Ring #32, Grinder (Hobart O/S)	4046, 4146
42333	86050	Ring #32, Grinder (Hobart N/S)	4246, 4346, 4632, 4732, MG1532, MG2032
42442	180 8012	Ring, #32/42, Grinder (Hollymatic)	180A
42452	180 8006	Ring, #52, Grinder (Hollymatic)	180A
42532	(7) 32031	Ring, #32, Grinder (Butcher Boy)	TCA 32
42552	53016	Ring, #52, Grinder (Butcher Boy)	
42642	HR 42/48	Ring, #32, Grinder (Biro)	All Models 42/48 Head
42652	HR 52	Ring, #52, Grinder (Biro)	All Models 52 Head

Grinders

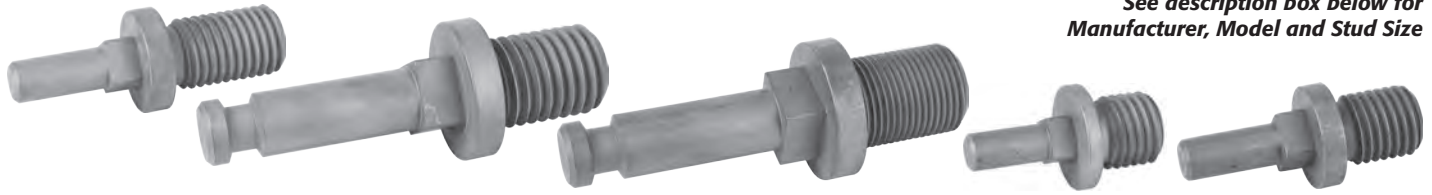


41001
Wrench for Grinder Studs
Fits all modes except
#66 Studs

Grinder Studs

Grinder Studs
For Berkel® Biro® Butcher Boy®
Hobart® Hollymatic® Torrey®

See description box below for
Manufacturer, Model and Stud Size



41132
Code R3

41152
Code X5

41153
Code WA5

41222
Code R2

41232
Code R3



41252
Code U5

41256
Code XA5

41312
Code R1

41322
Code U2

41332
Code X3DT



41333
Code X3

41334
Code X3F

41451
Code R3

41452
Code U5

41522
Code K2

41612
Code R1



41622
Code R2

41632
Code R3



Stud Spacer
Stainless Steel

Feed Screw Stud Spacers

These spacers can be used to gain additional
knife pressure against the grinder plate.

Part #	Description	Thickness
43301	Stud Spacer, Hobart 32	3/16"
43302	Stud Spacer, Hobart 32	1/8"
43303	Stud Spacer, Biro 32	3/16"
43304	Stud Spacer, Biro 32	1/8"
43305	Stud Spacer, Hollymatic 32	3/16"
43306	Stud Spacer, Hollymatic 32	1/8"

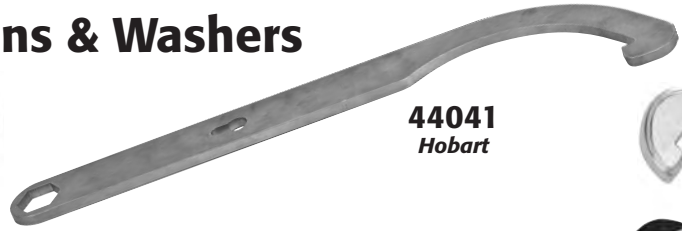
Part #	OEM #	Industry Code	Description
41001	N/A	N/A	Wrench For Grinder Studs (Except #66 Studs)
41132	53483	R3	Stud, Feed Screw (Biro #32)
41152	HK 52/56	X5	Stud, Feed Screw (Biro # 52/56)
41153	HK 52 Fine	WA5	Stud, Feed Screw (Biro #52)
41222	22024	R2	Stud, Feed Screw (Butcher Boy #22)
41232	21038	R3	Stud, Feed Screw (Butcher Boy #32)
41252	52026	U5	Stud, Feed Screw (Butcher Boy #52)
41256	52026	XA5	Stud, Feed Screw (Butcher Boy #56)
41312	M-15877	R1	Stud, Feed Screw (Hobart #12)
41322	M-15880	U2	Stud, Feed Screw (Hobart #22)
41332	110576	X3DT	Stud, Feed Screw (Hobart #32 N/S)
41333	17588	X3	Stud, Feed Screw (Hobart #32 O/S)
41334	477963-1	X3F	Stud, Feed Screw (Hobart #32 Model MG1532)
41451	100 0199	R3	Stud, Feed Screw (Hollymatic #32)
41452	100 0237	U5	Stud. Feed Screw (Hollymatic #52)
41522	K3436	K2	Stud, Feed Screw (Berkel #22)
41612	570199	R1	Stud, Feed Screw (Torrey #12)
41622	570201	R2	Stud, Feed Screw (Torrey #22)
41632	570203	R3	Stud, Feed Screw (Torrey #32)

2 Grinders

Grinder Plate Wrenches, Pins & Washers



15002



44041
Hobart

Manufacturer	OEM #	15002 FITS MODELS
Hollymatic	100 0221	100, 150, 175, 180, 180A, 190
Hobart	72286	4056, 4052, 4152
Butcher Boy	59188	A42H, A52H, A56, AF52, 100/42, 100/52, 200/42, 200/52, 250/52



44037
Hobart

Grinder Plate Pins



43212
Pin #12



43222
Pin #22



43232
Pin #32



43233
Pin #32/42



43252
Pin #52

Grinder Plate Fiber Washers



43112
Washer #12



43122
Washer #22



43123
Washer #22



43124
Washer #22



43132
Washer #32



43133
Washer #32

52001
Biro

I.D.	3/4	7/8	1	7/8	1	1 1/4	I.D.
O.D.	1 5/16	1 1/2	1 5/8	1 5/8	2	2 1/2	O.D.
Thickness	1/8	1/8	1/8	1/8	1/8	1/8	Thickness

Part #	OEM #	Description	Fits Models
15002	100 0221	Ring Wrench	See Specs
43112	N/A	Washer #12 (Fiber)	
43122	N/A	Washer #22 (Fiber)	
43123	N/A	Washer #22 (Fiber)	
43124	N/A	Washer #22 (Fiber)	
43132	N/A	Washer #32 (Fiber)	
43133	N/A	Washer #32 (Fiber) Biro	Biro
43212	N/A	Pin, Grinder Plate #12 (Bent)	Hobart
43222	N/A	Pin, Grinder Plate #22 (Bent)	Hobart
43232	N/A	Pin, Grinder Plate #32 (Bent)	Hobart
43233	N/A	Pin, Grinder Plate #32/42 (Straight)	Hollymatic
43252	N/A	Pin, Grinder Plate #52 (Straight)	Hollymatic
44037	N/A	Grinder Wrench	Hobart
44041	873570	Cylinder Wrench	
52001	H340	Ring Wrench	Biro

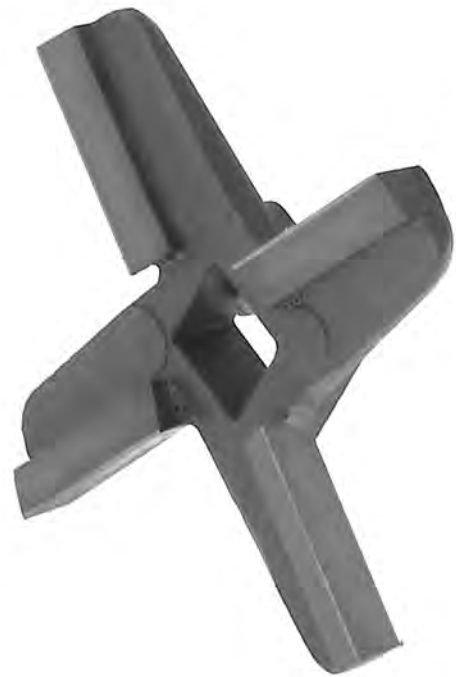
Grinders

Grinder Knives & Plates

All Knives Have Brazed Carbide Inserts



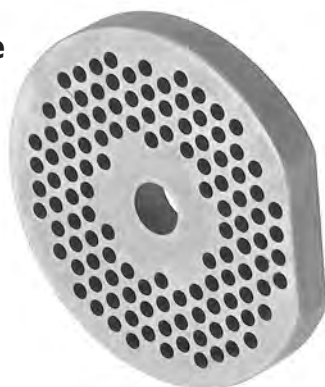
Part #	Knife Size
17120	12
17220	22
17320	32
17520	52
17560	56



Part #	Plate Size	Hole Size	w/Hub
17122	12	1/8	
17125	12	3/16	
17126	12	3/8	
17222	22	1/8	
17225	22	3/16	
17226	22	3/8	
17322	32	1/8	
17324	32	5/32	
17325	32	3/16	
17326	32	3/8	
17327	32	7/8	
17328	32	1	
17522	52	1/8	Yes
17525	52	3/16	Yes
17526	52	3/8	Yes
17527	52	1/4	Yes
17567	56	1/4	Yes
17529	52	1/2	Yes
17562	56	1/8	Yes
17565	56	3/16	Yes
17566	56	3/8	Yes

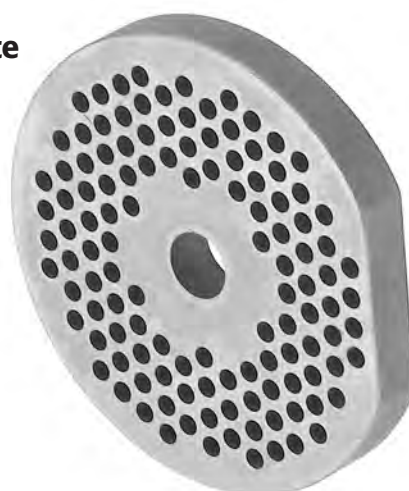
4 Grinders

#12 Plate



Part #	Plate Size	Hole Size
18122	12	1/8
18125	12	3/16
18126	12	3/8

#22 Plate



Part #	Plate Size	Hole Size
18222	22	1/8
18225	22	3/16
18226	22	3/8

#32 Plate



Plates are Double Sided

Part #	Plate Size	Hole Size
18322	32	1/8
18325	32	3/16
18326	32	3/8

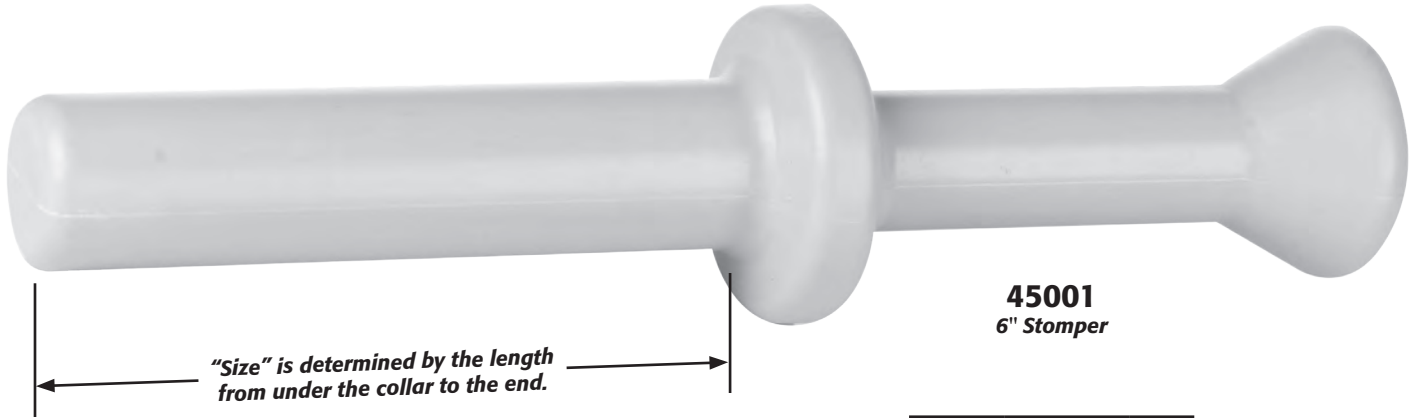


20001
Vile 6" Glass Test Tube
FOR USE IN FAT ANALYSIS
HOBART Model #F101

Grinders

Stompers & Viles

Hollow Stompers



45001
6" Stomper

Part #	Description	Size
45001	Stomper	6"

Glass Vile



20001
Vile 6" Glass Test Tube
FOR USE IN FAT ANALYSIS
HOBART Model #F101

6 Grinders

Table Top Meat Grinders



71016
Thumb Screw Assembly



71014
Models:
L-800 / M-802
V-1401 / 8145



12146



42312



42322



41312
Code R1



41322
Code U2



43212



43222

Part #	OEM #	Description	4612	4632A	4812	4822
12146	83681	Support Foot	X	X	X	X
41312	M-15877	Stud, Feed Screw, Hobart #12	X		X	
41322	M-15880	Stud, Feed Screw, Hobart #22				X
42312	077667	Ring, Hobart #12	X		X	
42322	077643	Ring, Hobart #22				X
43212	N/A	Pin, Hobart #12	X		X	
43222	N/A	Pin, Hobart #22				X
71014	108197-02	Thumb Screw Assembly	X		X	X
71016	108197-04	Thumb Screw Assembly	X		X	X

Grinders

Hobart® Meat Grinders

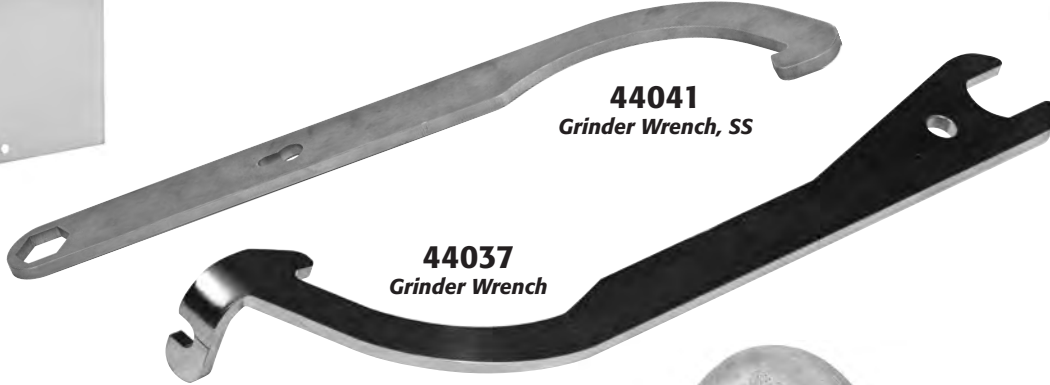


44014

**44017
44018
44019
44020**



44021



44041
Grinder Wrench, SS

44037
Grinder Wrench



44036



42312
Ring #12
Hobart, also Toledo 5120



42322
Ring #22
Hobart



42332
Ring #32 o/s
Hobart



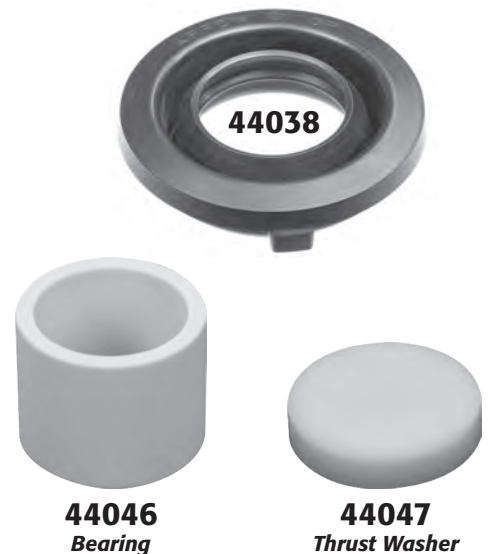
42333
Ring #32 n/s
Hobart

Part #	OEM #	Description	4046	4056	4146	4152	4156	4246	4346	4356	4612	4632	4732	4812	4822
42312	00-077667-0002	Ring, Grinder Hobart #12									X			X	
42322	00-077643-00002	Ring, Grinder Hobart #22													X
42332	77680	Ring, Grinder Hobart #32	X		X										
42333	86050	Ring, Grinder Hobart #32						X	X			X	X		
44014	592953	Deflector						X	X						
44017	118266	Stud Cylinder, 3"						X	X						
44018	72981-1	Stud Cylinder, 4 1/2"		X			X			X					
44019	72981-2	Stud Cylinder, 4"		X	X	X	X			X					
44020	72981-3	Stud Cylinder, 3.5/8"								X		X	X		
44021	873864	Nut, Cylinder			X	X		X	X	X		X			
44036	NS-048-57	Nut, Cylinder Head Hex	X	X	X	X	X	X	X	X	X	X	X	X	X
44037	N/A	Grinder Wrench, Hobart	X	X	X	X	X	X	X	X	X	X	X	X	X
44041	873570	Grinder Wrench, Hobart	X	X	X	X	X	X	X	X	X	X	X	X	X

2 Hobart® Meat Grinder



Part #	OEM #	Description	4246	4346	MG1532	MG2032
44001	186635	Shaft, Grind, Worm Drive	X			
44002	12430-210	Key, Grind Shaft	X			
44003	186714	Belt, Flexa Gear, Vent	X			
44004	186713	Belt, Flexa Gear, Drive	X			
44005	BR-2-28	Bearing, Large, Worm Shaft	X			
44006	BR-2-20	Bearing, Small, Worm Shaft	X			
44007	BB-7-21	Bearing, Large, Pinion Shaft	X			
44008	BB-18-33	Bearing, Small, Pinion Shaft	X			
44009	105196	Seal, Outer Conveyor	X	X		
44010	108591	Seal, Square Drive Shaft	X	X		
44011	186657	Seal, Pinion Shaft	X			
44015	WL-17-7	Lockwasher	X			
44016	NS-34-7	Locknut	X			
44038	479070	Seal, Mixer Arm			X	X
44039	439743	Shaft, Mixer Arm			X	X
44040	12430-196	Key, Mixer Arm			X	X
44046	186659	Bearing, Pilot Bushing			X	X
44047	186660	Thrust Washer			X	X



Grinders

Hobart® Meat Grinders

Casters

44012



44026



44013



44027



Part #	OEM #	Description	4246	MG1532	MG2032
44012	186724	Caster, Rigid	X		
44013	186725	Caster, Swivel & Lock	X		
44026	477924	Caster, Swivel, 4"		X	X
44027	439787	Caster, Fixed		X	X

Hobart® Grinder Electrical

44028 Switch Assembly (Red)

Includes These Three Items – Fits Models MG1532 and M2032



44032
Block
Normally CLOSED

44028
Switch
Red

44034
Cap

44031 Switch Assembly (Black)

Includes These Three Items – Fits Models MG1532 and M2032



44029
Block
Normally OPEN

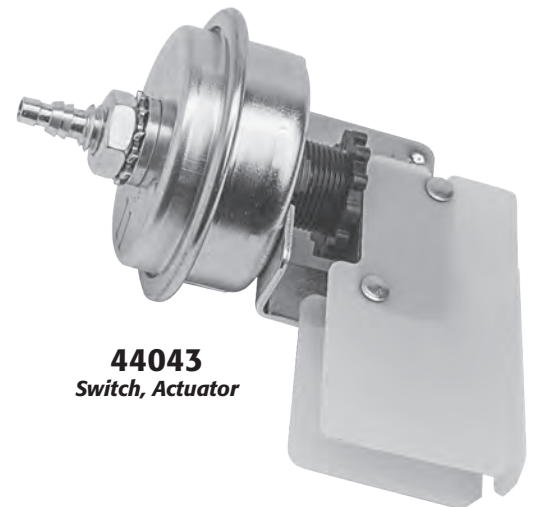
44031
Switch
Black

44035
Cap

No Returns on Electrical Items



44042
Actuator, Air Bulb



44043
Switch, Actuator



44045
Hose Clamp

Part #	OEM #	Description	Fits Models
44028	87711-255-7	Switch Assembly (Red)	MG1532, MG2032
44029	87711-322-3	Block, Normally OPEN	MG1532, MG2032, 4346, 4352
44031	87711-255-6	Switch Assembly (Black)	MG1532, MG2032, 4346, 4352
44032	87711-322-5	Block, Normally CLOSED	MG1532, MG2032
44034	873427-3	Cap	MG1532, MG2032
44035	873427-2	Cap	MG1532, MG2032, 4346, 4352
44042	87711-214-1	Actuator, Air Bulb	MG1532, MG2032, 4346, 4352
44043	87711-213-1	Switch Actuator	MG1532, MG2032, 4346, 4352
44044	292629	Air Hose	MG1532, MG2032, 4346, 4352
44045	115747-8	Hose Clamp	MG1532, MG2032, 4346, 4352



44044
Air Hose



42442



15002

Manufacturer	OEM #	FITS MODELS
Hollymatic	100 0221	100, 150, 175, 180, 180A, 190
Hobart	72286	4056, 4052, 4152
Butcher Boy	59188	A42H, A52H, A56, AF52, 100/42, 100/52, 200/42, 200/52, 250/52



43233

*Pin, Grinder Plate #32 (Straight)
3 Pins Required*



41451

*Fits any model w/32 head
Code R3*



42452

43252
Pin Grinder Plate #52



41452

*Fits any model w/52 head
Code U5*



15038



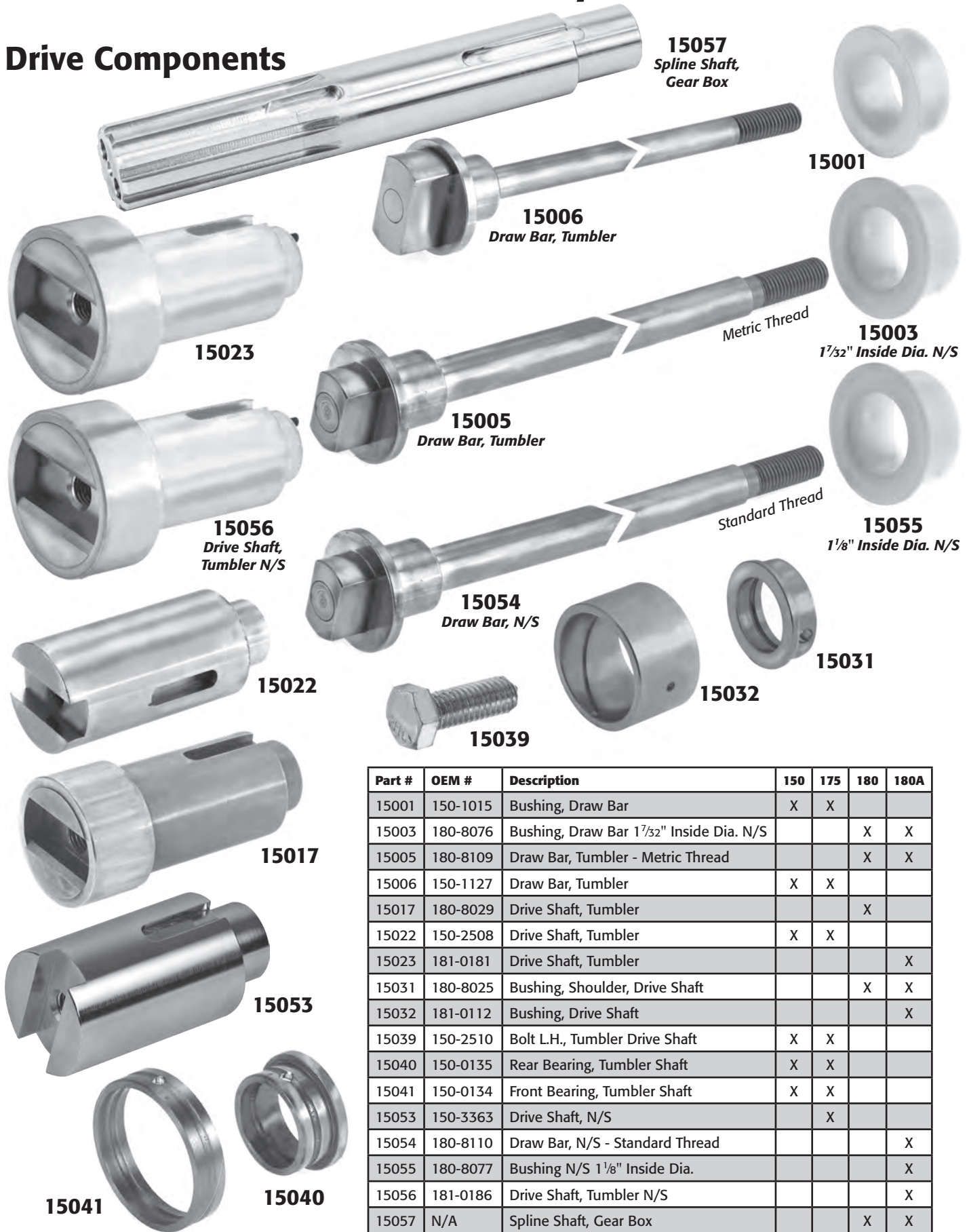
15036

Part #	OEM #	Description	180	180A	Fits All Models
15002	100 0221	Wheel Wrench (Ring)			X
15036	180-8108	Shaft, Pivot	X	X	
15038	181-0753	Hairpin Cotter		X	
41451	100 0199	Stud, Feed Screw, Holly #32 (Code R3)	X	X	
41452	100 0237	Stud, Feed Screw, Holly #52 (Code U5)	X	X	
42442	180 8012	Ring #32/42, Holly Grinder	X	X	
42452	180-8006	Ring #52, Holly Grinder	X	X	
43233	100 0204	Pin #32/42 Grinder Plate Straight		X	
43252	765 1420 90	Pin #52 Grinder Plate Straight		X	

Grinders

Hollymatic® Meat Grinders

Drive Components



Part #	OEM #	Description	150	175	180	180A
15001	150-1015	Bushing, Draw Bar	X	X		
15003	180-8076	Bushing, Draw Bar 1 7/32" Inside Dia. N/S			X	X
15005	180-8109	Draw Bar, Tumbler - Metric Thread			X	X
15006	150-1127	Draw Bar, Tumbler	X	X		
15017	180-8029	Drive Shaft, Tumbler			X	
15022	150-2508	Drive Shaft, Tumbler	X	X		
15023	181-0181	Drive Shaft, Tumbler				X
15031	180-8025	Bushing, Shoulder, Drive Shaft			X	X
15032	181-0112	Bushing, Drive Shaft				X
15039	150-2510	Bolt L.H., Tumbler Drive Shaft	X	X		
15040	150-0135	Rear Bearing, Tumbler Shaft	X	X		
15041	150-0134	Front Bearing, Tumbler Shaft	X	X		
15053	150-3363	Drive Shaft, N/S		X		
15054	180-8110	Draw Bar, N/S - Standard Thread				X
15055	180-8077	Bushing N/S 1 1/8" Inside Dia.				X
15056	181-0186	Drive Shaft, Tumbler N/S				X
15057	N/A	Spline Shaft, Gear Box			X	X

2 Hollymatic® Meat Grinder

Clutch Assembly All Parts Fit Model 180A



Part #	OEM #	Description
15008	181-0763	Seal (Small), Clutch
15027	181-0762	Seal (Large), Clutch
15028	181-0764	Bearing, Angular Contact
15030	181-0765	Ring Retaining
15035	181-0757	Shaft, Clutch
15042	800-1075	Grease Fitting

Grinders

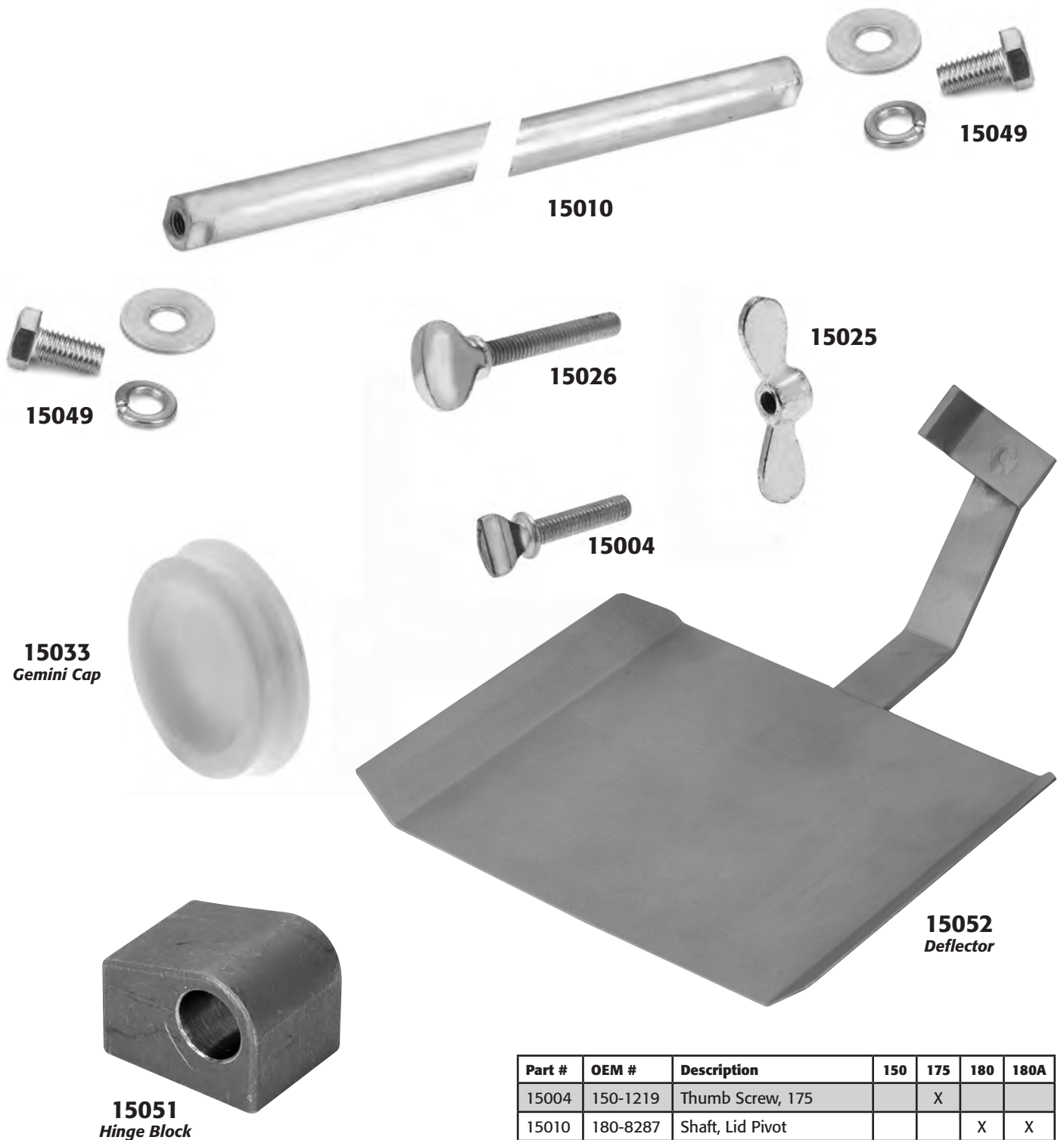
Hollymatic® Meat Grinders

Legs & Casters



Part #	OEM #	Description	150	175	180	180A	190
15018	181-0500	Caster Swivel		X N/S		X	X
15019	100-0048	Caster Swivel	X	X O/S	X		
15020	580-2022	Jam Nut		X N/S		X	X
15021	150-0152	Jam Nut	X	X O/S	X		
15034	150-9390	Leg		X N/S			
15037	181-0288	Leg			X	X	

4 Hollymatic® Meat Grinder



Part #	OEM #	Description	150	175	180	180A
15004	150-1219	Thumb Screw, 175		X		
15010	180-8287	Shaft, Lid Pivot			X	X
15025	100-1433	Nut, Wing		X	X	X
15026	181-0635	Thumbscrew, 180A				X
15033	180 8079	Gemini Cap			X	X
15049	21-8655	Bolt Assortment, SS				X
15051	180-8504	Hinge Block			X	X
15052	100-0229	Deflector	X	X	X	X

Grinders

Hollymatic® Meat Grinders

Replacement Components For Hollymatic Electric Foot Switch #1000974 and Pneumatic Food Switch #1810828 for Grinder Models 175 & 180A



15011
Actuator Repair Kit



15014
Hardware Kit, Foot Pedal



15013



15015
Strain Relief, Power Cord



15016
Air Bulb Assembly



15012

No Returns on Electrical Items

Part #	Description
15011	Actuator Repair Kit
15012	Switch, Internal Assembly
15013	Spring, Pedal
15014	Hardware Kit, Foot Pedal
15015	Strain Relief, Power Cord
15016	Air Bulb Assembly

Electrical



15045



15015



15046



15044



15047



15029



15012



15048
Fuse



15007
Contactor Kit #2 Starter 10 HP
15009
Contactor Kit #1 Starter 5 HP

No Returns on Electrical Items

Part #	OEM #	Description	150	175	180	180A
15007	N/A	Contact Kit #2 Starter 10HP	-	-	-	-
15009	N/A	Contact Kit #1 Starter 5HP	X			
15012	N/A	Switch, Internal Sub Assy		X		X
15015	N/A	Strain Relief, Power Cord		X		X
15029	32-6671	Switch, Safety w/Housing			X	X
15044	190-0175	Fuseholder, Large		X	X	X
15045	100-1027	Start Button		X	X	X
15046	100-1028	Stop Button		X	X	X
15047	100-1029	Push Button Lock		X	X	X
15048	190-0176	1 Amp. Slo-Blo Fuse		X	X	X

Lubricants

Dough Mixer Oil



71199
Planetary Oil 6oz.tif



71198
Transmission Oil 1gal.tif

Stainless Steel Mixer Bowls



20 Quart
71042



30 Quart
71043



60 Quart
71046



80 Quart
71200



140 Quart
71201

Part #	Replaces Hobart #	Bowl Size	Weight Capacity	Fits Hobart Models	Also Fits	Berkel BA-20	Intedge MX20, MX30	Powermaster A-20	Toastmaster A-200	McGraw Edison 5020
71042	275683	20 Qt	11 Lbs	A200, A200T	Also fit the following mixer models:	X	X	X	X	X
71043	275685	30 Qt	16 Lbs	A300, A300T			X			
71046	275688	60 Qt	27 Lbs	H600, H600D, P660			X			
71200	275690	80 Qt	45 Lbs	L800, L800D, M802, T801						
71201	295651	140 Qt	65 Lbs	V1401, V1401U						

Value Agitators for Hobart Classic Mixers



71152
20Qt Spiral Dough Hook
sizes available for
20-140Qt

71157
20Qt SS Wire Whip
sizes available for
20-140Qt



71162
20Qt Flat Beater Paddle
sizes available for
20-140Qt



PAPCO Part #	Model #
71152	20Qt Spiral Dough Hook "ED"
71153	30Qt Spiral Dough Hook "ED"
71154	60Qt Spiral Dough Hook "ED"
71155	80Qt Spiral Dough Hook "ED"
71156	140Qt Spiral Dough Hook "ED"

PAPCO Part #	Model #
71157	20Qt SS Wire Whip "D"
71158	30Qt SS Wire Whip "D"
71159	60Qt SS Wire Whip "D"
71160	80Qt SS Wire Whip "D"
71161	140Qt SS Wire Whip "D"

PAPCO Part #	Model #
71162	20Qt Flat Beater/Paddle "B"
71163	30Qt Flat Beater/Paddle "B"
71164	60Qt Flat Beater/Paddle "B"
71165	80Qt Flat Beater/Paddle "B"
71166	140Qt Flat Beater/Paddle "B"

Dough Mixer

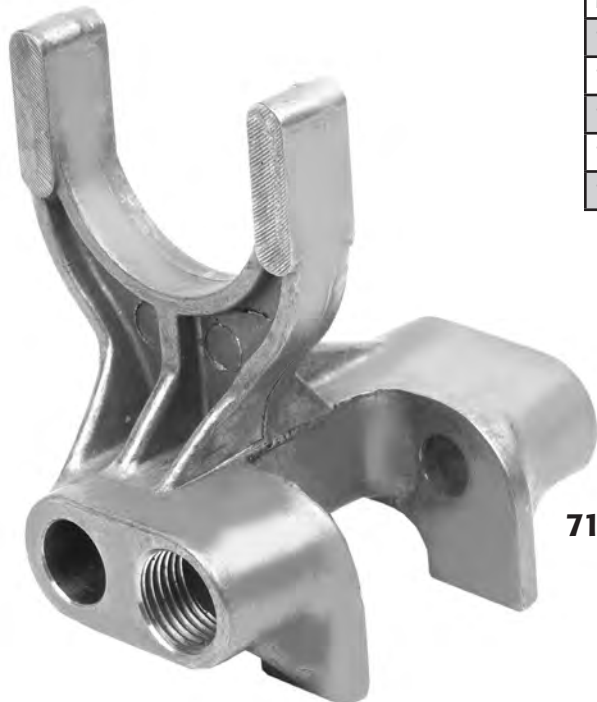
Hobart® Dough Mixer

Center Planetary Shafts For Models A-120, A-200



Part #	OEM #	Description
71004	13160	Yoke Shifter A-120, A-200, D-300
71008	00-024551	Center Shaft Assembly "Old Style" A-120, A-200
71011	12750/24551	Shaft, Center A-120, A-200
71020	124734	Planetary Shaft "New Style" A-120, A-200
71112	00-291821	Switch

No Returns on Electrical Items



71004



71112

Planetary Shaft For Model A-120, A-200



71116
Switch, Electronic Start

No Returns on Electrical Items

Part #	OEM #	Description
71001	BB-20-18	Ball Bearing
71003	00-012695	Bearing, Clutch Gear
71006	R-12430-17	Key, Transmission Gear
71010	114695	Oil Seal
71020	124734	Planetary Shaft
71022	NS-32-29	Stop Nut
71023	24715-3	Acorn Nut
71028	BB-20-6	Ball Bearing
71031	109070-2	Key, Planetary Shaft
71035	67500-78	"O" Ring, 5 Pkg
71036	WS-8-13	Washer Retaining, 10 Pkg
71037	WS-24-1	Washer Retaining, 10 Pkg
71039	WS-10-18	Washer, Bearing Shim .002" 5 Pkg
71040	WS-10-19	Washer, Bearing Shim .003" 10 Pkg
71041	WS-10-20	Washer, Bearing Shim .010" 10 Pkg
71045	10928-2	Nut, Special
71047	124946	Washer, Fiber, 10 Pkg
71049	107145	Spacer
71053	12430-59	Key, Planetary Shaft
71116	271612-2	Switch, Electronic Start
71167	12723	Spacer
71202	70035-1	Clutch Sleeve



71020
Planetary Shaft



71047
10 PCS PKG



71037
10 PCS PKG



71045



71023

71022



71036
10 PCS PKG



71031



71001



71039
5 PCS PKG



71040 **71041**
10 PCS PKG 10 PCS PKG



71049



71053



71202
Clutch Sleeve

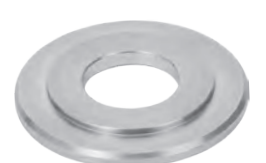
71053



71003



71167
Spacer



71028



71006



71035
5 PCS PKG

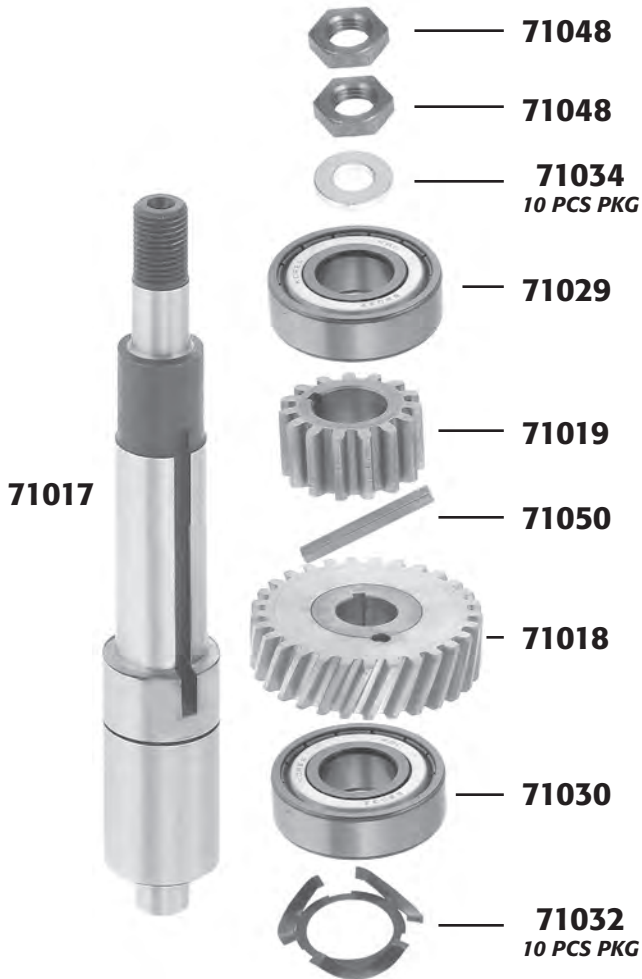


71010

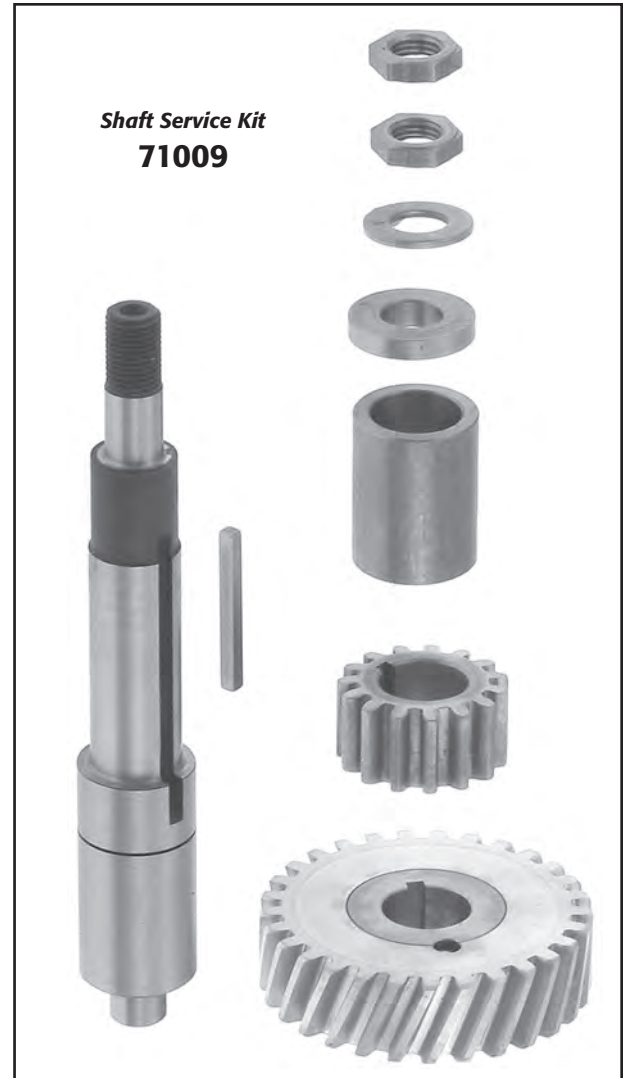


Dough Mixer

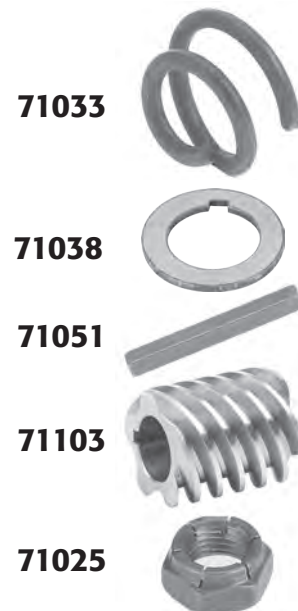
Models A-120, A-200



Hobart® Dough Mixer



Part #	OEM #	Description
71009	00-293615	Shaft Service Kit
71017	291128	Shaft, Worm Wheel
71018	124751-3	Worm Wheel & Bushing Assy
71019	124748	Gear
71025	NS-32-23	Lock Nut, Worm
71029	BB-5-2	Ball Bearing
71030	BB-5-1	Ball Bearing
71032	SL-02-08	Spring, Loading, 10 Pkg
71033	12757	Spring, Shock Absorber, Worm
71034	WS-6-36	Washer, Retaining 10 Pkg
71038	12754	Washer, Worm Wheel Shaft
71048	12710	Nut, Retaining
71050	12430-4	Key, Worm Wheel Shaft
71051	12747	Key, Worm
71103	291221	Worm, Motor



4 Hobart® Dough Mixer

Transmission Shaft & Components For Model A-200



71018
Worm Wheel & Bushing Assy



71103
Motor Worm

71054
Transmission Shaft



71048



71048



71034
10 PCS PKG



71029



71052



71044



71052



71024



71030

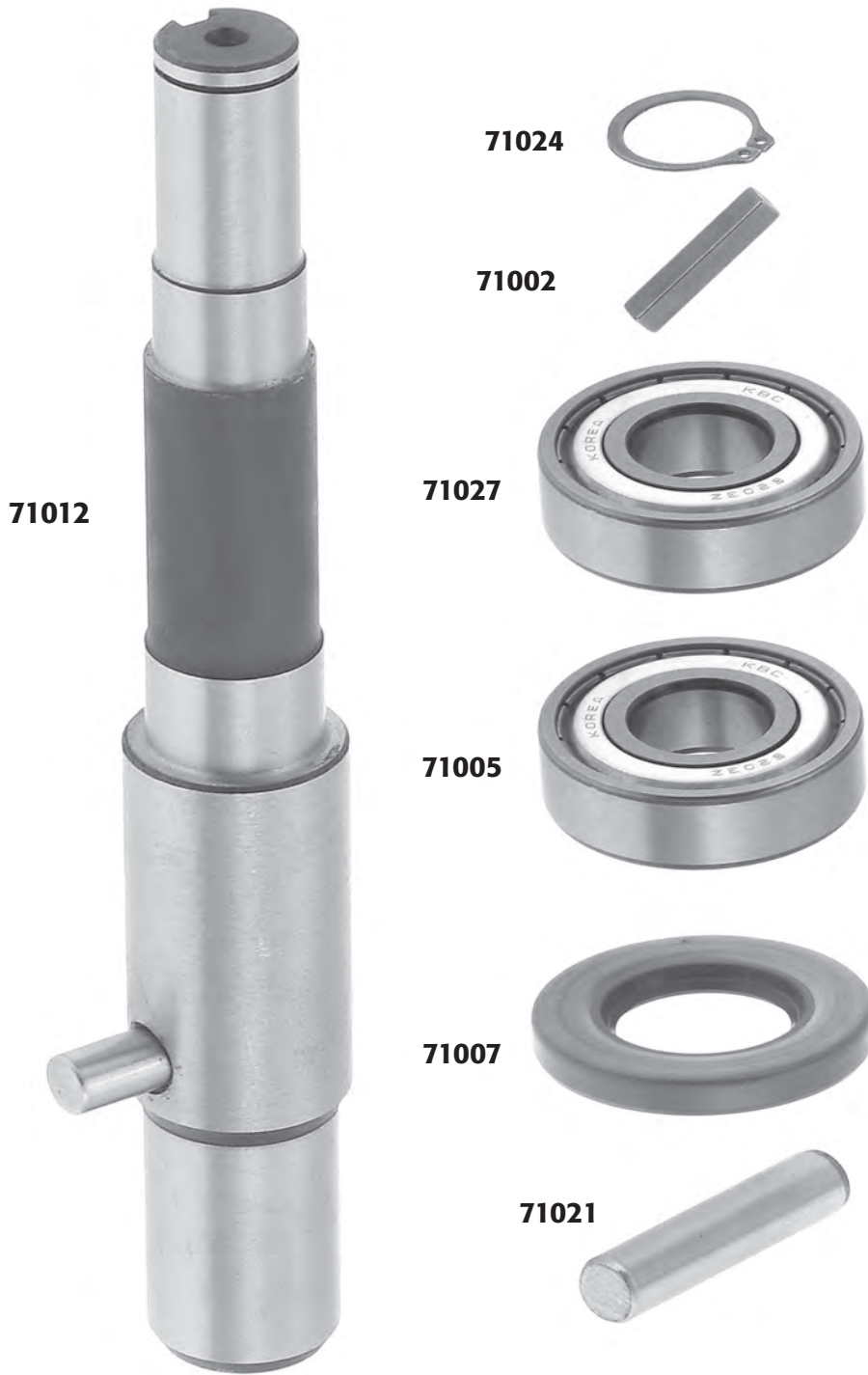


71032
10 PCS PKG

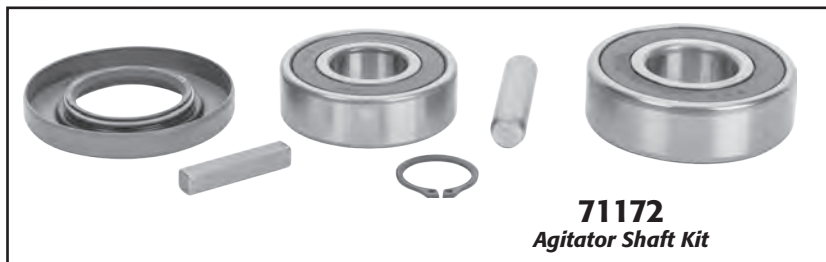
Part #	OEM #	Description
71018	124751-3	Worm Wheel & Bushing Assy
71024	RR-4-18	Retaining Ring
71029	BB-5-2	Ball Bearing
71030	BB-5-1	Ball Bearing
71032	SI-02-08	Spring, Loading, 10 Pkg
71034	WS-6-36	Washer, Retaining 10 Pkg
71044	12697	Spacer, Lower
71048	12710	Nut, Retaining
71052	435297	Key, Transmission Shaft
71054	291236	Shaft, Transmission
71103	291221	Motor Worm

Dough Mixer

Agitator Shaft Components For Model A-200



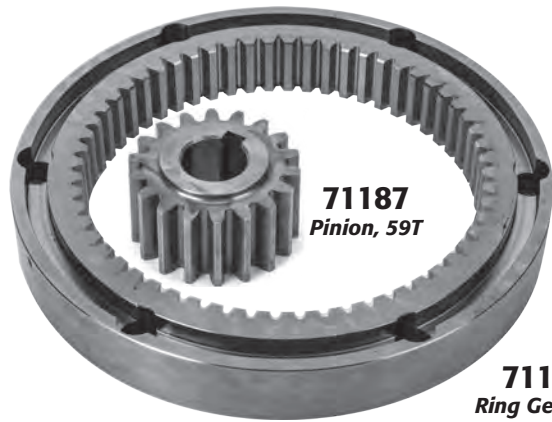
Part #	OEM #	Description
71002	R-12430-55	Key, Agitator Shaft
71005	BB-20-6	Ball Bearing
71007	00-023482	Oil Seal 1" I.D.
71012	113936	Shaft Assy, Agitator
71021	65062-1	Pin, Agitator Shaft
71024	RR-4-18	Retaining Ring
71027	BB-17-12	Ball Bearing
71172	N/A	Agitator Shaft Kit



Hobart® Dough Mixer

6 Hobart® Dough Mixer

Planetary Shaft, Components & Switches For Model D-300



71060
Needle Bearing
Attachment Nose

71056
Planetary Shaft
& Bushing



71116
Switch,
Electronic Start



71115
Switch, Toggle

No returns on electrical parts

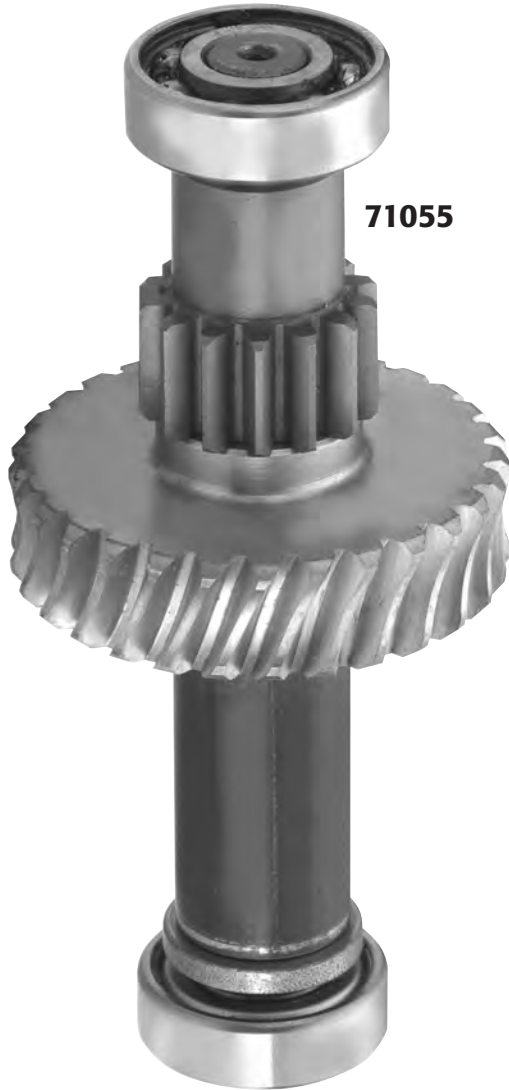
Part #	OEM #	Description
71056	71187	Planetary Shaft & Bushing
71057	110334	Seal Planetary Shaft
71060	BN-2-12	Bearing Needle Attachment Nose
71062	NS-32-32	Stop Nut
71095	BB-9-41	Bearing, Planetary Upper, No Ring
71096	12430-161	Key 1/4
71097	12430-55	Key 3/16
71098	BB-8-33	Bearing, Planetary Lower
71110	BB-9-41	Bearing, Planetary Upper, with Ring
71115	87711-229	Switch, Toggle
71116	271612-2	Switch, Electronic Start
71186	438472	Gear, Internal 59T
71187	70014	Pinion Gear 59T
71202	70035-1	Clutch Sleeve



Dough Mixer

Hobart® Dough Mixer

Worm Shaft & Component Parts For Model D-300



Part #	OEM #	Description
71055	270533-1	Shaft, Assy. Worm Gear & Bushing
71063	BB-17-4	Bearing, Drive Shaft, Top
71063	BB-17-4	Bearing, Drive Shaft, Bottom
71104	291130	Worm Shaft
71105	70034	Gear
71106	124765-3	Spacer
71107	270526	Spacer, Step
71108	12430-49	Key, Worm Shaft
71109	70166	Spring, Worm Shaft

Transmission For Model D-300



71015
Transmission Shaft



71103
Motor Worm



71060
Needle Bearing Attachment Nose



71092
Bearing



71196
Gear 32T



71093
Key



71195
Spacer



71094
Key



71194
Gear 33T



71193
Gear 23T



71061
Needle Bearing

Part #	OEM #	Description
71015	89818	Shaft, Transmission
71060	BN-2-12	Bearing, Needle, Attachment Nose
71061	BN-2-2	Bearing, Needle (T-shaft Bottom)
71092	BB-17-9	Ball Bearing, Trans Shaft Upper
71093	89830	Key, Trans Shaft, Upper
71094	70260	Key, Trans Shaft, Lower
71103	291221	Motor Worm
71193	70028	Gear 23T
71194	70030	Gear 33T
71195	89829	Spacer
71196	89831	Gear 32T

Dough Mixer

Hobart® Dough Mixer

Agitator Shaft & Component Parts for Model D-300

71099 Retaining Ring, Agitator Shaft, Upper

71100 Key, Pinion, Agitator Shaft

71101 Key, Planetary, Lower

71065 Bearing, Agitator Shaft, Top

71187 Pinion

71186 Ring Gear 59T

71066 Bearing, Agitator Shaft, Bottom

71059 Seal

71058 Agitator Shaft Assembly

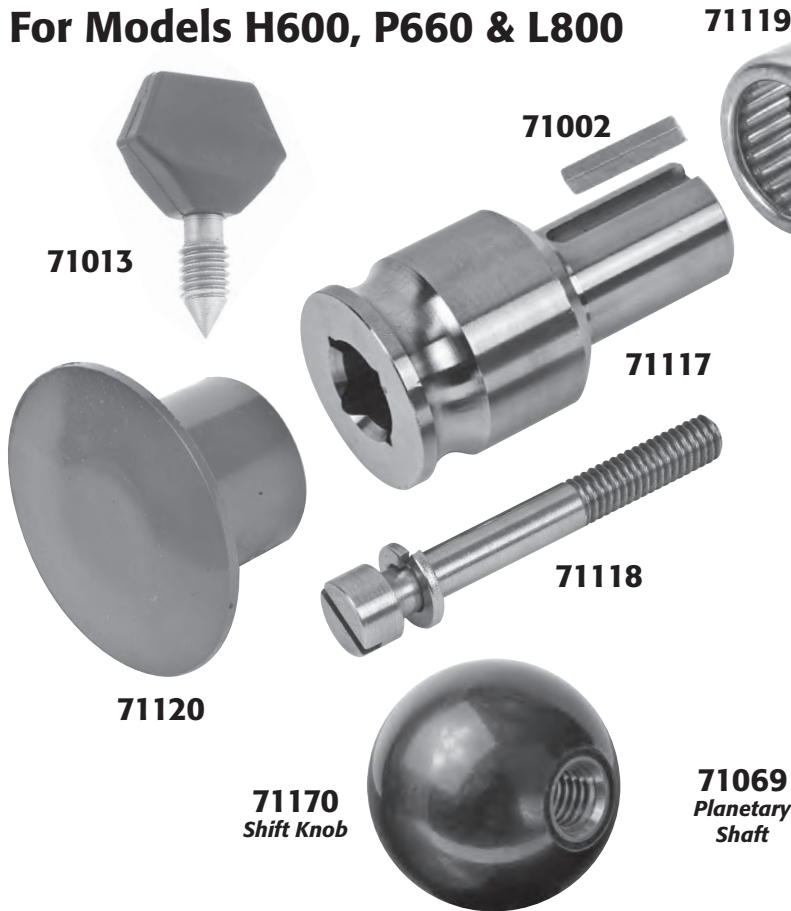
71169 Knob, Shift Handle

71060 Bearing

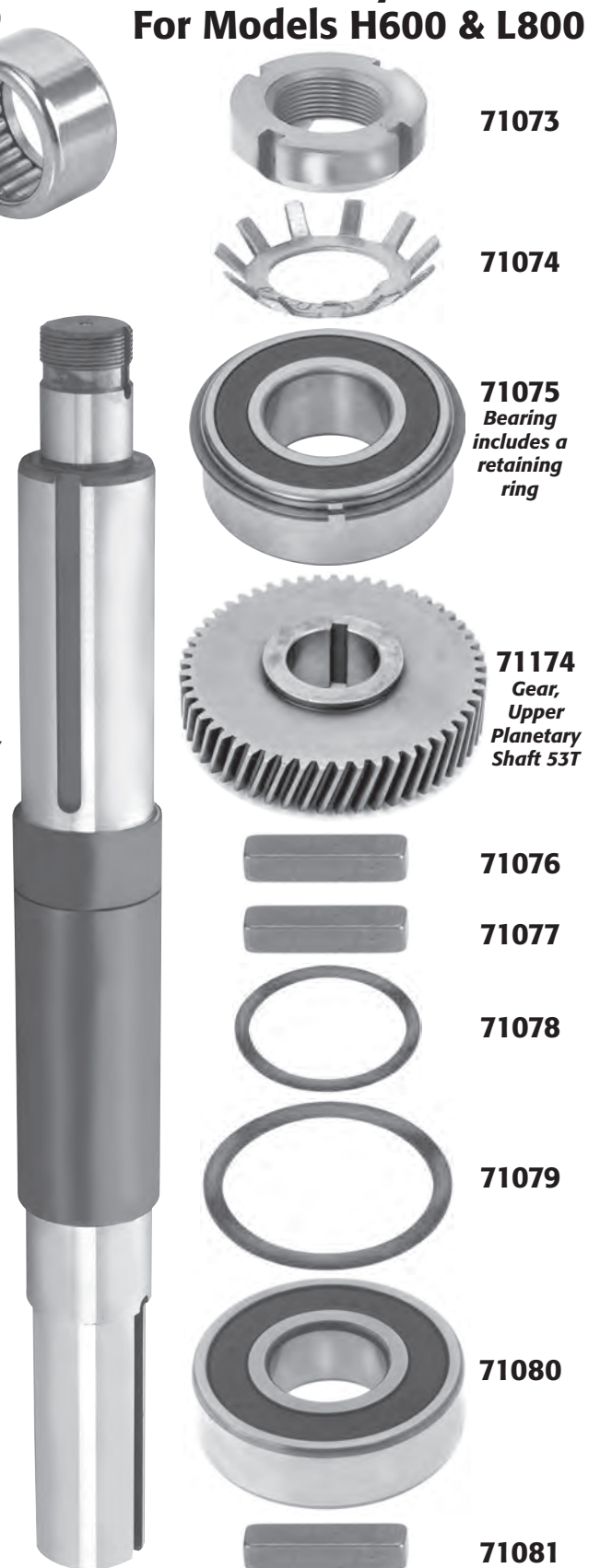
71102 Agitator Pin

Part #	OEM #	Description
71058	70339	Agitator Shaft Assembly
71059	110335	Seal, Planetary Shaft
71060	BN-2-12	Bearing, Needle, Attachment, Nose
71065	BB-20-6	Bearing, Agitator Shaft, Top
71066	BB-17-36	Bearing, Agitator Shaft, Bottom
71099	RR-4-6	Retaining Ring, Agitator Shaft, Upper
71100	12430-142	Key, Pinion, Agitator Shaft
71101	12430-158	Key, Planetary, Lower
71102	70019	Pin, Agitator
71169	70085	Knob, Shift Handle
71186	438472	Ring Gear 59T
71187	70014	Pinion

#12 Attachment Hub For Models H600, P660 & L800



Planetary Shaft For Models H600 & L800

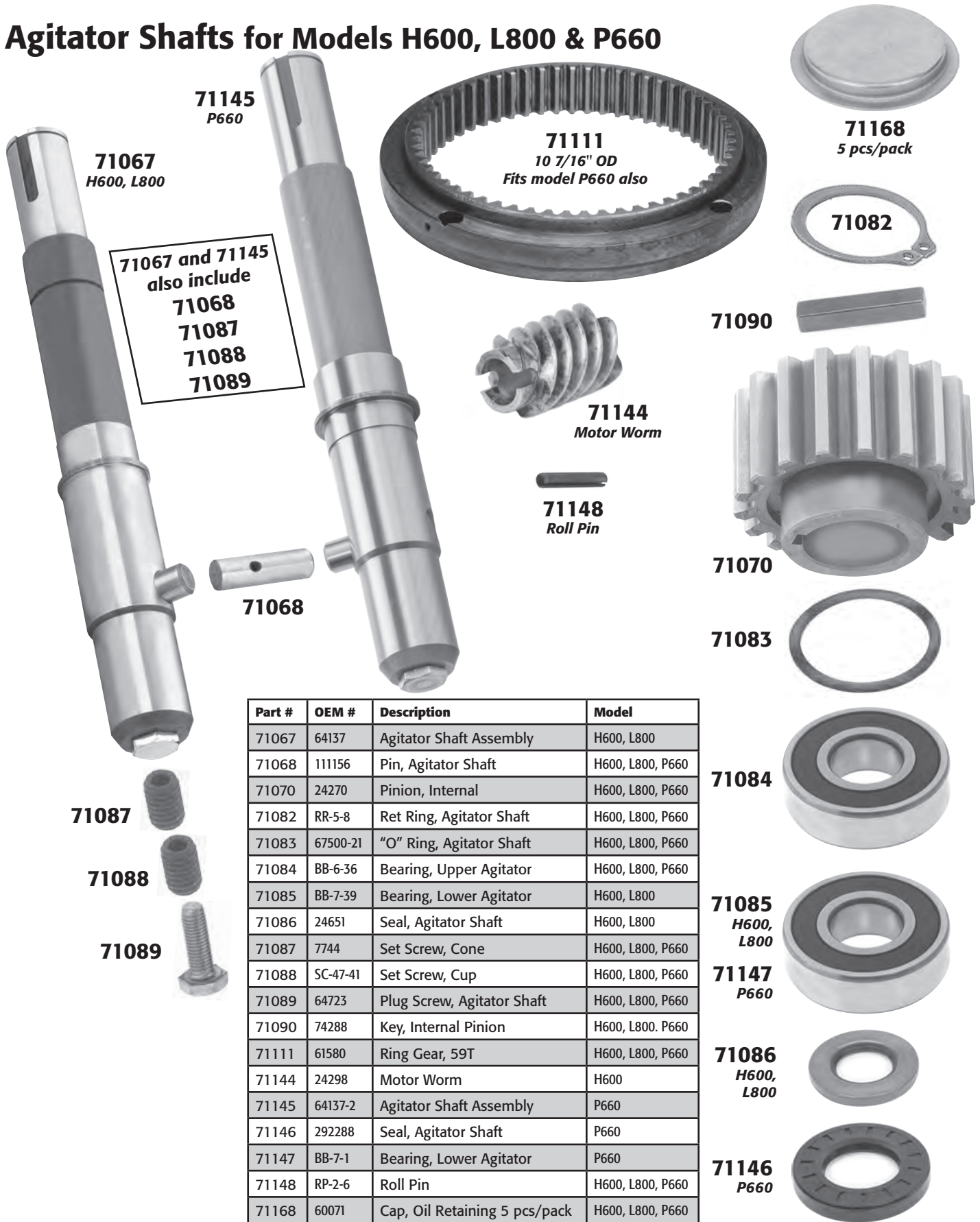


Part #	OEM #	Description
71002	R-12430-53	Key, Sleeve
71013	108197-1	Thumb Screw
71069	24222	Planetary Shaft
71073	NS-34-7	Lock Nut, Planetary Shaft
71074	WL-12-7	Lock Washer, Planetary Shaft
71075	BB-9-48	Ball Bearing, Upper Planetary, with retaining ring
71076	12430-210	Key, Upper Planetary
71077	12430-211	Key, Planetary Shaft
71078	67500-19	"O" Ring, Bevel Gear
71079	67500-102	"O" Ring, Chimney
71080	BB-15-26	Ball Bearing, Lower Planetary Shaft
71081	12430-195	Key, Lower Planetary
71117	61506	Sleeve, Square Drive
71118	439271	Screw, Special LH
71119	BN-2-6	Needle Bearing
71120	917221	Plug, Attachment
71170	60648	Shift Knob
71174	24225	Gear, Upper Planetary 53T P660 w/large hole

Dough Mixer

Hobart® Dough Mixer

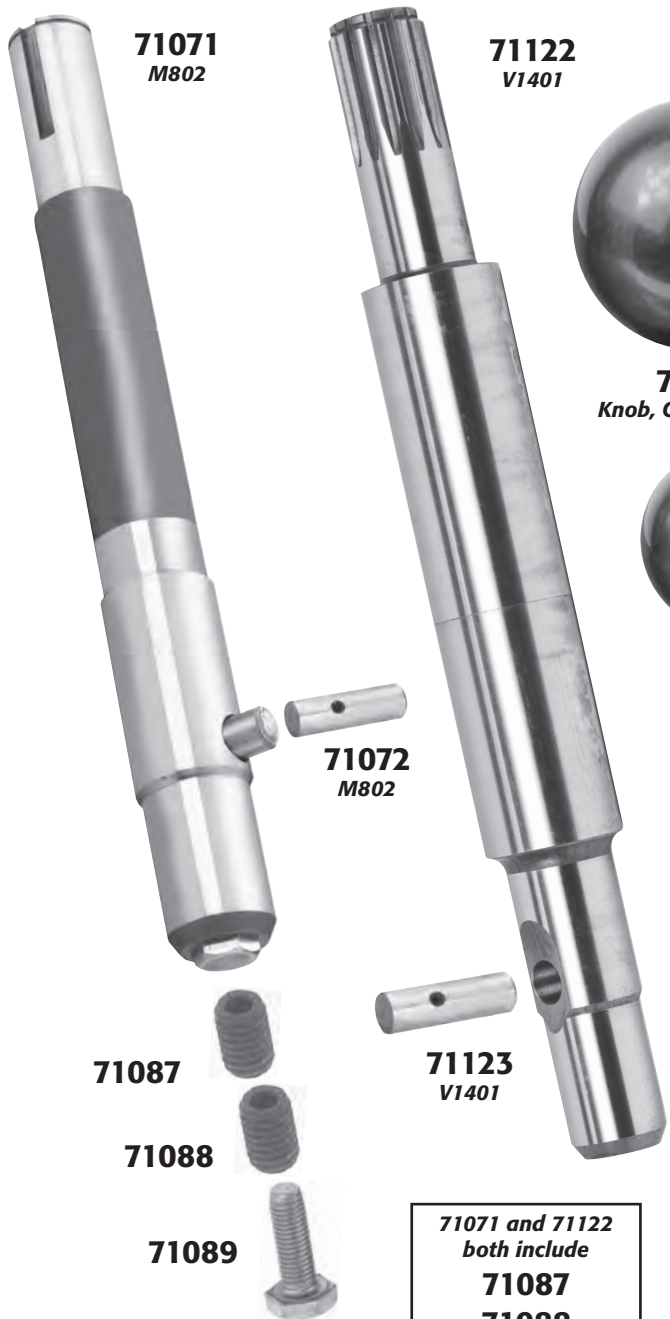
Agitator Shafts for Models H600, L800 & P660



71067 and 71145
also include
71068
71087
71088
71089

Part #	OEM #	Description	Model
71067	64137	Agitator Shaft Assembly	H600, L800
71068	111156	Pin, Agitator Shaft	H600, L800, P660
71070	24270	Pinion, Internal	H600, L800, P660
71082	RR-5-8	Ret Ring, Agitator Shaft	H600, L800, P660
71083	67500-21	"O" Ring, Agitator Shaft	H600, L800, P660
71084	BB-6-36	Bearing, Upper Agitator	H600, L800, P660
71085	BB-7-39	Bearing, Lower Agitator	H600, L800
71086	24651	Seal, Agitator Shaft	H600, L800
71087	7744	Set Screw, Cone	H600, L800, P660
71088	SC-47-41	Set Screw, Cup	H600, L800, P660
71089	64723	Plug Screw, Agitator Shaft	H600, L800, P660
71090	74288	Key, Internal Pinion	H600, L800, P660
71111	61580	Ring Gear, 59T	H600, L800, P660
71144	24298	Motor Worm	H600
71145	64137-2	Agitator Shaft Assembly	P660
71146	292288	Seal, Agitator Shaft	P660
71147	BB-7-1	Bearing, Lower Agitator	P660
71148	RP-2-6	Roll Pin	H600, L800, P660
71168	60071	Cap, Oil Retaining 5 pcs/pack	H600, L800, P660

Agitator Shafts For Models M802 & V1401



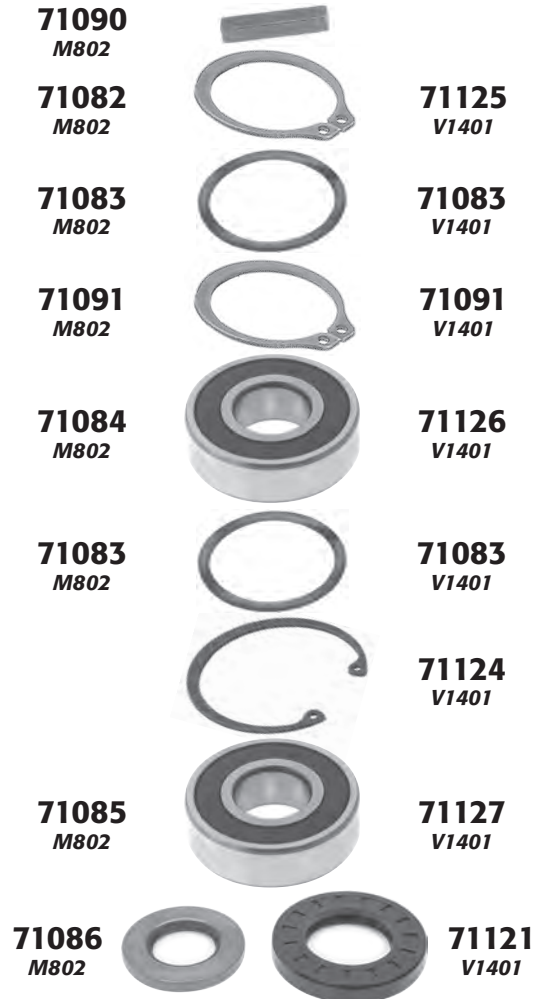
**71071 and 71122
both include
71087
71088
71089**



71171
Knob, Gear & Clutch



71170
Lift Knob



Part #	OEM #	Description	Model
71071	65749	Agitator Shaft Assembly	M802
71072	65717	Pin, Agitator Shaft	M802
71082	RR-5-8	Retaining Ring, Agitator Shaft	M802
71083	67500-21	"O" Ring, Agitator Shaft	M802, V1401
71084	BB-6-36	Bearing, Upper Agitator Shaft	M802
71085	BB-7-39	Bearing, Lower Agitator Shaft	M802
71086	24651	Seal, Planetary	M802
71087	7744	Set Screw, Cone	M802, V1401
71088	SC-47-41	Set Screw, Cup	M802, V1401
71089	64723	Plug Screw, Agitator Shaft	M802, V1401
71090	74288	Key, Internal Pinion	M802
71091	RR-4-24	Retaining Ring, Agitator Shaft	M802, V1401
71121	68045	Seal, Planetary	V1401
71122	73821	Agitator Shaft Assembly	V1401
71123	77757	Pin, Agitator Shaft	V1401
71124	RR-6-7	Retaining Ring, Lower Agitator Shaft	V1401
71125	RR-6-8	Retaining Ring, Upper Agitator Shaft	V1401
71126	BB-9-44	Bearing, Upper Agitator Shaft	V1401
71127	BB-9-45	Bearing, Lower Agitator Shaft	V1401
71170	60468	Lift Knob	M802, V1401
71171	64645	Knob, Gear & Clutch	M802, V1401

Dough Mixer

Shaft, Main Drive For Models M802 & V1401

71133
M802 and V1401



Hobart® Dough Mixer



71142
M802, V1401



71140
M802, V1401



71134
M802, V1401



71141
M802, V1401



71129
M802, V1401



71149
M802
71143
V1401



71135
M802, V1401

Part #	OEM #	Description	Model
71129	121382	Gear, Lower Worm Shaft 17T	M802, V1401
71133	74221	Shaft, Main Drive	M802, V1401
71134	24207	Gear, Upper Worm Shaft 25T	M802, V1401
71135	RR-4-7	Ret Ring, Lower Main Shaft	M802, V1401
71140	64670	Key, (Special)	M802, V1401
71141	120937	Key, (Special)	M802, V1401
71142	BB-7-46	Bearing, Upper Main Shaft	M802, V1401
71143	BB-10-16	Bearing, Lower Main Shaft	V1401
71149	BB-6-1	Bearing, Lower Main Shaft	M802

Worm Shaft for Models H600, L800, P660



71128
Shaft, Worm Gear

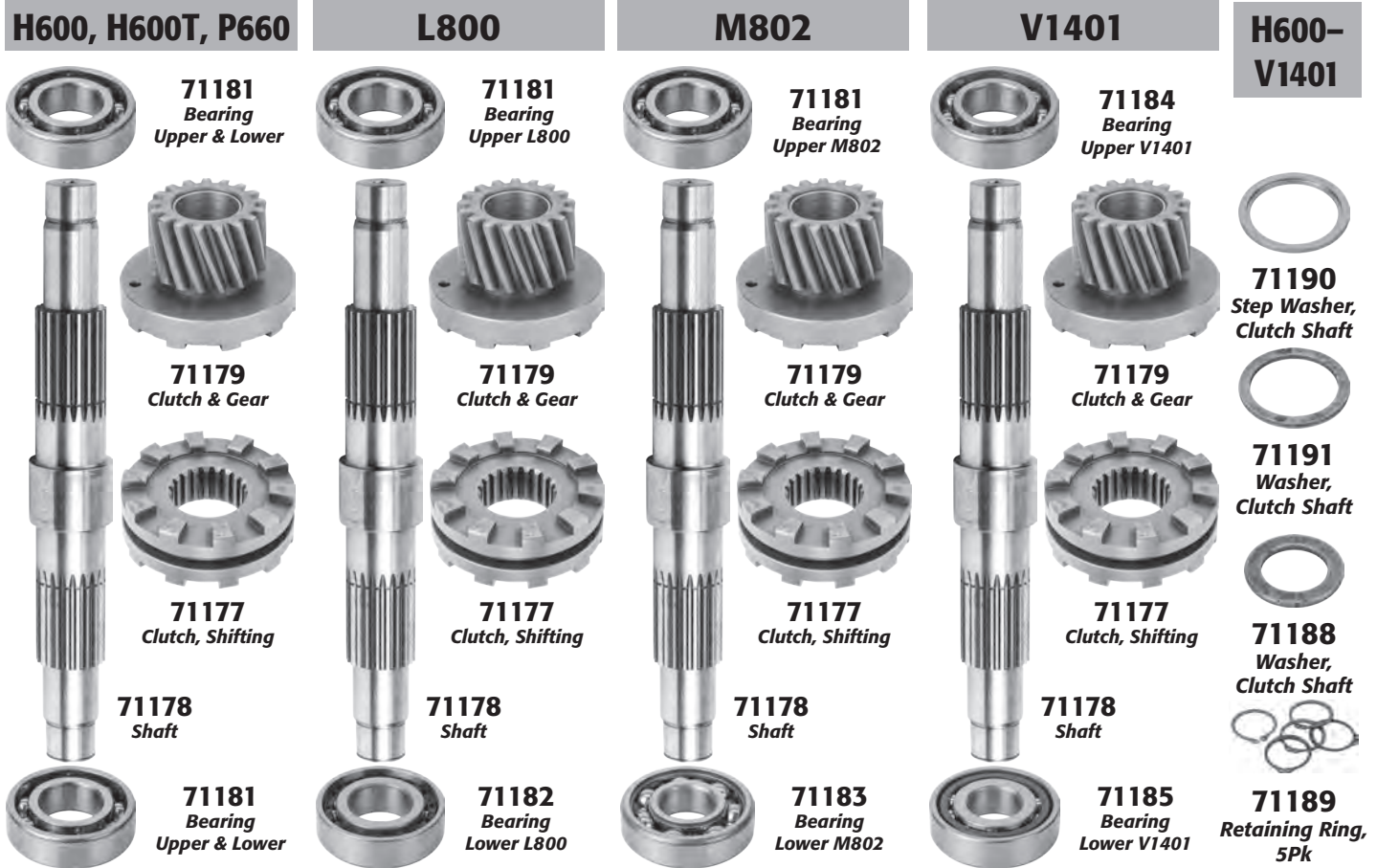
Part #	OEM #	Description	Model
71128	24204	Shaft, Worm Gear	H600, L800, P660
71129	12382	Gear, Lower, Worm Shaft (17T)	H600, L800, P660
71130	24735	Worm Gear (31T) Bronze	H600
71131	BB-9-37	Bearing, Worm Shaft, Upper	H600, L800, P660
71132	BB-12-7	Bearing, Worm Shaft, Lower	H600, L800
71134	24207	Gear, Worm Shaft, Upper (25T)	H600, L800, P660
71136	12430-51	Key, Worm Gears	H600, L800, P660
71137	NS-34-5	Locknut	H600, L800, P660
71138	WL-12-5	Lockwasher	H600, L800, P660
71139	RR-5-10	Ret Ring, Worm Gear Shaft	H600, L800, P660
71203	24208	Worm Gear, 29 Teeth	L800 Series

Dough Mixer

Hobart® Dough Mixer

Clutch Shaft

For Models H600, H600T, L800, M802, V1401



Part #	OEM #	Description	Model
71177	24213	Clutch, Shifting	H600, L800, M802, V1401, P660
71178	24209	Clutch Shaft	H600, L800, M802, V1401
71179	24545	Upper Clutch & Gear Assy	H600, L800, M802, V1401, P660
71181	BB-018-33	Bearing, Upper & Lower Clutch Shaft	H600, H600T
71181	BB-018-33	Bearing, Upper Clutch Shaft	L800, M802
71182	BB-008-31	Bearing, Lower Clutch Shaft	L800
71183	BB-018-31	Bearing, Lower Clutch Shaft	M802
71184	BB-008-30	Bearing, Upper Clutch Shaft	V1401
71185	BB-018-22	Bearing, Lower Clutch Shaft	V1401
71188	24210	Spacer, Clutch Shaft	H600, L800, M802, V1401
71189	RR-4-13	Retaining Ring	P660, H600, L800, M802, V1401
71190	24216	Washer, Clutch Shaft	H600, L800, M802, V1401
71191	60767	Washer, Clutch Shaft	P660, H600, L800, M802, V1401

Additional Clutch Shaft Items For Models H600, H600T, L800, M802, V1401



Part #	OEM #	Description
71178	24209	Clutch Shaft
71179	24545	Upper Clutch & Gear Assy
71180	24218	Bushing
71181	BB-018-33	Bearing, Upper & Lower Clutch Shaft
71181	BB-018-33	Bearing, Upper & Lower Clutch Shaft, H600 only
71182	BB-008-31	Bearing, Lower Clutch Shaft
71184	BB-008-30	Bearing, Upper Clutch Shaft, V1401 only
71188	24210	Spacer, Clutch Shaft
71189	RR-4-13	Retaining Ring, 5 Pk
71190	24216	Step Washer, Clutch Shaft
71191	60767	Washer, Clutch Shaft
71192	RR-5-4	Retaining Ring, 5 Pk
71195	89829	Spacer

Dough Mixer

Hobart® Dough Mixer

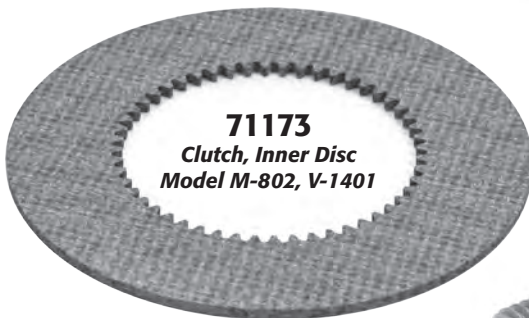
Miscellaneous Parts



71176
Nut, Bowl Lift
Model H-600, L-800



71175
Nut, Bowl Lift
Model M-802, V-1401



71173
Clutch, Inner Disc
Model M-802, V-1401



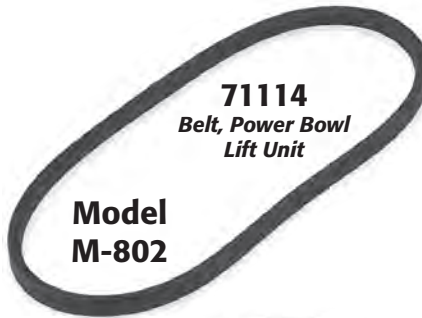
71197
Clutch, Outer Disc



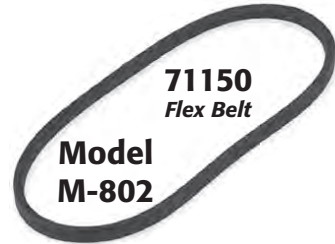
71013
Model # A-200, D-300, D-340, H-600



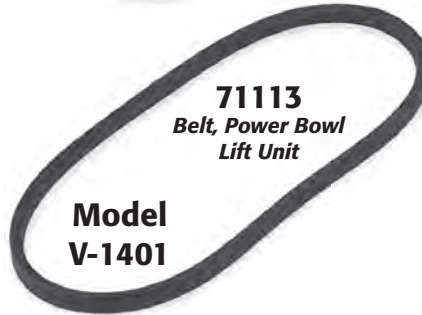
71014
Model # L-800, M-802, V-1401, 8145



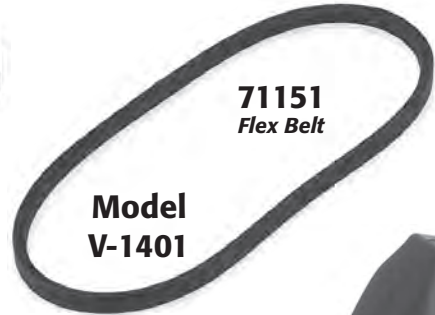
71114
Belt, Power Bowl
Lift Unit
Model
M-802



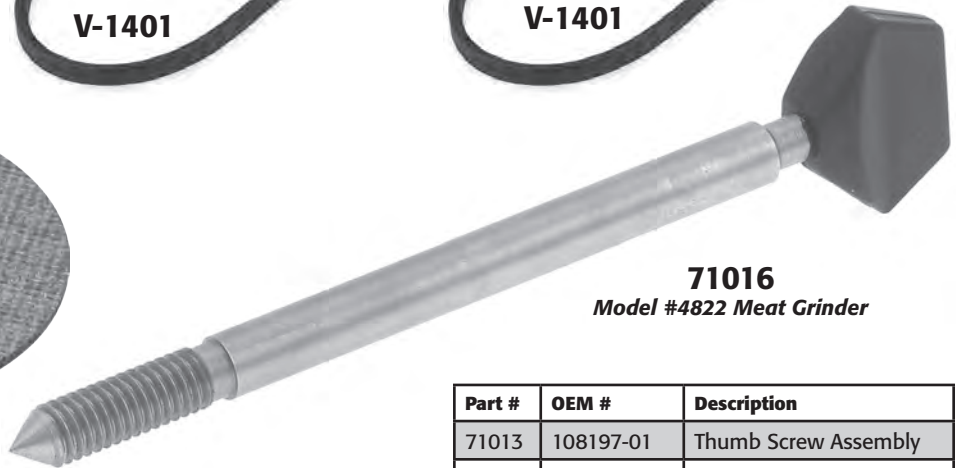
71150
Flex Belt
Model
M-802



71113
Belt, Power Bowl
Lift Unit
Model
V-1401

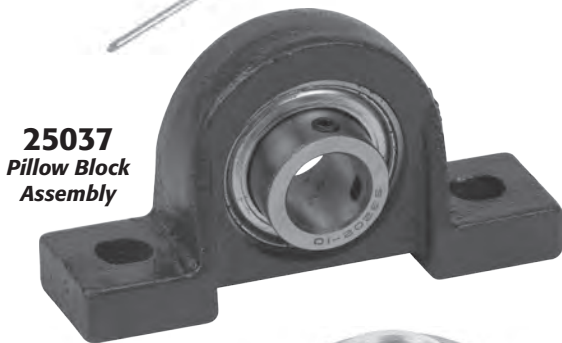
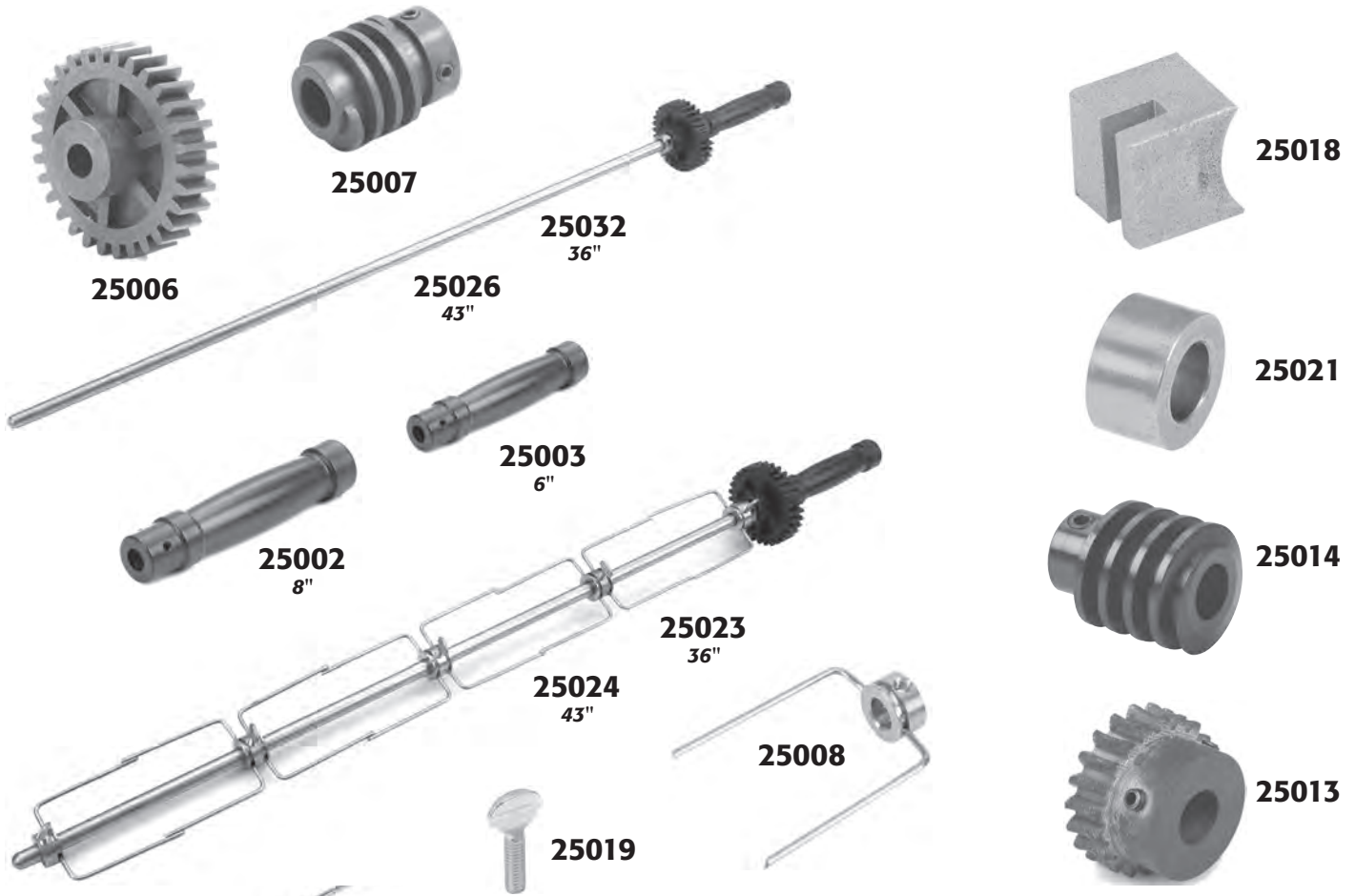


71151
Flex Belt
Model
V-1401

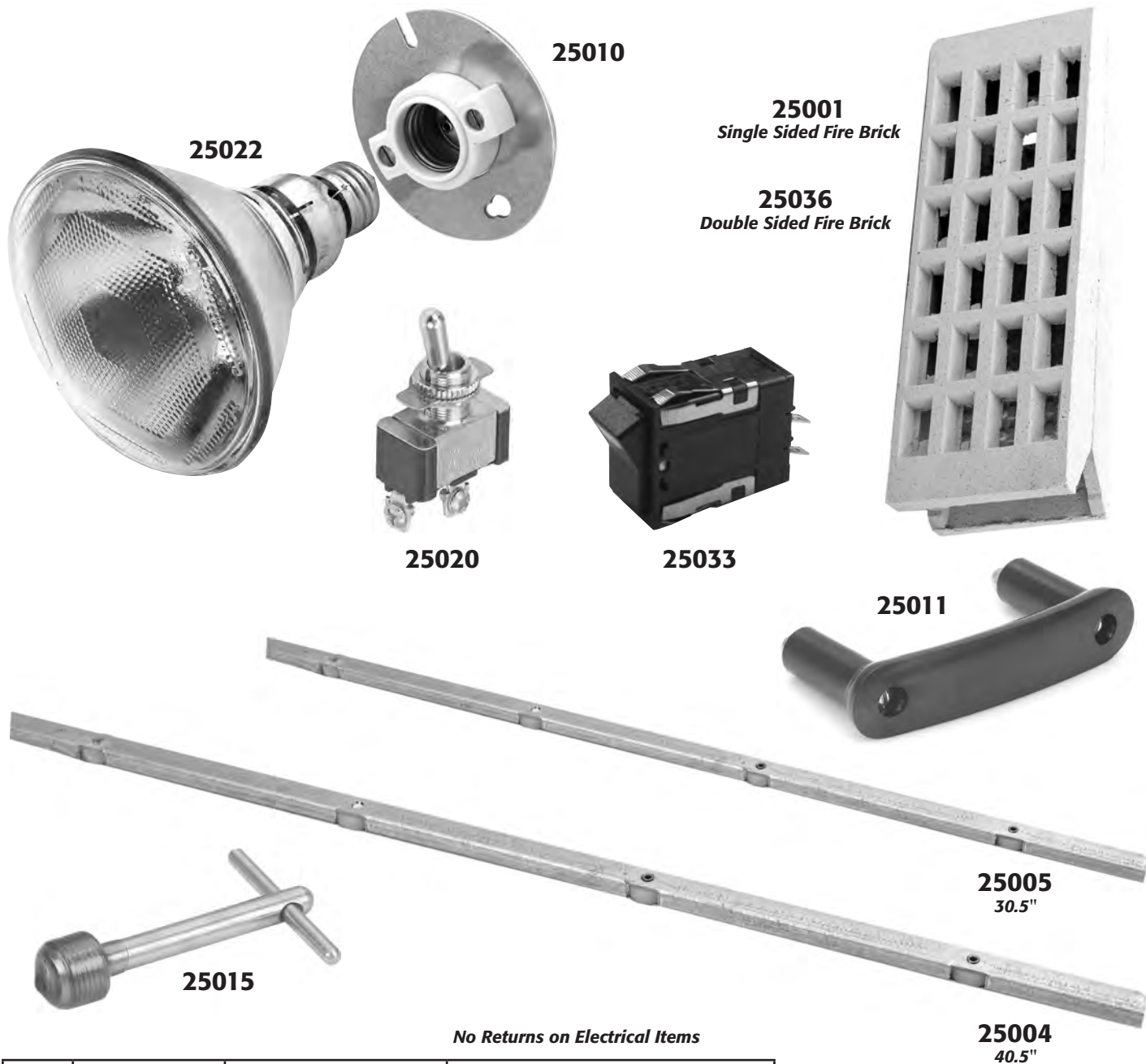


71016
Model #4822 Meat Grinder

Part #	OEM #	Description
71013	108197-01	Thumb Screw Assembly
71014	108197-02	Thumb Screw Assembly
71016	108197-04	Thumb Screw Assembly
71113	BV-13-17	Belt, Power Bowl Lift Unit
71114	BV-13-18	Belt, Power Bowl Lift Unit
71150	65107	Flex Belt
71151	68043	Flex Belt
71173	873117	Clutch & Brake Inner Disc
71175	06822	Nut, Bowl Lift
71176	24198	Nut, Bowl Lift
71197	64432	Clutch Outer Disc



Part #	OEM #	Description	Fits Models
25002	193	Spit Handle, 8"	N/7, N/9, N/14, N/18
25003	419	Spit Handle, 6"	N/45 WDG
25006	192	Spit Gear	N/7, N/9, N/14, N/18
25007	184	Shaft Worm	N/7, N/9, N/14, N/18, N/45 WDG
25008	186	Skewer, SS	All Models
25009	185	Skewer, Double, SS	All Models
25013	131	Motor Gear	N/7, N/9, N/14, N/18, N/45 WDG
25014	157	Motor Worm Assembly	N/7, N/9, N/14/ N/18, N/45 WDG
25018	158	Skewer Bushing	N/7, N/9, N/14, N/18, N/45 WDG
25019	219	Thumb Screw, SS	All Models
25021	191	Spit Collar, SS	All Models
25023	417	Spit, Complete, 36"	N/45 WDG
25024	189	Spit, Complete, 43"	N/7, N/9, N/14, N/18
25025	159	Bearing, Pillow Block	N/7, N/9, N/14, N/18, N/45, N/45 WDG
25026	190	Spit w/No Skewer 43"	N/7, N/9, N/14, N/18
25032	418	Spit w/No Skewer 36"	N/45 WDG
25037	159	Pillow Block Assembly	N/7, N/9, N/14, N/18, N/45, N45 WDG



No Returns on Electrical Items

Part #	OEM #	Description	Fits Models
25001	113	Fire Brick, Single Sided	3G, 3GS, 5G, N7G, SM20G, SM40G, N45
25004	410	Glass Trolley 40.5" Long	45WDG
25005	145	Glass Trolley 30.5" Long	N/7, N/9, N/14, N/18
25010	152	Lamp Socket	N7, N9, N14, N18, N45WDG
25011	147	Handle Assembly, Plastic	N/7, N/9, N/14, N/18, N/45WDG
25015	121	Plug, Drip Pan	N/45WDG, N/5.5, N/10.10
25020	214	Switch, Single Pole	N/7, N/9, N/18, N/45WDG
25022	149	Halogen Lamp	N7, N9, N/14, N/18, N45WDG
25033	Hobart 677700-3	Switch Assembly, Rocker	HGFR
25033	Hickory 741	Switch Assembly, Rocker	5.7, 7.7
25036	112	Fire Brick, Double Sided	N14G, N18G, N5M40G



25012



25016
24"

25017
36"



25028

25031

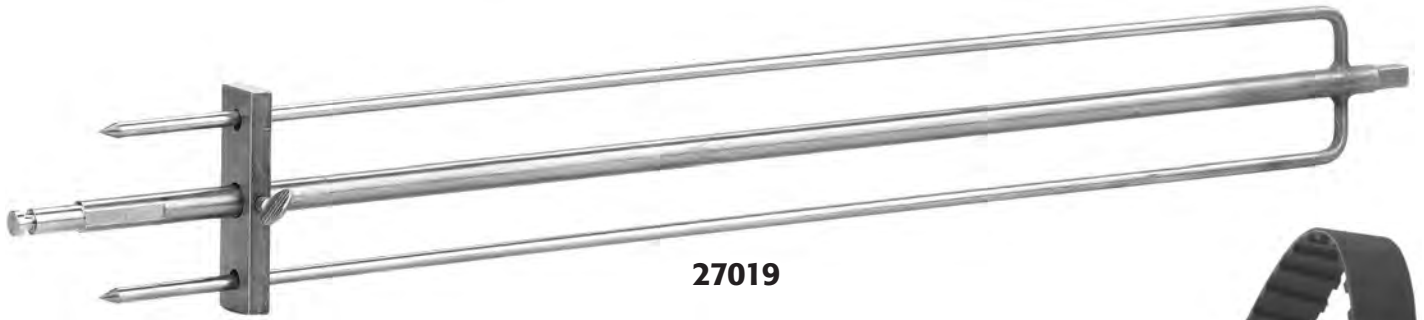
25030

25027

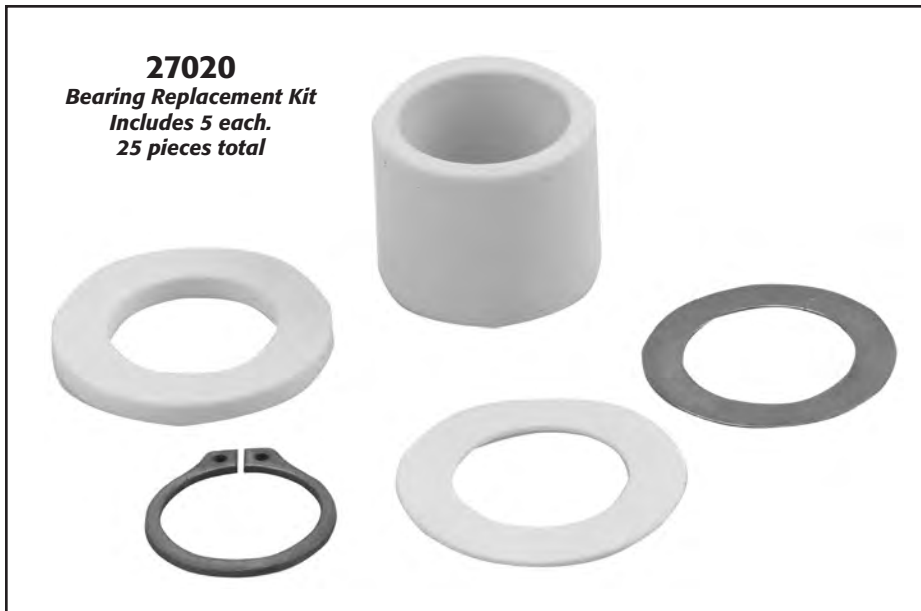
25029



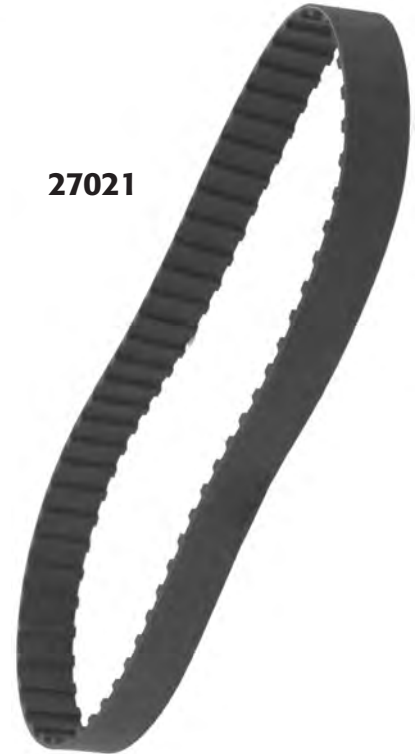
Part #	OEM #	Description	Fits Models
25012	180	Valve, Safety Manifold 3/8"	N/7G, N/9G, N/14G, N/18G, 45WDG
25016	164-B	Pilot Thermocouple, 24"	All Gas Models
25017	164	Pilot Thermocouple, 36"	All Gas Models
25027	759	Spit Drive Bearing Assembly	7.7
25028	560	Spit Driven Gear	7.7 Gas Only
25029	765	Spit Drive Bearing	7.7
25030	580	Washer	7.7
25031	755	Gear Snap Ring	7.7



27019



27020
Bearing Replacement Kit
Includes 5 each.
25 pieces total



27021

27002



27001



27003



Part #	OEM #	Description
27001	FT391	Shaft Seat
27002	R13	Roto Disc, Spit End
27003	G103	Plant Gear
27019	SB9536	Meat Fork Assembly
27020	AN95135600	Bearing Replacement Kit
27021	B501	Belt

Rotisseries

BKI® Rotisserie Parts



27004



27006



27005



27010



27007



27008



27014



27009



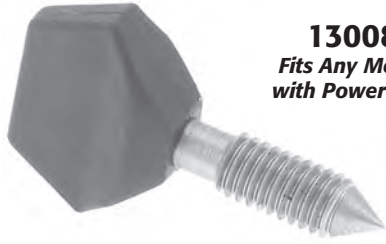
27012



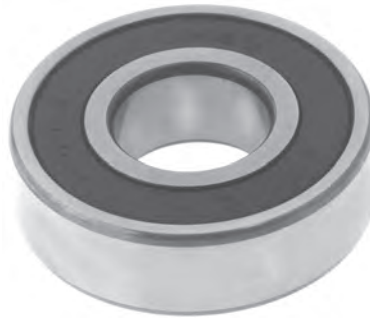
27016

No Returns on Electrical Items

Part #	OEM #	Description	Model
27004	HT10	Quartz Heater, 375 w/CL, 120v	DR 34, SR, SR2, SRW, SRC, KS
27005	HT16	Quartz Lamp, 500w, 120v	SR, SR2, SRW, SRC, KS
27006	HT2	Quartz Tube, 1000T3, 208v	SR, SR2, SRW, SRC, KS
27007	R136	Relay, Quartz Lights	DR 34
27008	R148	Relay, Heater	DR 34
27009	CP23	Capacitor	DR 34
27010	B562	Lamp, 20w, 12v	DR 34 N/S
27012	CB59	Circuit Breaker	DR 34
27014	FN14	Fan	DR 34
27016	F0097	Fuse	DR34



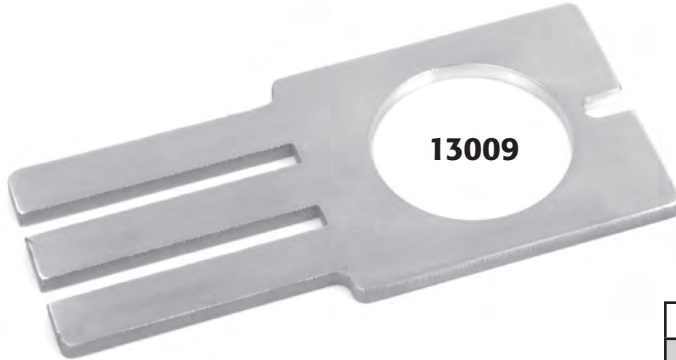
13008
Fits Any Model
with Power Hub



13022



13001



13009



**13004
or
13005**

Knives, Food Chopper

Part #	Size For	Quantity
13004	14" BOWL	Set of 2
13005	18" BOWL	Set of 2



13002



13010



13030
Kit



**13004
or
13005**



13003

Part #	OEM #	Description	Fits Models
13001	71313	Bushing, Knife Retaining	8145, 8186, 84186
13002	71312	Collar, Knife Retaining	8145, 8186, 84186
13003	71311	Nut, Collar Locking	8145, 8186, 84186
13004	P71309/P71310	Knife Set (2 Pk.), 14" Bowl	8142, 8145, 84142, 84145
13005	77372/77373	Knife Set (2 Pk.), 18" Bowl	8181, 8185, 8186, 84181D, 84186
13006	77371	Knob Fluted	8145, 8186, 84186
13007	78398	Insert, Knife Shaft	8145, 8186, 84186
13008	108197-2	Thumb Screw Assembly	Any Model w/Power Hub
13009	116642	Comb 14" SS	8145, 84145
13010	123934	Comb 18" SS	8181, 8185, 8186, 84181D, 84185, 84186D
13022	BB-7-52	Bearing, Attachment Drive	8186, 84186
13030	N/A	Fluted Knob Kit	8145, 8186, 84186



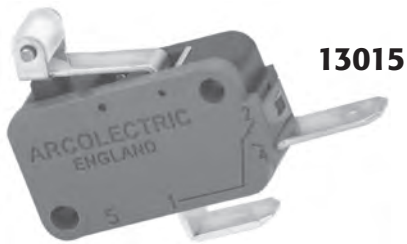
13007



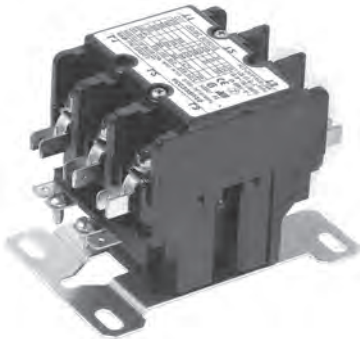
13006

Food Cutter

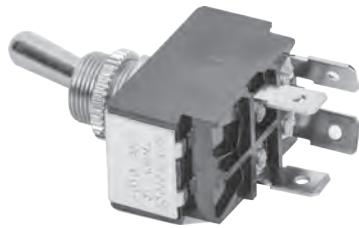
Hobart® Food Cutter



13015



13021



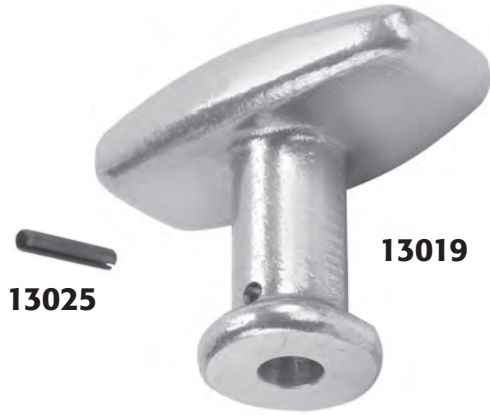
13016



13020



13029



13019



13025



13024



13018

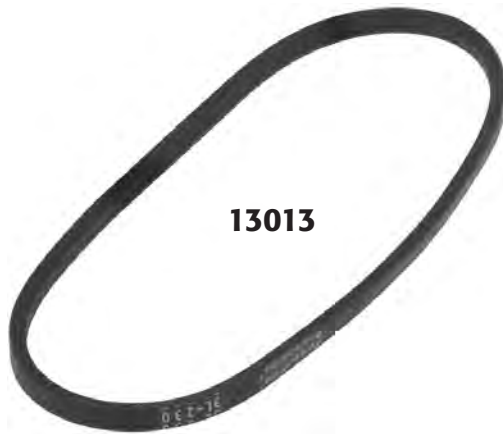
No Returns on Electrical Items

Part #	OEM #	Description	8181	8145	8185	8186	84145	84181	84185D	84186
13015	00-087711-201-2	Switch				X				X
13016	00-087711-148-2	Switch		X	X	X			X	X
13018	117168	Bolt, Interlock	X	X	X	X	X	X	X	X
13019	00-116814	Locking Handle	X	X	X	X	X	X	X	X
13020	SL-003-10	Loading Spring	X	X	X		X	X	X	
13021	87713-38-2	Contractor 2 Pole (115 volt)				X				X
13024	77374	Washer, Belleville	X	X	X	X	X	X	X	X
13025	PG-3-27	Roll Pin, Locking Handle 5 Pk.	X	X	X	X	X	X	X	X
13029	83681	Support Foot	X	X	X	X			X	X

2 Hobart® Food Cutter



13012



13013



13014

13023



13017



13026



13028

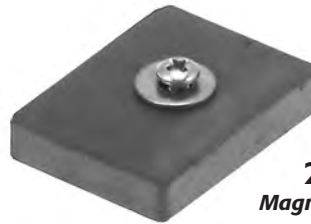


13027

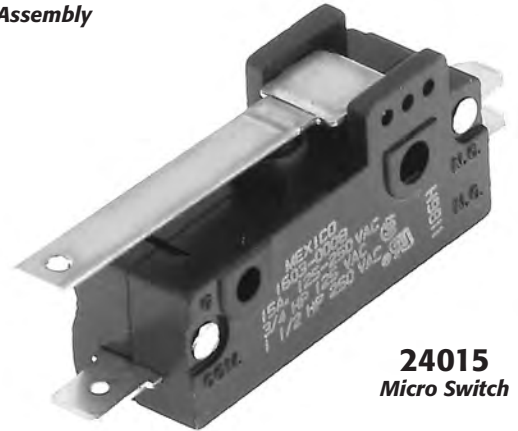


Part #	OEM #	Description	8145	8186	84145	84186
13012	291704	Belt, Round		X		X
13013	BV-013-21	Belt	X		X	
13014	117503	"V" Belt	X		X	
13017	WL-012-08	Lockwasher		X		X
13023	67500-115	"O" Ring		X		X
13026	BB-7-39	Ball Bearing Front Knife Shaft		X		X
13027	BB-15-22	Ball Bearing Rear Knife Shaft		X		X
13028	RR-4-24	Retaining Ring		X		X

Electrical



24014
Magnet Assembly



24015
Micro Switch



24012
*Cap,
Capacitor*



24013
*Capacitor,
Motor Start*



24011
*Boot,
Switch*

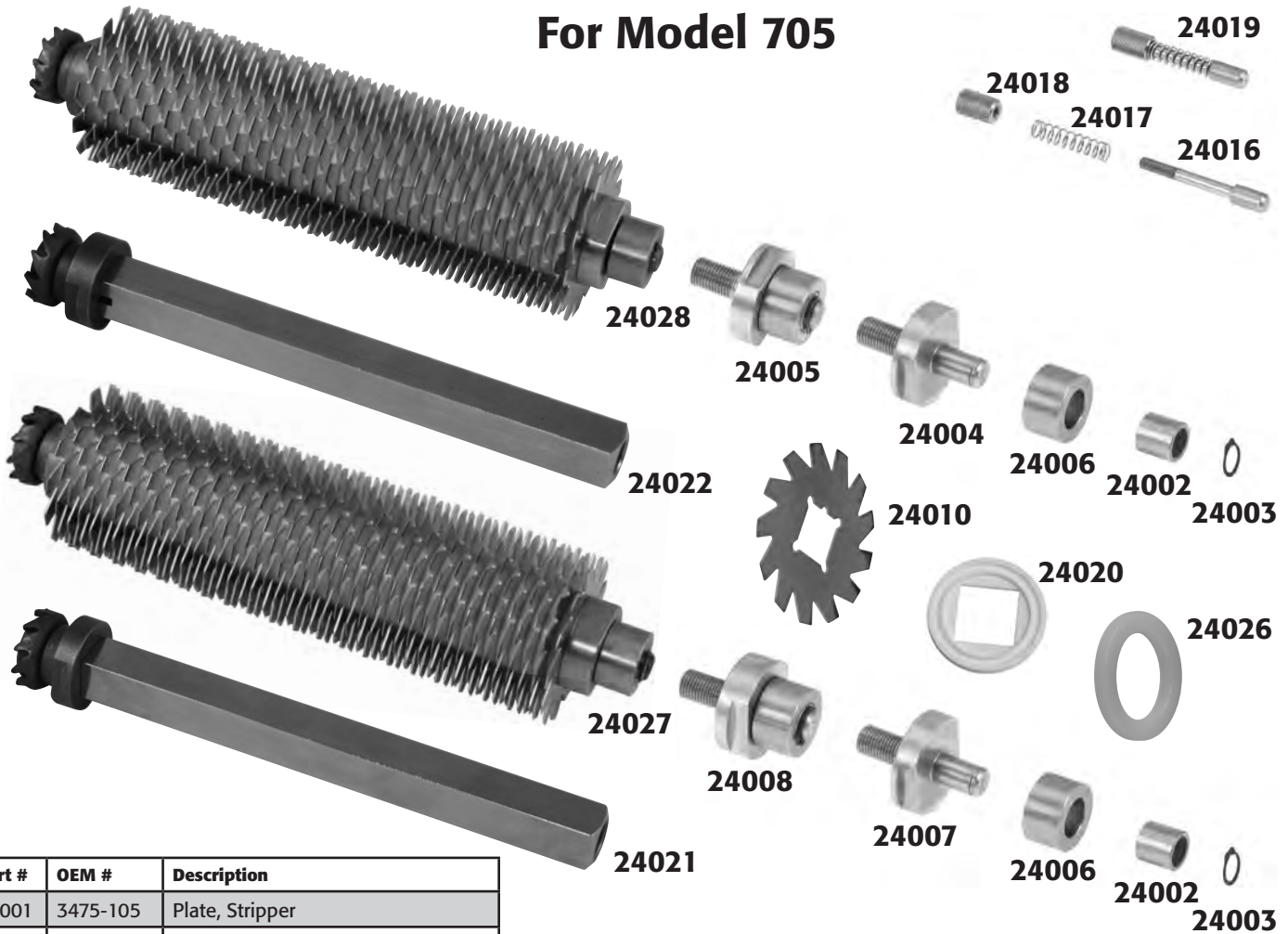
No Returns on Electrical Items

Part #	OEM #	Description
24009	2675-15	Switch, Rocker
24011	3675-50	Boot, Switch
24012	2675-2	Cap, Capacitor
24013	2675-36	Capacitor, Motor Start
24014	4375-26	Magnet Assembly, Switch
24015	417-20	Micro Switch

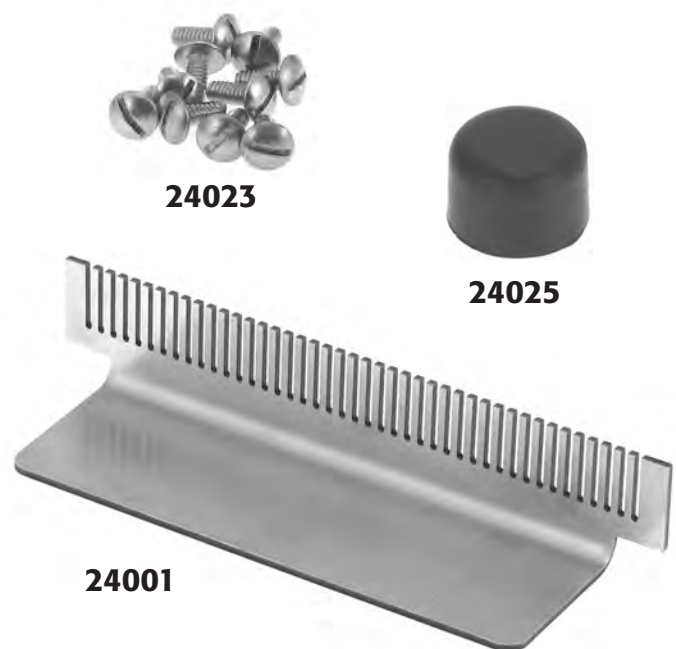


24009

For Model 705

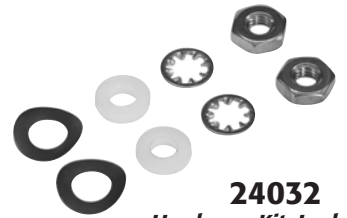


Part #	OEM #	Description
24001	3475-105	Plate, Stripper
24002	N/A	Bushing, Blade Shaft Bearing
24003	2175-78	Ring, Retaining
24004	4375-30	Screw, Rear Blade Shaft Bearing
24005	4675-106	Bearing, Assembly, Rear Blade Shaft
24006	4575-60	Collar, Blade Shaft Bearing
24007	4375-29	Screw, Front Blade Shaft Bearing
24008	4675-104	Bearing Assembly, Front Blade Shaft
24010	3275-14	Blade, Tenderizer
24016	3375-156	Pin, Cover
24017	3275-12	Spring
24018	3375-157	Knob, Pivot
24019	N/A	Pivot, Assembly
24020	3375-165	Spacer, Blade Square Hole
24021	4575-59	Shaft Assy, Blade Front, White
24022	4575-61	Shaft Assy, Blade Rear, Red
24023	2175-3442	Screw, Stainless Truss, 10 Pkg
24025	3675-51	Shoe
24026	3375-164	Spacer, Round Hole
24027	4675-107	Shaft Assy, Blade Complete, Front
24028	4675-105	Shaft Assy, Blade Complete, Rear

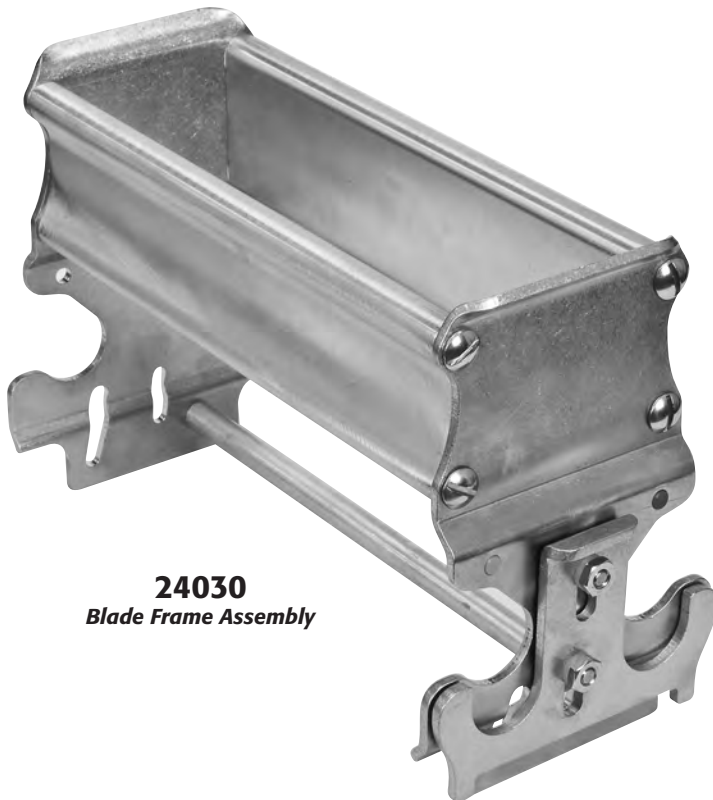




24033
*Frame & Blade Assembly,
Complete*



24032
Hardware Kit, Lock Plate



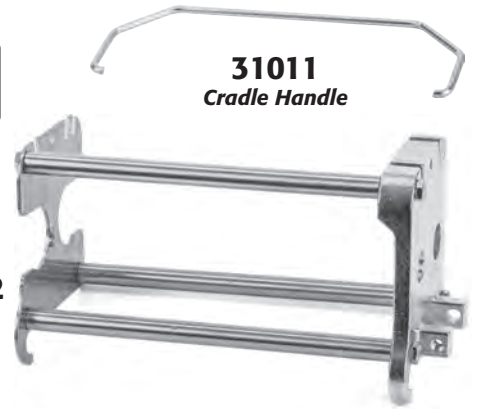
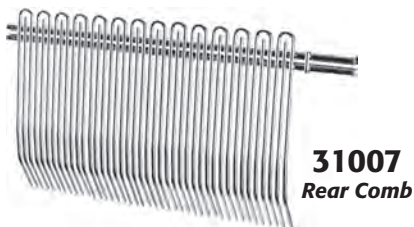
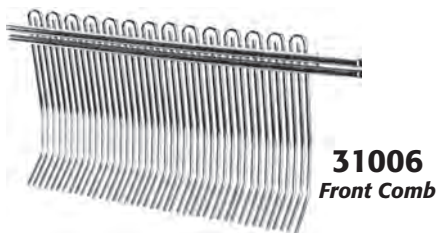
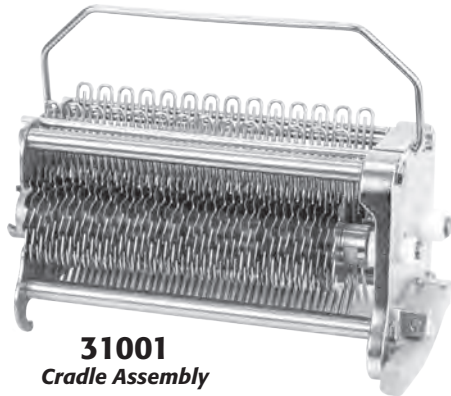
24030
Blade Frame Assembly



24031
Lock Plate

Part #	OEM #	Description
24030	4375-21	Blade Frame Assembly
24031	3475-103	Lock Plate
24032	N/A	Hardware Kit, Lock Plate
24033	4675-103	Frame & Blade Assembly, Complete

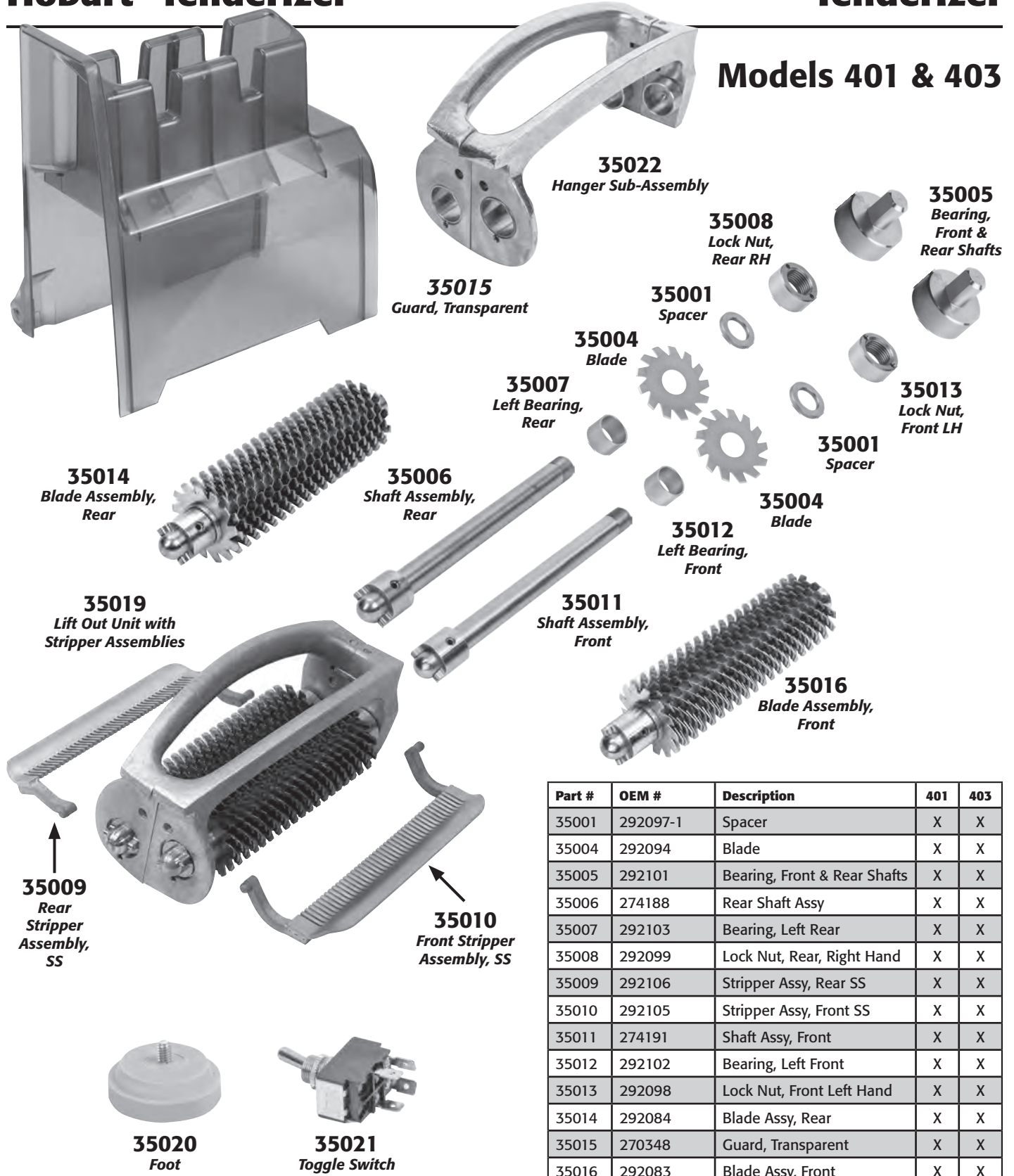
Biro® Pro 9



Part #	OEM #	Description
31001	TA3130	Cradle Assembly
31002	TA3130	Cradle
31006	T3116	Front Comb
31007	T3117	Rear Comb
31008	TA3131	Front Shaft Assembly
31009	TA312	Rear Shaft Assembly
31010	T3247-1	Cradle Locking Lever
31011	T3247-5	Cradle Handle
31012	N/A	Label
31013	T3031-12	Cap Spacer
31014	T3082	End Nut L.H.
31015	T3181-1	Bearng, Front Shaft
31017	T3131	Front Shaft L.H.
31018	T3132	Rear Shaft R.H.
31019	T3083	Nut R.H.
31020	T3181-2	Bearing, Rear Shaft
31021	T3031	Spacer
31022	T3036	Blade
31023	T3157	Shaft, Lock Lever
31024	T307-2	Double V Motor Belt
31025	N/A	Hardware Kit
31026	T3075	Retaining Ring
31027	T3105	Waterproof Cap
31028	3186-4A	Toggle w/Boot
31029	T3200M	Reed Switch
31030	T3185M-120	Relay

- No Returns on Electrical Items -

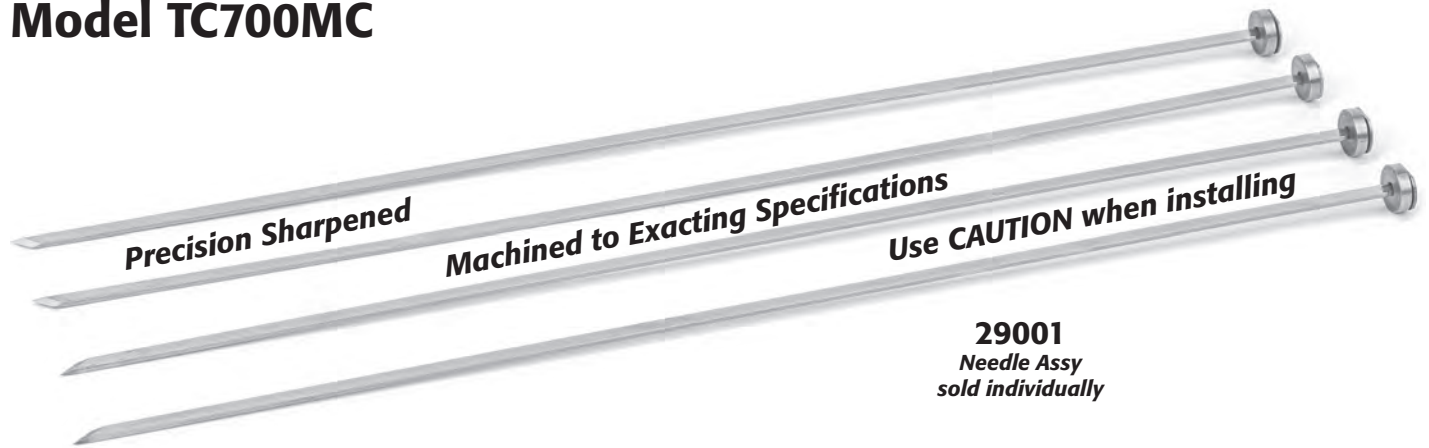
Models 401 & 403



**No Returns on
Electrical Items**

Part #	OEM #	Description	401	403
35001	292097-1	Spacer	X	X
35004	292094	Blade	X	X
35005	292101	Bearing, Front & Rear Shafts	X	X
35006	274188	Rear Shaft Assy	X	X
35007	292103	Bearing, Left Rear	X	X
35008	292099	Lock Nut, Rear, Right Hand	X	X
35009	292106	Stripper Assy, Rear SS	X	X
35010	292105	Stripper Assy, Front SS	X	X
35011	274191	Shaft Assy, Front	X	X
35012	292102	Bearing, Left Front	X	X
35013	292098	Lock Nut, Front Left Hand	X	X
35014	292084	Blade Assy, Rear	X	X
35015	270348	Guard, Transparent	X	X
35016	292083	Blade Assy, Front	X	X
35019	295730	Lift Out Unit	X	X
35020	083681	Foot	X	
35021	87711-148-1	Toggle Switch, On/Off	X	X
35022	D290025	Hanger Sub-Assembly	X	X

Model TC700MC



29001
Needle Assy
sold individually



29002
Spring, Main Return



29003
Toggle Ring



29004
Cap Nut



29005
Rod End

Part #	OEM #	Description
29001	1019876	Needle Assy, sold individually
29002	1219300	Spring, Main Return
29003	1106650	Toggle Ring
29004	1105370	Cap Nut
29005	13070013	Rod End

Sealing Covers



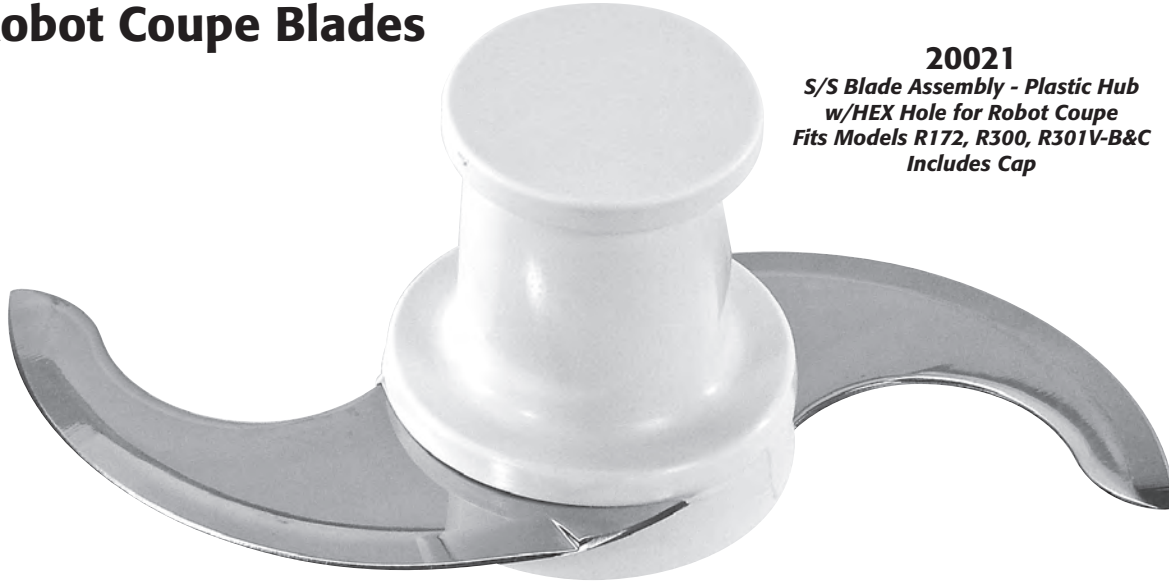
26001
Sealing Cover

Part #	OEM #	Description	Manufacturer	Fits Models
26001	5901-011	Sealing Cover 6" x 15"	Heat Seal®	600A, 625A, 800A, 825A, 875A
26002	5901-001	Sealing Cover 8" x 15"	Heat Seal®	104A
26003	334588	Sealing Cover 6" x 14"	Hobart®	HWS-3
26004	A80280000A	Sealing Cover 6" x 15"	Toledo®	T662
26005	183358907	Sealing Cover 6¾" x 14"	Exact®	TW110
26006	5901-009	Sealing Cover 6" x 12"	Heat Seal®	Floor and Table models
26007	5901-014	Sealing Cover 6" x 9"	Heat Seal®	625A Mini
		Custom Sizes Available		Call with your size

Miscellaneous

Robot Coupe® Blades

Robot Coupe Blades

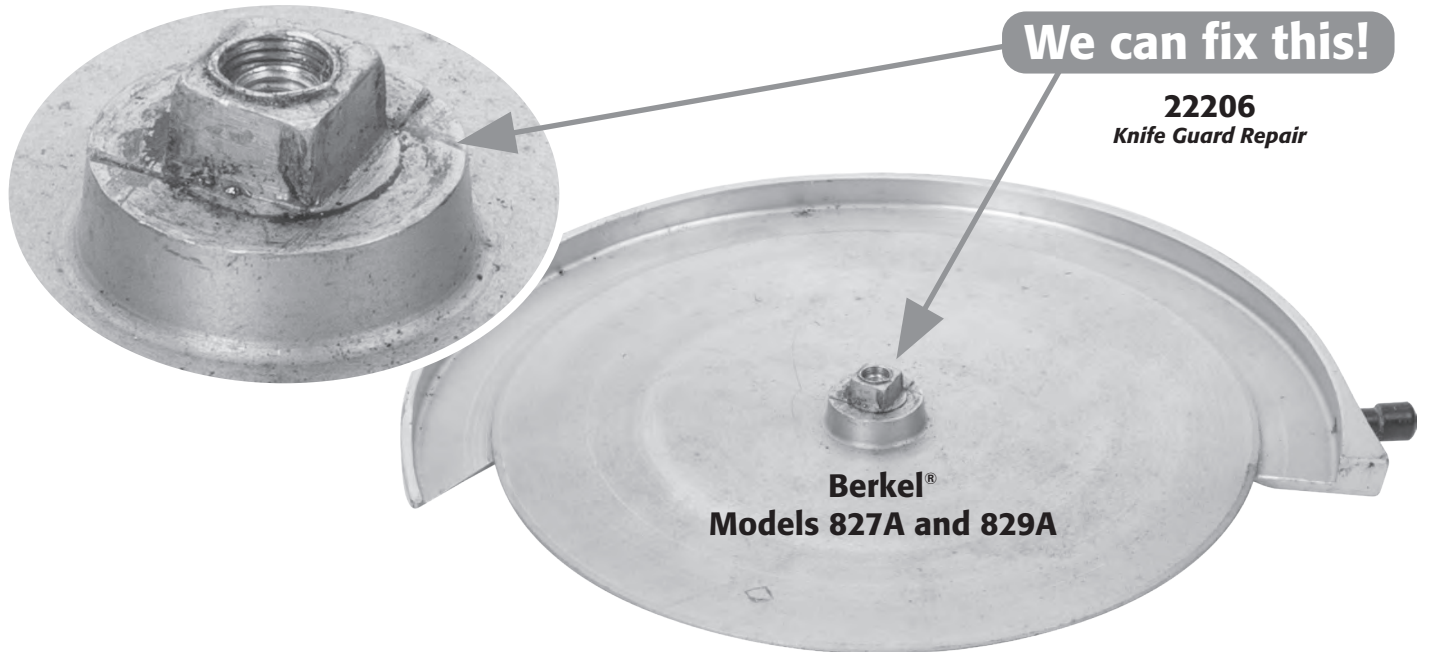


20021
*S/S Blade Assembly - Plastic Hub
w/HEX Hole for Robot Coupe
Fits Models R172, R300, R301V-B&C
Includes Cap*



20022
*S/S Blade Assembly - Plastic Hub
w/ROUND Hole for Robot Coupe
Fits Models R-2, R-2N, R-2U
Includes Cap*

Part #	OEM #	Description	Models
20021	R 3029	Blade Assembly, SS, Hex Hole	Models R172, R300, R301V-B&C
20022	R 203	Blade Assembly, SS, Round Hole	Models R-2, R-2N, R-2U



Be Safe
Use Safety Covers!

20011, 20012, 20013



Part #	Description
20002	Food Machine Lubricant, 16 oz. Spray Bottle
20003	Food Machine Lubricant, One Gallon
20011	Safety Cover, 10" Knives
20012	Safety Cover, 12 1/2" Knives
20013	Safety Cover, 11" - 12" Knives
22206	Knife Guard Repair