

TABLE OF CONTENTS

Marek Equipment Trading

NEW PARTS SECTIONA thru L

LUBRICANTS, BRUSHES, SAFETY COVERS

Lubricants - Cleaning Brushes.....	1
Safety Covers, Knives and Tenderizers.....	2
Cleaning Brushes and Citrus Cleaner.....	3

NEW

HEAT SEALING

Heat Sealing	C
--------------------	---

NEW

CHOPPERS - GRINDERS

Hobart Food Chopper	4
Grinder Plates	6
Grinder Knives	8
Casters and Wheels.....	9
Biro - Rings, Studs & Worms (Feed Screws)	10
Butcher Boy - Rings, Studs & Worms (Feed Screws)	14
Hobart - Rings, Studs & Worms (Feed Screws)	18
Hollymatic - Rings & Studs	23
Torrey - Rings, Studs & Worms (Feed Screws).....	24
Grinder Wrenches.....	26
Grinder Stud Sizing Template	27
Grinder Feed Screw, Fiber Washers.....	30
Stompers	31
Bell Shaped Stuffing Tubes.....	32

TENDERIZERS

Berkel.....	34
Biro.....	37
Hobart	42

PATTY MACHINE

Hollymatic.....	46
-----------------	----

MIXERS - BREAD SLICERS

Hobart Mixer Bowls	50
Hobart Mixer Accessories.....	51
Hobart Agitator Shaft & Components	52
Hobart Worm Wheel Shaft & Components	53
Hobart Transmission Shaft & Components.....	54
Hobart Planetary Shaft & Components.....	55
Hobart Electrical Components	56
Berkel / Oliver Bread Slicers / Bagel - Bun Slicers.....	57

NEW

SAWS

Band Saw Blades.....	60
Slicing Blades and Handsaw Blades	62
Biro.....	64
Butcher Boy	86
Hobart	104
Hollymatic.....	136
Torrey.....	140
Toledo.....	144
Wells - U.S. Berkel - Jim Vaughan - Sanitary	145

NEW

SLICERS

Slicer Knives and Stone Sets Reference Page.....	146
Berkel	148
Bizerba.....	160
Globe	166
Hobart	183

NEW

INDEX

Catalog Index.....	189
--------------------	-----

ALL NEW PRODUCT LINES

On Pages B and C



fits most GRASELLI FOOD SLICERS



NEW
SB3006
Mini-B Edge Blade
5/8 x .020 x 17 5/8"

NEW
SB3000
Knife Edge Blade
5/8 x .020 x 17 5/8"

NEW
SB30002
Toothe Edge 4 TPI
5/8 x .022 x 17 5/8"

NEW
SB3004
Scalloped Edge Blade
5/8 x .020 x 17 5/8"



HT123
Safety Glove
Cloth w/ Steel Wire

This glove is ambidextrous...
fits right or left hand

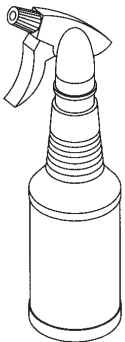
NEW
SB3007
Mini-B Edge Blade
5/8 x .022 x 17 5/8"

NEW
SB3001
Knife Edge Blade
5/8 x .022 x 17 5/8"

NEW
SB3003
Toothe Edge 6 TPI
5/8 x .022 x 17 5/8"

NEW
SB3005
Scalloped Edge Blade
5/8 x .022 x 17 5/8"

Handsaw Blades



NEW
CC16
Citrus Cleaner
16oz
w/ Spray Head

NEW
CC32
Citrus Cleaner
32 oz
w/ Spray Head

NEW
HB12-20
Hand Saw Blade
20" Long x 1/2" wide .025" thick
10 Teeth /Inch

NEW
HB12-25
Hand Saw Blade
25" Long x 1/2" wide .025" thick
10 Teeth /Inch

NEW
HB12-27
Hand Saw Blade
27" Long x 1/2" wide .025" thick
10 Teeth /Inch

NEW
HB58-20
Hand Saw Blade
20" Long x 5/8" wide .025" thick
10 Teeth /Inch

NEW
HB58-25
Hand Saw Blade
25" Long x 5/8" wide .025" thick
10 Teeth /Inch

NEW
HB58-27
Hand Saw Blade
27" Long x 5/8" wide .025" thick
10 Teeth /Inch

ALL NEW PRODUCT LINES

On Pages B and C

HEAT SEALING MACHINES



HSW700
Heat Plate
Cover 6 x 15



HSW701
Heat Plate
Cover 8 x 15



HSW704
Power Cord
6' length



HSW703
Power Switch
Toggle 600
and 625A



HSW715
Bearing Block,
Left Side

NEW

HSW717
Bearing Block,
Right Side



HSW716
Bearing Block,
Bottom, for left
or right side



HSW719
Screw and Nut Set
for Bearing Block,
Left and Right

NEW



HSW711
Lock pin for
Core Cap 1/4"

NEW



HSW712
O-Ring for Lock
Pin, Core End Cap
104A, 107A, 625A,
825A and 875A

NEW



HSW713
Core Cap Adapter,
Axle Mount, Round
End

NEW



HSW714
Core Cap,
Axle Mount,
Star End

NEW



HSW718
Film Core Axle
Rod, 5/8" x 22"

NEW

OLIVER BUN and BAGEL SLICERS



OBS810
Knife Screw
and washer

NEW



p/n BAGEL KNIFE
Bagel Slicer Blade,
10 5/8" dia, 5/8" dia
with 3 mounting
holes



OBS805
Switch, Power Rocker

NEW



OBS806
Pilot Light, 115 vac

NEW



OBS801
Knob, Chute Assembly

NEW



OBS802
Screw Clamp, Male

NEW



OBS809
Foot, Grey
Rubber

NEW



OBS807
Power Cord, 6'

NEW

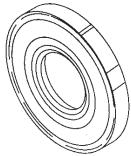
ALL NEW PRODUCTS

On Pages D thru N

GRINDERS



BUTCHER BOY



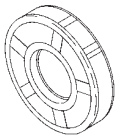
NEW
BB550
Seal- Small Drive Shaft
fits AU52
90406



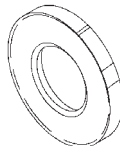
NEW
BB553
Seal- Gear Box
fits 100/42
90404



NEW
BB556
Drive-In Leveling Leg



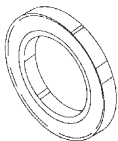
NEW
BB551
Seal- Gear Box
90408



NEW
BB554
Seal- Gear Box
fits... 100/42, 100/52
90405



NEW
BB541
Rubber Foot
(2 required per leg)

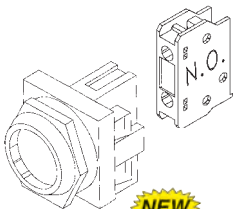


NEW
BB552
Seal- Feed Screw
Chuck
fits TCA 12, 22



NEW
BB556
Seal- Drive Shaft
fits.. 100/42, 100/52

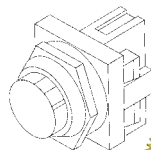
BIRO



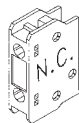
NEW
B646
Start Switch fits... 346, 922,
6642, AFMG-24, AFMG-52
Includes NO switch B648



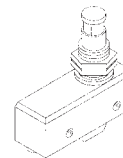
NEW
B648
Contact Block
NO Normally Open
fits...EMG-32



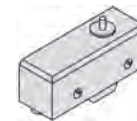
NEW
B647
Stop Switch fits... 346, 922,
6642, AFMG-24, AFMG-52
Includes NC switch B649



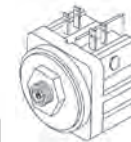
NEW
B649
Contact Block
NO Normally Closed
fits...EMG-32



NEW
B645
Cover Safety Switch
fits...EMG-32



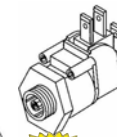
NEW
B623
Switch
fits AFMG-24, 48
EMG-32



NEW
B653
Air Switch
fits...EMG-32



NEW
B651
Air Bulb/ Bellows
fits...AFMG-24, EMG-32, MINI-32



NEW
B652
Air Switch
fits...AFMG-24, MINI-32

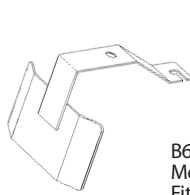
ALL NEW PRODUCTS

GRINDERS

On Pages D thru N



BIRO



NEW
B639
Meat Deflector
Fits... AFMG-52



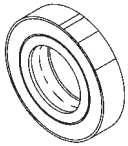
NEW
B641
Meat Deflector
fits...6642



NEW
B640
Meat Deflector
fits...342, 548, 552, 7548,
7552

SEALS

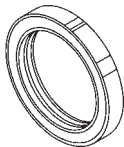
Transmission



NEW
B664
Seal
fits... AFMG-24
Transmission

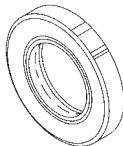


NEW
B665
Seal
fits... AFMG-24



NEW
B666
Seal
Transmission
fits... AFMG-24

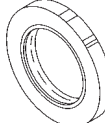
Front/Rear/Drive Shaft



NEW
B662
Seal
Front Shaft
fits..EMG32,



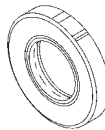
NEW
B663
Seal
Rear Shaft
fits..AFMG24



NEW
B667
Seal Shaft,

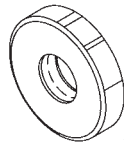


NEW
B668 Seal
Upper Shaft Seal



NEW
B670
Seal -Drive Shaft
fits... 342,542,548,
552,7542,7548,
7552,1056,1556

Motor



NEW
B669
Seal Motor,
fits...6642

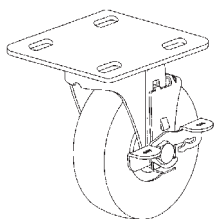


NEW
B671
Seal
Tub
fits..AFMG24

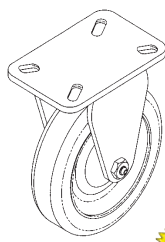
Auger Drive



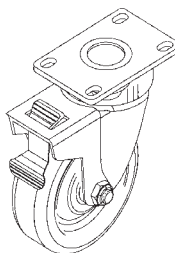
NEW
B661
Seal - Auger Drive
AFMG-24, 48, 52
EMG 32, MINI 32
fits... 342,542,548,552,7542,
7548,7552,1056,1556



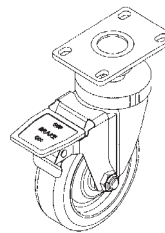
NEW
B642
Swivel Wheel
5"
fits AFMG-48II & 52



NEW
B643
Rigid Wheel
3 1/2"
fits AFMG-24



NEW
B644
Swivel Wheel
3 1/2"
fits AFMG-24



NEW
B660
Swivel Wheel -
Locking Swivel and
Wheel BRAKE, 5" Wheel
fits EMG-32, MINI-32, AFMG-48 & 52
(New Style)

ALL NEW PRODUCTS

On Pages D thru N



GRINDERS

SEALS

Drive and Sprocket

-  **NEW**
H590 Seal
- Square Drive Shaft
fits...4246, 4346
-  **NEW**
H591 Seal
- Pinion Shaft
fits...4246
-  **NEW**
H592 Seal
- Mixing Arm Shaft
fits...4346, 4352
-  **NEW**
H595 Seal
- Drive Shaft
fits...4352
-  **NEW**
H598 Seal
- Sprocket Shaft
fits...4352

Drive Seals

-  **NEW**
H553 Seal
- Square Drive
fits...4822
-  **NEW**
H571 Seal
- Square Drive
fits...4632, 4732, 4732A
-  **NEW**
H588 Seal - Square Drive
fits 4046
-  **NEW**
H597 Seal
- Square Drive
fits...4056E, 4156

Conveyer and Mixing Arm


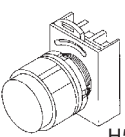
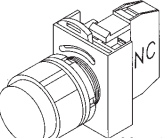
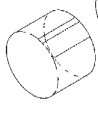
-  **NEW**
H589 Seal
- Outer Conveyer
fits...4246, 4346
-  **NEW**
H593 Seal
- Outer Mixing Arm
fits...4346, 4352
-  **NEW**
H596 Seal
- Mixing Arm/
Conveyer Arm
fits...1532, 2032

Worm Seal

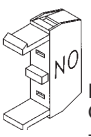
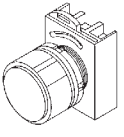
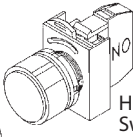

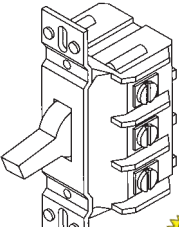
-  **NEW**
H594 Seal - Worm
fits...4352

SWITCHES

fits Models:
MG1532 & M2032

-  **NEW**
H581 Contact Block-Stop
- Normally Closed
-  **NEW**
H580 Switch Operator - Start
- Normally Closed
-  **NEW**
H579 Switch Assy - Stop
N/C Normally Closed
-  **NEW**
H582 Cap - Stop Switch
Extends 1"

fits Models:
4346 & 4352

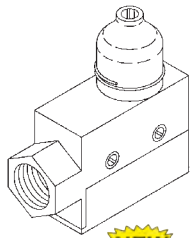
-  **NEW**
H577 Contact Block-Start
- Normally Open
-  **NEW**
H576 Switch Operator - Start
- Normally Open
-  **NEW**
H575 Switch Assy - Start
- Normally Open
-  **NEW**
H578 Cap - Start Switch
Extends 1/2"
-  **NEW**
H585 Switch

ALL NEW PRODUCTS

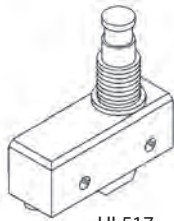
On Pages D thru N

GRINDERS

HOLLYMATIC

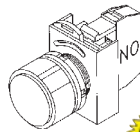


NEW
HL516
Interlock Switch
W/ Housing
fits...180 & 180A



NEW
HL517
Interlock Switch
fits...180 & 180A

TOR REY



NEW
TR531
Switch Assy
N/O Normally Open



NEW
TR535
Rubber Pad (Foot)
Fits... M12, M22, M32



NEW
TR532
Switch Cap
N/O Normally Open

fits Model:
M-32

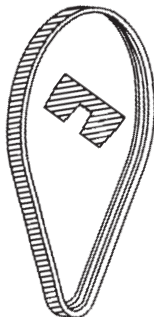


NEW
TR533
Switch Assy
N/C Normally Closed

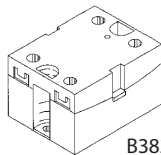


NEW
TR534
Switch Cap
N/C Normally Closed

BIRO TENDERIZER



NEW
B343
Motor Belt
L=18 3/16"
W= 3/8"
2 Ribs
fits...Pro 9



NEW
B382
Relay
fits...Pro 9

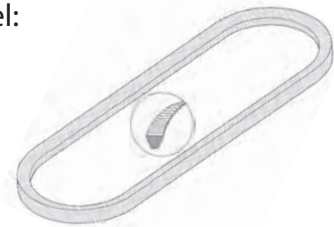
HOBART MIXER

HOBART

fits Model:
M802,
V1401

NEW
HM2072
V-Belt
L=32"

NEW
HM2073
V-Belt
L=35"



ALL NEW PRODUCTS

On Pages D thru N



BUTCHER BOY SAW



NEW

LEFT HANDED WHEELS 20" UPPER WHEELS
BB206-LH
BB207A-LH Assembled
BB208A-LH Assembled with Hanger

LEFT HANDED WHEELS 20" LOWER WHEELS
BB209-LH

NEW

LEFT HANDED WHEELS 16" UPPER WHEELS
BB194-LH
BB196A-LH Assembled
BB210A-LH Assembled with Hanger

LEFT HANDED WHEELS 16" LOWER WHEELS
BB195-LH



NEW

BB204
Tension Spindle Guide
fits...SA20

NEW

BB201 Thrust Washer
fits...SA20



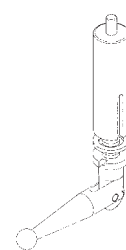
NEW

BB199
Bushings
Thickness Gauge Arm



NEW

BB200
Bushings
Thickness Gauge Arm



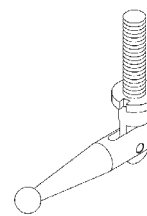
NEW

BB193A
Handle & Spindle
with Sleeve
fits...SA20



NEW

BB202
Motor Mount
Rubber Bushing
fits...B12, B14, B16,
1435, 1640



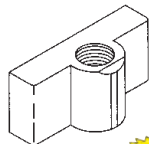
NEW

BB192A
Handle & Spindle
fits...SA20



NEW

BB197
Seal - Upper Shaft
fits SA30, SA36



NEW

BB205
Gauge Block
fits...1435S, 1640S
Cobra 14/16



NEW

BB041-66
Blade Scraper Holder
Assembly - No Scrapers
fits...B12, B14, B16, 1435,
1640, cOBRA 14 & 16, SA20



NEW

BB211
Upper Main Bearing -
Premium with 2 Neo-
prene Seals, High Temp
High Use



NEW

BB203
Upper Wheel Hanger
Includes Tension pin and Set
Screw. No Scraper Arm
fits...B16, 1640, Cobra 14 & 16



NEW

BB198
Retaining Ring -
Lower Shaft Assembly
fits SA30, SA36



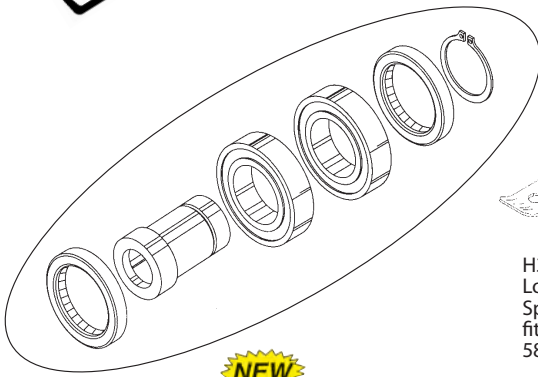
NEW

BB212
Lower Main Bearing -
Premium with 2 Neo-
prene Seals, High Temp
High Use

ALL NEW PRODUCTS

On Pages D thru N

HOBART SAW



NEW
H316
Upper Shaft Components
-Kit-
All Parts Shown Above
fits...6614 & 6801

NEW
H313
Guide Bar
Support
fits...5700,
5701, 5800,



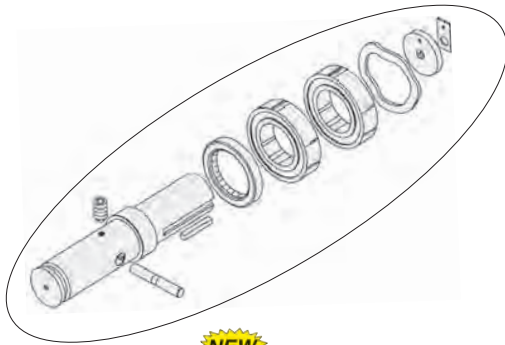
NEW
H314
Lower Door
Spring Clip
fits...5700, 5701,
5801, 6614, 6801



NEW
H319
Screw 1/4-20 x 1
Blade Scraper Assembly
Support



NEW
H182
Support - Nylon, for Blade
Scraper Assembly



NEW
H312
Lower Shaft Components -Kit-
All Parts Shown Above
fits...5700, 5701, 5801, 6614, 6801

BIRO SAW



NEW
B240
Cleaning Unit and Finger
Lift Fastener Knob
5/16-18, Black ABS
Fits: 1433, 1433FH and 55

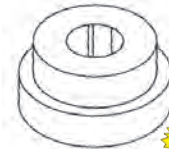


NEW
B224
Cleaning Unit Stud
fits...34, 44, 4436

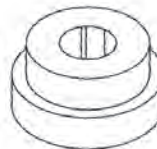


B223
Knob for Saw Guide Bar
Lock
Fits: 1433FH and 3334FH

TOR REY SAW



NEW
TR59
Rubber Pad (Black Rubber)
for ST-295



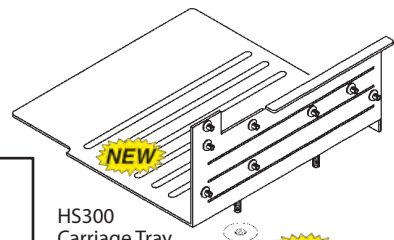
NEW
TR60
Rubber Pad (Black Rubber)
ST-200

ALL NEW PRODUCTS

On Pages D thru N



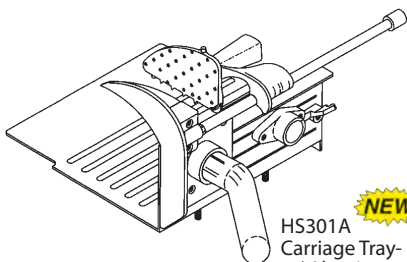
HOBART SLICER fits...2612, 2712, 2812, 2912



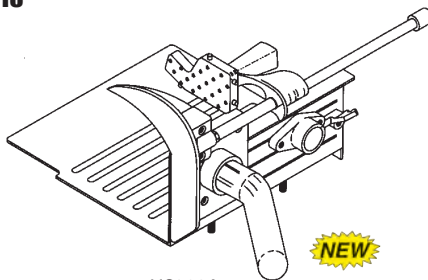
HS300 Carriage Tray

HS305 Carriage Tray Nut

ALL NEW PARTS IN PRODUCTION, WILL BE AVAILABLE AFTER JANUARY 2018



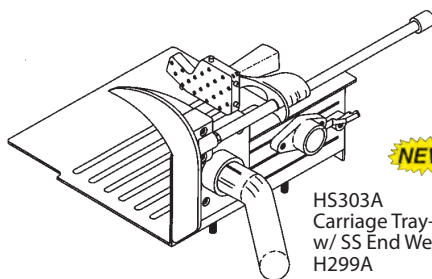
HS301A Carriage Tray- Assy w/ Aluminum End Weight H295A



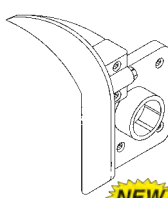
HS302A Carriage Tray- Assy w/ Cast Iron End Weight H297A



HS292 Product Deflector



HS303A Carriage Tray- Assy w/ SS End Weight H299A

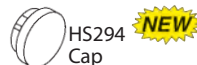


HS293 Handle and Slide Rod Support



HS290 Carriage Handle

HS291 Meat Grip Hanger



HS294 Cap

Aluminum*

HS295A Meat Grip Assy

HS294 Meat Grip Sub-Assy

Cast Iron*

HS297A Meat Grip Assy

HS296 Meat Grip Sub-Assy (Complete with clips & plastic buttons)

HS78 Clip

HS68 Plastic Button (Stops end weight from rubbing on carriage)

Stainless Steel*

- Will not corrode
- Will last longer

HS299A Meat Grip Assy

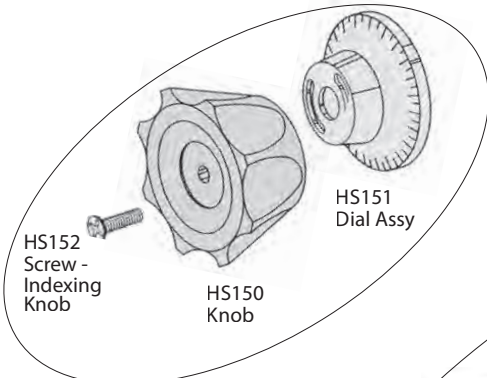
HS298 Meat Grip Sub-Assy (Complete with clips & plastic buttons)

ALL NEW PRODUCTS

On Pages D thru N



HOBART SLICER

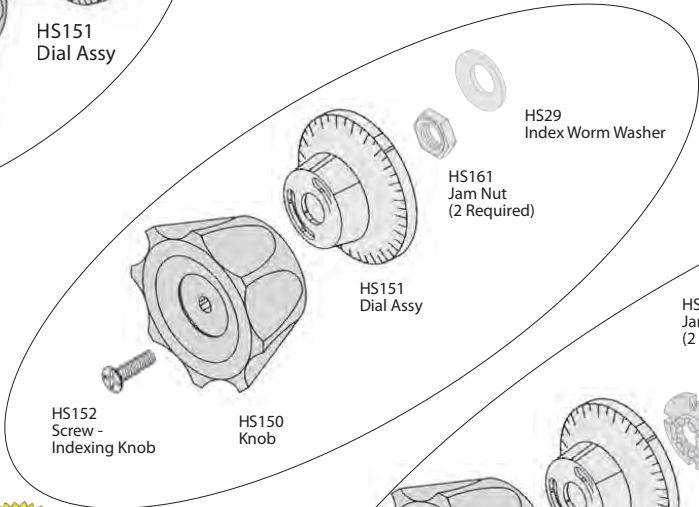


HS152
Screw -
Indexing
Knob

HS150
Knob

HS151
Dial Assy

NEW
HS275A
Indexing Knob, Dial and
Screw Kit
All Circled Items
fits...512, 1612, 1612E, 1712,
1712E, 1812, 1912



HS152
Screw -
Indexing Knob

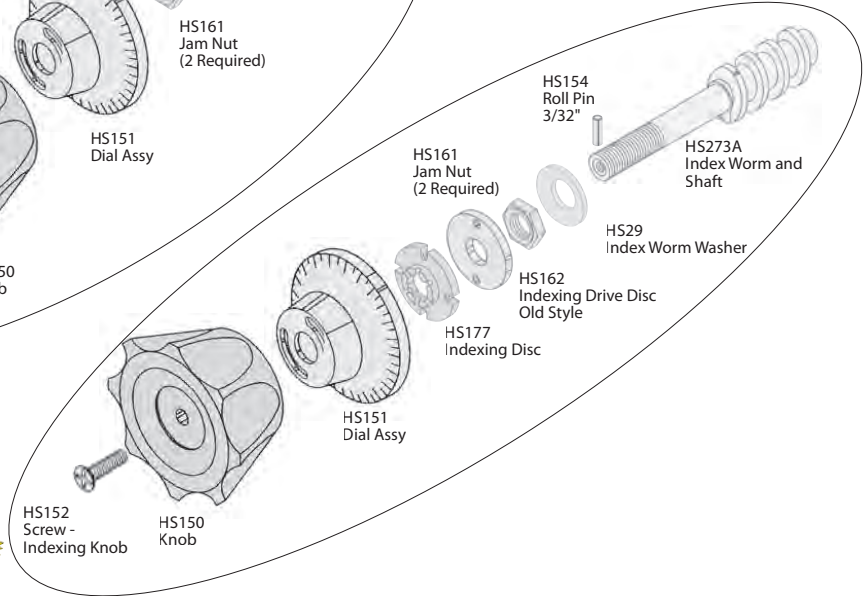
HS150
Knob

HS151
Dial Assy

HS29
Index Worm Washer

HS161
Jam Nut
(2 Required)

NEW
HS276A
Indexing Knob and Dial
Install Kit
All Circled Items
fits...512, 1612, 1612E,
1712, 1712E, 1812, 1912



HS152
Screw -
Indexing Knob

HS150
Knob

HS161
Jam Nut
(2 Required)

HS154
Roll Pin
3/32"

HS273A
Index Worm and
Shaft

HS29
Index Worm Washer

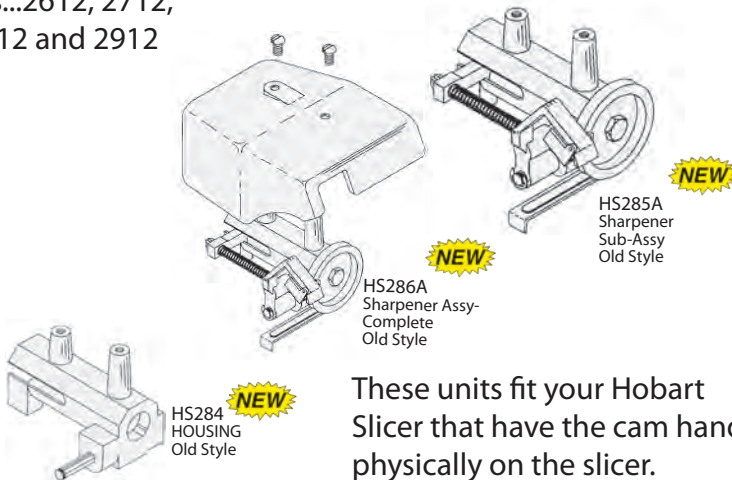
HS162
Indexing Drive Disc
Old Style

HS177
Indexing Disc

HS151
Dial Assy

NEW
HS274A
Indexing Knob and Dial
Shaft Kit
All Circled Items
fits...512, 1612, 1612E, 1712,
1712E, 1812, 1912

fits...2612, 2712,
2812 and 2912



HS284
HOUSING
Old Style

HS286A
Sharpener Assy-
Complete
Old Style

HS285A
Sharpener
Sub-Assy
Old Style

These units fit your Hobart
Slicer that have the cam handle
physically on the slicer.



NEW
HS263
Shaft for the Cam
and Indexing Worm
fits...2612, 2712,
2812, 2912

NEW
HS273A
Index Worm and
Shaft
fits...2612, 2712,
2812, 2912



NEW
HS219
Chute Hanger
Screw 8-32 x
5/8 Oval Head
(2 required)
Fits our HS200
Vegetable

ALL NEW PRODUCTS

On Pages D thru N

HOBART

HOBART SLICER HS6, HS6N, HS7, HS7N, HS8, HS8N, HS9 AND HS9N

Fits...
HS6N
HS7N
HS8N
HS9N
HS3613N
HS3813N



NEW

HSK-N
13" Diameter
Stainless Steel
4 Mounting Screw Holes
OEM 914753-0002

NEW

HS306
Meat Grip with Shaft
Plastic Meat Grip
OEM 00-915257



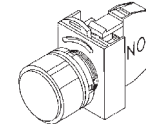
BIZERBA SLICER

BIZERBA



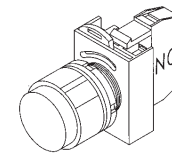
NEW

BZ093
Cap for Sharpener
Assy
fits...SE12, SE12D,
GSP, GSPH, V12, VSRF



NEW

BZ094
Switch Assy - Start
- Normally Open



NEW

BZ095
Switch Assy -Stop
N/C Normally Closed

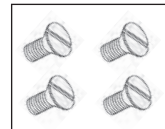
Berkel

BERKEL SLICER



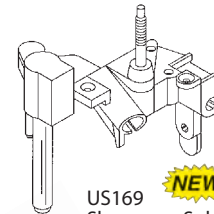
NEW

US180
Foot, Rubber
8-1.25 Thread
fits...823, 825,
827, 827A



NEW

US181
Screw, Knife
Mounting 4/pkg
823, 825, 827, 827A



NEW

US169
Sharpener Sub-
Assembly Body with
Adapter Sleeve



NEW

US168
Indexing Knob
fits...808, 817, 818,
909, 919, 2340, 2350

ALL NEW PRODUCTS

Pages D thru N



NEW

Sticker Danger Replacement Danger Sticker for all Guards. Universal, Can be used for other applications



NEW

Sticker Caution Replacement Caution Sticker for Tenderizer Safety Covers, Universal, Can be used for other applications



NEW

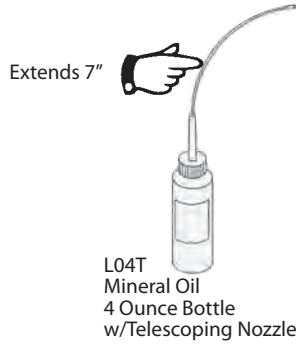
Sticker Warning Replacement Warning Sticker for Tenderizer Safety Covers, Universal, Can be used for other applications

LUBRICANTS

Our mineral oils are the highest food grade available. They meet or exceed requirements set forth by the U.S. FDA. Certified as Kosher with the Union of Jewish Congregations of America



L04 Mineral Oil
4 Ounce Bottle
w/Dropper Top



Extends 7"

L04T Mineral Oil
4 Ounce Bottle
w/Telescoping Nozzle

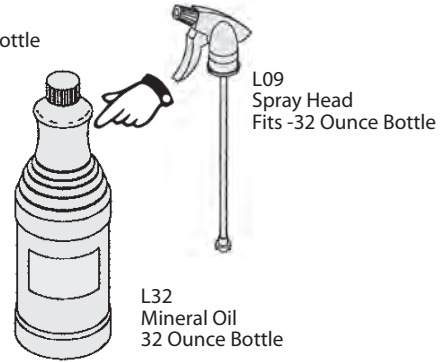


L16 Mineral Oil
16 Ounce Bottle



L01 Spray Head
Fits -16 Ounce Bottle

L02 Dropper Top
Fits -16 Ounce Bottle



L32 Mineral Oil
32 Ounce Bottle

L09 Spray Head
Fits -32 Ounce Bottle

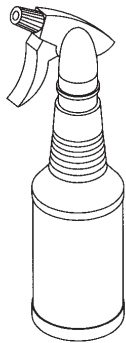


L64 Mineral Oil
64 Ounce Bottle



L128 Mineral Oil
128 Ounce Bottle

NATURAL ORANGE CITRUS CLEANER



Clean your stainless steel tables, counters and your food machines. All Natural Orange Citrus safe for most surfaces.

CC16 Citrus Cleaner
16oz
w/ Spray Head

NEW

CC32 Citrus Cleaner
32 oz
w/ Spray Head

ON ORDERS OF 25 OR MORE OF ANY SIZE BOTTLES WE CAN AT NO CHARGE PRINT OUT LABELS THAT WILL IDENTIFY YOUR COMPANY NAME AND PHONE NUMBER.

NBS P/N	OEM P/N	DESCRIPTION
L01	N/A	Spray Head - Fits 16 oz Bottle
L02	N/A	Dropper Top - Fits 16 oz Bottle
L04	N/A	Mineral Oil - 4 oz bottle (w/dropper top)
L04T	N/A	Mineral Oil - 4 oz bottle (with Telescoping Nozzle)
L09	N/A	Spray Head - Fits 32 oz Bottle
L14	N/A	Grease - 13 oz cartridge
L16	N/A	Mineral Oil - 16 oz bottle
L32	N/A	Mineral Oil - 32 oz bottle
L64	N/A	Mineral Oil - 64 oz bottle (1/2 gallon)
L128	N/A	Mineral Oil - 128 oz bottle (1 gallon)



L14 Grease
Food Grade
13 Ounce Cartridge

LUBRICANTS - BRUSHES

SAFETY PRODUCTS

KNIFE COVERS, STICKERS, GLOVES, MEAT COVERS AND PUSHER PLATES

ALWAYS LOWER BLADE TO FEED OR DISCHARGE



DANGER
EXPOSED BLADE

NEW

Sticker Danger Replacement Danger Sticker for all Guards. Universal, Can be sued for other applications



NEW

Sticker Warning Replacement Warning Sticker for Tenderizer Safety Covers, Universal, Can be used for other applicatons

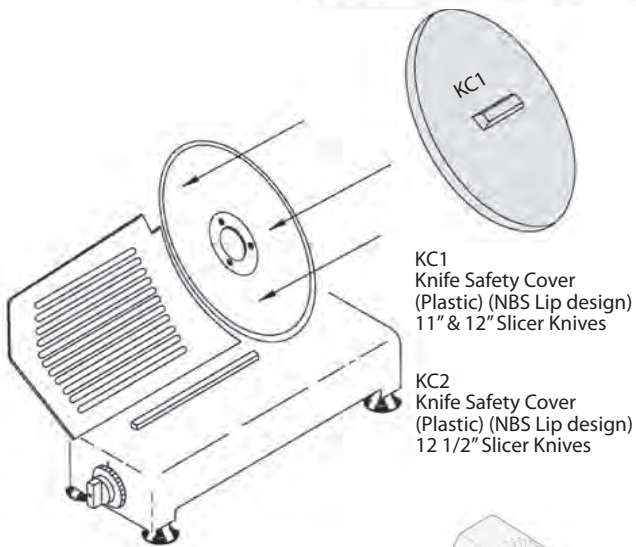


NEW

Sticker Caution Replacement Caution Sticker for Tenderizer Safety Covers, Universal, Can be used for other applications

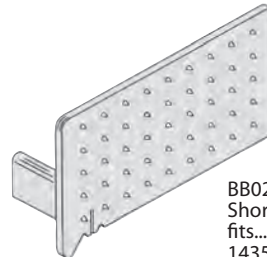


Safety Glove Universal Ambidextrous glove that fits either Left or Right Hands. Great for protection agains serious cuts.



KC1 Knife Safety Cover (Plastic) (NBS Lip design) 11" & 12" Slicer Knives

KC2 Knife Safety Cover (Plastic) (NBS Lip design) 12 1/2" Slicer Knives



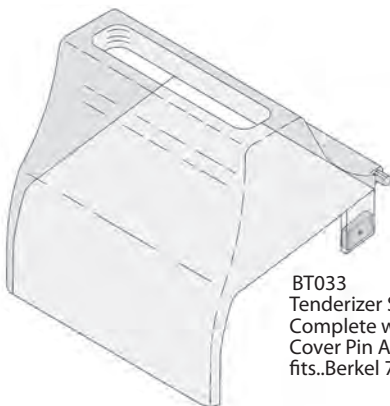
BB022 Short Cut Plate fits...B12, B14, B16, 1435, 1640, Cobra 14 & 16



Hobart Saws H242 Pusher Plate (Fits 5700, 5701, 5801, 6614, 6801)



Biro Saws B217 Pusher Plate fits...11, 22, 33, 34, 44, 55, 1433, 1433fh, 3334, 3334fh, 4436



BT033 Tenderizer Safety Cover Complete with magnet and Cover Pin Assy fits...Berkel 703, 704, 705



B326 Tenderizer Safety Cover Complete with Magnet (This works with both push button and with Magnetic Reed Switch) fits...Biro Pro 9



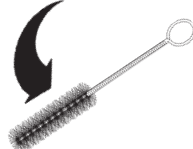
HT120 Safety Cover Fits 403

CLEANING BRUSHES

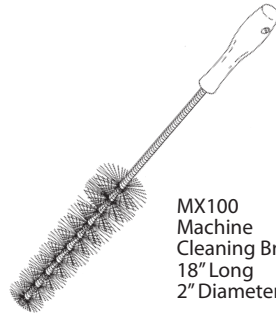
These two brushes are used to clean glassware in the Hobart Fat Tester



MX101
Funnel
Cleaning Brush
6 1/2" Long
1/4" Diameter



MX102
Test tube
Cleaning brush
9" Long
3/4" Diameter



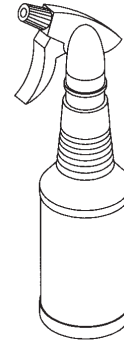
MX100
Machine
Cleaning Brush
18" Long
2" Diameter



USX100
Stone Cleaning Brush
Stainless steel wire brush helps to clean
grease clogged sharpening stones

NBS P/N	OEM P/N	DESCRIPTION
MX100	3675-0227	Machine Cleaning Brush
MX101	76368	Funnel Cleaning Brush
MX102	76367	Test Tube Cleaning Brush
USX100	N/A	Stone Cleaning Brush

NATURAL ORANGE CITRUS CLEANER



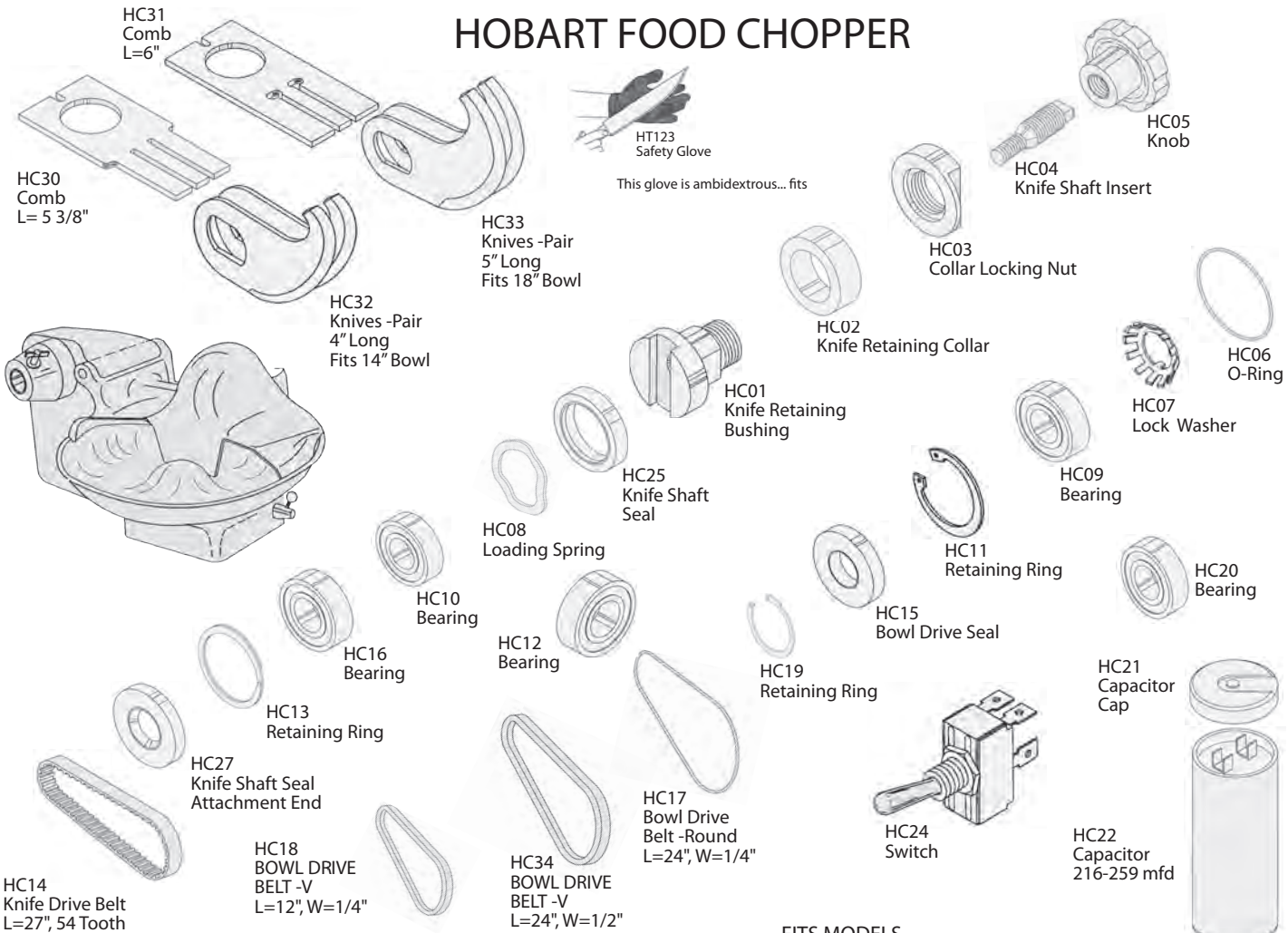
CC16
Citrus Cleaner
16oz
w/ Spray Head

NEW

CC32
Citrus Cleaner
32 oz
w/ Spray Head

Clean your stainless steel tables, counters and your food machines. All Natural Orange Citrus safe for most surfaces.

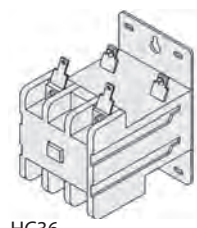
HOBART FOOD CHOPPER



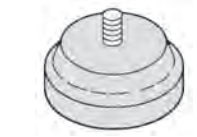
CHOPPER-GRINDERS

FITS MODELS

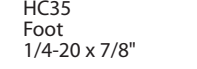
NBS	OEM P/N	DESCRIPTION	8145	8181	8185	8186	84145	84181	84185	84186
HC01	71313	Knife Retaining Bushing	X			X				X
HC02	71312	Knife Retaining Collar	X			X				X
HC03	71311	Collar Locking Nut	X			X				X
HC04	78398	Knife Shaft Insert	X			X				X
HC05	77371	Fluted Knob	X	X		X	X	X		X
HC06	67500-00115	O-Ring				X				X
HC07	WL-012-08	Lock Washer	X				X			
HC08	SL-3-10	Loading Spring	X	X	X		X	X	X	X
HC09	BB-007-39	Bearing				X				X
HC10	BB-15-22	Bearing				X				X
HC12	BB-18-43	Bearing	X							
HC11	RR-004-24	Retaining Ring				X				X
HC13	RR-11-20	Retaining Ring	X							
HC14	77370	Knife Drive Belt				X		X		X
HC15	116658	Bowl Drive Seal	X							
HC16	BB-7-52	Bearing	X							
HC17	291704	Bowl Drive Belt -Round				X				X
HC18	BV-013-21	Bowl Drive Belt -V	X				X			
HC19	RR-007-08	Retaining Ring	X			X				X
HC20	BB-005-30	Bearing	X			X				X
HC21	70486-1	Capacitor Cap	X							
HC22	70487-15	Capacitor	X							
HC23	83681	Foot, 1/4-20 x 7/16"	X	X	X	X			X	X
HC24	87711-148-1	Switch	X				X			
HC25	124669	Knife Shaft Seal	X							
HC26	116634	Knife Drive Belt	X							
HC27	116657	Knife Shaft Seal - Attach End	X							
HC30	116642	Comb -SS, 14" Bowl	X				X			
HC31	123934	Comb -SS, 18" Bowl		X	X	X		X	X	X
HC32	71309/10	Knives - Pair Fits 14" Bowl	X				X			
HC33	77372/73	Knives - Pair Fits 18" Bowl		X	X	X		X	X	X
HC34	BV-12-12	Bowl Drive Belt -V						X		
HC35		Foot, 1/4-20 x 7/8"						X		
HC36	87713-038-2	Contactor 2 Pole, 115V				X				X



HC36 Contactor 2 Pole, 115V



HC23 Foot 1/4-20 x 7/16"



HC35 Foot 1/4-20 x 7/8"

CHOPPER KNIFE & PLATE CROSS REFERENCE

MAKE & MODEL	PLATE SIZE			
	12	22	32	52
AMERICAN				
6212	X			
U.S. BERKEL				
E-012	X			
E-122, E-222		X		
E-2732			X	
BIRO				
8-12	X			
22, 8-22, 9-22		X		
342, 346, 548, 6642			X	
7542, 7548, AFMG-48-2			X	
542, 7500			X	
552, 7552				X
BLAKESLEE				
CC20S	X			
BUFFALO				
41B		X		
51B				X
BUTCHER BOY				
TCA12, TM12	X			
TCA22, TM22		X		
TCA32, TM32 / 232, A42			X	
A52, AU52, B52, B52HB				X
CHOP RITE				
210	X			
310		X		
510			X	
ENTERPRISE				
10, 2112, 2512, 2612, 2712	X			
422, 2522, 2622, 2722		X		
30, 41, 432, 1041, 1541, 2532			X	
341, 2632, 2732, 2742, 2746, 2842			X	
FLEETWOOD				
M12S	X			
M32S			X	
GENERAL SLICING				
D, H, P, MC-50	X			
E, MC-100		X		

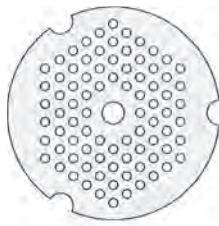
MAKE & MODEL	PLATE SIZE				
	12	22	32	52	56
GLOBE - STIMPSON					
5412, 5511	X				
422S, 2522, 5522, 5622, 5822, 6722		X			
842D, 3028, 5932, 6142, 6832, 6942, 8142			X		
528 Globe			X		
HOBART					
56, 200, 212, 612, 725	X				
4212, 4312, 4412, 4612, 4812, 5113, F230	X				
622, 4222, 4322, 4722, 4822		X			
4046, 4145, 4146, 4241, 4245, 4246			X		
4322, 4332, 4342, 4346, 4531			X		
4532, 4542, 4632, 4732, 5425, MC-46			X		
MG-1532, MG2032			X		
4156					X
HOLLYMATIC					
1000	X				
22S, 1200		X			
2-32S, 32S, 150, 175, 542, 1332, GEMINI			X		
INTEDGE					
C2HA, C2HDS, C3H, CSH	X				
C1H, C1HDS		X			
JUPITER					
B63	X				
KREFFT					
R-70	X				
SANITARY					
100,101, 600, 900, S612	X				
200, 201, 1250, 1275		X			
2800, 3800, 4000			X		
THUNDERBIRD					
TB300E, TX600	X				
TOLEDO					
5120	X				
5220		X			
5223		X	X		
5324					
TORREY / DURAMAX					
M-12	X				
M-22		X			
M-32			X		
UNIVEX					
MG8912	X				

CHOPPER-GRINDERS

GRINDER PLATES

OUR PLATES ARE MADE OF HARDENED TOOL STEEL FOR LONGER LIFE

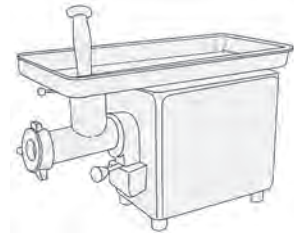
OTHER SIZE KNIVES AND PLATES ARE AVAILABLE UPON REQUEST



Reversible



Kidney Plate



Hub

Hub Style
Non-Reversible

REVERSIBLE

NBS P/N	Plate Size	Diameter	Hole Size
GP12-18	12 (100)	2 3/4	1/8
GP12-316	12 (100)	2 3/4	3/16
GP12-14	12 (100)	2 3/4	1/4
GP12-38	12 (100)	2 3/4	3/8
GP12-12	12 (100)	2 3/4	1/2
GP12-34	12 (100)	2 3/4	3/4
GP12-K	12 (100)	2 3/4	KIDNEY

NBS P/N	Plate Size	Diameter	Hole Size
GP22-18	22 (200)	3 1/4	1/8
GP22-316	22 (200)	3 1/4	3/16
GP22-14	22 (200)	3 1/4	1/4
GP22-38	22 (200)	3 1/4	3/8
GP22-12	22 (200)	3 1/4	1/2
GP22-34	22 (200)	3 1/4	3/4
GP22-1	22 (200)	3 1/4	1
GP22-K	22 (200)	3 1/4	KIDNEY

NBS P/N	Plate Size	Diameter	Hole Size
GP32-18	32 (300)	3 15/16	1/8
GP32-316	32 (300)	3 15/16	3/16
GP32-14	32 (300)	3 15/16	1/4
GP32-38	32 (300)	3 15/16	3/8
GP32-12	32 (300)	3 15/16	1/2
GP32-34	32 (300)	3 15/16	3/4
GP32-1	32 (300)	3 15/16	1
GP32-K	32 (300)	3 15/16	KIDNEY

NBS P/N	Plate Size	Diameter	Hole Size
GP52-18	52 (400)	5 1/8	1/8
GP52-316	52 (400)	5 1/8	3/16
GP52-14	52 (400)	5 1/8	1/4
GP52-38	52 (400)	5 1/8	3/8
GP52-12	52 (400)	5 1/8	1/2
GP52-34	52 (400)	5 1/8	3/4
GP52-1	52 (400)	5 1/8	1
GP52-K	52 (400)	5 1/8	KIDNEY

NBS P/N	Plate Size	Diameter	Hole Size
GP56-18	56 (500)	6	1/8
GP56-12	56 (500)	6	1/2

HUB STYLE -NON-REVERSIBLE

NBS P/N	Plate Size	Diameter	Hole Size
GPH32-18	32 (300)	3 15/16	1/8
GPH32-316	32 (300)	3 15/16	3/16
GPH32-14	32 (300)	3 15/16	1/4
GPH32-38	32 (300)	3 15/16	3/8
GPH32-34	32 (300)	3 15/16	3/4
GPH32-1	32 (300)	3 15/16	1

NBS P/N	Plate Size	Diameter	Hole Size
GPH52-18	52 (400)	5 1/8	1/8
GPH52-316	52 (400)	5 1/8	3/16
GPH52-14	52 (400)	5 1/8	1/4
GPH52-38	52 (400)	5 1/8	3/8

OTHER SIZE KNIVES AND PLATES ARE AVAILABLE UPON REQUEST



Hobart / Biro Styles-
3 Notches
#32 & #52 size have 3 notches.
Smaller sizes typically have 1 notch.



Butcher Boy Style-
One Flat
Some grinder heads have a recess where the plate nests.



Butcher Boy Style-
Two Flats
This plate will work with heads that have 1 or 3 pins.

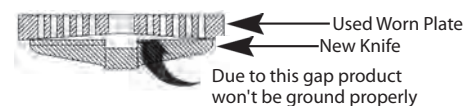
HOLE SIZE RECOMMENDATIONS

HOLE SIZE	TYPICAL PRODUCT
1/8"	Hamburger
3/16"	Regular Sausage
1/4"	Regular Chili
1/2"	Coarse Chili
5/8"	1st Grind
3/4"	1st Grind Chili
Kidney	1st Grind Chunks

CENTER MOUNTING HOLE DIAMETER

#12	3/8"
#22	7/16"
#32	1/2"
#52	3/4"
#56	3/4"

IMPORTANT... USE KNIFE AND PLATE TOGETHER AS A MATCHED SET
Always use the same knife and plate together. If one has gradually worn away from perfectly flat, the other will have worn with it. As a result they may still be used together, however, if one is matched with a different item which is perfectly flat, the set will certainly not turn out a good product. In addition, such practice will probably break the new item.

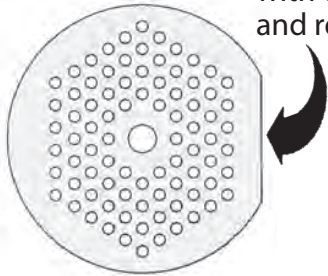


Used Worn Plate
New Knife
Due to this gap product won't be ground properly

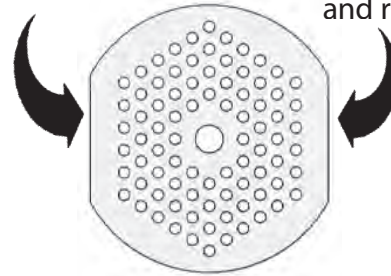
GRINDER PLATES

OUR PLATES ARE MADE OF HARDENED TOOL STEEL FOR LONGER LIFE

with one flat edge and reversible



with 2 flat edges and reversible



1 FLAT EDGE AND REVERSIBLE

NBS P/N	Plate Size	Diameter	Hole Size
GPF12-18	12 (100)	2 3/4	1/8
GPF12-316	12 (100)	2 3/4	3/16
GPF12-14	12 (100)	2 3/4	1/4
GPF12-38	12 (100)	2 3/4	3/8
GPF12-12	12 (100)	2 3/4	1/2
GPF12-34	12 (100)	2 3/4	3/4
GPF12-K	12 (100)	2 3/4	KIDNEY

NBS P/N	Plate Size	Diameter	Hole Size
GPF22-18	22 (200)	3 1/4	1/8
GPF22-316	22 (200)	3 1/4	3/16
GPF22-14	22 (200)	3 1/4	1/4
GPF22-38	22 (200)	3 1/4	3/8
GPF22-12	22 (200)	3 1/4	1/2
GPF22-34	22 (200)	3 1/4	3/4
GPF22-K	22 (200)	3 1/4	KIDNEY

2 FLAT EDGES AND REVERSIBLE

NBS P/N	Plate Size	Diameter	Hole Size
GP12-2F-18	12 (100)	2 3/4	1/8
GP12-2F-316	12 (100)	2 3/4	3/16
GP12-2F-14	12 (100)	2 3/4	1/4
GP12-2F-38	12 (100)	2 3/4	3/8
GP12-2F-12	12 (100)	2 3/4	1/2
GP12-2F-34	12 (100)	2 3/4	3/4
GP12-2F-K	12 (100)	2 3/4	KIDNEY

NBS P/N	Plate Size	Diameter	Hole Size
GP22-2F-18	22 (200)	3 1/4	1/8
GP22-2F-316	22 (200)	3 1/4	3/16
GP22-2F-14	22 (200)	3 1/4	1/4
GP22-2F-38	22 (200)	3 1/4	3/8
GP22-2F-12	22 (200)	3 1/4	1/2
GP22-2F-34	22 (200)	3 1/4	3/4
GP22-2F-K	22 (200)	3 1/4	KIDNEY

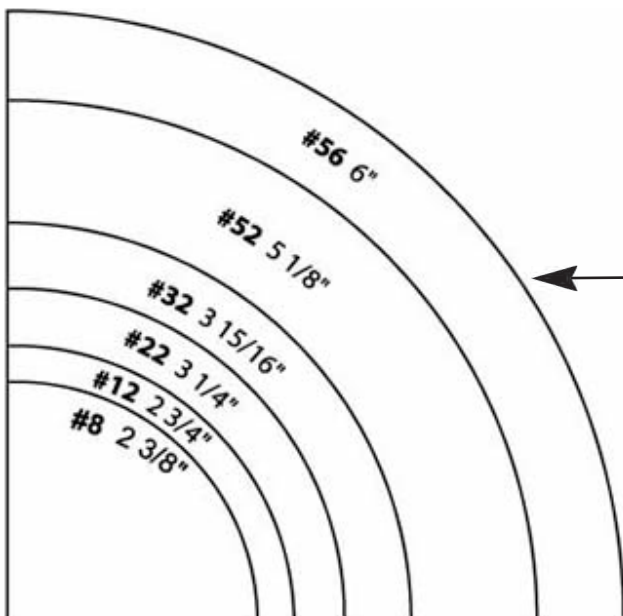
NBS P/N	Plate Size	Diameter	Hole Size
GP32-2F-18	32 (300)	3 15/16	1/8
GP32-2F-316	32 (300)	3 15/16	3/16
GP32-2F-14	32 (300)	3 15/16	1/4
GP32-2F-38	32 (300)	3 15/16	3/8
GP32-2F-12	32 (300)	3 15/16	1/2
GP32-2F-34	32 (300)	3 15/16	3/4
GP32-2F-1	32 (300)	3 15/16	1
GP32-2F-K	32 (300)	3 15/16	KIDNEY

NBS P/N	Plate Size	Diameter	Hole Size
GP52-2F-18	52 (400)	5 1/8	1/8
GP52-2F-316	52 (400)	5 1/8	3/16
GP52-2F-14	52 (400)	5 1/8	1/4
GP52-2F-38	52 (400)	5 1/8	3/8
GP52-2F-12	52 (400)	5 1/8	1/2
GP52-2F-34	52 (400)	5 1/8	3/4
GP52-2F-1	52 (400)	5 1/8	1
GP52-2F-K	52 (400)	5 1/8	KIDNEY

Most Knives will have a square drive, plates are offered in hub or flat reversible. Most plates will have at least one notch if not three on the outside diameter to prevent the plate from spinning. Some older designs have one-sided flat or two-sided flat.

What size is your Plate?

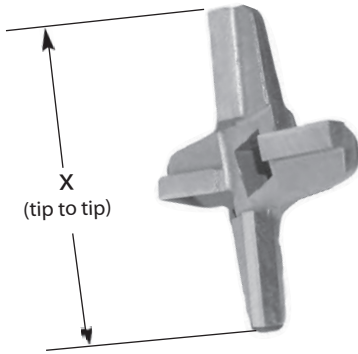
Match your plate with one of the curves to indicate your plate size needed. Double check by measuring the overall diameter from edge to edge across the center of the plate.



GRINDER KNIVES

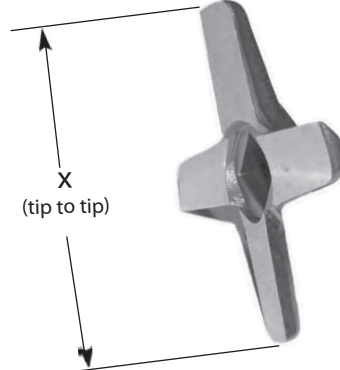
OTHER SIZE KNIVES AND PLATES
ARE AVAILABLE UPON REQUEST

HARDENED STEEL INSERTS
BRAZED TO LENGTHEN LIFE OF KNIFE

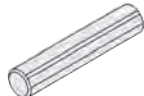


NBS P/N	Fits	X (tip to tip)	Square Hole
GK12-S	12 (100)	2 1/2	.468
GK22-S	22 (200)	2 7/8	.520
GK32-S	32 (300)	3 1/2	.578
GK52-S	52 (400)	4 1/2	.860
GK56-S	56 (500)	5 1/4	.860

THESE KNIVES ARE ONE PIECE
FORGED STEEL AND HARDENED



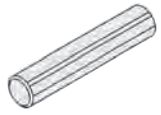
NBS P/N	Fits	X (tip to tip)
GK12-F	12 (100)	2 1/2
GK22-F	22 (200)	2 7/8
GK32-F	32 (300)	3 1/2
GK52-F	52 (400)	4 1/2



Biro Grinder Plate Pins

FITS MODELS

NBS P/N	OEM P/N	DESCRIPTION	FITS PLATE	PIN DIAMETER	342	346	548	722	812	822	922	6642	7552	AFMG48
GR16	CP12	Grinder Pin	12	5/32 (.156)					X					
GR17	CP22	Grinder Pin	22	3/16 (.187)				X		X	X			
GR18	HP48	Grinder Pin	32	7/32 (.218)	X	X	X					X		X
GR19	HP52	Grinder Pin	52	9/32 (.281)									X	



Butcher Boy Grinder Plate Pins

FITS MODELS

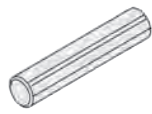
NBS P/N	OEM P/N	DESCRIPTION	FITS PLATE	PIN DIAMETER	TCA12	TCA22	TCA32	100/42	100/52	200/42	200/52	A42	A52	A56
GR14	DP-04-12	Grinder Pin	12, 22	1/4 (.250)	X	X								
GR15	DP-06-24	Grinder Pin	56	3/8 (.375)										X
GR20	DP-05-24	Grinder Pin	52	5/16 (.312)					X		X		X	
GR21	59232	Special Screw	32				X	X		X	X	X		



Hobart Grinder Plate Pins

FITS MODELS

NBS P/N	OEM P/N	DESCRIPTION	FITS PLATE	PIN DIAMETER	1532	4146	4152	4246	4346	4612	4632	4732	4812	4822
GR10	122999	Grinder Pin	12	5/32 (.156)						X			X	
GR11	122983	Grinder Pin	22	3/16 (.187)										X
GR12	105806	Grinder Pin	32	7/32 (.218)	X	X		X	X		X	X		
GR13	102130	Grinder Pin	52	1/4 (.250)			X							



Hollymatic Grinder Plate Pins

FITS MODELS

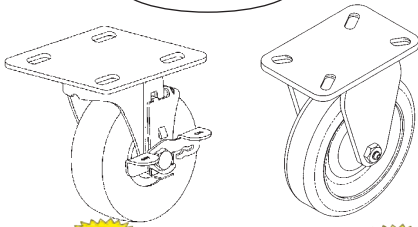
NBS P/N	OEM P/N	DESCRIPTION	FITS PLATE	PIN DIAMETER	100/42	100/52	175/42	175/52	180/42	180/52
GR18	1000204	Grinder Pin	32	7/32 (.218)	X		X		X	
GR20	7651420900	Grinder Pin	52	5/16 (.312)		X		X		X

CHOPPER-GRINDERS

WHEELS AND CASTERS

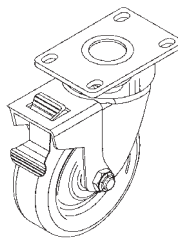
CAN BE USED UNIVERSALLY FOR TABLES, GRINDERS, SAWS, AND MUCH MORE

fits..Biro

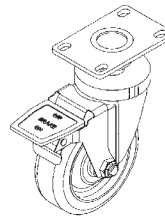


NEW
B642
 Swivel Wheel
 5"
 fits AFMG-48, 52,
 552, 7552, EMG-32
 & MINI-32
 (Old Style)

NEW
B643
 Rigid Wheel
 3 1/2"
 fits AFMG-24, 48,
 & EMG-32

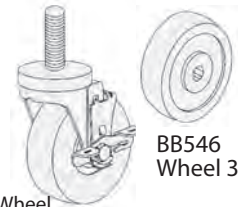


NEW
B644
 Swivel Wheel
 3 1/2"
 fits AFMG-24, 52 &
 EMG-32



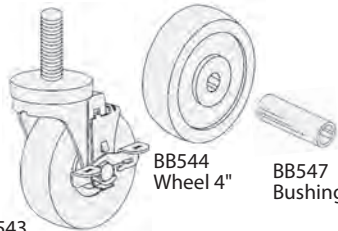
NEW
B660
 Swivel Wheel -
 Locking Swivel and
 Wheel BRAKE, 5" Wheel
 fits EMG-32, MINI-32, AFMG-48 & 52
 (New Style)

fits..Butcher Boy



BB545
 Swivel Wheel
 3" Dia
 1/2", 13 tpi

BB546
 Wheel 3"

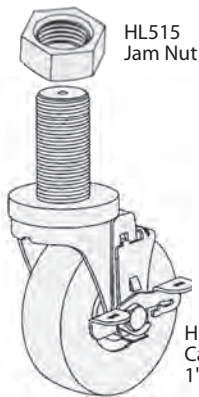


BB543
 Swivel Wheel
 4" Dia
 5/8", 11 tpi

BB544
 Wheel 4"

BB547
 Bushing

fits..HollyMatic



HL515
 Jam Nut

HL514
 Caster 5"
 1", 14tpi

fits..Hobart



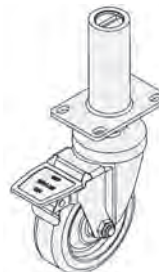
H562
 Swivel Wheel
 with Lock
 4" Dia
 1 1/4", 11 1/2 tpi
 fits...4246



H563
 Fixed Wheel
 4" Dia
 1 1/4", 11 1/2 tpi
 fits...4246



H564
 Swivel Wheel
 with Lock
 4" Dia
 1", 14 tpi
 fits...4352



H565
 Swivel Wheel
 with Lock
 4" Dia
 fits...1532, 2032

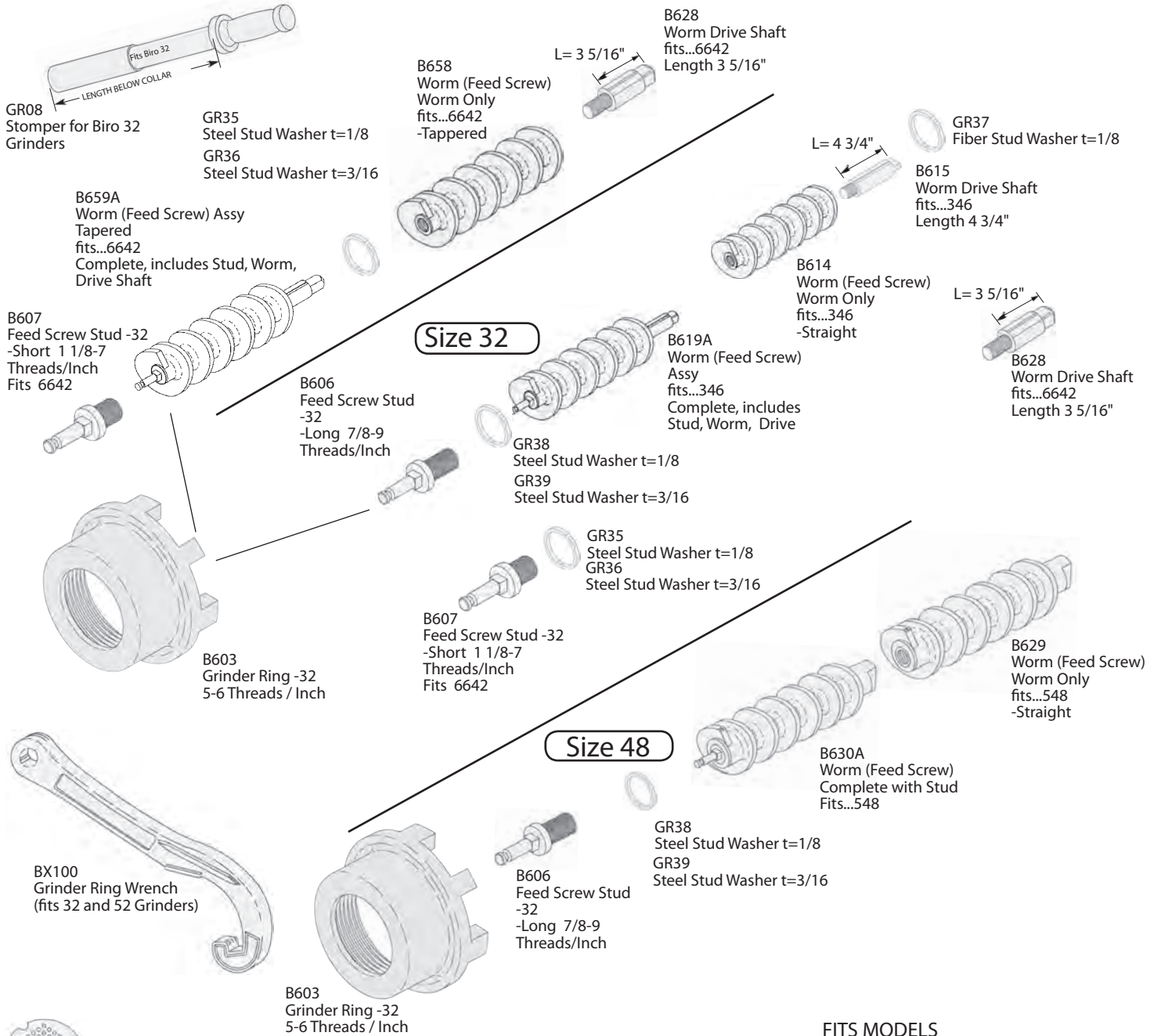


H566
 Fixed Wheel
 5" Dia
 fits...1532, 2032



H569
 Swivel Wheel
 with Lock
 3" Dia
 1.0", 14 tpi
 fits...4346

BIRO



CHOPPER-GRINDERS



Reversible Plate:
See GP32
See Page 6



Steel Edge Knives:
See GK32-S, Page 8

FITS MODELS

NBS P/N	OEM P/N	DESCRIPTION	342	346	548	552	6642	7552	AFMG4811	AFMG52	EMG-32	AFMG-24
GR35	H552A	Steel Stud Washer T=1/8"				X	X	X		X		
GR36	H552A	Steel Stud Washer T= 3/16"				X	X	X		X		
GR37		Fiber Washer, Stud T= 1/8		X								
GR38	H546A	Steel Stud Washer T=1/8"	X	X	X				X		X	
GR39	H546A	Steel Stud Washer T=3/16"	X	X	X				X		X	
B603	HR42/48	Grinder Ring -32	X	X	X		X		X		X	X
B606	HK48	Feed Screw Stud -32	X	X	X				X		X	
B607	42MC-16CZ	Feed Screw Stud -32					X					
B614	HS46	Worm Feed Screw -32		X								
B615	H570	Worm Drive Shaft -32										
B619A	HS46A	Worm Feed Screw -32		X								
B628	42MC-16AZ	Worm Drive Shaft -32					X					
B629	HS48A	Worm Feed Screw - Only			X							
B630A	HS48A	Worm Feed Screw - Assy			X							
B658	B42MC-16BY	Worm Feed Screw - Only					X					
B659A	B42MC-16BY	Worm Feed Screw - Assy					X					
BX100	H340	Grinder Ring Wrench	X	X	X	X	X	X	X	X	X	X

BIRO GRINDERS

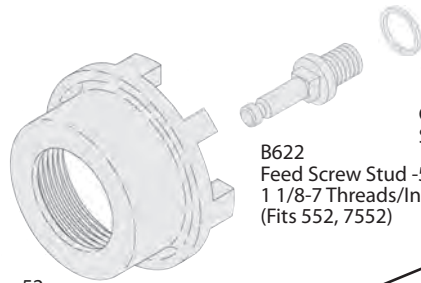
Size 52



Reversible Plate:
See GP52
See Page 6



Steel Edge Knives:
See GK52-S, Page 8



B610
Grinder Ring -52
6 5/16-6 Threads / Inch
(Fits 552, 7552, AFG52)

B622
Feed Screw Stud -52
1 1/8-7 Threads/Inch
(Fits 552, 7552)

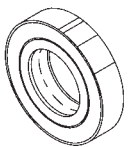
GR35
Steel Stud Washer t=1/8
GR36
Steel Stud Washer t=3/16



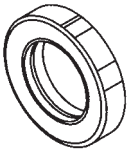
BX100
Grinder Ring Wrench
(fits 32 and 52 Grinders)

SEALS

Transmission



B664
Seal
fits... AFMG-24
Transmission

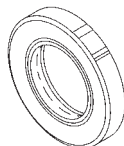


B665
Seal
fits... AFMG-24

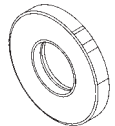


B666
Seal
fits... AFMG-24
Transmission

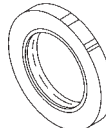
Front/Rear/Drive Shaft



B662
Seal
Front Shaft
fits..EMG32,



B663
Seal
Rear Shaft
fits..AFMG24



B667
Seal Shaft,



B668 Seal
Upper Shaft Seal



B670
Seal - Drive Shaft
fits... 342,542,548,552,
7542,7548,7552,1056,1556

Motor

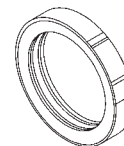


B669
Seal Motor,
fits...6642



B671
Seal
Tub
fits..AFMG24

Auger Drive



B661
Seal - Auger Drive
AFMG-24, 48, 52
EMG 32, MINI 32
fits... 342,542,548,552,7542,
7548,7552,1056,1556

FITS MODELS

NBS P/N	OEM P/N	DESCRIPTION	342	346	542	548	552	6642	7542	7548	7552	AFMG4811	AFMG52	EMG-32	AFMG-24	AFMG-48	AFMG-52	MINI 32	1056	1556
GR35		Steel Stud Washer T=1/8"					X	X			X		X							
GR36		Steel Stud Washer T=3/16"					X	X			X		X							
B610	HR52	Grinder Rink - 52					X				X		X							
B622	HK52/56	Feed Screw Stud -52					X				X		X							
B661	HR42/48	Seal - Auger Drive	X		X	X	X		X	X	X			X	X	X	X	X	X	X
B662		Seal - Front Shaft												X	X					
B663		Seal - Rear Shaft					X	X			X		X							
B664		Seal - Transmission	X	X		X					X		X							
B665		Seal - Transmission	X	X		X					X		X							
B666	HR42/48	Seal - Transmission	X	X		X		X			X		X		X					
B667	HK48	Seal - Shaft, Front and Rear	X	X		X					X		X							
B668	42MC-16CZ	Seal - Upper Shaft Seal					X							X						
B669	HR52	Seal - Motor					X				X		X							
B670	H546	Seal - Drive Shaft	X		X	X	X		X	X	X								X	X
B671	53963	Seal - Mixer Tub, AMG Series													X					
BX100	H340	Grinder Ring Wrench	X	X	X	X	X	X	X	X	X	X	X	X	X					

CHOPPER-GRINDERS

BIRO

NEW
B648
 Contact Block
 NO Normally Open
 fits...EMG-32

NEW
B646
 Start Switch fits... 346, 922,
 6642, AFMG-24, AFMG-52
 Includes NO switch B648

NEW
B649
 Contact Block
 NO Normally Closed
 fits...EMG-32

NEW
B647
 Stop Switch fits... 346, 922,
 6642, AFMG-24, AFMG-52
 Includes NC switch B649

NEW
B645
 Cover Safety Switch
 fits...EMG-32

NEW
B623
 Switch
 fits AFMG-24, 48
 EMG-32

NEW
B639
 Meat Deflector
 Fits... AFMG-52

NEW
B640
 Meat Deflector
 fits... 342, ,346,548,552,7548,7552

NEW
B641
 Meat Deflector
 fits... 6642

B624
 Air Line
 Coupling Body

B625
 Air Line Insert

B627
 Tubing Clamp

B650
 Foot Switch Complete
 w/ 8ft hose and fitting
 fits...AFMG-24, EMG-32, MINI-32

NEW
B653
 Air Switch
 fits...EMG-32

NEW
B652
 Air Switch
 fits...AFMG-24, MINI-32

NEW
B651
 Air Bulb/ Bellows
 fits...AFMG-24, EMG-32, MINI-32

B626
 Air Tubing
 12' Length

NEW
B642
 Swivel Wheel
 5"
 fits AFMG-52
 (Old Style)

NEW
B643
 Rigid Wheel
 3 1/2"
 fits AFMG-24

NEW
B644
 Swivel Wheel
 3 1/2"
 fits AFMG-24

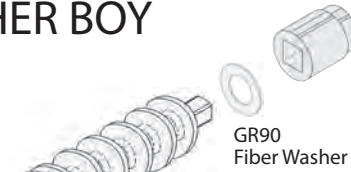
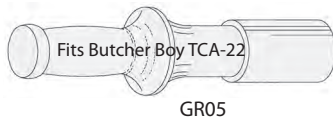
NEW
B660
 Swivel Wheel -
 Locking Swivel and
 Wheel BRAKE, 5" Wheel
 fits EMG-32, MINI-32, AFMG-48 & 52
 (New Style)

FITS MODELS

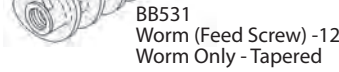
NBS P/N	OEM P/N	DESCRIPTION	342	346	548	552	6642	7552	AFMG48-11	AFMG52	EMG-32	AFMG-24	MINI-32
B623	53693-M	Switch							X		X	X	
B624	181-0816	Air Line Coupling Body								X	X		
B625	181-0817	Air Line Insert								X	X		
B626	563021	Air Line Tubing								X	X		
B627		Tubing Clamp								X			
B639	52392	Meat Deflector		X									
B640	H339-1	Meat Deflector											
B641	342MC-Y90A	Meat Deflector		X									
B642	53952	Swivel Wheel 5"				X		X		X	X		X
B643	56139	Rigid Wheel 3 1/2"							X		X	X	
B644	56113	Swivel Wheel 3 1/2"								X	X		
B645	EMG90015	Cover Safety Switch								X	X		
B646	50768	Start Switch								X	X		
B647	50769	Stop Switch							X	X	X	X	
B648	EMG90194	Contact Block NO				X		X		X			
B649	EMG90180	Contact Block NC				X		X		X			
B650	56303, 5630	Foot Switch Complete							X		X	X	
B651	56300BEL	Air Bulb/ Bellows								X	X		
B652	56300D	Air Switch								X	X		
B653	563021	Air Switch								X	X		
B660	PC175-1	Swivel Wheel -Locking							X	X	X		X

CHOPPER-GRINDERS

BUTCHER BOY



BB508
Feed Screw Chuck
fits -12,22,32



Size 12



GR84
Steel Stud Washer t=1/8
GR85
Steel Stud Washer t=3/16



Size 22



BB501
Grinder Ring -12
3 1/2-8 Threads/Inch



GR38
Steel Stud Washer t=1/8
GR39
Steel Stud Washer t=3/16

Size 32

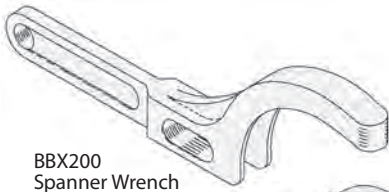


GR92
Fiber Washer

BB502
Grinder Ring -22
4 1/8 -6 Threads/Inch



GR38
Steel Stud Washer t=1/8
GR39
Steel Stud Washer t=3/16



BB503
Grinder Ring -32
5 1/8-6 Threads/Inch



Flat Edge Plate:
See GPF12,
GPF22, GPF32
See Page 7



FITS MODELS

NBS P/N	OEM P/N	DESCRIPTION	A42	TCA12	TCA22	TCA32	100/42	150/42	200/42
BBX200	59188	Spanner Wrench	X				X	X	X
BB501	(7) 12521	Grinder Ring -12		X					
BB502	(7) 22023	Grinder Ring -22			X				
BB503	(7) 32031	Grinder Ring -32				X			
BB504	12520	Feed Screw Stud -12		X					
BB505	22024	Feed Screw Stud -22			X				
BB506	21038	Feed Screw Stud -32				X	X	X	X
BB507	44212A	Grinder Ring -32	X			X		X	
BB508	21006	Feed Screw Chuck		X	X	X			
BB512	22042	Worm / Feed Screw -22			X				
BB519A	22042	Worm / Feed Screw Assy -22			X				
BB531	12542	Worm / Feed Screw Only -12		X					
BB532A	12542	Worm / Feed Screw Assy -12		X					
BB533	32042	Worm / Feed Screw -32				X			
BB534A	32042	Worm / Feed Screw Assy -32				X			
GR38	95112	Steel Stud Washer T=1/8"		X	X	X	X	X	X
GR39	95112	Steel Stud Washer T=3/16"			X	X	X	X	X
GR84	95111	Steel Stud Washer T=3/16"		X					
GR85	95111	Steel Stud Washer T=3/16"		X					
GR90	12524	Fiber Washer -12		X					
GR91	22022	Fiber Washer -22			X				
GR92	32024	Fiber Washer -32				X			

CHOPPER-GRINDERS

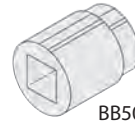
BUTCHER BOY

Available Stompers

GR04



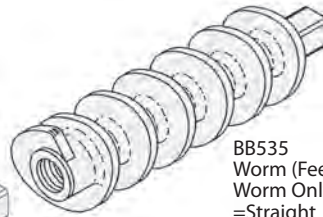
Size 42



BB509 Feed Screw Chuck fits -42, 52



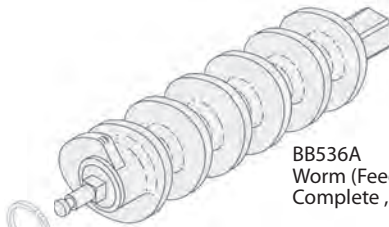
GR93 Fiber Washer -42



BB535 Worm (Feed Screw) -42 Worm Only =Straight



Steel Edge Knives: See GK52-S See Page 8



BB536A Worm (Feed Screw) -42 Complete, includes Stud, Worm



2 Flat Edge Plate: See GP52-2F See Page 7

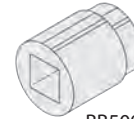


BB506 Feed Screw Stud -32 7/8-9 Threads/Inch

GR38 Steel Stud Washer t=1/8

GR39 Steel Stud Washer t=3/16

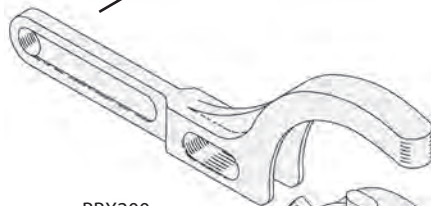
Size 52



BB509 Feed Screw Chuck fits -42, 52



GR94 Fiber Washer -52



BBX200 Spanner Wrench



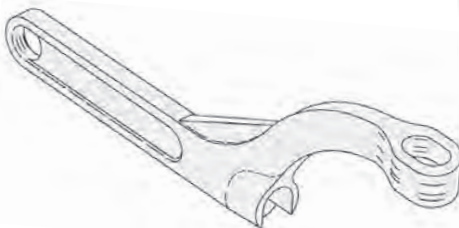
BB510 Feed Screw Stud -52 1-8 Threads/Inch

GR35 Steel Stud Washer t=1/8

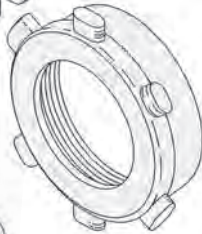
GR36 Steel Stud Washer t=3/16



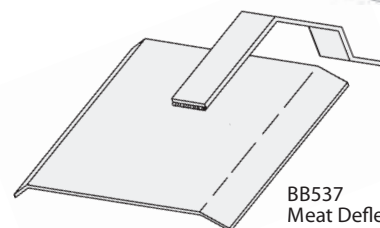
BB540 Meat Deflector Knob



BBX500 Spanner Wrench fits...AFMG-24, AFMG48/52



BB530 Grinder Ring Fits - A52 6 1/4-6 Threads/Inch



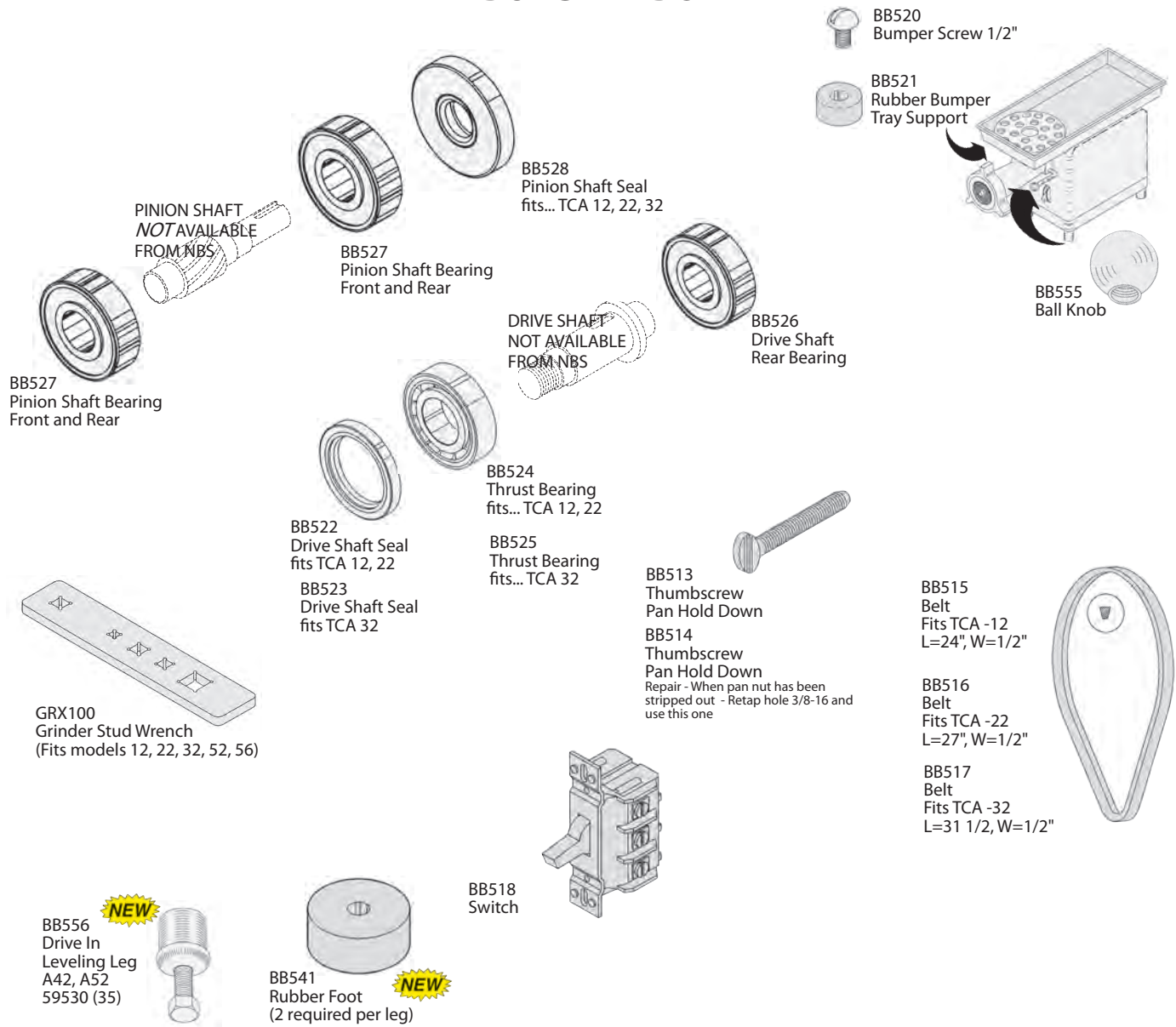
BB537 Meat Deflector

FITS MODELS

NBS P/N	OEM P/N	DESCRIPTION	A42	A52	100/42	100/52	150/42	150/52	200/42	200/52	250/52
BB506	21038	Feed Screw Stud -32	X		X		X		X		
BB509	59060	Feed Screw Chuck	X	X						X	X
BB510	52026	Feed Screw Stud -52		X		X		X		X	X
BB530	53016	Grinder Ring -52		X		X		X		X	
BB535	42542	Worm / Feed Screw -42	X								
BB536A	42542A	Worm / Feed Screw Assy -42	X								
BB537	59208	Meat Deflector	X	X							
BB540	59224	Meat Deflector Knob	X	X							
BBX200	59188	Spanner Wrench	X	X		X		X		X	
BBX500	59233	Spanner Wrench									
GR35	95655	Steel Stud Washer		X		X		X	X		
GR36	95655	Steel Stud Washer		X		X		X		X	X
GR38	95113	Steel Stud Washer	X		X		X		X		
GR39	95113	Steel Stud Washer	X		X		X		X		
GR93	59273	Fiber Washer	X								
GR94	59274	Fiber Washer		X		X				X	X

CHOPPER-GRINDERS

BUTCHER BOY



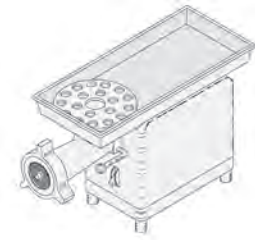
FITS MODELS

NBS P/N	OEM P/N	DESCRIPTION	A42	A52	TCA12	TCA22	TCA32	100/42	100/52	150/42	150/52	200/42	200/52
BB513	(34)125576	Thumbscrew			X	X	X						
BB514	N/A	Thumbscrew			X	X	X						
BB515	90506	Belt			X								
BB516	90508	Belt				X							
BB517	90507	Belt					X						
BB518	(21)93020	Switch			X	X	X						
BB520	N/A	Bumper Screw 1/2"					X	X		X		X	
BB521	32	Rubber Bumper Tray			X	X	X			X			
BB522	90409	Drive Shaft Seal			X	X							
BB523	90413	Drive Shaft Seal					X						
BB524	90308	Thrust Bearing -12, 22			X	X							
BB525	90309	Thrust Bearing -32					X						
BB526	90302	Dr. Shaft Rear Bearing			X	X	X						
BB527	90307	Pinion Shaft Bearing			X	X	X						
BB528	90410	Pinion Shaft Seal				X	X	X					
BB541	21032	Rubber Foot			X	X	X						
BB555	90625	Ball Knob			X	X	X						
BB556	59390	Drive-In Leveling Leg	X	X									
GRX100	N/A	Grinder Stud Wrench	X	X	X	X	X	X	X	X	X	X	X

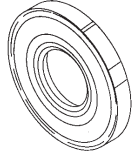
CHOPPER-GRINDERS

BUTCHER BOY

SEALS



BB522
Drive Shaft Seal
fits TCA 12, 22
BB523
Drive Shaft Seal
fits TCA 32

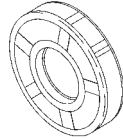


NEW

BB550
Seal- Small Drive Shaft
fits AU52
90406



BB528
Pinion Shaft Seal
fits... TCA 12, 22, 32



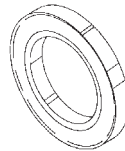
NEW

BB551
Seal- Gear Box
90408



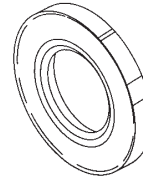
NEW

BB554
Seal- Gear Box
fits... 100/42, 100/52
90405



NEW

BB552
Seal- Feed Screw Chuck
fits TCA 12, 22



NEW

BB556
Seal- Drive Shaft
fits.. 100/42, 100/52



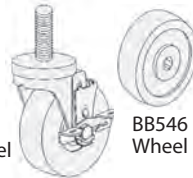
HT123
Safety Glove
Cloth w/ Steel Wire

This glove is ambidextrous...
fits right or left hand



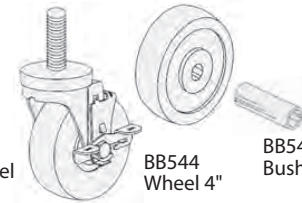
NEW

BB553
Seal- Gear Box
fits 100/42
90404



BB545
Swivel Wheel
3" Dia
1/2", 13 tpi

BB546
Wheel 3"



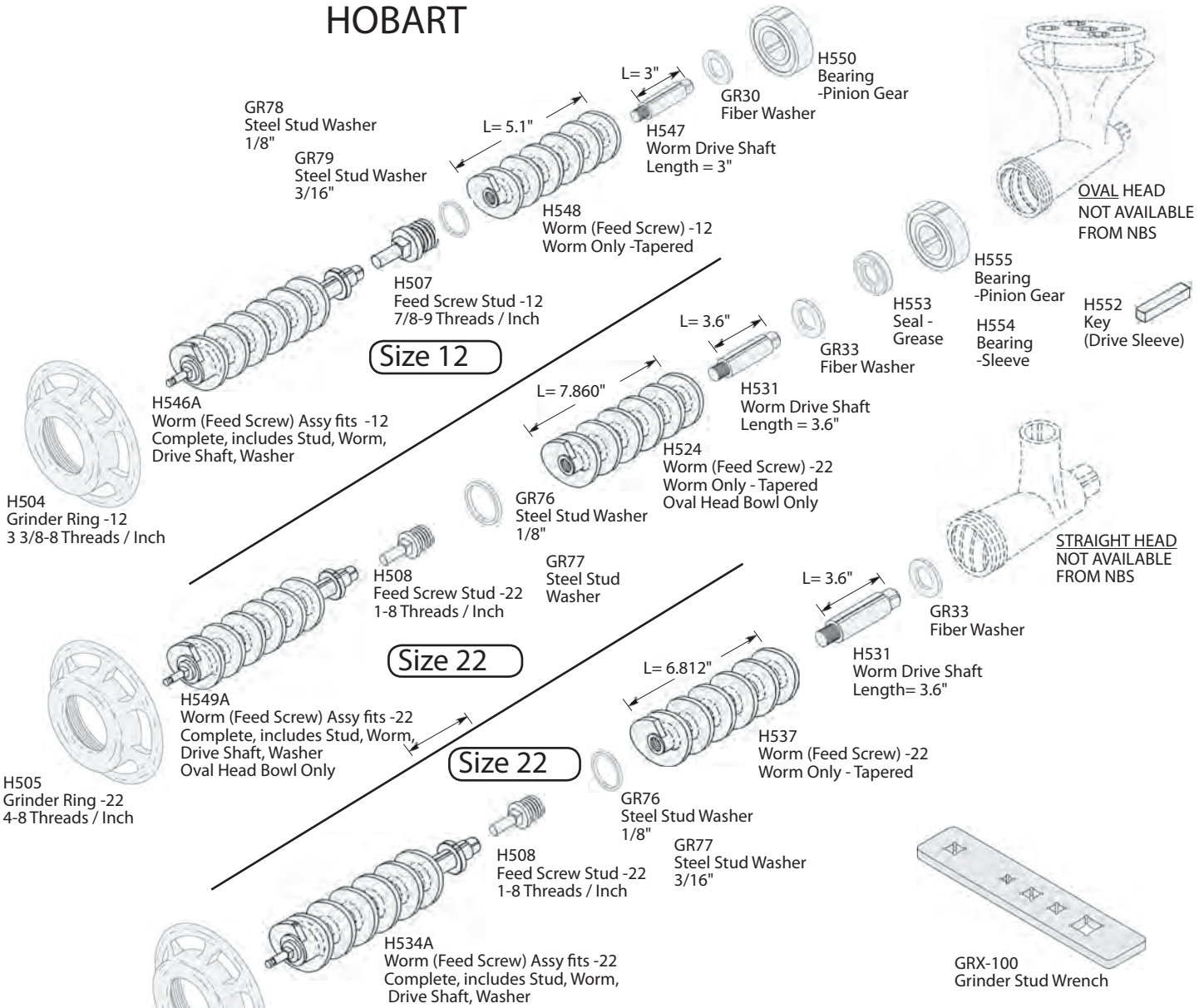
BB543
Swivel Wheel
4" Dia
5/8", 11 tpi

BB544
Wheel 4"

BB547
Bushing

NBS P/N	OEM P/N	DESCRIPTION	A42	A52	TCA12	TCA22	TCA32	100/42	100/52	150/42	150/52	200/42	200/52
BB522		Seal - Drive Shaft			X	X							
BB523		Seal					X						
BB528	90410	Seal -Pinion Shaft			X	X	X						
BB543		Caster-Swivel w/Lock					X	X		X		X	
BB544		Wheel 4", for Caster					X	X		X		X	
BB545		Caster-Swivel w/Lock					X	X		X		X	
BB546		Wheel 3;, for Caster					X	X		X		X	
BB547		Bushing, Caster Wheel					X	X		X		X	
BB550	90406	Seal- Small Drive Shaft		X									
BB551	90408	Seal - Gear Box			X								
BB552		Seal -Feed Screw Chuck			X	X							
BB553	90404	Seal - Gear Box						X					
BB554	90405	Seal - Gear Box						X	X				
BB556		Seal - Drive Shaft						X	X				

HOBART



CHOPPER-GRINDERS

Reversible Plate:
See GP12, GP22
See Page 6



Steel Edge Knives:
See GK12-S, Page 8

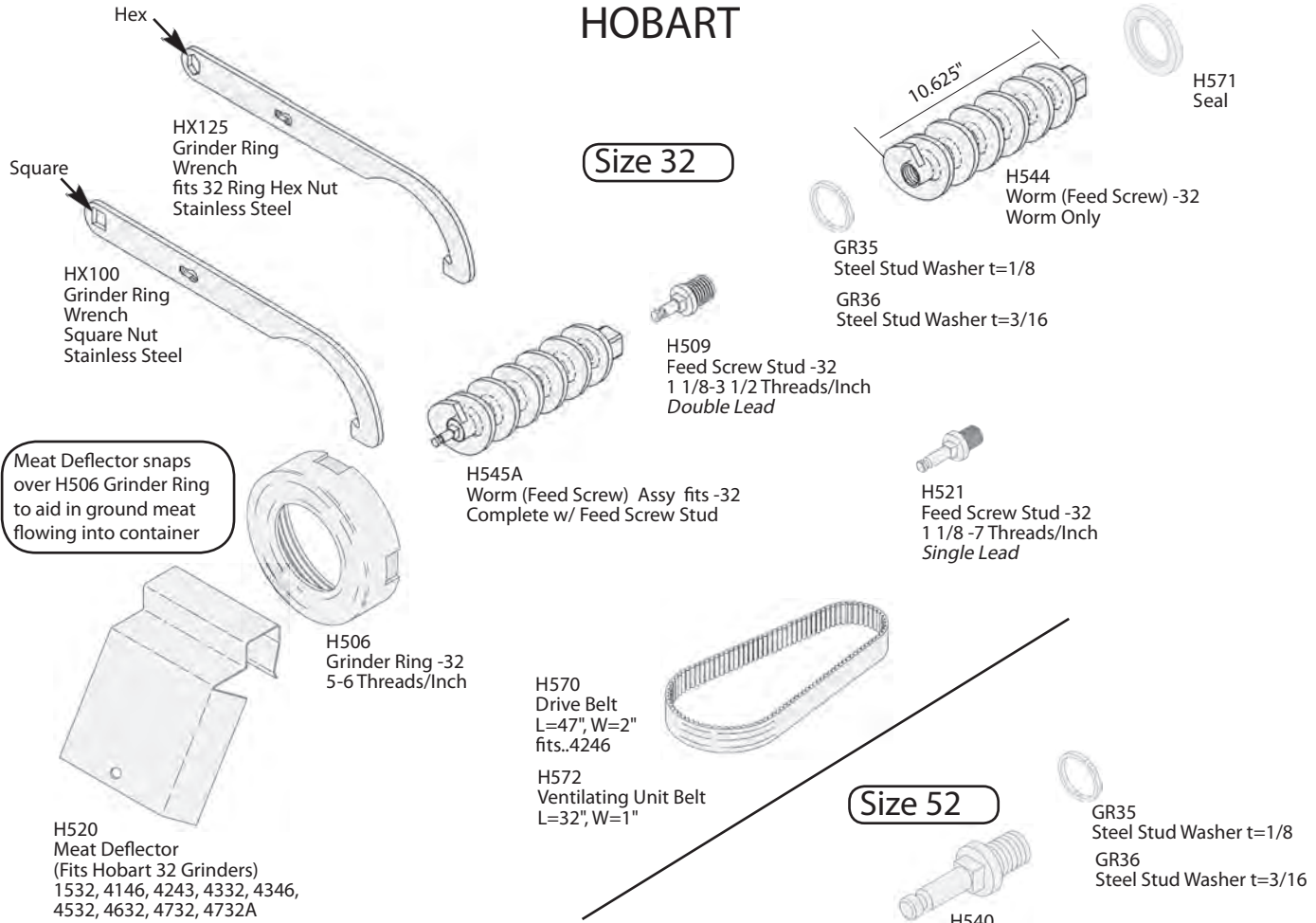
FITS MODELS

NBS P/N	OEM P/N	DESCRIPTION	4612	4632	4732	4812	4822
GR30	V3310	Fiber Washer	X			X	
GR33		Fiber Washer					X
GR76		Steel Stud Washer -1/8"	X			X	X
GR77		Steel Stud Washer 3/16"	X			X	X
GR78		Steel Stud Washer 1/8"	X			X	X
GR79		Steel Stud Washer 1/8"	X			X	X
GRX-100		Grinder Stud Wrench	X	X	X	X	X
H504	77667-2	Grinder Ring -12	X			X	
H505	77643-2	Grinder Ring -22					X
H507	15877	Feed Screw Stud -12	X			X	
H508	15880	Feed Screw Stud -22					X
H524	P-68338	Worm Feed Screw -22					X
H531	M-7201	Worm Drive Shaft -22					X
H534A	P-68338	Worm Feed Screw Assy -22					X
H537	15881	Worm Feed Screw - 22					X
H546A	15878	Worm Feed Screw Assy -12	X			X	
H547	4284	Worm Drive Shaft -12	X			X	
H548	15878	Worm Feed Screw -12	X			X	
H549A	4822	Worm Feed Screw Assy -22					X
H550	BB-5-50	Bearing - Pinion Gear	X			X	
H552	109070-17	Key - fits Drive Sleeve					X
H553	23618	Seal - Grease					X
H554	BB-6-40	Bearing - Sleeve					X
H555	BB-17-9	Bearing - Pinion Shaft					X

HOBART

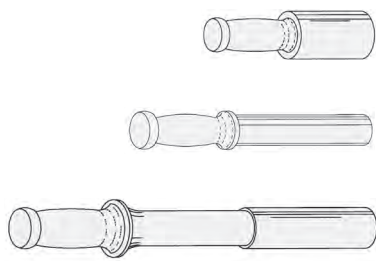
Size 32

Size 52



CHOPPER-GRINDERS

NBS P/N	DIAMETER	LENGTH BELOW COLLAR	OVERALL LENGTH
GR01	2	6	10 1/2
GR02	1 1/2	7	12
GR03	2	14	19



GRX100
Grinder Stud Wrench
(fits models 12, 22,
32, 52, 56)

FITS MODELS

NBS P/N	OEM P/N	DESCRIPTION	4046	4056E	4146	4152	4156	4246	4332	4346	4352	4532	4632	4732	4732A	1532	2032
GR35		Steel Stud Washer T=1/8"	X	X	X	X	X	X	X	X	X	X	X	X	X	X	X
GR36		Steel Stud Washer T=3/16"	X	X	X	X	X	X	X	X	X	X	X	X	X	X	X
H506	86050	Grinder Ring -32			X			X	X	X		X	X	X	X		
H509	110576	Feed Screw Stud -32			X			X		X			X	X	X	X	X
H520	292953	Meat Deflector -32			X			X	X	X		X	X	X	X		
H540	70388	Feed Screw Stud -52		X		X	X					X					
H544	P-111825	Worm Feed Screw -32											X	X	X		
H545A	P-111825	Worm Feed Screw Assy											X	X	X		
H570	186713	Belt - Drive						X									
H571	859361	Seal - Square Shaft											X	X			
H572	186714	Belt - Ventilating Unit						X									
HX100	88187	Grinder Ring Wrench			X			X		X			X	X	X	X	X
HX125	875250	Grinder Ring Wrench			X			X		X			X	X	X	X	X

HOBART GRINDER SEALS

Drive and Sprocket

-  **NEW**
H590 Seal
- Square Drive Shaft
-  **NEW**
H591 Seal
- Pinion Shaft
-  **NEW**
H592 Seal
- Mixing Arm Shaft
-  **NEW**
H595 Seal
- Drive Shaft
-  **NEW**
H598 Seal
- Sprocket Shaft

Drive Seals

-  **NEW**
H553 Seal
- Square Drive
-  **NEW**
H571 Seal
- Square Drive
-  **NEW**
H588 Seal - Square Drive
fits 4046
-  **NEW**
H597 Seal
- Square Drive

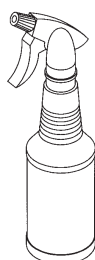
Conveyer and Mixing Arm

-  **NEW**
H589 Seal
- Outer Conveyer
-  **NEW**
H593 Seal
- Outer Mixing Arm
-  **NEW**
H596 Seal
- Mixing Arm/
Conveyer Arm

Worm Seal

-  **NEW**
H594 Seal
- Worm

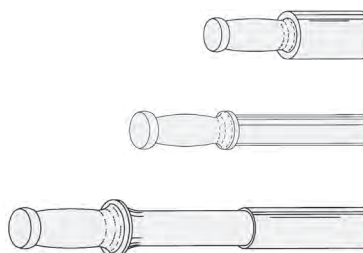
NATURAL ORANGE CITRUS CLEANER



Clean your stainless steel tables, counters and your food machines. All Natural Orange Citrus safe for most surfaces.

CC16
Citrus Cleaner
16oz
w/ Spray Head

NEW
CC32
Citrus Cleaner
32 oz
w/ Spray Head



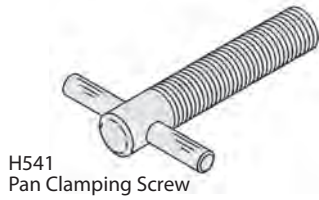
NBS P/N	DIAMETER	LENGTH BELOW COLLAR	OVERALL LENGTH
GR01	2	6	10 1/2
GR02	1 1/2	7	12
GR03	2	14	19

FITS MODELS

NBS P/N	OEM P/N	DESCRIPTION	1532	2032	4046	4056E	4146	4152	4156	4246	4332	4346	4352	4532	4632	4732	4732A	4822
H553	23618	Seal - Square Drive																X
H571	85961	Seal - Square Drive													X	X	X	
H588	69460	Seal - Square Drive			X		X	X										
H589	105196	Seal - Outer Conveyer								X		X						
H590	108591	Seal - Square Drive Shaft								X		X						
H591	186657	Seal - Pinion Shaft								X								
H592	105359	Seal - Mixing Arm Shaft										X	X					
H593	105266	Seal - Outer Mixing Shaft										X	X					
H594	123074-3	Seal - Worm											X					
H595	11701	Seal - Drive Shaft											X					
H596	479070	Seal - Mixing Arm/ Conveyer	X	X														
H597	72535	Seal - Square Drive				X			X									
H598	105355	Seal - Sprocket Shaft											X					

CHOPPER-GRINDERS

HOBART GRINDER



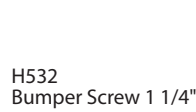
H541
Pan Clamping Screw



H523
Bowl / Head Lock Knob
L=1"



H522
Bowl / Head Lock Knob
L=6 7/8"



H532
Bumper Screw 1 1/4"



H533
Bumper Screw 3"



H530
Rubber Bumper
Tray Support
4812 & 4822

Non Marking
Silicone Rubber

H529
Rubber Foot
1/4-20 x 7/16



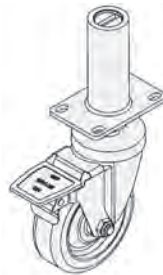
H569
Swivel Wheel
with Lock
3" Dia
1.0", 14 tpi
fits...4346



H564
Swivel Wheel
with Lock
4" Dia
1", 14 tpi
fits...4352



H562
Swivel Wheel
with Lock
4" Dia
1 1/4", 11 1/2 tpi
fits...4246



H565
Swivel Wheel
with Lock
4" Dia
fits...1532, 2032



H563
Fixed Wheel
4" Dia
1 1/4", 11 1/2 tpi
fits...4246

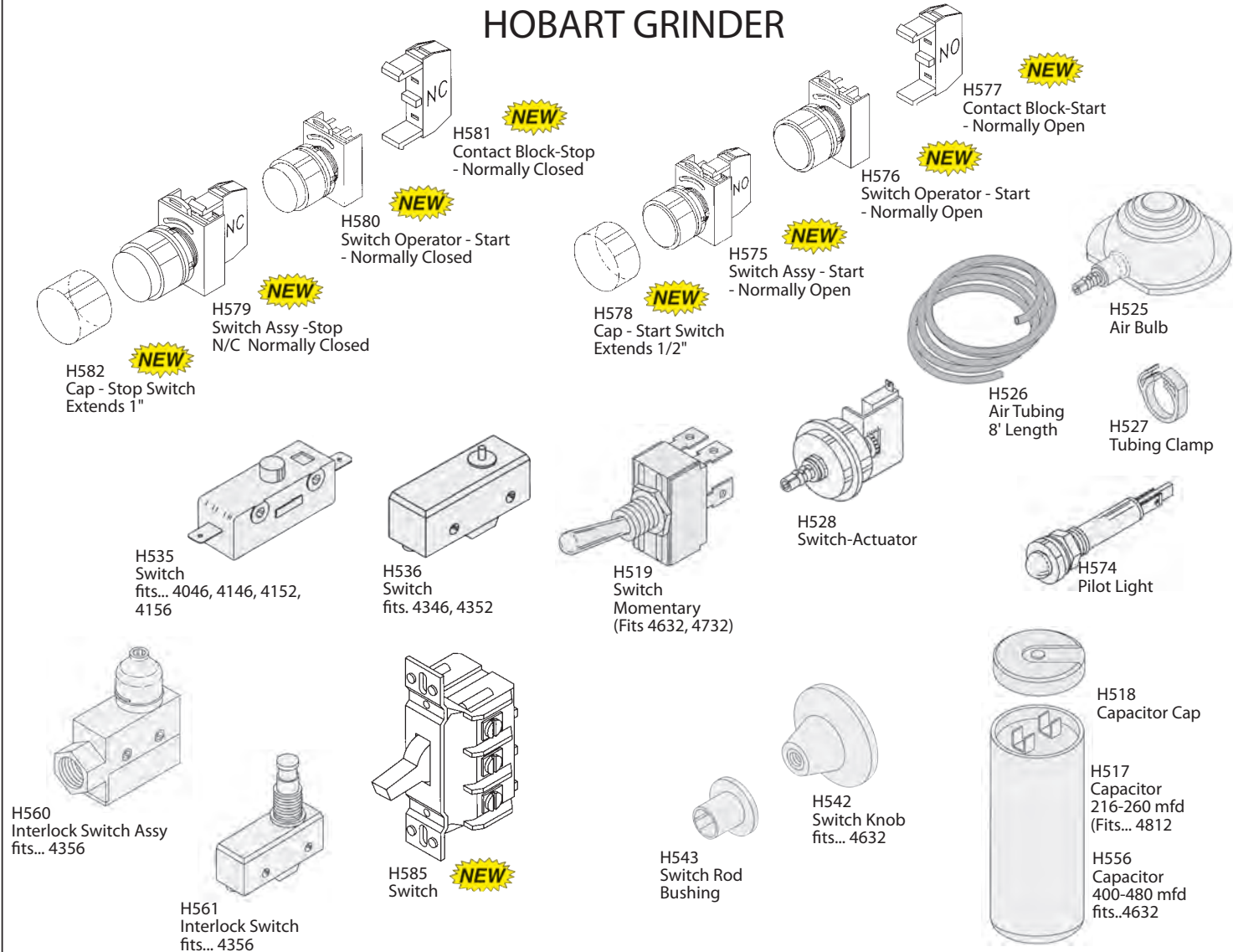


H566
Fixed Wheel
5" Dia
fits...1532, 2032

FITS MODELS

NBS P/N	OEM P/N	DESCRIPTION	4812	4056E	4146	4152	4156	4246	4822	4346	4352	4532	4632	4732	4732A	1532	2032
H522	186713	Bowl / Head Lock Knob 6 7/8"						X									
H523	859361	Bowl / Head Lock Knob 1"											X	X			
H529	186714	Rubber Foot						X									
H530	V-19105-1	Rubber Bumper Tray Support	X						X								
H532	88187	Bumper Screw 1 1/4"			X			X		X			X	X	X		
H533	875250	Bumper Screw 3"			X			X		X			X	X	X		
H540	70388	Feed Screw Stud -52		X		X	X					X					
H541	P-111825	Pan Clamping Screw											X	X	X		
H562	186725	Caster Swivel - 4"						X									
H563	186724	Caster Fixed - 4"						X									
H564	117591	Caster Swivel - 4"									X						
H565	477924	Caster Swivel - 4"														X	X
H566	439787	Caster Fixed - 4"														X	X
H569	107993	Caster Swivel - 3"								X							

HOBART GRINDER

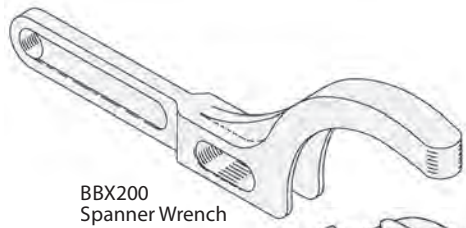


CHOPPER-GRINDERS

FITS MODELS

NBS P/N	OEM P/N	DESCRIPTION	1532	4046	4146	4152	4156	4246	4332	4346	4356	4352	4612	4632	4732	4812	4822	MG1532	M2032
H517	70487-3	Capacitor 216-260 mfd														X	X		
H518	70487-1	Capacitor Cap														X	X		
H519	120388	Switch												X	X				
H525	87711-214-1	Air Bulb	X					X											
H526		Air Tubing 8" Length	X					X											
H527	115747-8	Tubing Clamp	X					X											
H528	87711-213-1	Switch Actuator	X					X											
H535	87711-216-1	Switch (old p/n 87711-72-1)		X	X	X	X												
H536	81997-23	Switch										X		X					
H542	86163-1	Switch Knob											X	X					
H543	80538-1	Switch Rod Bushing (Each)											X	X					
H556	70487-6	Capacitor 400-480 mfd												X					
H560	87711-60-1	Interlock Switch- w/housing									X								
H561	87711-60-1	Interlock Switch -Only									X								
H574	477653-2	Pilot Light	X																
H575	87711-255-6	Switch Assy - Start								X		X							X
H576	478752-3	Switch Operator - Start								X		X							X
H577	8711-322-3	Contact Block-Start								X		X							X
H578	873427-2	Cap - Start																	X
H579	87711-255-7	Switch Assy -Stop																	X
H580	478752-8	Switch Operator - Stop																	X
H581	87711-3225	Contact Block-Stop																	X
H582	873427-3	Cap - Stop																	X
H585	8711-138-1	Switch														X	X		X

HOLLYMATIC GRINDER



BBX200
Spanner Wrench

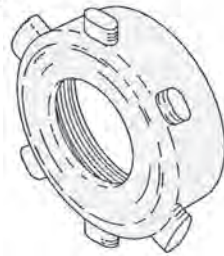


HL507
Grinder Stud -32
7/8-9 Threads / Inch

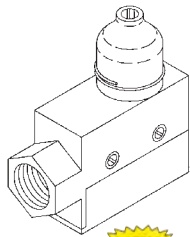


GR38
Steel Stud Washer t=1/8

GR39
Steel Stud Washer t=3/16

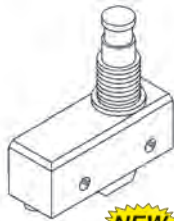


HL501
Grinder Ring -32
5-6 Threads / Inch



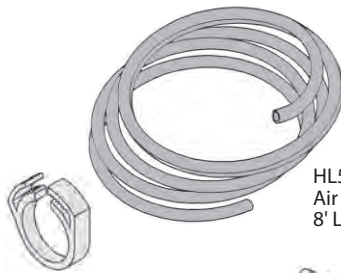
HL516
Interlock Switch
W/ Housing

NEW



HL517
Interlock Switch

NEW



HL509
Air Tubing
8' Length



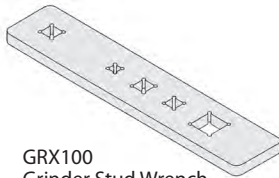
HL510
Tubing Clamp



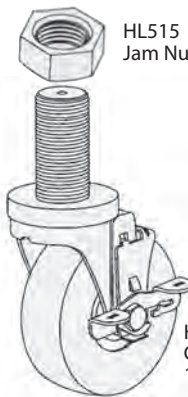
HL513
Air Line
Coupling Body



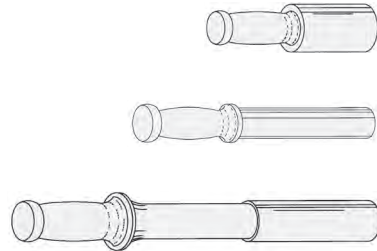
HL512
Air Line
Coupling Insert



GRX100
Grinder Stud Wrench
(Fits models 12, 22, 32, 52, 56)



HL515
Jam Nut



NBS P/N	DIAMETER	LENGTH BELOW COLLAR	OVERALL LENGTH
GR01	2	6	10 1/2
GR02	1 1/2	7	12
GR03	2	14	19

FITS MODELS

NBS P/N	OEM P/N	DESCRIPTION	175	180	180A	190	GMG #42
BBX200		Spanner Wrench	X	X	X		
GR38		Steel Stud Washer T=1/8" X	X	X			
GR39		Steel Stud Washer T=3/16 X	X	X			
GRX100		Grinder Stud Wrench	X	X	X	X	X
HL501	180 8012	Grinder Ring -32	X	X	X		
HL507	100 0199	Grinder Stud -32	X	X	X		
HL509		Air Tubing 8" Length	X		X		
HL510		Tubing Clamp	X		X		
HL512	181-0817	Air Line Coupling Insert	X	X	X		
HL513	181-0816	Air Line Coupling Body	X	X	X		
HL514	181-0500	Caster - 5"	X		X	X	X
HL515	100-0048	Jam Nut	X		X	X	X
HL516	32-6671	Interlock Switch / w Housing		X	X		
HL517	32-6671	Interlock Switch		X	X		

CHOPPER-GRINDERS

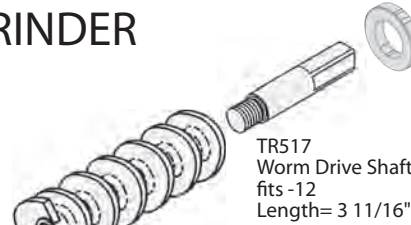
TORREY GRINDER



Steel Edge Knives:
See GK12-S, Page 8



Reversible Plate:
See GP12, GP22
See Page 6



TR517
Worm Drive Shaft
fits -12
Length= 3 11/16"

GR40
Worm Washer
Nylon
fits-12



TR518
Worm (Feed Screw Only)
Tapered, Length = 5"

GR80
Steel Stud Washer t=1/8

GR81
Steel Stud Washer t=3/16



TR500
Feed Screw Stud -12
5/8-11 Threads/Inch

Size 12



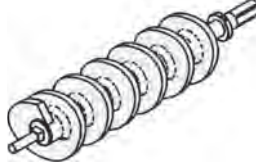
GR41
Worm Washer
Nylon
fits -22



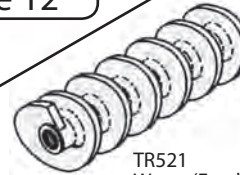
TR520
Worm Drive Shaft
fits -22
Length= 4"



TR510
Grinder Ring -12
3 3/8 -8 Threads / Inch



TR519A
Worm / Feed Screw Assy fits -12
Complete, includes Stud, Worm,
Drive Shaft, Washer



TR521
Worm (Feed Screw Only)
Tapered, Length = 6 7/8"



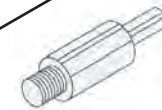
GR82
Steel Stud Washer t=1/8

GR83
Steel Stud Washer t=3/16



TR501
Feed Screw Stud -22
1-8 Threads/Inch

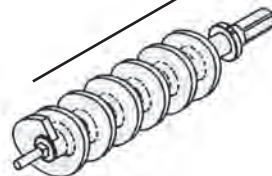
Size 22



TR526
Worm Drive Shaft
fits -22 New Style
Length= 3 1/2"



TR511
Grinder Ring -22
4-8 Threads / Inch



TR522A
Worm (Feed Screw) Assy fits -22
Complete, includes Stud, Worm,
Drive Shaft, Washer



GR82
Steel Stud Washer t=1/8

GR83
Steel Stud Washer t=3/16



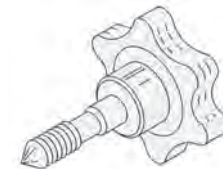
TR527
Worm (Feed Screw Only)
Straight - New Style
Length = 7 3/8"



TR502
Feed Screw Stud -32
1-8 Threads/Inch

Size 22
New Style

TR528A
Worm (Feed Screw) Assy fits -22,
New Style
Complete, includes Stud, Worm,
Drive Shaft, Washer



TR513
Bowl / Head Lock Knob
L=1 5/16

FITS MODELS

NBS P/N	OEM P/N	DESCRIPTION	M-12FS	M-22R	M-22RW	M-32
GR40	500344	Worm Washer -12	X			
GR41	500345	Worm Washer -22		X		
GR80		Steel Stud Washer t=1/8	X			
GR81		Steel Stud Washer t=3/16	X			
GR82		Steel Stud Washer t=1/8		X	X	
GR83		Steel Stud Washer t=3/16		X	X	
TR500	05-02166	Feed Screw Stud -12	X			
TR501	570201	Feed Screw Stud -22		X		
TR502	05-70203	Feed Screw Stud -22				X
TR510	570380	Grinder Ring -12	X			
TR511	570383	Grinder Ring -22		X		
TR513	502270	Bowl / Head Lock Knob	X	X	X	X
TR517	570205	Worm Drive Shaft - 12	X			
TR518	570480	Worm/Feed Screw -12	X			
TR519A	N/A	Worm/Feed Screw Assy -12	X			
TR520	05-2169	Worm Drive Shaft - 22		X		
TR521	570489	Worm/Feed Screw -22		X		
TR522A	N/A	Worm/FeedScrew Assy -22		X		
TR526	506586	Worm Drive Shaft - 22			X	
TR527	575280	Worm/Feed Screw -22			X	
TR528A	575280	Worm/Feed Screw Assy -22			X	

TORREY

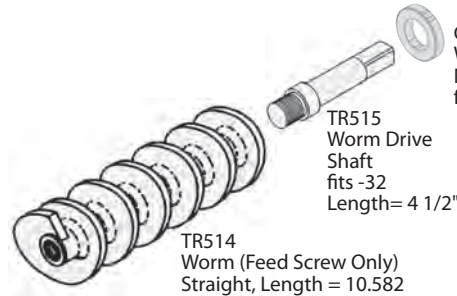
Size 32



Reversible Plate:
See GP32
See Page 4



Steel Edge Knives:
See GK32-S, Page 6



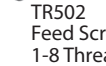
GR42
Worm Washer
Nylon
fits -32

TR515
Worm Drive
Shaft
fits -32
Length= 4 1/2"

TR514
Worm (Feed Screw Only)
Straight, Length = 10.582



GR82
Steel Stud Washer t=1/8
GR83
Steel Stud Washer t=3/16



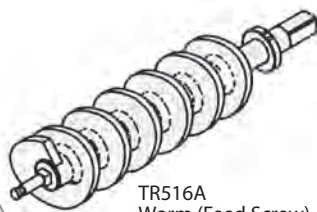
TR502
Feed Screw Stud -32
1-8 Threads/Inch



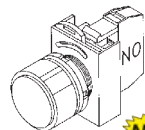
TR530
Motor Starting Capacitor
565 - 678 Mfd



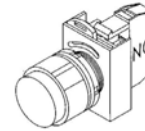
TR512
Grinder Ring -32
5-6 Threads / Inch



TR516A
Worm (Feed Screw) Assy fits -32
Complete, includes Stud, Worm,
Drive Shaft, Washer



TR531 **NEW**
Switch Assy
N/O Normally Open
Flush Button - Black



TR533 **NEW**
Switch Assy
N/C Normally Closed
Extended button -Red



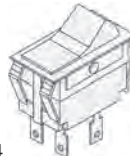
TR532 **NEW**
Switch Cap
N/O Normally Open
1/2" Tall



TR534 **NEW**
Switch Cap
N/C Normally Closed
1" Tall



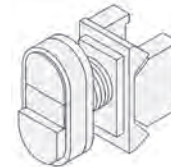
TR535 **NEW**
Rubber Pad (Foot)
Fits... M12, M22, M32



TR524
Rocker Switch
fits M22
(3/4 X 1 7/16 Panel Cut Out)



TR525
Rocker Switch
fits M12, M22
(1/2 X 1 1/4 Panel Cut Out)



TR523
On/Off Switch

FITS MODELS

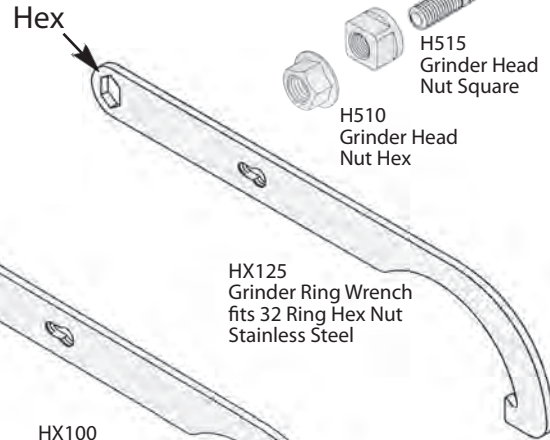
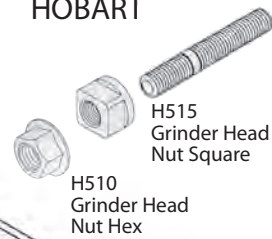
NBS P/N	OEM P/N	DESCRIPTION	M-12FS	M-22R	M-32
GR42	N/A	Steel Stud Washer t=1/8			X
GR82	N/A	Steel Stud Washer t=3/16			X
GR83	501451	Worm Washer -32			X
TR502	570203	Feed Screw Stud -32			X
TR512	570386	Grinder Ring -32			X
TR514	570557	Worm/Feed Screw -32			X
TR515	570207	Worm Drive Shaft - 32			X
TR516A	570557	Worm/Feed Screw Assy -32			X
TR523	502260	On/Off Switch		X	
TR524	501318	Rocker Switch -M22		X	
TR525	501318	Rocker Switch -M12-M22	X	X	
TR530	N/A	Motor Starting Capacitor		X	
TR531	502264	Switch Assy- Open, Flush Button			X
TR532	N/A	Switch Cap for TR531 1/2" Tall			X
TR533	502263	Switch Assy- Closed, Ext Button			X
TR534	N/A	Switch Cap for TR533 1" Tall			X
TR535	500333	Rubber Pad (Foot)	X	X	X

GRINDER WRENCHES

- HX100 has been redesigned to a box end wrench design for a longer life

HOBART

- H511 - 4 1/2" Long
- H512 - 4" Long
- H513 - 3 5/8" Long
- H514 - 3" Long
- Grinder Head Studs

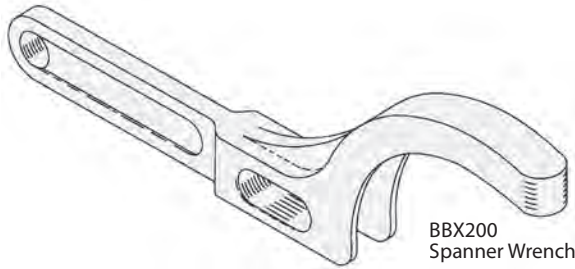


HX125
Grinder Ring Wrench
fits 32 Ring Hex Nut
Stainless Steel

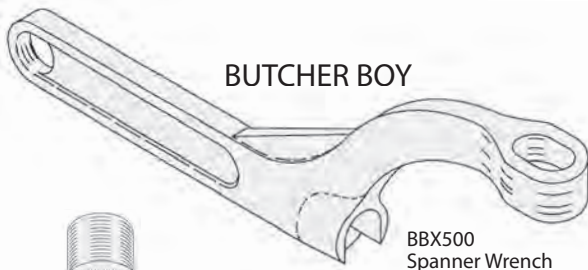


HX100
Grinder Ring Wrench
Square Nut
Stainless Steel

BUTCHER BOY / HOBART / HOLLYMATIC



BBX200
Spanner Wrench

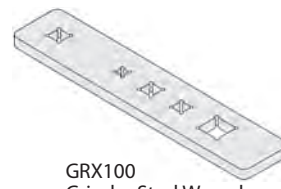


BBX500
Spanner Wrench



BB556
Drive-In Leveling Leg

NEW



GRX100
Grinder Stud Wrench
(Fits models 12, 22, 32, 52, 56)

BX100
Grinder Ring Wrench

FITS MODELS

BIRO

NBS P/N	OEM P/N	DESCRIPTION	32	342	346	548	1056	1556	7542	7548	7552	AFMG 48/52	AFMG-24	EMG-32
BX100	H340	Grinder Ring Wrench	X	X	X	X	X	X	X	X	X	X	X	X

BUTCHER BOY

NBS P/N	OEM P/N	DESCRIPTION	A42	AU42	A52	AU52	100/42	100/52	200/42	200/52	250/52	500/AU56	500/AU66
BB556	59390	Drive-In Leveling Leg	X	X	X	X							
BBX200	BB59188	Spanner Wrench	X	X	X	X	X	X	X	X			
BBX500	59233	Spanner Wrench										X	X

HOBART

NBS P/N	OEM P/N	DESCRIPTION	4056	4146	4152	4156	4246	4256	4346	4352	4356	4632	4632A	4732	4732A	4812	4822
BBX200	72286	Grinder Ring Wrench	X		X												
H510	NS-048-57	Grinder Nut-Hex	X	X	X	X	X	X	X	X	X	X	X	X	X	X	X
H511	72981-1	Stud 4 1/2"	X			X											
H512	72981-2	Stud 4"		X	X						X						
H513	72981-3	Stud 3 5/8"										X	X	X	X		
H514	118266	Stud 3"						X	X								
H515	86124	Grinder Nut-Square	X	X	X	X	X	X	X		X	X					
HX100	88187	Grinder Ring Wrench					X	X	X	X	X	X	X	X	X		
HX125	873865	Grinder Ring Wrench					X	X	X	X	X	X	X	X	X		

HOLLYMATIC

NBS P/N	OEM P/N	DESCRIPTION	175	180	180A	190
BBX200	1000221	Spanner Wrench	X	X	X	X

GRINDER STUD WRENCH, FITS MOST MODEL STUDS

GRX100		Grinder Stud Wrench....	Fits Most Grinder Studs and Models				
--------	--	-------------------------	------------------------------------	--	--	--	--

CHOPPER-GRINDERS

BIRO

Grinder studs are actual size.
Place your stud over illustration
to help identify.



B622
Fits 52
1 11/16" Flange OD
1 1/8-7 tpi



B606
Fits 32
1 1/4" Flange OD
7/8-10 tpi



B607
Fits 32
1 5/16" Flange OD
1 1/8-7 tpi

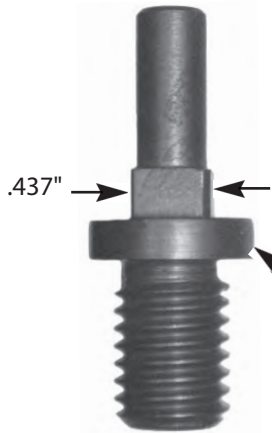


B605
Fits 22
1" Flange OD
3/4-10 tpi

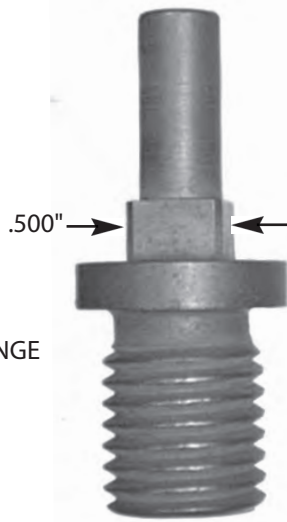


B604
Fits 12
3/4" Flange OD
1/2-13 tpi

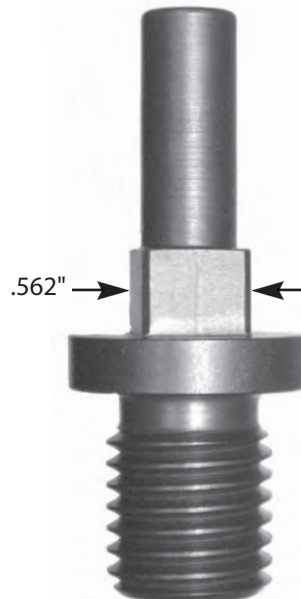
BUTCHER BOY



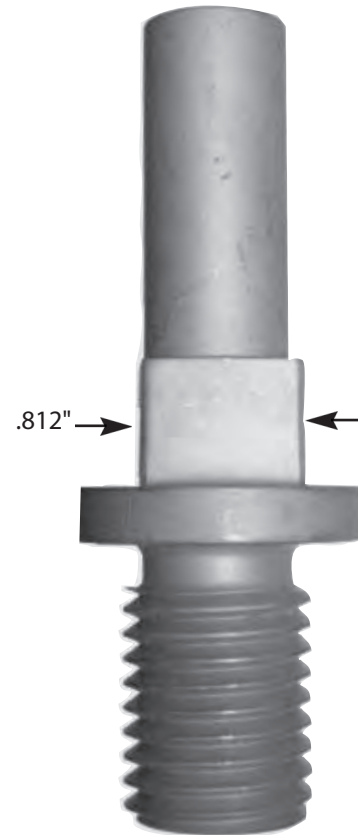
BB504
Fits 12
7/8" Flange OD
5/8-11 tpi



BB505
Fits 22
1 1/8" Flange OD
7/8-9 tpi



BB506
Fits 32
1 1/4" Flange OD
7/8-9 tpi



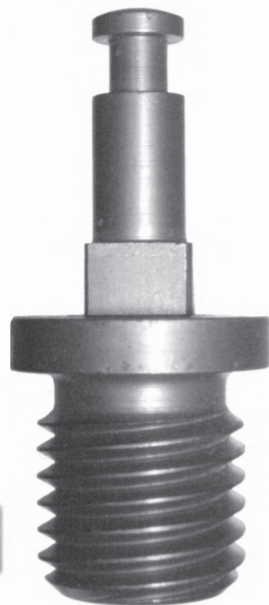
BB510
Fits 52
1 1/2" Flange OD
1-8 tpi

HOBART

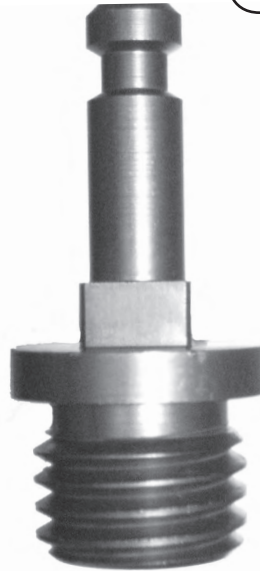
Grinder studs are actual size.
Place your stud over illustration
to help identify.



H540
FITS 52
1 5/16" Flange OD
1 1/8-7 tpi



H509
Fits 32
1 3/8" Flange OD
1 1/8-3 1/2 tpi
Double Lead



H521
fits 32
1 11/16" Flange OD
1 1/8 -7 tpi
Single Lead



H508
fits 22
1 1/8" Flange OD
1-8 tpi

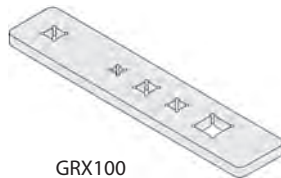


H507
fits 12
1" Flange OD
7/8-9 tpi

HOLLYMATIC



HL507
Fits 32
1 1/8 Flange OD
7/8-9 tpi



GRX100
Grinder Stud Wrench
(Fits models 12, 22, 32, 52, 56)
Don't forget to get yours today. Fits
most makes and models of grinder
studs.

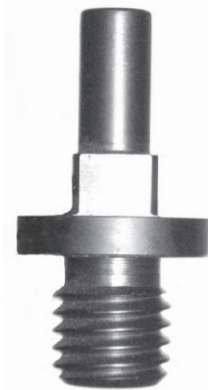
TORREY



TR502
Fits 32
1 1/8" Flange OD
1 -8 tpi



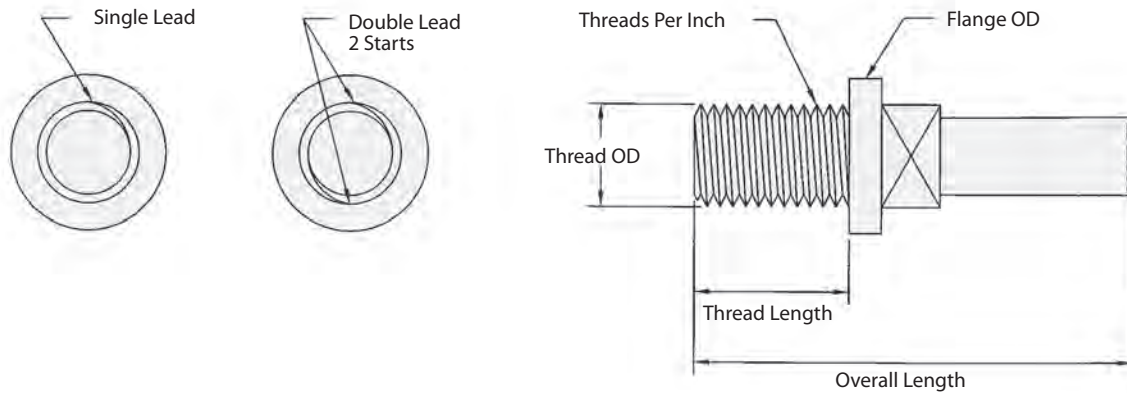
TR501
Fits 22
1 1/8" Flange OD
1-8 tpi



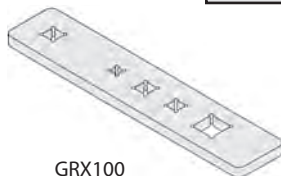
TR500
Fits 12
1 Flange" OD
5/8-11 tpi

CHOPPER-GRINDERS

GRINDER STUD DIMENSION CHART



NBS P/N	FITS SIZE	THREAD OD	THREADS PER INCH	THREAD LENGTH	OVERALL LENGTH	FLANGE OD
B604	12	1/2	13	3/4	2 1/8	3/4
B605	22	3/4	10	3/4	2 1/2	1
B606	32	7/8	9	1 1/2	3 13/16	1 1/4
B607	32	1 1/8	7	13/16	2 13/16	1 5/16
B622	52	1 1/8	7	1 7/16	4 7/8	1 11/16
BB504	12	5/8	11	7/8	2 3/16	7/8
BB505	22	7/8	9	1	2 5/8	1 1/8
BB506	32	7/8	9	1	3	1 1/4
BB510	52	1	8	1 7/16	4 1/8	1 1/2
H507	12	7/8	9	11/16	2	1
H508	22	1	8	13/16	2 7/16	1 1/8
H509	32	1 1/8	DOUBLE LEAD	1 3/16	3	1 3/8
H521	32	1 1/8	7	7/8	2 13/16	1 11/16
H540	52	1 1/8	7	1 7/16	4 7/8	1 5/16
HL507	32	7/8	9	1	2 13/16	1 1/8
TR500	12	5/8	11	11/16	1 15/16	1
TR501	22	1	8	13/16	1 7/16	1 1/8
TR502	32	1	8	1	3	1 1/8



GRX100
Grinder Stud Wrench
(Fits models 12, 22, 32, 52, 56)
Don't forget to get yours today. Fits most makes and models of grinder studs.

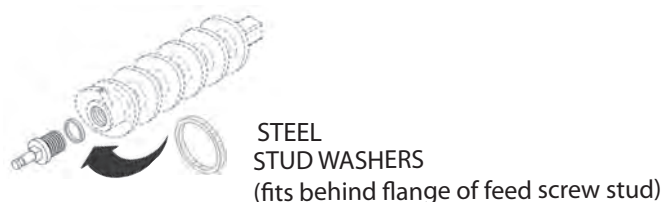
CHOPPER-GRINDERS

FEED SCREW WASHERS



NBS P/N	FITS	MATERIAL	ID	OD	THICKNESS	FITS	OEM P/N	MODELS
GR30	12	FIBER	3/4	1 5/16	1/8	Hobart	3310	4612, 4812 Torrey M12
GR31	22	FIBER	7/8	1 1/2	1/8			
GR32	22	FIBER	7/8	1 5/8	1/8	Torrey		M22
GR33	22	FIBER	1	1 5/8	1/8	Hobart	4221	4822
GR34	32	FIBER	1	2	1/8	Hobart		4332
GR37	32	FIBER	1 1/4	2	1/8	Hobart	N/A	4442
GR40	12	NYLON	3/4	1 5/16	3/16	Torrey	500344	M-12FS
GR41	22	NYLON	7/8	1 5/16	1/4	Torrey	500345	M-22R
GR42	32	NYLON	1 1/4	1 7/8	1/4	Torrey	501451	M-32
GR90	12	FIBER	1 5/16	1 15/16	1/16	Butcher Boy	12524	TCA-12
GR91	22	FIBER	1 5/16	2 1/4	3/16	Butcher Boy	22022	TCA-22
GR92	32	FIBER	1 3/4	2 11/16	3/16	Butcher Boy	32024	TCA-32
GR93	42	FIBER	1 3/4	3 1/2	1/16	Butcher Boy	59273	A42
GR94	52	FIBER	1 3/4	4 1/2	1/16	Butcher Boy	59274	A52

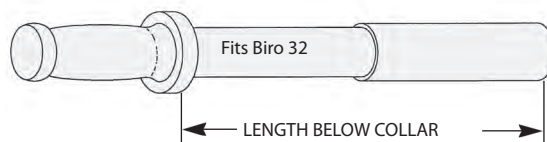
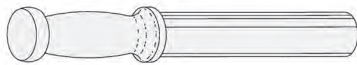
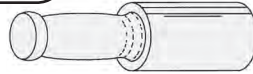
FITS MOST POPULAR GRINDERS



NBS P/N	FITS	MATERIAL	ID	OD	THICKNESS	FITS	OEM P/N	MODELS
GR35	32	STEEL	1 1/8	1 5/16	1/8	Hobart	N/A	4146, 4246, 4346, 4632, 4732
GR36	32	STEEL	1 1/8	1 5/16	3/16	Hobart	N/A	4146, 4246, 4346, 4632, 4732
GR38	32	STEEL	7/8	1	1/8	Hollymatic	N/A	175, 180
GR39	32	STEEL	7/8	1	3/16	Hollymatic	N/A	175, 180
GR76	22	STEEL	1	1 1/8	1/8	Hobart		4822
GR77	22	STEEL	1	1 1/8	3/16	Hobart		4822
GR78	12	STEEL	7/8	1	1/8	Hobart		4612, 4812
GR79	12	STEEL	7/8	1	3/16	Hobart		4612, 4812
GR80	12	STEEL	5/8	7/8	1/8	Torrey		M12FS
GR81	12	STEEL	5/8	7/8	3/16	Torrey		M12FS
GR82	22,32	STEEL	1	1 3/32	1/8	Torrey		M22R, M32
GR83	22,32	STEEL	1	1 3/32	3/16	Torrey		M22R, M32
GR84	12	STEEL	2 1/32	7/8	1/8	Butcher Boy		TCA12
GR85	12	STEEL	2 1/32	7/8	3/16	Butcher Boy		TCA12
GR86	12	STEEL	1/2	1 1/16	1/8	Biro		812
GR87	12	STEEL	1/2	1 1/16	3/16	Biro		812
GR88	22	STEEL	25/32	1	1/8	Biro		722, 822, 922
GR89	22	STEEL	25/32	1	3/16	Biro		722, 822, 922

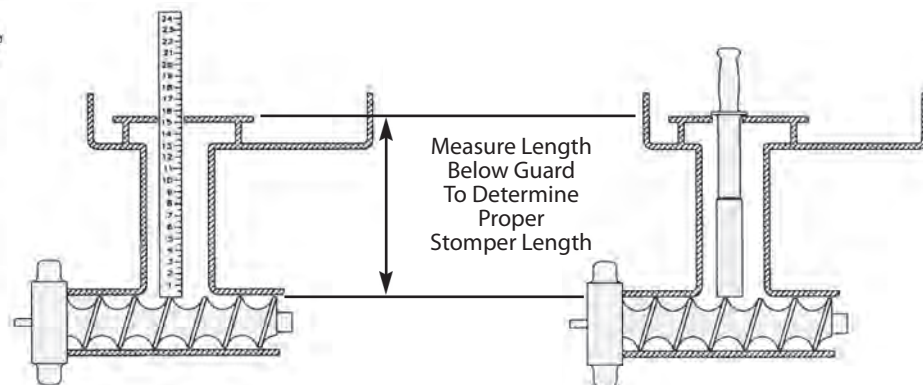
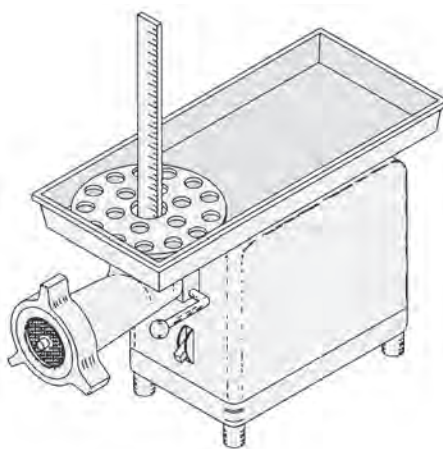
GRINDER STOMPERS

Our Stompers are Heavy duty **SOLID** (not hollow) plastic, made from high impact polyethylene. You can cut them to length to fit your grinder



NBS P/N	DIAMETER	LENGTH BELOW COLLAR	OVERALL LENGTH
GR01	2	6	10 1/2
GR02	1 1/2	7	12
GR03	2	14	19
GR04	2 3/4	13 1/2	17 1/2
GR05	2	6 1/2	11 3/4
GR06	2	7 1/4	12 1/2
GR07	3 1/2	15 5/8	19 7/8
GR08	2	11 1/2	17 1/2

CHOPPER-GRINDERS



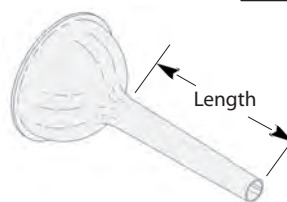
STUFFING TUBES

ALUMINUM

NBS P/N	GRINDER SIZE	TUBE DIAMETER				LENGTH
		1/2"	3/4"	1-1/4"	2"	
GR50	12	X				4"
GR51	12		X			4"
GR52	22	X				4"
GR53	22		X			4"
GR54	32	X				4"
GR55	32		X			4"
GR56	12			X		6"
GR57	22			X		6"
GR58	32			X		6"
GR74	52	X				4"
GR75	52		X			4"
GR70 bag	12				X	6"
GR71 bag	22				X	6"
GR72 bag	32				X	6"
GR73 bag	52			X	6"	6"

FITS MOST POPULAR GRINDERS

ALUMINUM
GR50
GR51
GR52
GR53
GR54
GR55
GR56
GR57
GR58
GR74
GR75



Length

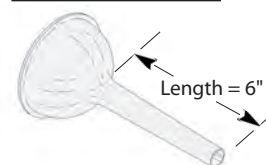
BAG HORNS ALUMINUM 2" DIAMETER
GR70
GR71
GR72
GR73



STAINLESS STEEL

NBS P/N	GRINDER SIZE	TUBE DIAMETER			LENGTH
		1/2"	3/4"	7/8"	
GR60	12	X			6"
GR61	12		X		6"
GR62	22	X			6"
GR63	22		X		6"
GR64	32	X			6"
GR65	32		X		6"
GR66	32			X	6"
GR67	52	X			6"
GR68	52		X		6"

STAINLESS STEEL



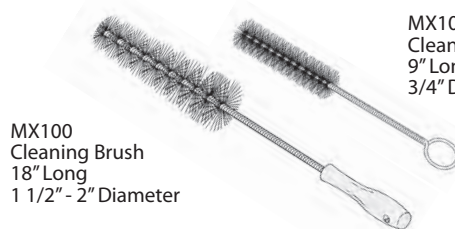
Length = 6"

Lard Press and Stuffing Tubes

NBS P/N	TUBE DIAMETER		
	3/8"	1/2"	3/4"
GR47	X		
GR48		X	
GR49			X



Fits 4, 6, & 8 Quart Enterprise & Chop-Rite Stuffers



MX100
Cleaning Brush
18" Long
1 1/2" - 2" Diameter

MX102
Cleaning Brush
9" Long
3/4" Diameter

Use these brushes for cleaning Stuffing Tubes

CHOPPER-GRINDERS

BERKEL TENDERIZERS

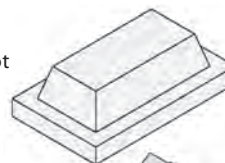
Fits 703, 704, 705



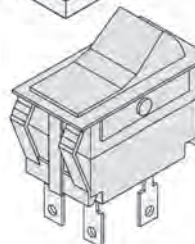
BT012
Capacitor Cap

BT011
Motor Starting
Capacitor
(216-260 mfd)

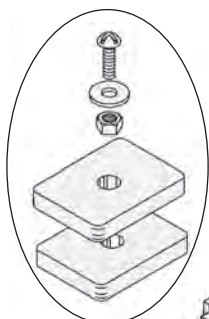
BT014
Switch Boot



BT005
Rocker Switch



BT013
Magnet Assy



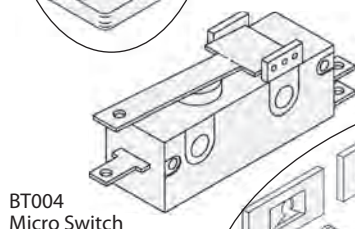
These magnets have a stronger magnetic force compared to the originals. Replace both - one on the Micro Switch and one in the safety cover

The magnet is to be attached to the Micro Switch with the hardware provided and can be attached to the plastic safety cover with silicone cement.

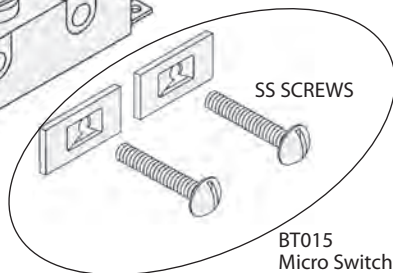


BT009
Motor Clamp/Rear

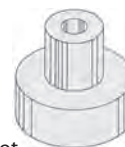
USE THE BT015
WHEN REPLACING THE BERKEL TENDERIZER
MICRO SWITCH (P/N BT004)



BT004
Micro Switch



BT015
Micro Switch
Mounting Kit



BT010
Rubber Foot



BT003
Shoe

TENDERIZERS

FITS MODELS

NBS P/N	OEM P/N	DESCRIPTION	703	704	705
BT003	3675-0051	Shoe		X	X
BT004	4175-0020	Micro Switch		X	X
BT005	675-0015	Rocker Switch		X	X
BT009	2275-0087	Motor Clamp/Rear	X	X	X
BT010	A-3000-1	Rubber Foot	X		
BT011	2675-0036	Motor Starting Capacitor	X	X	X
BT012	2675-0002	Capacitor Cap	X	X	X
BT013	4375-0026	Magnet Assy		X	X
BT014	3675-0050	Switch Boot		X	X
BT015	2175-0072	Micro Switch Mounting Kit		X	X

BERKEL TENDERIZERS

Fits 703, 704, 705

P/N Sticker Caution



Replacement Caution Sticker for Tenderizer Safety Covers, Universal, Can be used for other applications

P/N Sticker Warning



Replacement Warning Sticker for Tenderizer Safety Covers, Universal, Can be used for other applications



BT033 Tenderizer Safety Cover Complete with magnet and Cover Pin Assy

BT016 Pivot Knob

BT017 Cover Spring

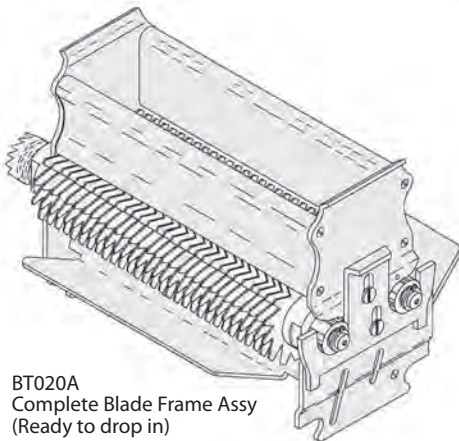
BT018 Cover Pin

BT019A Cover Pin Assy

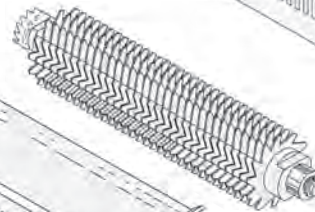
BT002 Blade Stripper Front or Rear Stainless Steel



BT036 Safety Glove Cloth w/ Steel Wire
This glove is ambidextrous... fits right or left hand
Great for protection against serious cuts.

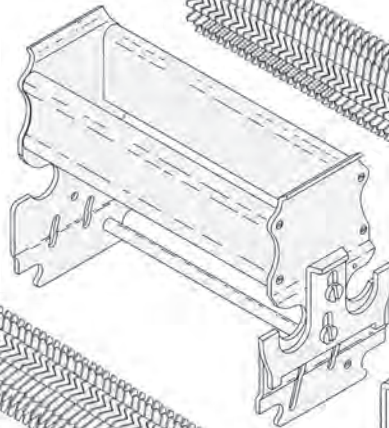


BT020A Complete Blade Frame Assy (Ready to drop in)



BT023R Rear Blade Shaft Assy (Complete) 43 blades per shaft assembly

BT022F Front Blade Shaft Assy (Complete) 43 Blades per shaft assembly

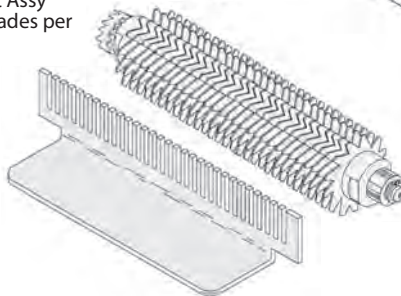


BT021 Blade Frame Assy

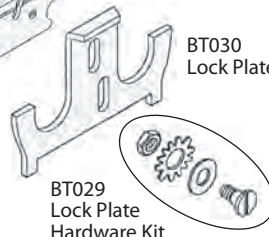


YOU CAN USE THIS TOOL DURING CLEAN UP TO REMOVE MEAT PARTICLES FROM BETWEEN TENDERIZING BLADES.

BT002 Blade Stripper Front or Rear Stainless Steel

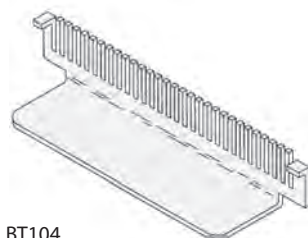


BT030 Lock Plate



BT029 Lock Plate Hardware Kit

BT100 Blade STIR FRY / FAJITA CUTTER



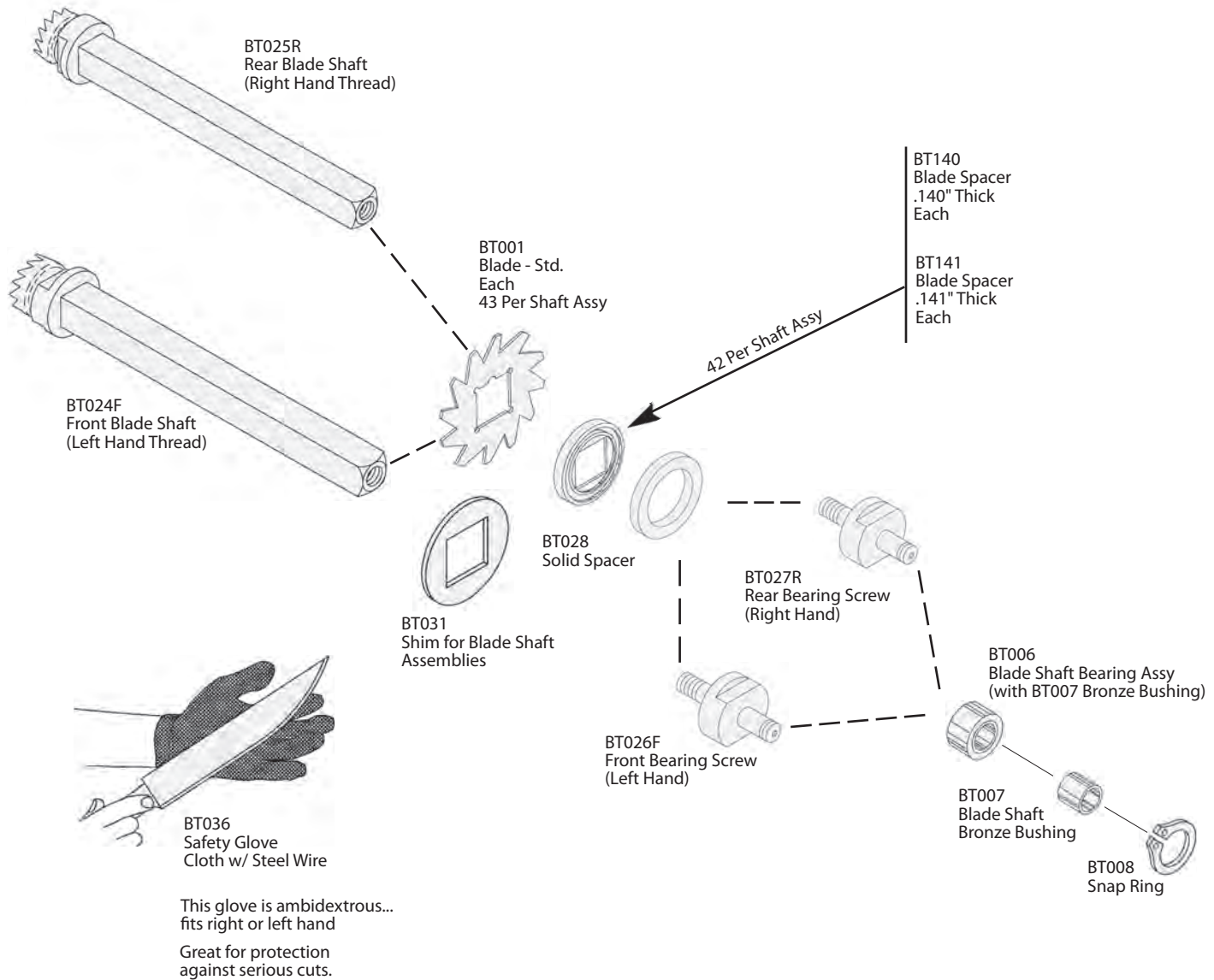
BT104 Blade Stripper STIR FRY / FAJITA CUTTER

FITS MODELS

NBS P/N	OEM P/N	DESCRIPTION	703	704	705
BT002	3475-0105	Blade Stripper, Front or Rear	X	X	X
BT016	3375-0157	Pivot Knob	X	X	X
BT017	3275-0012	Cover Spring	X	X	X
BT018	3375-0156	Cover Pin	X	X	X
BT019A	3375-0156	Cover Pin Assy	X	X	X
BT020A	4675-0103	Complete Blade Frame Assy	X	X	X
BT021	4375-0021	Blade Frame Assy	X	X	X
BT022F	4675-0107	Front Blade Shaft Assy (Complete)	X	X	X
BT023R	4675-0105	Rear Blade Shaft Assy (Complete)	X	X	X
BT029		Lock Plate Hardware Kit	X	X	X
BT030	3475-0103	Lock Plate	X	X	X
BT033	9234-0020	Tenderizer Safety Cover	X	X	X
BT100	3475-0697	Blade -Stir Fry / Fajita Cutter	X	X	X
BT104	3475-0747	Stripper- Stir Fry / Fajita Cutter	X	X	X
HX400	292592	Cleaning Fork	X	X	X

BERKEL TENDERIZERS

Fits 703, 704, 705



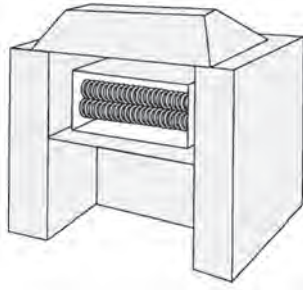
FITS MODELS

NBS P/N	OEM P/N	DESCRIPTION	703	704	705
BT001	3275-0014	Blade, Std -Each	X	X	X
BT006	4575-0060	Blade Shaft Bearing Assy	X	X	X
BT007	N/A	Blade Shaft Bronze Bushing	X	X	X
BT008	2175-0078	Snap Ring	X	X	X
BT024F	4575-0059	Front Blade Shaft	X	X	X
BT025R	4575-0061	Rear Blade Shaft	X	X	X
BT026F	4375-0029	Front Bearing Screw	X	X	X
BT027R	4375-0030	Rear Bearing Screw	X	X	X
BT028	3375-0164	Solid Blade Spacer	X	X	X
BT031	N/A	Shim for Blade Shaft	X	X	X
BT036		Safety Glove Cloth W/ Steel Wire	X	X	X
BT140	N/A	Blade Spacer .140" Thick -Each	X	X	X
BT141	N/A	Blade Spacer .141" Thick -Each	X	X	X

TENDERIZERS

BIRO TENDERIZER

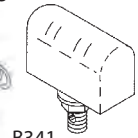
Fits PRO 9 - SIR STEAK



B326
Tenderizer Safety Cover Complete with Magnet
(This works with both push button and with Magnetic Reed Switch)

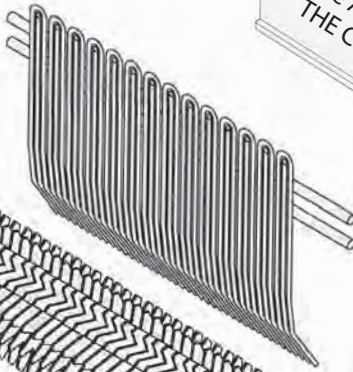


B329
Hinge Spring

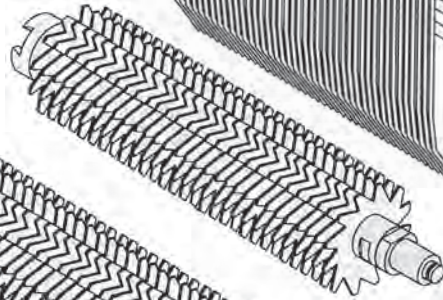


B341
Cover Hinge Left or Right

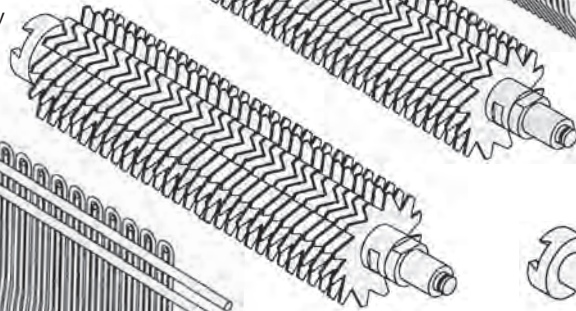
B302B
Back Wire Comb



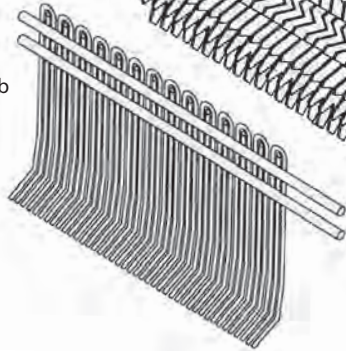
B315B
Back Knife Shaft Assy
43 blades per shaft



B314F
Front Knife Shaft Assy
42 blades per shaft



B301F
Front Wire Comb



P/N Sticker Caution

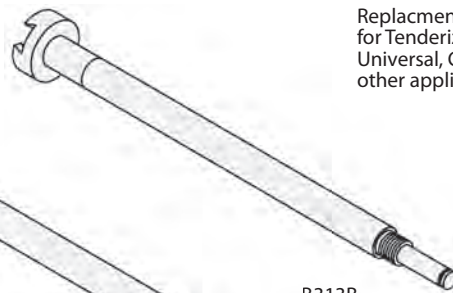


Replacement Caution Sticker for Tenderizer Safety Covers, Universal, Can be used for other applications

P/N Sticker Warning



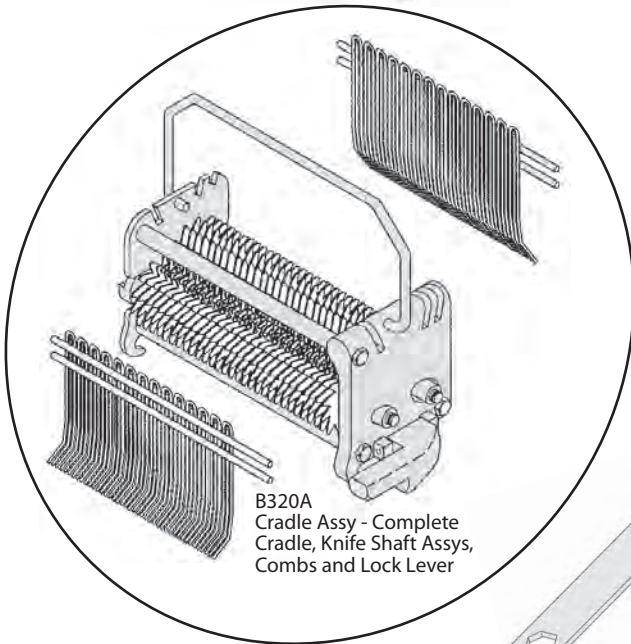
Replacement Warning Sticker for Tenderizer Safety Covers, Universal, Can be used for other applications



B313B
Back Knife Shaft
(Right Hand Thread)



B312F
Front Knife Shaft
(Left Hand Thread)



B320A
Cradle Assy - Complete
Cradle, Knife Shaft Assys,
Combs and Lock Lever

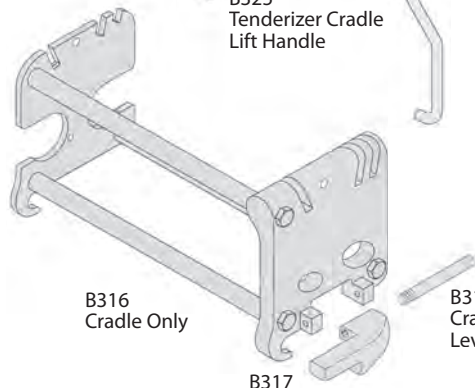


HX400
Cleaning Fork

YOU CAN USE THIS TOOL DURING CLEAN UP TO REMOVE MEAT PARTICLES FROM BETWEEN TENDERIZING BLADES.



B325
Tenderizer Cradle Lift Handle



B316
Cradle Only

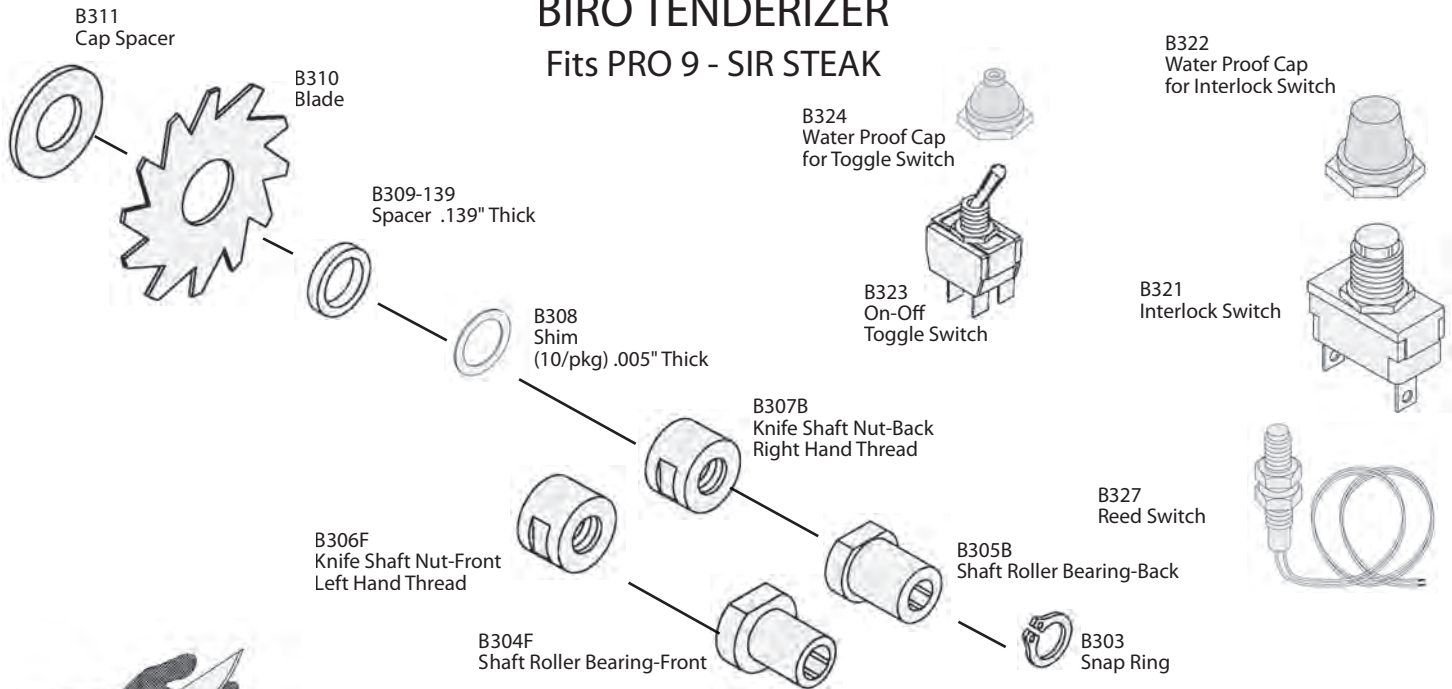
B317

B318
Cradle Lock Lever Shaft

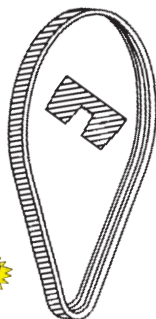
TENDERIZERS

BIRO TENDERIZER

Fits PRO 9 - SIR STEAK



B328 Safety Glove Cloth w/ Steel Wire
 This glove is ambidextrous... fits right or left hand
 Great for protection against serious cuts.



NEW

B343 Motor Belt
 L=18 3/16"
 W= 3/8"
 2 Ribs

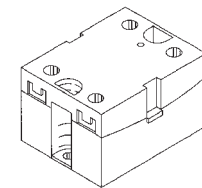


NEW

B330 Motor Belt "V" Style
 L=19"
 W=1/2"

Fits PRO 9 - SIR STEAK

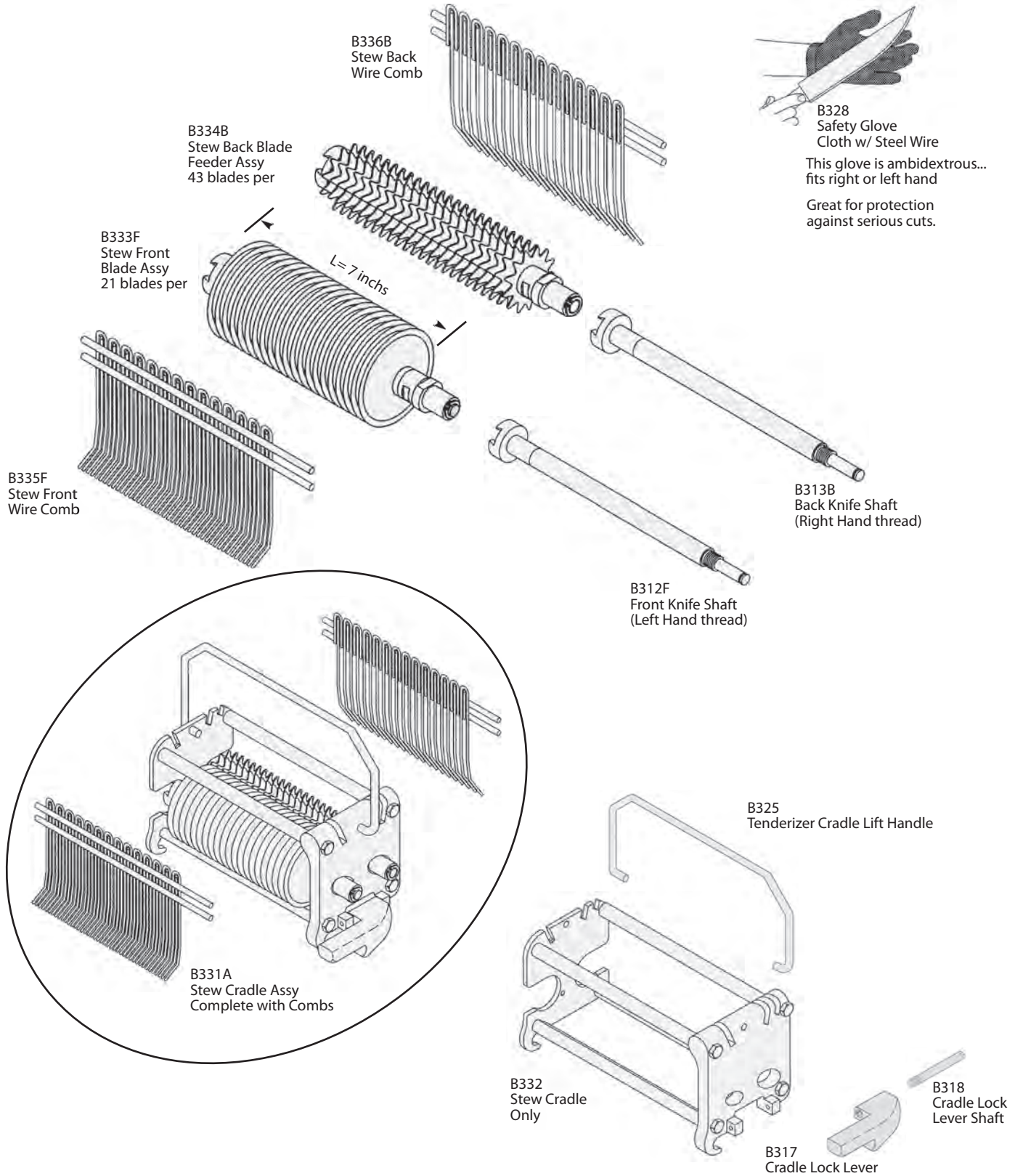
NBS P/N	OEM P/N	DESCRIPTION
B301F	T3116	Front Wire Comb
B302B	T3117	Back Wire Comb
B303	T3075	Snap Ring
B304F	T3181-1	Shaft Roller Bearing -Front
B305B	T3181-2	Shaft Roller Bearing -Back
B306F	T3082	Knife Shaft Nut -Front
B307B	T3083	Knife Shaft Nut -Back
B308	T3178	Auxiliary Spacer (10/pkg) .005" Thick
B309-139	T3031	Spacer- .139" Thick
B310	T3036	Tenderizer Knife Blades
B311	T3031-12	Cap Spacer
B312F	T3131	Front Knife Shaft With Coupling
B313B	T3132	Back Knife Shaft With Coupling
B314F	TA3131	Front Knife Shaft Assy
B315B	TA3132	Back Knife Shaft Assy
B316	T3130	Cradle
B317	T3247-1	Cradle Lock Lever
B318	T3157	Cradle Lock Lever Shaft
B320A	TA3130	Cradle Assy-complete
B321	T3200A	Interlock Switch
B322	T3105	Water Proof Cap
B323	T3186-4A	Toggle Switch
B324	T3101-2	Water Proof Cap
B325	T-3247-5	Tenderizer Cradle Lift Handle
B326	TA3096M-2	Tenderizer Safety Cover
B327	T3200M	Reed Switch
B329	T3064	Hinge Spring
B330	T3079-2	Motor Belt L=19" and W=1/2"
B341	T3066	Cover Hinge, Left and Right
B341	T3066	Cover Hinge, Left and Right B341
B342	T3185M-120	Relay
B343	T3079-2	Motor Belt, L= 18 3/16" and W=3/8" 2 Ribs
HX400	292592	Cleaning Fork



B342 Relay **NEW**

BIRO STEW / FAJITA CUTTER

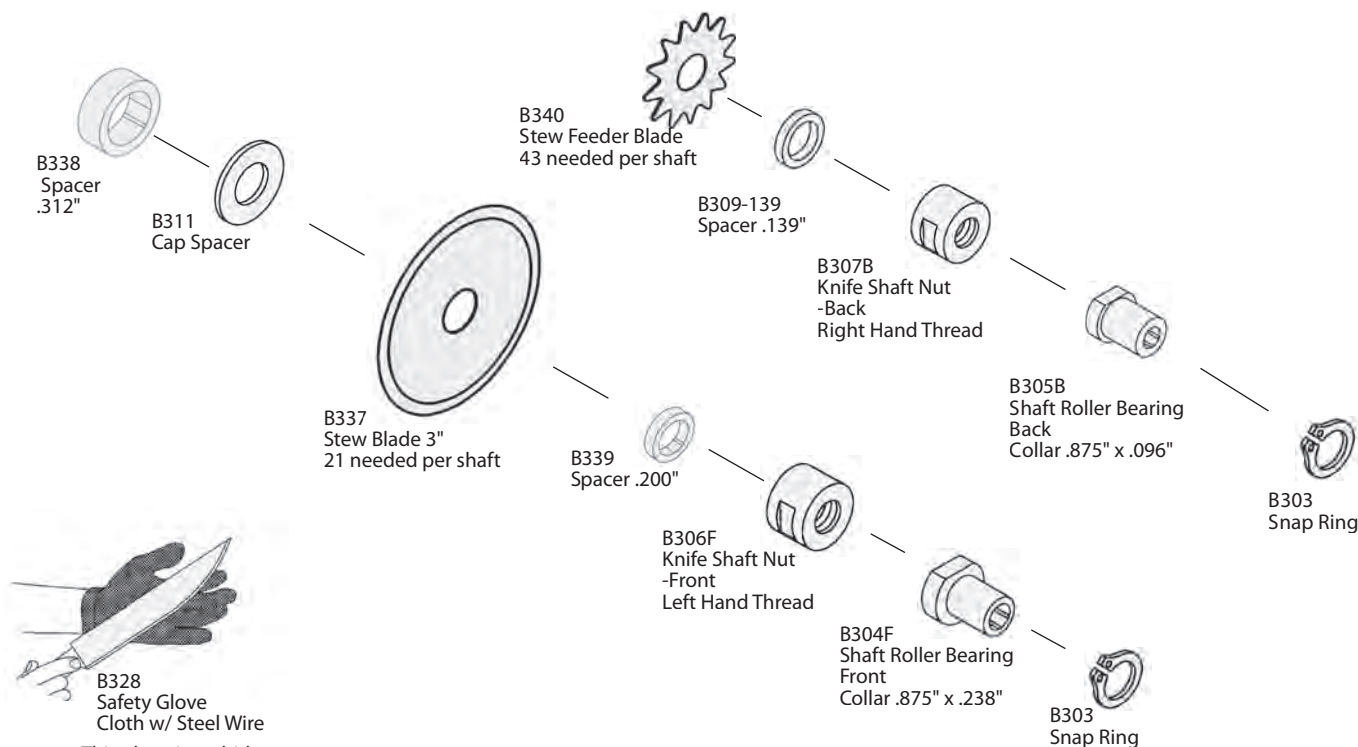
Fits PRO 9 - SIR STEAK
 STEW CRADLE 3/8" SPACING



TENDERIZERS

BIRO STEW / FAJITA CUTTER

Fits PRO 9 - SIR STEAK
 STEW CRADLE 3/8" SPACING




B328 Safety Glove Cloth w/ Steel Wire
 This glove is ambidextrous... fits right or left hand
 Great for protection against serious cuts.

Fits PRO 9 - SIR STEAK

NBS P/N	OEM P/N	DESCRIPTION
B303	T3075	Snap Ring
B304F	T3181-1	Shaft Roller Bearing -Front
B305B	T3181-2	Shaft Roller Bearing -Back
B306F	T3082	Knife Shaft Nut -Front
B307B	T3083	Knife Shaft Nut -Back
B309-139	T3031	Spacer- .139" Thick
B311	T3031-12	Cap Spacer
B312F	T3131	Front Knife Shaft With Coupling
B313B	T3132	Back Knife Shaft With Coupling
B317	T3247-1	Cradle Lock Lever
B318	T3157	Cradle Lock Lever Shaft
B325	T-3247-5	Tenderizer Cradle Lift Handle
B328		Safety Glove Cloth w/Steel Wire
B332	TA3130-1	Stew Cradle W/Lock and Handle
B333F	TA3130-5A	Stew Front Blade Assy
B334B	TA3132-20	Stew Back Blade Feeder Assy
B335F	T3116-5	Stew Front Wire Comb
B336B	T3117-5	Stew Back Wire Comb
B337	T3300	Stew Blade
B338	T3031-11	Spacer .312"
B339	T3031-11	Spacer .200"
B340	T3036-1	Stew Feeder Blade
B331A	TA3130-5A	Stew Cradle Assy w/Combs

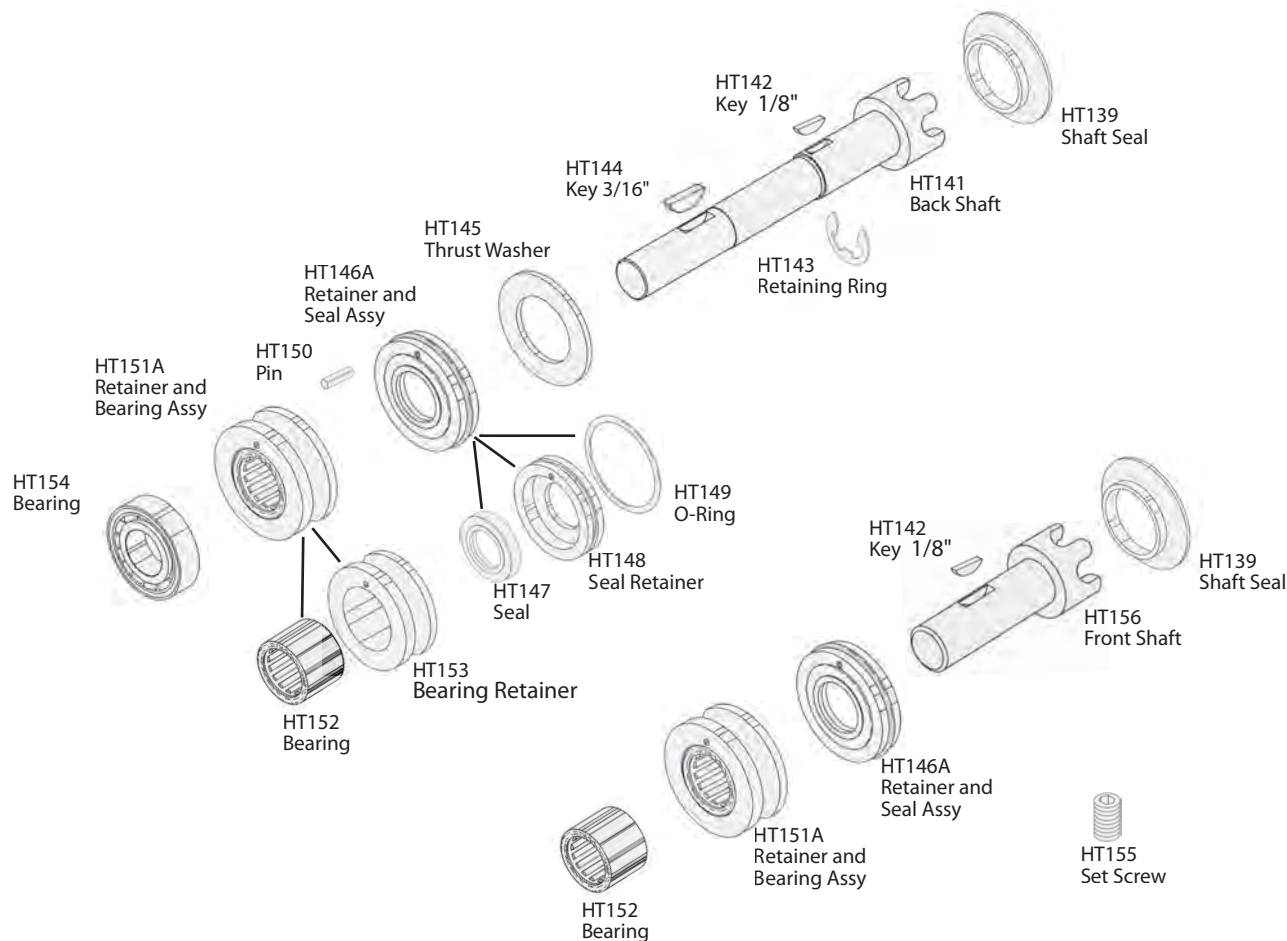
TENDERIZERS

NOTES: _____

HOBART TENDERIZER

Fits 401 & 403

DRIVE UNIT



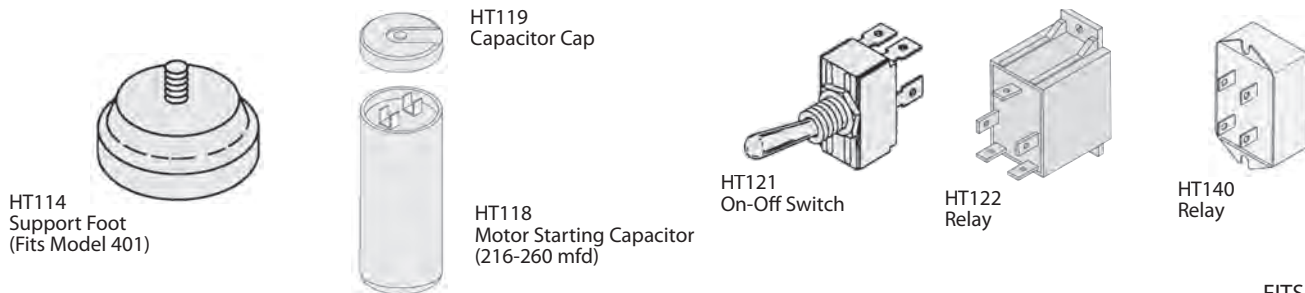
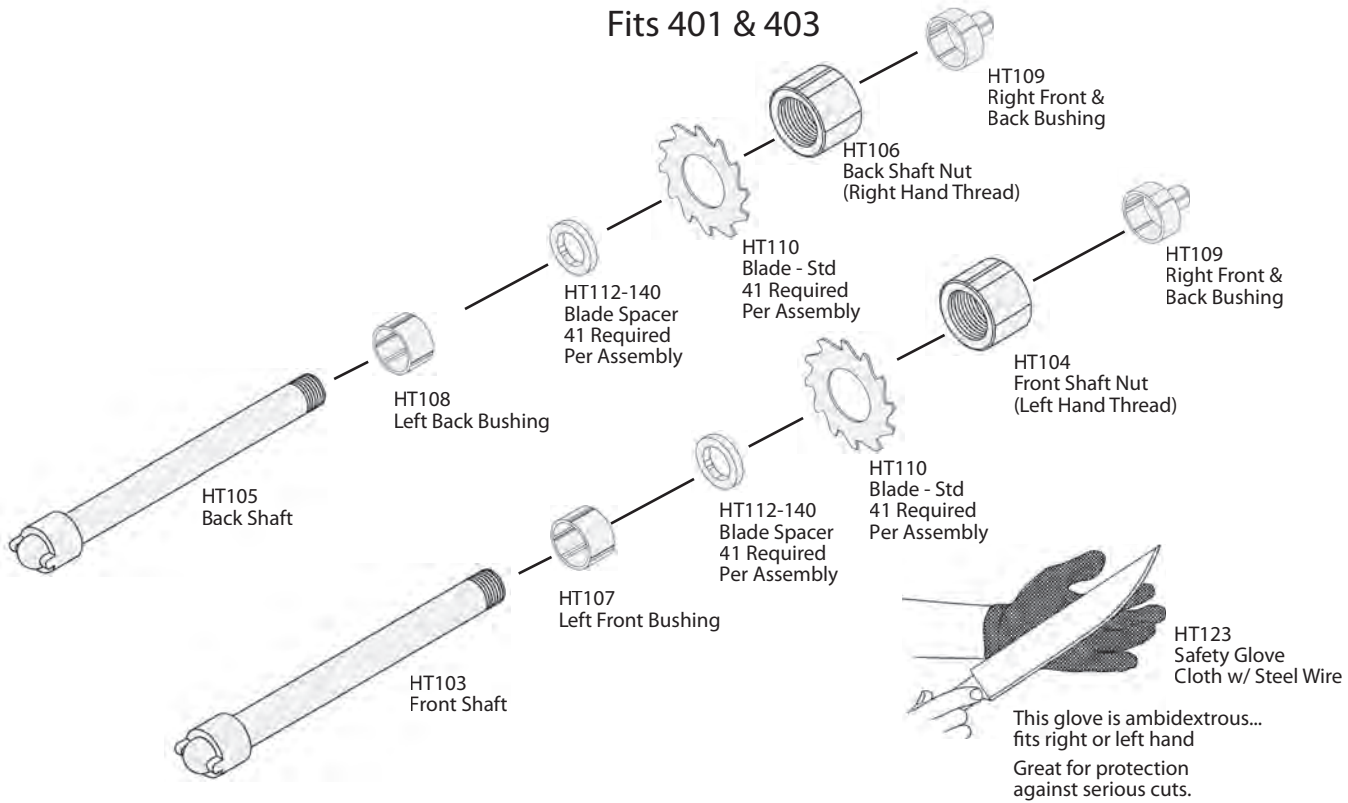
FITS MODELS

NBS P/N	OEM P/N	DESCRIPTION	401	403
HT139	69337	Face Seal	X	X
HT141	69361	Back Shaft	X	X
HT142	KW-003-03	Key 1/8"	X	X
HT143	RR-006-09	Retaining Ring	X	X
HT144	KW-003-10	Key 3/16"	X	X
HT145	292675	Thrust Bearing - Plastic Shim	X	X
HT146A	292681	Retainer and Seal Assy	X	X
HT147	N/A	Seal (292681)	X	X
HT148	N/A	Seal Retainer (292681)	X	X
HT149	67500-00069	O-Ring	X	
HT150	N/A	Roll Pin	X	X
HT151A	292680	Retainer and Bearing Assy	X	X
HT152	BN-5-3	Needle Bearing		X
HT153	N/A	Bearing Retainer		X
HT154	BB-020-20	Bearing - Ball	X	X
HT155	SC-121-27	Set Screw 10-24	X	X
HT156	69362	Front Shaft	X	X

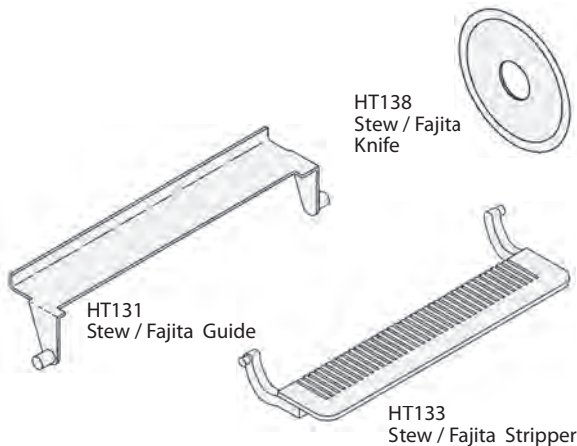
TENDERIZERS

HOBART TENDERIZER

Fits 401 & 403



Fits the Stew / Fajita Cutting Unit



FITS MODELS

NBS P/N	OEM P/N	DESCRIPTION	401	403
HT103	292088	Front Shaft	X	X
HT104	292098	Front Shaft Nut (Left Hand Thread)	X	X
HT105	292089	Back Shaft	X	X
HT106	292099	Back Shaft Nut (Right Hand Thread)	X	X
HT107	292102	Left Front Bushing	X	X
HT108	292103	Left Back Bushing	X	X
HT109	292101	Right Front & Back Bushing	X	X
HT110	B123955	Blade - Std	X	X
HT112-140	292097-1	Blade Spacer .140" Thick	X	X
HT114	83681	Support Foot	X	
HT118	70487-3	Motor Starting Capacitor	X	X
HT119	70486-1	Capacitor Cap	X	X
HT121	87711-148-1	On-Off Switch		X
HT122	87714-035-1	Relay		X
HT123		Safety Glove Cloth w/Steel Wire	X	X
HT131	293197	Stew / Fajita Guide	X	X
HT133	293192	Stew / Fajita Stripper	X	X
HT138	292095	Stew / Fajita Knife	X	X
HT140	76850-1	Relay (76850-1)	X	X

HOBART TENDERIZER

Fits 401 & 403

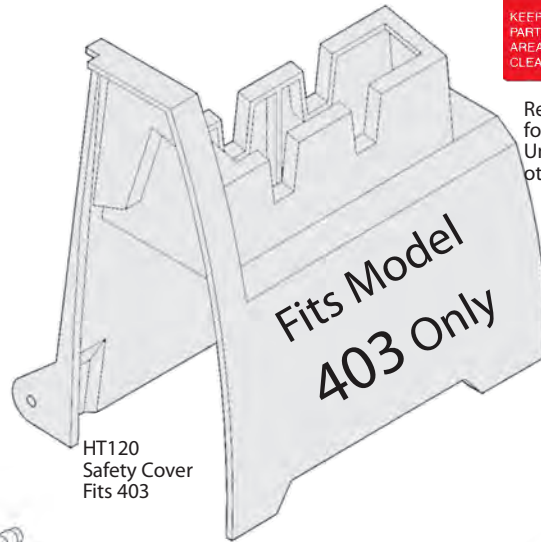
P/N Sticker
Caution



P/N Sticker
Warning



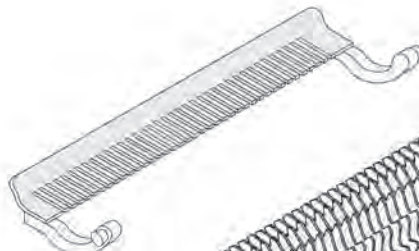
HT123
Safety Glove
Cloth w/ Steel Wire
This glove is ambidextrous...
fits right or left hand



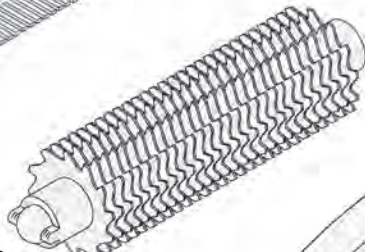
HT120
Safety Cover
Fits 403

Replacement Caution Sticker
for Tenderizer Safety Covers,
Universal, Can be used for
other applications

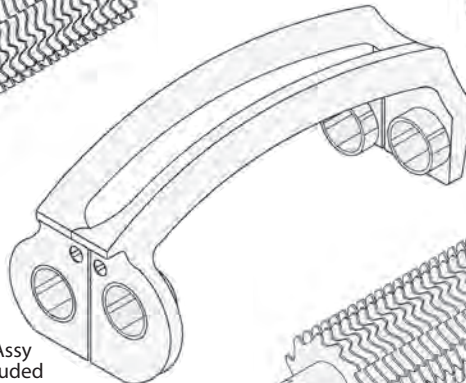
Replacement Warning Sticker
for Tenderizer Safety Covers,
Universal, Can be used for
other applications



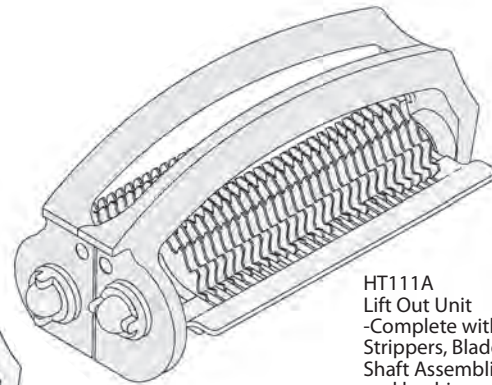
HT102B
Back Stripper
Stainless Steel



HT117B
Blade Shaft Assy -
Back
41 blades per shaft
assembly



HT100
Hanger Sub-Assy
Bushings included



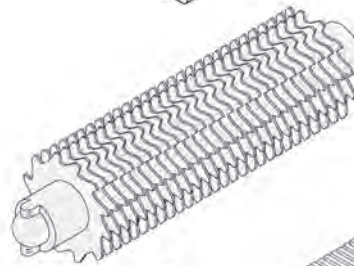
HT111A
Lift Out Unit
-Complete with
Strippers, Blade
Shaft Assemblies
and bushings.

YOU CAN USE THIS TOOL
DURING CLEAN UP TO
REMOVE MEAT PARTICLES
FROM BETWEEN TENDERIZ-
ING BLADES.

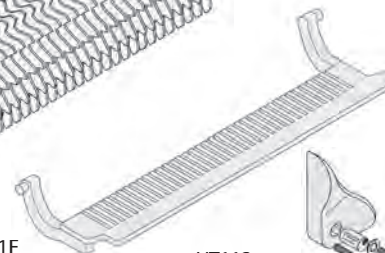


HX400
Cleaning Fork

HT116F
Blade Shaft Assy -
Front
41 blades per shaft
assembly



HT101F
Front Stripper
Stainless Steel



HT113
Hanger Lock -
Includes Hardware



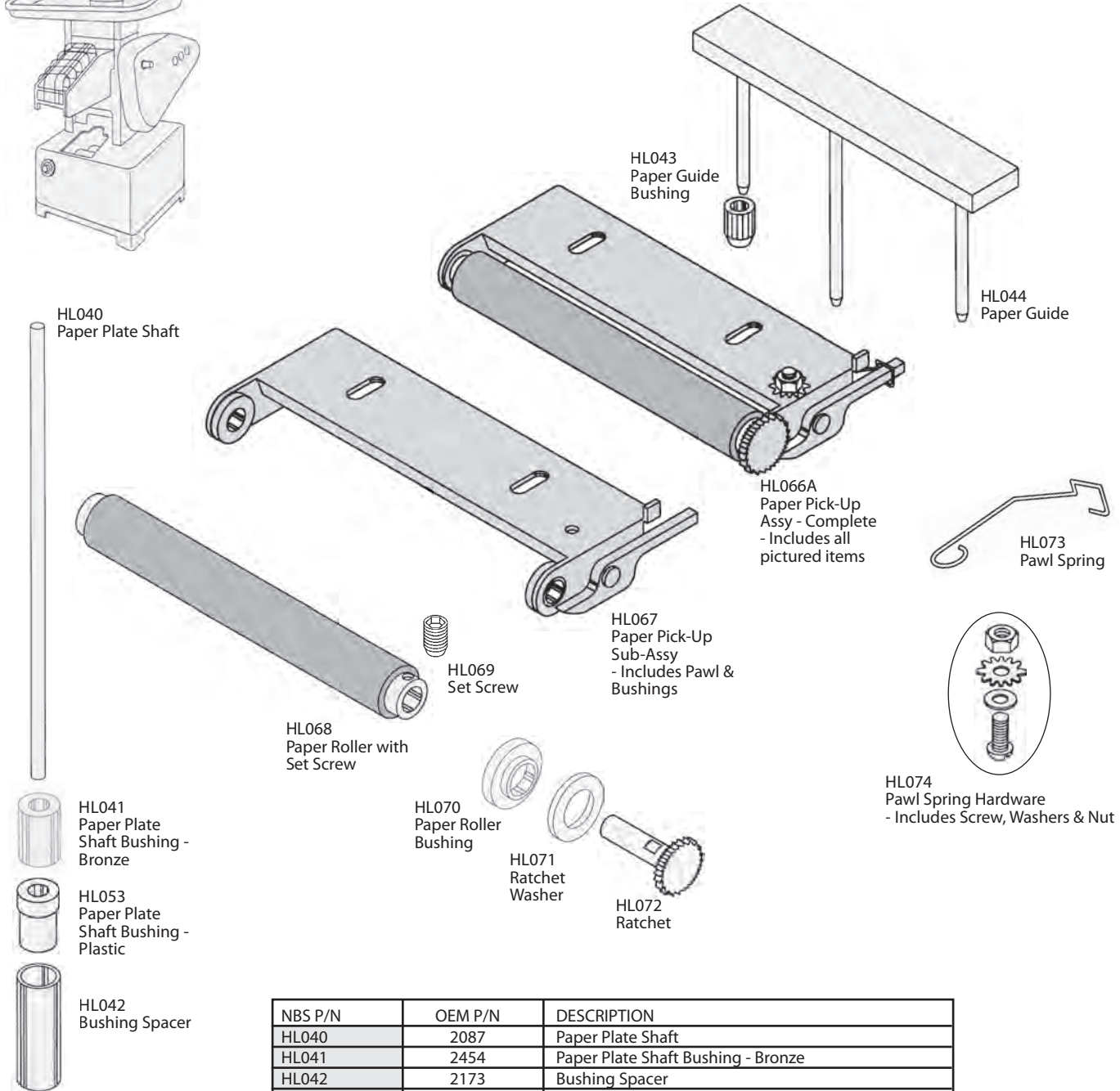
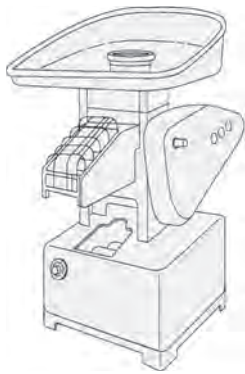
HT124
Hanger Lock Hardware

FITS MODELS

NBS P/N	OEM P/N	DESCRIPTION	400	401	403
HT100	D-290025	Hanger Sub Assy		X	X
HT101F	D-124990	Front Stripper	X	X	X
HT102B	292106	Back Stripper	X	X	X
HT111A	295730 / M339132	Lift Out Unit for Hobart	X	X	X
HT113	292595	Hanger Lock - Includes Hardware	X	X	X
HT116F	292083	Blade Shaft Assy - Front		X	X
HT117B	292084	Blade Shaft Assy - Back		X	X
HT120	270348	Safety Cover			X
HT122	87714-035-1	Relay			X
HT124	N/A	Hardware, Hanger Lock	X	X	X
HX400	292592	Cleaning Fork	X	X	X

TENDERIZERS

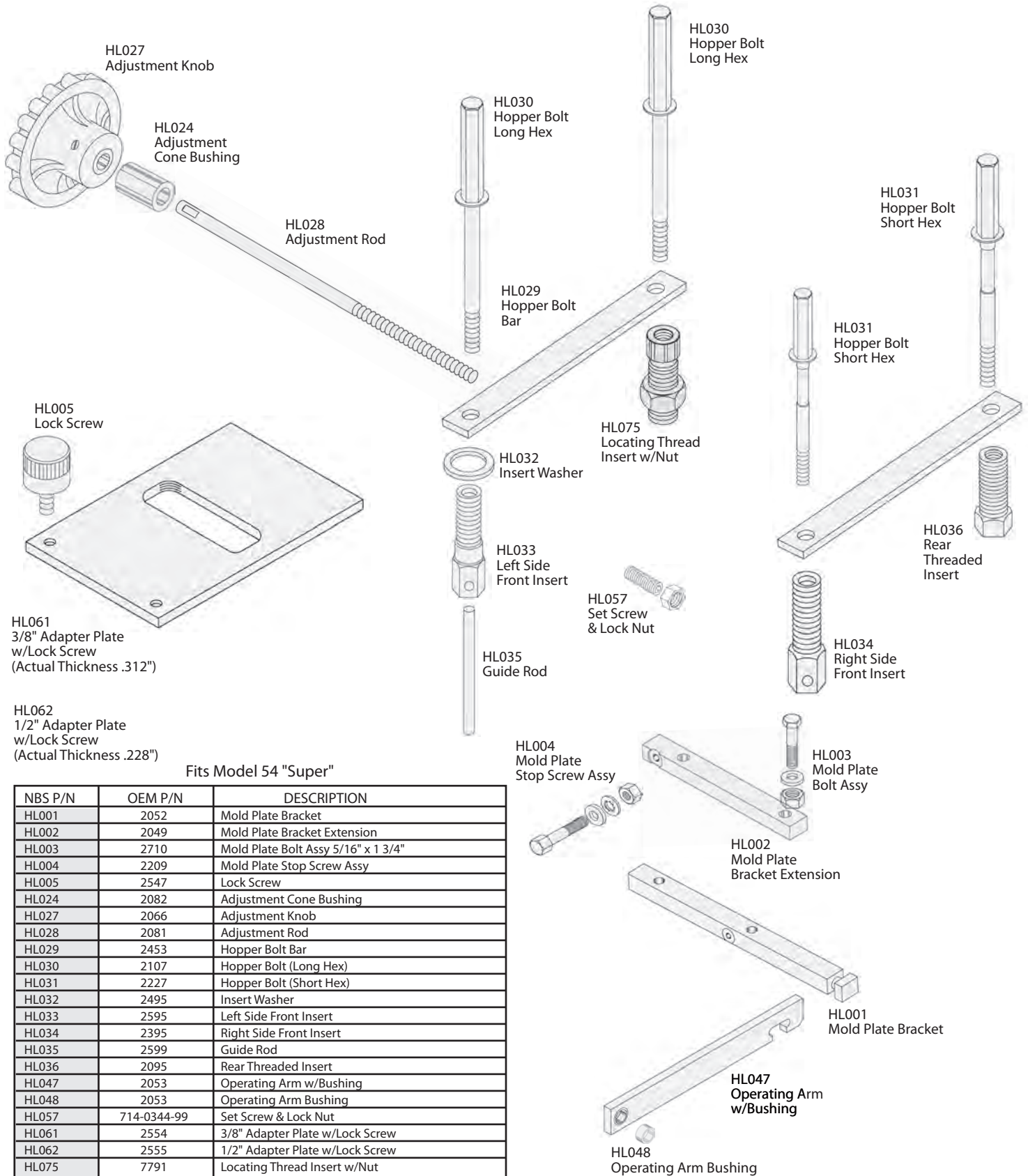
HOLLYMATIC® Model 54 "Super" Patty Machine



NBS P/N	OEM P/N	DESCRIPTION
HL040	2087	Paper Plate Shaft
HL041	2454	Paper Plate Shaft Bushing - Bronze
HL042	2173	Bushing Spacer
HL043	2072	Paper Guide Bushing
HL044	2210	Paper Guide
HL053	2454	Paper Plate Shaft Bushing - Plastic
HL066A	2377	Paper Pick-Up Roller Assy - Complete
HL067	2386	Paper Pick-Up Roller Sub-Assy
HL068	2380	Paper Roller with Set Screw
HL069	712-0140-99	Set Screw
HL070	2374	Paper Roller Bushing
HL071	2382	Ratchet Washer
HL072	2373	Ratchet
HL073	2384	Pawl Spring
HL074	2484	Pawl Spring Hardware



HOLLYMATIC® Model 54 "Super" Patty Machine

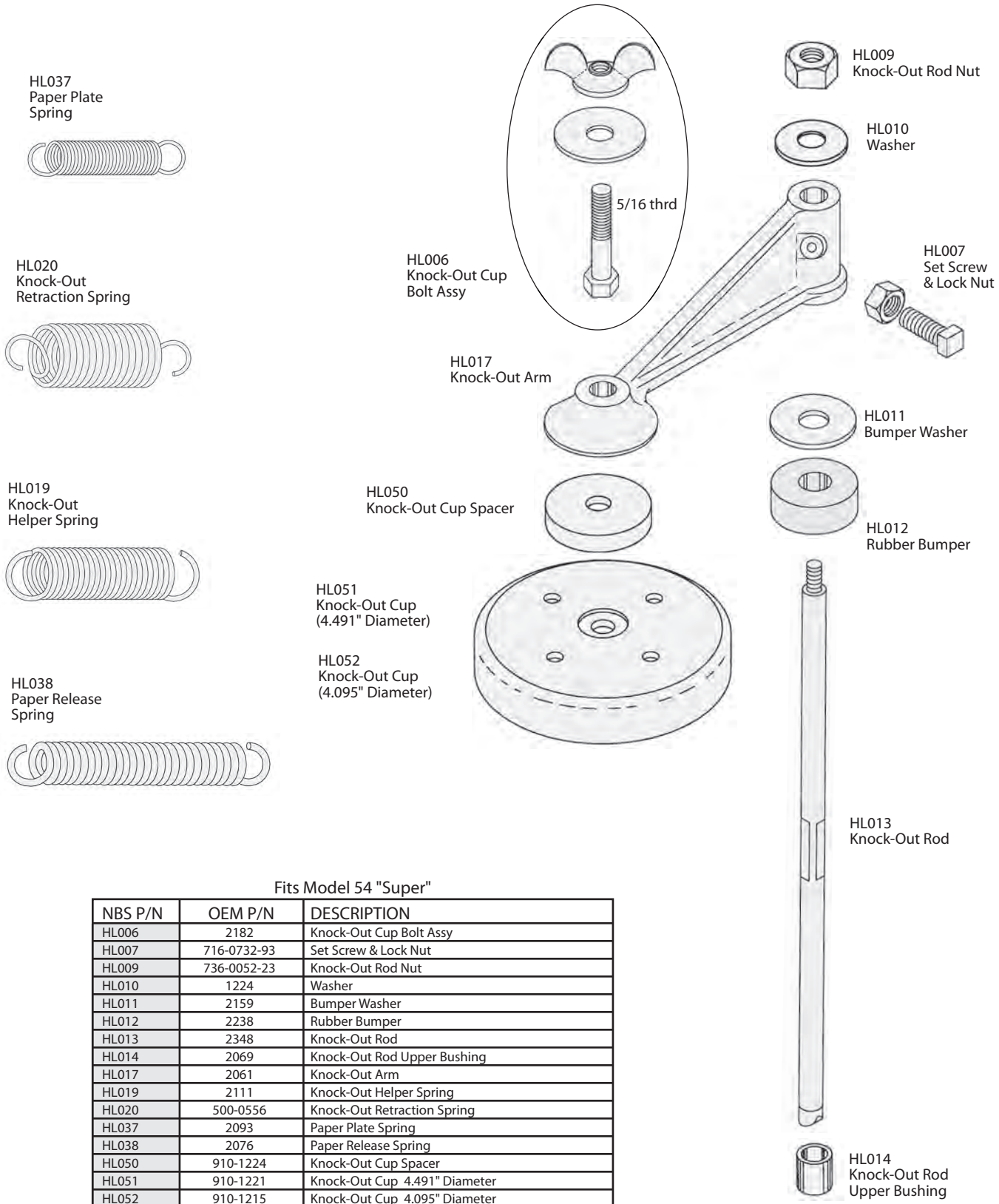


Fits Model 54 "Super"

NBS P/N	OEM P/N	DESCRIPTION
HL001	2052	Mold Plate Bracket
HL002	2049	Mold Plate Bracket Extension
HL003	2710	Mold Plate Bolt Assy 5/16" x 1 3/4"
HL004	2209	Mold Plate Stop Screw Assy
HL005	2547	Lock Screw
HL024	2082	Adjustment Cone Bushing
HL027	2066	Adjustment Knob
HL028	2081	Adjustment Rod
HL029	2453	Hopper Bolt Bar
HL030	2107	Hopper Bolt (Long Hex)
HL031	2227	Hopper Bolt (Short Hex)
HL032	2495	Insert Washer
HL033	2595	Left Side Front Insert
HL034	2395	Right Side Front Insert
HL035	2599	Guide Rod
HL036	2095	Rear Threaded Insert
HL047	2053	Operating Arm w/Bushing
HL048	2053	Operating Arm Bushing
HL057	714-0344-99	Set Screw & Lock Nut
HL061	2554	3/8" Adapter Plate w/Lock Screw
HL062	2555	1/2" Adapter Plate w/Lock Screw
HL075	7791	Locating Thread Insert w/Nut



HOLLYMATIC® Model 54 "Super" Patty Machine

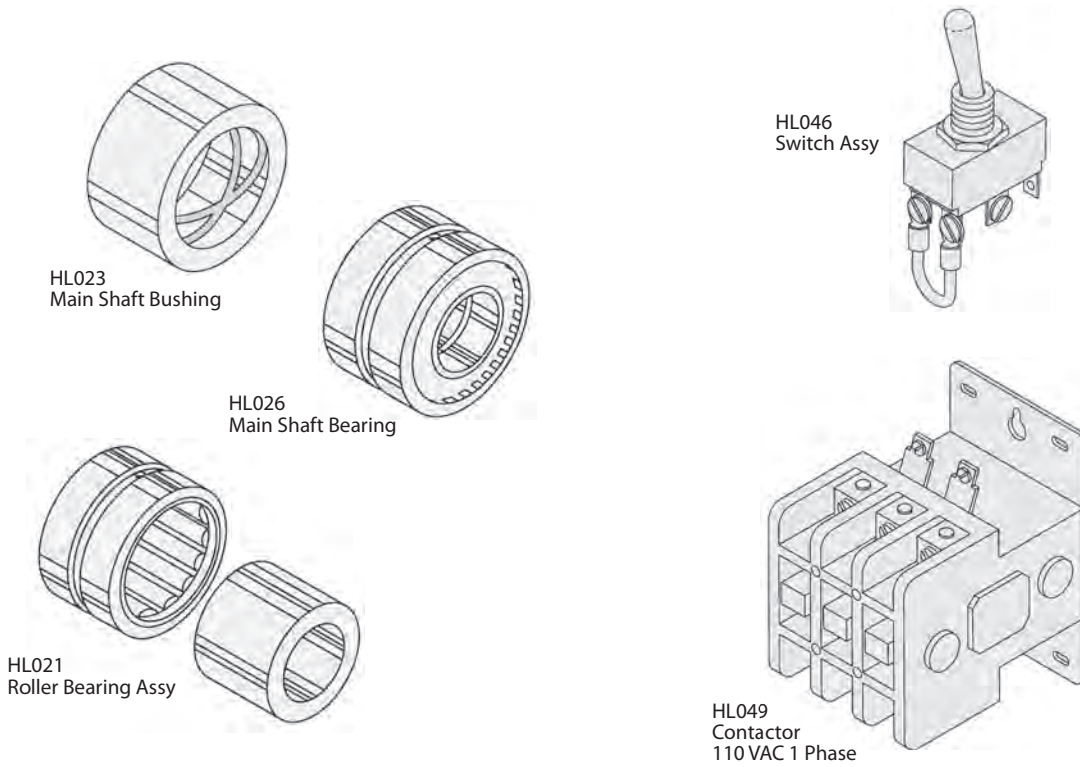


Fits Model 54 "Super"

NBS P/N	OEM P/N	DESCRIPTION
HL006	2182	Knock-Out Cup Bolt Assy
HL007	716-0732-93	Set Screw & Lock Nut
HL009	736-0052-23	Knock-Out Rod Nut
HL010	1224	Washer
HL011	2159	Bumper Washer
HL012	2238	Rubber Bumper
HL013	2348	Knock-Out Rod
HL014	2069	Knock-Out Rod Upper Bushing
HL017	2061	Knock-Out Arm
HL019	2111	Knock-Out Helper Spring
HL020	500-0556	Knock-Out Retraction Spring
HL037	2093	Paper Plate Spring
HL038	2076	Paper Release Spring
HL050	910-1224	Knock-Out Cup Spacer
HL051	910-1221	Knock-Out Cup 4.491" Diameter
HL052	910-1215	Knock-Out Cup 4.095" Diameter

Hollymatic is a registered Trade Mark of the Hollymatic Corporation.

HOLLYMATIC® Model 54 "Super" Patty Machine

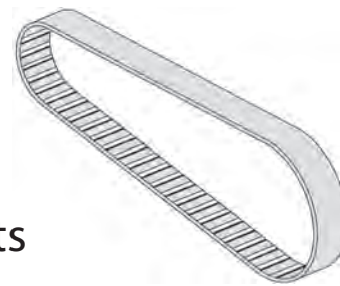


Fits Model 54 "Super"

NBS P/N	OEM P/N	DESCRIPTION
HL021	2457	Roller Bearing Assy
HL023	2102	Main Shaft Bushing
HL026	2002	Main Shaft Bearing
HL046	7147	Switch Assy
HL049	7727	Contactor, 110 VAC 1 Phase

BELTS

Drive Belt & Paper Feed Timing Belts



Fits Model 54 "Super"

NBS P/N	OEM P/N	DESCRIPTION	LENGTH
HL045	2161	Standard Drive Belt	L = 24"
HL076	7856	Paper Feed Belt, 95T, .08 Pitch	L = 7 5/8"
HL077	7860	Paper Feed Belt, 50T, .02 Pitch	L = 10"
HL078	7861	Paper Feed Belt, 75T, .02 Pitch	L = 15"
HL079	7862	Paper Feed Belt, 85T, .02 Pitch	L = 17 1/4"
HL080	7863	Paper Feed Belt, 55T, .02 Pitch	L = 11"

Hollymatic is a registered Trade Mark of the Hollymatic Corporation.

MIXER BOWLS
Fits HOBART
STAINLESS STEEL



MB12
12 QT
10 3/4" ID
10" Height



MB20
20 QT
12 1/2" ID
11 1/2" Height



MB30
30 QT
14" ID
13 1/2" Height



MB40
40 QT
14" ID
17" Height



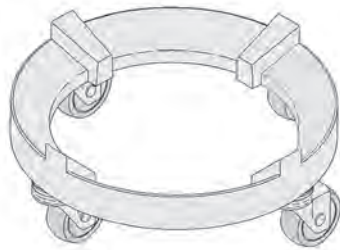
MB60
60 QT
18" ID
17" Height



MB140
140 QT
22 1/2" ID
26" Height



MB80
80 QT
20" ID
18 1/2" Height



HM2052
Bowl Truck
Cast Iron
(Fits 60, 80 & 140 QT)
16 1/2" Diameter



HM2053
Caster 3"
3", 14TPI



HM2064
Mixing Bowl Scraper

PARTS

NBS P/N	OEM P/N	Description	FITS
HM2052	315011 / 875748	BOWL TRUCK	60, 80 & 140
HM2053	087668 / 876669	CASTER	HM2052 BOWL TRUCK
HM2054	N/A	Mixing Bowl Scraper	Universal with Any Bowl

PLEASE READ



Check bowl dimensions prior to ordering to insure compatability. Some models take multiple size bowls.

BOWLS

QUART CAPACITY	NBS P/N	OEM P/N	FITS
12	MB12	295643	A120
20	MB20	275683	A200, A200-DT, A200-F, A200-FD, L20, D340
30	MB30	437410	D300, D300-DT, D330, D340
40	MB40	315245	D340, H600, H600D, P660, L800, L800U, M802, V1401, V1401U, Legacy Bowls and 30 - 80 quart Univex Bowls
60	MB60	27688	H600, H600D, L800, L800D, M802 P660, V1401, V1401U
80	MB80	275690	L800, L800D, M802, T801 V1401, V1401U
140	MB140	917140	HL800, HL1400N, V1401, V1401U

OUR BOWLS WILL ALSO FIT THE OTHER MIXERS LISTED...

QUART CAPACITY	NBS P/N	FITS
20	MB20	BERKEL BA20 INTEDGE MX20 MCGRAW EDISON 5020 POWERMASTER A20 THUNDERBIRD ARM-02 TOASTMASTER A200
30	MB30	INTEDGE MX30 TOLEDO 5030
60	MB60	INTEDGE MX60

MIXER ACCESSORIES

Fits HOBART



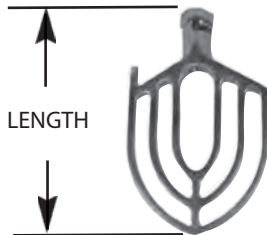
J DOUGH HOOK "E"

QUART CAPACITY	NBS P/N	OEM P/N	FITS
20	MJ20	275465 / 295119	A200, D340
30	MJ30	295120	D300, D340
60	MJ60	295175	H600-60QT, L800-60QT



SPIRAL DOUGH HOOK "ED"

QUART CAPACITY	NBS P/N	OEM P/N	FITS
20	MS20	477521	A200, D340
30	MS30	478596	D300, D340
60	MS60	295174	H600, H600D, P660 - 60QT, L800
80	MS80	437701	L800 - 80 QT



FLAT PADDLE "B"

QUART CAPACITY	NBS P/N	OEM P/N	FITS	SHAFT	WIDTH DIA	LENGTH
20	MF20	275461 / 275459	A200, D340	1.0	8 1/4"	13"
30	MF30	275450	D300, D340	1 1/8"	9 1/2"	16"
60	MF60	275885	H600	1 1/2"	11 1/2"	20"
80	MF80	275448	L800	1 1/2"	13 1/2"	21"
140	MF140	275883	V1401 CLASSIC	1 1/2"	16"	25 1/2"



PASTRY PADDLE "P"

QUART CAPACITY	NBS P/N	OEM P/N	FITS
20	MP20	295036	A200

STAINLESS
STEEL

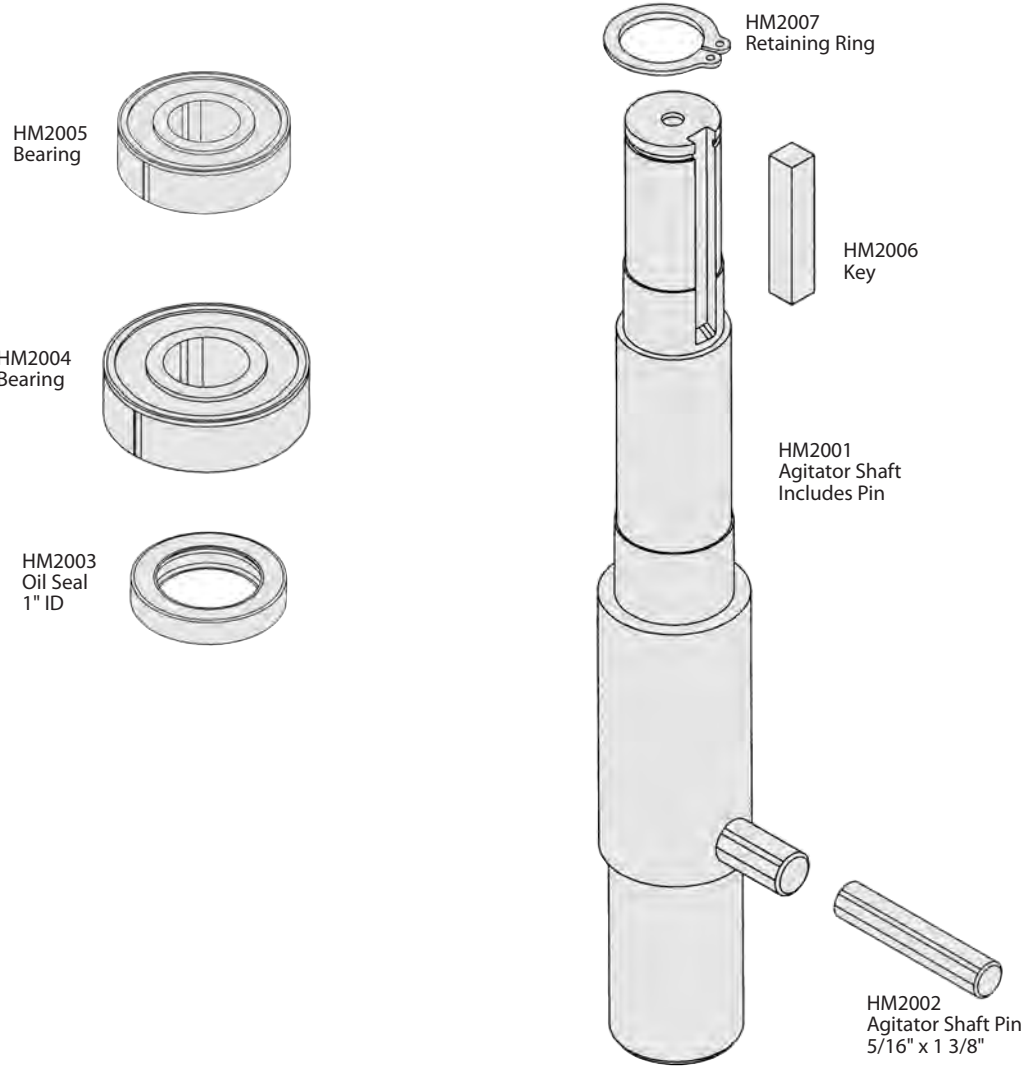


WIRE WHIP "D"

QUART CAPACITY	NBS P/N	OEM P/N	FITS
20	MW20	275897	A200, D340
30	MW30	295163 / 275899	D300, D340
60	MW60	295154	H600
80	MW80	295149	L800

AGITATOR SHAFT & COMPONENTS

Fits HOBART
MODEL A-200

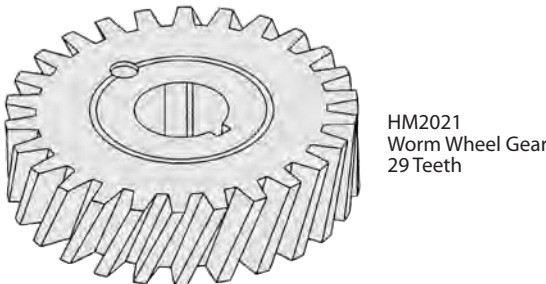
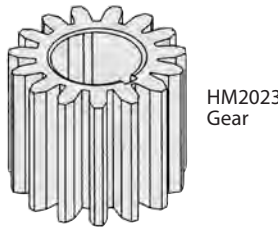
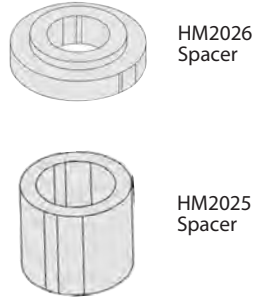
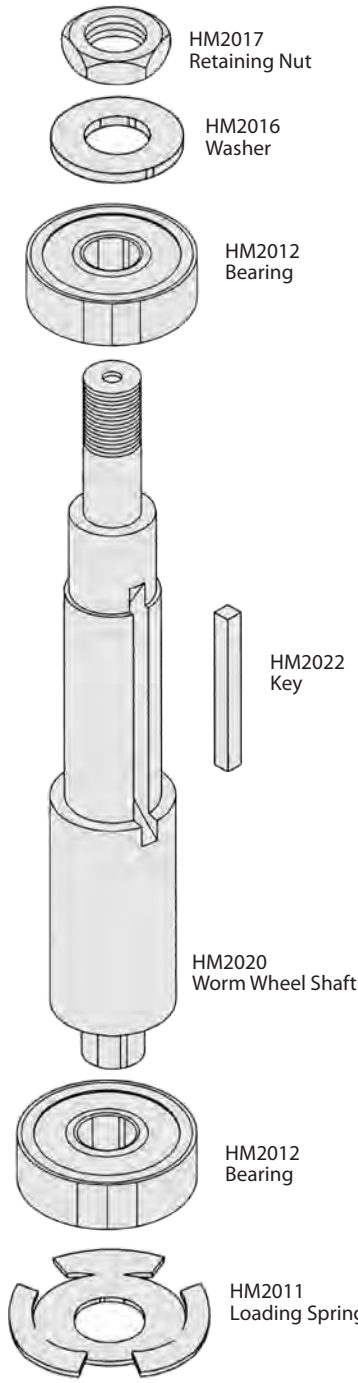


FITS MODELS

NBS P/N	OEM P/N	DESCRIPTION	A-120	A-200
HM2001	113936	Agitator Shaft		X
HM2002	65062-1	Agitator Shaft Pin 5/16" x 1 3/8"		X
HM2003	23482	Oil Seal 1" ID		X
HM2004	BB-20-6	Bearing		X
HM2005	BB-17-12	Bearing		X
HM2006	12430-55	Key		X
HM2007	RR-004-18	Retaining Ring	X	X

WORM WHEEL SHAFT & COMPONENTS

Fits HOBART
MODELS #A-120, A-200



MB12
12 QT
10 3/4" ID
10" Height

MB20
20 QT
12 1/2" ID
11 1/2" Height

See pages 50 for Bowls and 51 for Accessory Atachements



MS20
Spiral Dough
Hook



MF20
Flat Paddle "B" Style

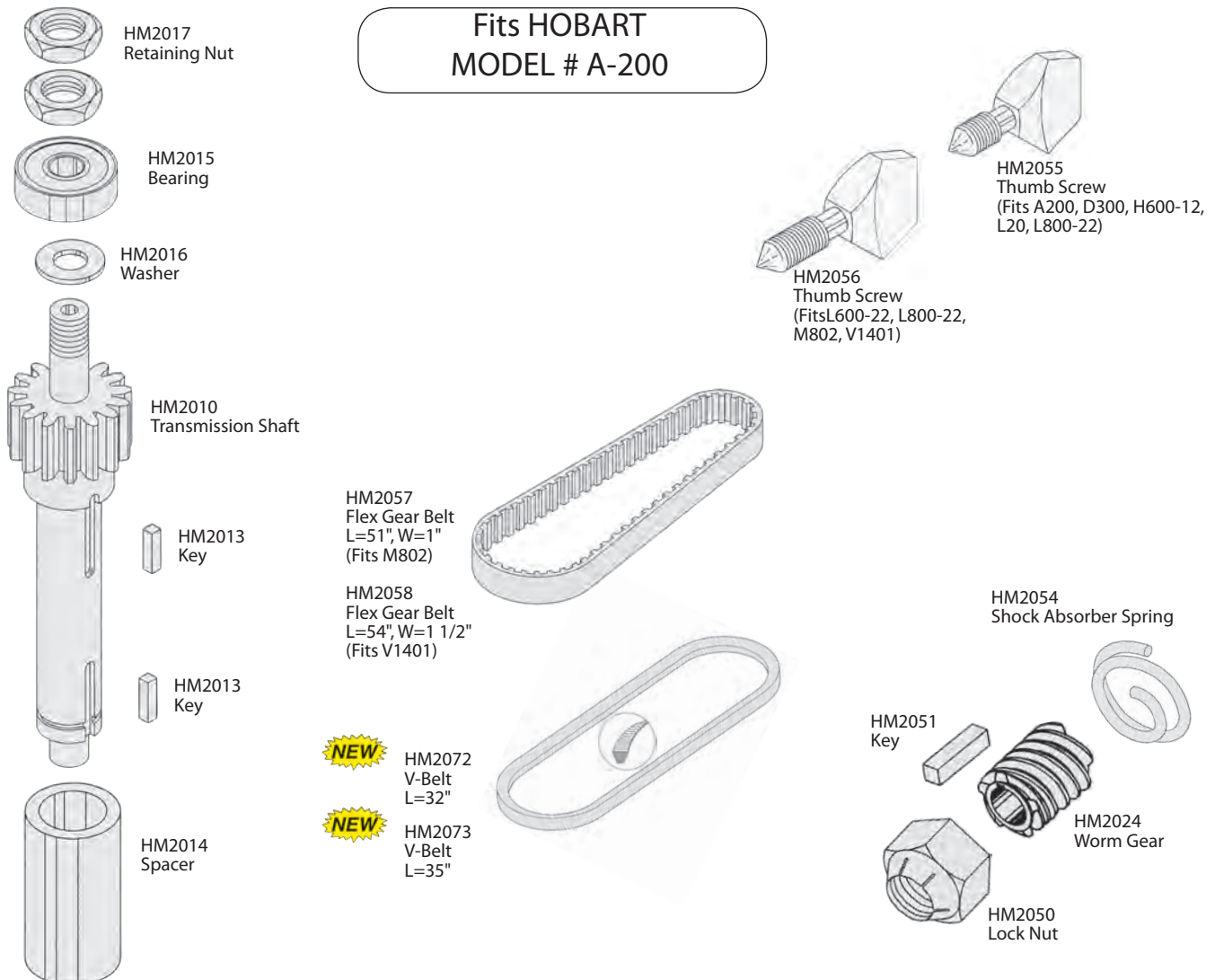


MW20
Wire Whip
Stainless Steel

NBS P/N	OEM P/N	DESCRIPTION	FITS MODELS	
			A-120	A-200
HM2011	SL-02-08	Loading Spring	X	X
HM2012	BB-005-01	Bearing	X	X
HM2016	WS-006-36	Washer	X	X
HM2017	12710	Retaining Nut	X	X
HM2020	291128	Worm Wheel Shaft	X	X
HM2021	124751-3	Worm Wheel Gear	X	X
HM2022	12430-4	Key	X	X
HM2023	124748	Gear	X	X
HN2025	124765-1	Spacer	X	X
HM2026	124745	Spacer	X	X

TRANSMISSION SHAFT & COMPONENTS

Fits HOBART
MODEL # A-200



FITS MODELS

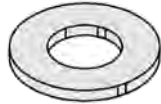
NBS P/N	OEM P/N	DESCRIPTION	A-120	A-200	D300	M802	V1401
HM2007	RR-004-18	Retaining Ring		X			
HM2010	291236	Transmission Shaft	X	X			
HM2011	SL-02-08	Loading Spring		X			
HM2012	BB-005-01	Bearing		X			
HM2013	435297	Key	X	X			
HM2014	12697	Spacer	X	X			
HM2015	BB-005-02	Bearing		X			
HM2016	WS-6-36	Washer		X			
HM2017	12710	Retaining Nut		X			
HM2024	291221	Worm Gear	X	X	X		
HM2050	NS-32-23	Lock Nut	X	X	X		
HM2051	12747	Key	X	X			
HM2054	12757	Shock Absorber Spring	X	X	X		
HM2055	108197-1	Thumb Screw	X	X	X		
HM2056	108197-2	Thumb Screw				X	X
HM2057	65107	Flex Gear Belt				X	
HM2058	68043	Flex Gear Belt					X
HM2072	BV-013-18	V-Belt				X	X
HM2073	BV-013-17	V-Belt				X	X

PLANETARY SHAFT & COMPONENTS

Fits HOBART
MODELS #A-120, A-200



HM2047
Stop Nut



HM2046
Washer



HM2030
Planetary Shaft
-New Style



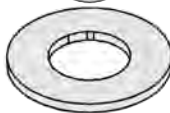
HM2045
Key



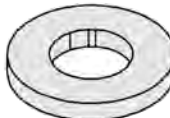
HM2039
Key



HM2037
Key



HM2031
Fiber Washer



HM2032
Retaining Washer



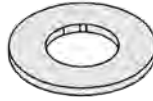
HM2033
Special Nut



HM2034
Acorn Nut



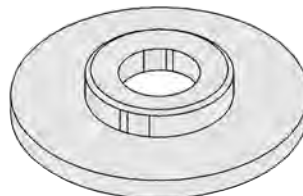
HM2044
Bearing



HM2041
Shim .001"

HM2042
Shim .003"

HM2043
Shim .010"



HM2040
Spacer



HM2038
Clutch Gear Bearing



HM2004
Bearing



HM2036
O-Ring



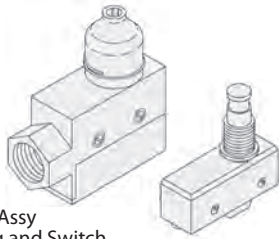
HM2035
Oil Seal

FITS MODELS

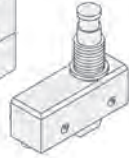
NBS P/N	OEM P/N	DESCRIPTION	A-120	A-200
HM2004	BB-20-6	Bearing		X
HM2030	124734	Planetary Shaft	X	X
HM2031	124946	Fiber Washer	X	X
HM2032	WS-024-01	Retaining Washer	X	X
HM2033	10928-2	Special Nut	X	X
HM2034	24715-3	Acorn Nut	X	X
HM2035	114695	Oil Seal	X	X
HM2036	67500-78	O-Ring		X
HM2037	12430-17	Key	X	X
HM2038	12695	Clutch Gear Bearing		X
HM2039	12430-59	Key	X	X
HM2040	107145	Spacer	X	X
HM2041	WS-10-18	Shim .001"	X	X
HM2042	WS-10-19	Shim .003"	X	X
HM2043	WS-10-20	Shim .010"	X	X
HM2044	BB-20-18	Bearing	X	X
HM2045	109070-2	Key	X	X
HM2046	WS-8-13	Washer	X	X
HM2047	NS-32-29	Stop Nut	X	X

ELECTRICAL COMPONENTS

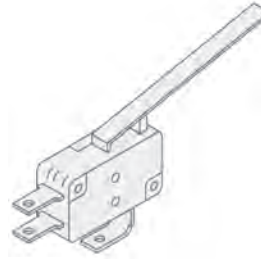
HM2070
Interlock Switch Assy
Includes Housing and Switch



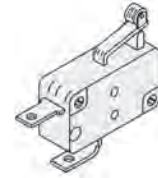
HM2071
Interlock Switch Only



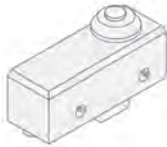
HM2062
Switch
fits... A200



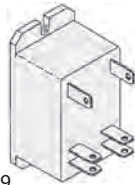
HM2061
Switch
fits... L20



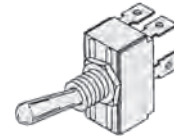
HM2063
Switch
fits...H600, L800



HM2059
Relay
fits... L20, A120,
A200



HM2060
Start Switch
fits... L20, A120,
A200, D300



HM100
On-Off Switch
- Special Circuit
Momentary On



HM2069
Capacitor
145-174 mfd
fits... A200



HM2068
Capacitor Cap



HM2065
Capacitor
650-750 mfd
fits...H600, L800, M802



HM2067
Capacitor Cap



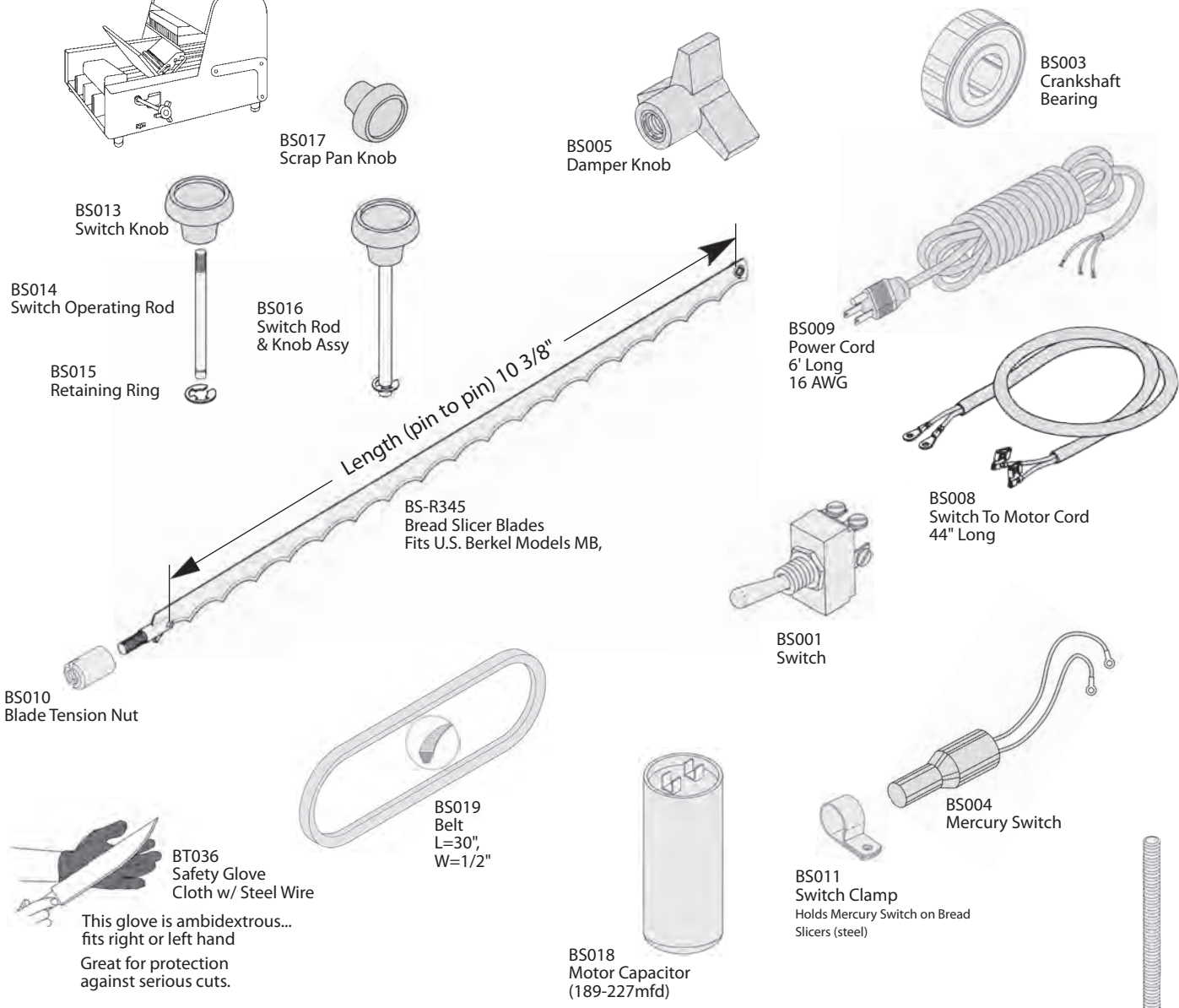
HM2066
Capacitor
243 -292 mfd
fits...D300, L20

FITS MODELS

NBS P/N	OEM P/N	DESCRIPTION	A120	A200	D300	H600	L20	L600	L800	M802
HM100	875567	On-Off Switch	X	X						
HM2059	87714-042-1	Relay	X	X			X			
HM2060	271612-2	Start Switch	X	X	X		X			
HM2061	87711-201-2	Switch					X			
HM2062	87711-248	Switch		X						
HM2063	87711-71-1	Switch				X			X	
HM2065	70487-9	Capacitor				X			X	X
HM2066	70487-1	Capacitor			X		X			
HM2067	70486-2	Capacitor Cap			X		X			X
HM2068	70486-3	Capacitor Cap				X			X	
HM2069	70487-18	Capacitor		X						
HM2070	87711-060-1	Interlock Switch - Assy				X			X	
HM2071	87711-060-1	Interlock Switch - Only				X			X	

MIXERS/
BREAD SLICERS

BERKEL BREAD SLICERS



FITS MODELS

NBS P/N	OEM P/N	DESCRIPTION	MB	GMB
BS001	2675-0028	Switch	X	X
BS002	A3000-1	Rubber Foot	X	
BS003	2374-0010	Chankshaft Bearing	X	X
BS004	2675-0646	Mercury Switch	X	
BS005	2275-0063	Damper Knob		X
BS006	4575-0208	Shoe Post		X
BS007	3675-0061	Shoe		X
BS008	4175-0032	Switch to Motor Cord	X	X
BS009	4175-0031	Power Cord	X	X
BS010	3375-0990	Blade Tension Nut	X	X
BS011	3675-0219	Switch Clamp	X	X
BS013	4903-1F	Switch Knob	X	X
BS014	7325-8C	Switch Operating Rod	X	X
BS015	N/A	Retaining Ring	X	X
BS016	4975-9165	Switch Rod & Knob Assy	X	X
BS017	4903-1F	Scrap Pan Knob	X	X
BS018	N/A	Motor Starting Capacitor	X	X
BS019	2375-0120	Belt	X	X
BSR345	A-07333-5	Bread Slicer Blades (6/pkg)	X	X

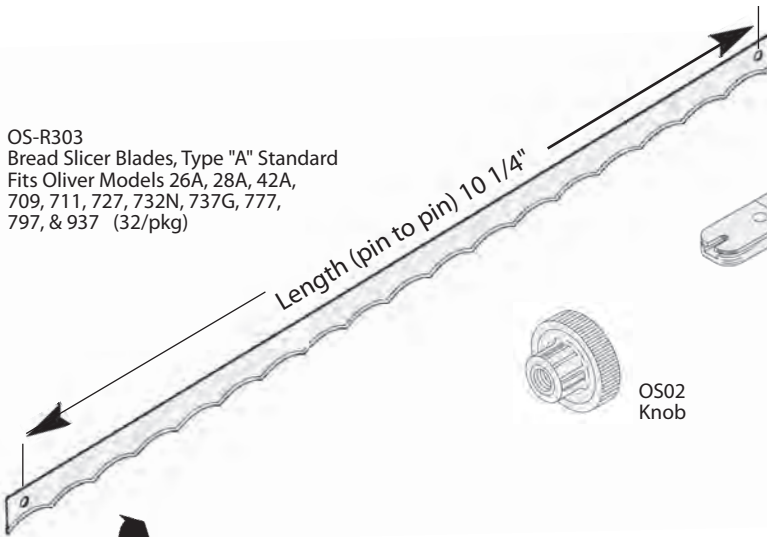
BS006 Shoe Post

BS007 Shoe

BS002 Rubber Foot
Fits U.S. Berkel
Bread Slicers
Models MB & MB51

OLIVER BREAD SLICERS

OS-R303
Bread Slicer Blades, Type "A" Standard
Fits Oliver Models 26A, 28A, 42A,
709, 711, 727, 732N, 737G, 777,
797, & 937 (32/pkg)



OSX101
Blade Removing Tool
New Style

OSX100
Blade Removing Tool

OS02
Knob

OS03
Belt
36" x 1/2"
fits...797

OS04
Belt
29" x 1/2"
fits...777

OS05
Belt
37" x 1/2"
fits...777



BT036
Safety Glove
Cloth w/ Steel Wire

This glove is ambidextrous...
fits right or left hand
Great for protection
against serious cuts.

NBS P/N	OEM P/N	DESCRIPTION
OS02	5911-7000	Knob
OS03	5601-1126	Belt
OS04	5601-1119	Belt
OS05	5601-1127	Belt
OSR303	797-0029-1	Oliver Bread Slicer Blades (32/pkg) Type "A" STD
OSX100	797-0183	Blade Removing Tool
OSX101	797-0183-006K	Blade Removing Tool - New Style

OLIVER BUN and BAGEL SLICERS



OBS810
Knife Screw
and washer
mounting kit
for the BAGEL
KNIFE

p/n BAGEL KNIFE

Bagel Slicer Blade,
10 5/8" dia, 5/8" dia
with 3 mounting
holes



OBS801
Knob, Chute Assembly



OBS802
Screw Clamp, Male



OBS805
Switch, Power Rocker



OBS806
Pilot Light, 115 vac



OBS807
Power Cord, 6'



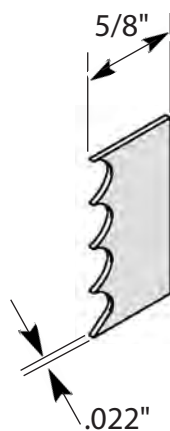
OBS809
Foot, Grey
Rubber

NBS P/N	OEM P/N	DESCRIPTION
BAGEL KNIFE	7107-7053	Knife Serrated 10" 3 mounting holes
OBS801	5911-7034	Knob, chute assembly
OBS802	4560250811	Screw, Clamp male
OBS805	5757-3307	Switch, Power Rocker
OBS806	5709-0021	Pilot Light, 115 vac
OBS807		Power Cord
OBS809		Rubber Foot, Grey

SAW / SLICING
BLADES

About Our Blades...

Blades are available in 4 tooth configuration for lengths under 100", 3 tooth configuration for lengths over 100". The blades are carbon steel with hardened back and hardened tips. Additional lengths available upon request.



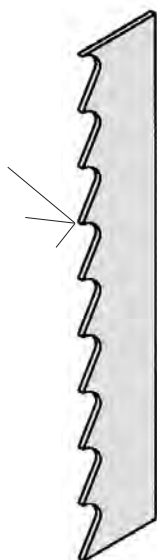
Bone-in

4 TEETH PER INCH

- SB063 ----- 63" Band
- SB066 ----- 66" Band
- SB072 ----- 72" Band
- SB074 ----- 74" Band
- SB078 ----- 78" Band
- SB079 ----- 79" Band
- SB082 ----- 82" Band
- SB091 ----- 91" Band
- SB096 ----- 96" Band
- SB098 ----- 98" Band

3 TEETH PER INCH

- SB100 ----- 100" Band
- SB102 ----- 102" Band
- SB105 ----- 105" Band
- SB106 ----- 106" Band
- SB107 ----- 107" Band
- SB108 ----- 108" Band
- SB109 ----- 109" Band
- SB110 ----- 110" Band
- SB112 ----- 112" Band
- SB114 ----- 114" Band
- SB116 ----- 116" Band
- SB118 ----- 118" Band
- SB120 ----- 120" Band
- SB122 ----- 122" Band
- SB124 ----- 124" Band
- SB126 ----- 126" Band
- SB128 ----- 128" Band
- SB135 ----- 135" Band
- SB142 ----- 142" Band
- SB154 ----- 154" Band



HT123
Safety Glove
Cloth w/ Steel Wire

This glove is ambidextrous... fits right
or left hand

Scalloped Band Knives

These Wavy Edge Band Knives are ideal for boneless and soft bone material such as chicken.

Pre-welded with a double bevel edge these high quality band knives are ready for immediate shipment. Additional lengths available upon request.

Boneless

3 TEETH PER INCH

- BK063 ----- 63" Band Knife
- BK066 ----- 66" Band Knife
- BK072 ----- 72" Band Knife
- BK074 ----- 74" Band Knife
- BK078 ----- 78" Band Knife
- BK079 ----- 79" Band Knife
- BK082 ----- 82" Band Knife
- BK091 ----- 91" Band Knife
- BK096 ----- 96" Band Knife
- BK098 ----- 98" Band Knife
- BK100 ----- 100" Band Knife
- BK102 ----- 102" Band Knife
- BK105 ----- 105" Band Knife
- BK106 ----- 106" Band Knife
- BK107 ----- 107" Band Knife
- BK108 ----- 108" Band Knife
- BK109 ----- 109" Band Knife
- BK110 ----- 110" Band Knife
- BK112 ----- 112" Band Knife
- BK114 ----- 114" Band Knife
- BK116 ----- 116" Band Knife
- BK118 ----- 118" Band Knife
- BK120 ----- 120" Band Knife
- BK122 ----- 122" Band Knife
- BK124 ----- 124" Band Knife
- BK126 ----- 126" Band Knife
- BK128 ----- 128" Band Knife
- BK135 ----- 135" Band Knife
- BK142 ----- 142" Band Knife
- BK150 ----- 150" Band Knife
- BK154 ----- 154" Band Knife



Blade Lengths

MAKE & MODEL	LENGTH	MAKE & MODEL	LENGTH
All American - 199	96"	Hollymatic Hi Yield 16	126"
All American - 515	100"	Jim Vaughan - A, B, D, E	118"
All American - 616	109"	Jim Vaughan - C, H	98"
All American Challenger - C31	112"	Jim Vaughan - G1, G15, K	107"
Biro - AA, AA1	91"	Jim Vaughan - F	126"
Biro Super - BB	112"	Jim Vaughan - L	63"
Biro - 11	78"	Kentmaster - 14	112"
Biro - 22	91"	National	105"
Biro - 33	116"	Peerless - Small	87"
Biro - 34	118"	Peerless - Medium	107"
Biro - 44	135"	Peerless - Large	118"
Biro - 1433	108"	Pesco	105"
Biro - 3334	124"	Regal - 3A, 3AS	110"
Biro - 4436	166"	Regal - 5A, 5AS	126"
Butcher Boy - Royal	100"	Sanitary - KB1	100"
Butcher Boy - Junior	105"	Sanitary - SH	112"
Butcher Boy - Senior	118"	Superior - 19 (36" Table)	136"
Butcher Boy - B12	98"	Superior - 19 (34" Table)	150"
Butcher Boy - B14, Cobra 14	112"	Superior Jones - Junior	112"
Butcher Boy - B16, SA16, Cobra 16	126"	Superior Jones - Senior	148"
Butcher Boy - SA20	154"	Superior Jones -Packing House	216"
Cleveland Kleen Kutter		Superior - 53, 55	228"
- 47, 55, KK	102"	Toledo - 5200, 5201, 5205, 5206	96"
Cleveland Kleen Kutter		Toledo - 5300	126"
- 2247, 2247US	105"	Torrey 200	78"
Cleveland Kleen Kutter - 6	135"	Torrey ST-295	116"
Craftsman	79"	Torrey ST-305	120"
Do-All - MS15	120"	Triplex	100"
Easyspeed	115"	U.S. Berkel - 5, JR	135"
Fleetwood - B25	78"	U.S. Berkel - 5, SR	165"
Fleetwood - B32, B34, B34AT	98"	U.S. Berkel/Jim Vaughan - V12	102"
Fleetwood - B40	126"	U.S. Berkel/Jim Vaughan - V14	114"
Globe Stimson - 72	66"	U.S. Berkel/Jim Vaughan - V16	126"
Globe Stimson - 79	72"	Wells - Clever Cutter	93"
Globe Stimson - 111	91"	Wells - Quikut - Junior	93"
Globe Stimson - 140	110"	Wells - Quikut - K, L	112"
Globe Stimson - 160	122"	Wells - Quikut - J, S	105"
Hobart - 5012, 5212	98"	Westglen - Cobra 16	126"
Hobart - 5013, 5213, 5313	106"	Westglen - 1435	112"
Hobart - 5014, 5114, 5214,		Westglen - 1640S	126"
5413, 5514, 5614	112"		
Hobart - 5016, 5116, 5216,			
5216HS	128"		
Hobart - 5700, 5701, 5801,			
6801	142"		
6614	126"		

Grasselli Slicing Blades



NEW
SB3006
Mini-B Edge Blade
5/8 x .020 x 17 5/8"



NEW
SB3000
Knife Edge Blade
5/8 x .020 x 17 5/8"



NEW
SB30002
Toothe Edge 4 TPI
5/8 x .022 x 17 5/8"



NEW
SB3004
Scalloped Edge Blade
5/8 x .020 x 17 5/8"

NEW
SB3007
Mini-B Edge Blade
5/8 x .022 x 17 5/8"

NEW
SB3001
Knife Edge Blade
5/8 x .022 x 17 5/8"

NEW
SB3003
Toothe Edge 6 TPI
5/8 x .022 x 17 5/8"

NEW
SB3005
Scalloped Edge Blade
5/8 x .022 x 17 5/8"

Handsaw Blades



NEW
HB12-20
Hand Saw Blade
20" Long x 1/2" wide .025" thick
10 Teeth /Inch



NEW
HB58-20
Hand Saw Blade
20" Long x 5/8" wide .025" thick
10 Teeth /Inch

NEW
HB12-25
Hand Saw Blade
25" Long x 1/2" wide .025" thick
10 Teeth /Inch

NEW
HB58-25
Hand Saw Blade
25" Long x 5/8" wide .025" thick
10 Teeth /Inch

NEW
HB12-27
Hand Saw Blade
27" Long x 1/2" wide .025" thick
10 Teeth /Inch

NEW
HB58-27
Hand Saw Blade
27" Long x 5/8" wide .025" thick
10 Teeth /Inch



HT123
Safety Glove
Cloth w/ Steel Wire

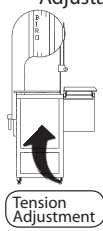
This glove is ambidextrous...
fits right or left hand

SAW / SLICING
BLADES

SHAFT & WHEEL ASSEMBLIES

UPPER WHEEL

Adjustable Head



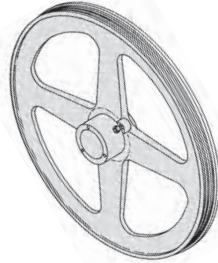
Fixed Head



Upper Shaft & Bearing Assy



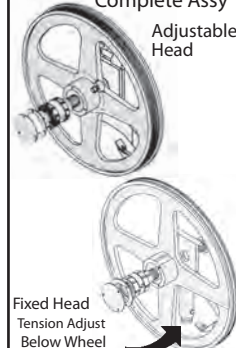
Upper Wheel



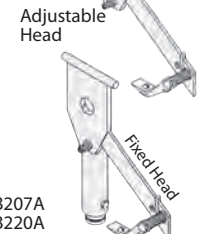
Upper Wheel & Bearing Assy



Upper Wheel Complete Assy



B078A
B137A
Hinge Plate



B207A
B220A
Hinge Plate Assy
Stainless Steel
fits... Fixed Head

NEW

SAW MODEL #	SHAFT & BEARING ASSY	WHEEL ONLY	WHEEL DIAMETER	* WHEEL WITH SHAFT & BEARING	* WHEEL WITH SHAFT, BEARING AND HINGE PLATE	HINGE PLATE
22	B033A-247	B091U	12"	B091A-U	N/A	B078A
33	B033A-247	B043-3U	15"	B043A-3U	B148A	B137A
34	B033A-247	B043-3U	15"	B043A-3U	B148A	B137A
44	B067A-247	B135-3U	18"	B135A-3U	N/A	N/A
1433	B033A-247	B167U	14"	B168A-U	B169A	B078A
1433FH	B033A-247	B167U	14"	B168A-U	B221A (Fixed Head)	B220A (Fixed Head)
3334	B033A-247	B124-3U	16"	B124A-3U	B138A	B137A
3334FH	B033A-247	B124-3U	16"	B124A-3U	B208A (Fixed Head)	B207A (Fixed Head)
3334	B033A-247	B230-3UDF**	16"	B231A-3UDF**	NEW B232A-3UDF**	B137A
3334FH	B033A-247	B230-3UDF**	16"	B231A-3UDF**	B233A-3UDF Fixed Head	B207A
4436	B067A-247	B135-3U	18"	B135A-3U	N/A	N/A

* Complete with Wheel, Shaft, Bearings, Seal, Gaskets, Spacer, Hub Cap & Retainer

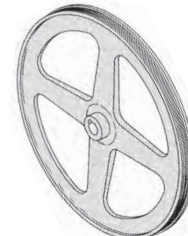
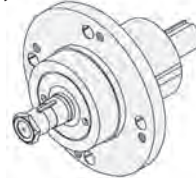
** DF Is for Double Flange. Some Biro Wheels have the Flange on both sides of the wheel

LOWER WHEEL

Lower Shaft & Bearing Assy

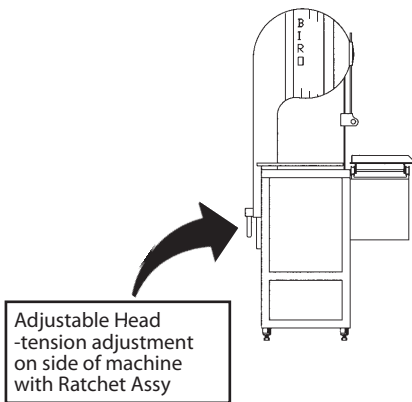
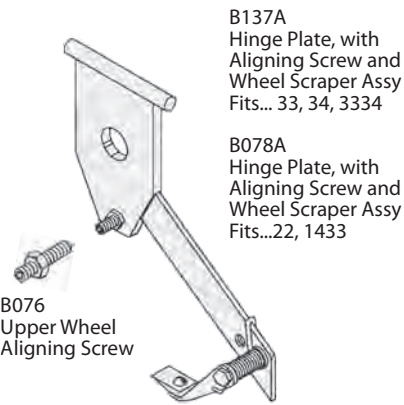


Lower Shaft & Hub Assy

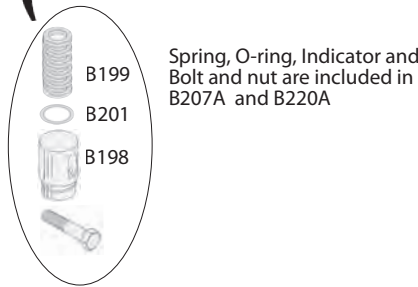
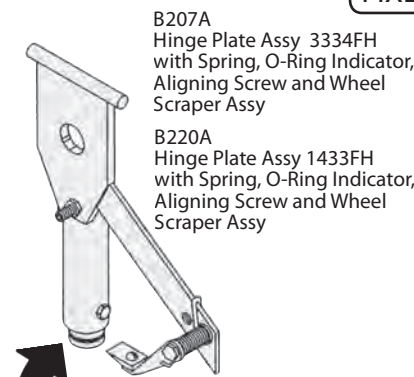


SAW MODEL #	SHAFT & BEARING ASSY	MAIN BEARING HOUSING ASSY	WHEEL ONLY	WHEEL DIAMETER
22	B032A-361/22	N/A	B091L	12"
33	B032A-361/33	B143A	B043-3L	15"
33 OLD STYLE	B032A-361/100	N/A	B043-3L	15"
34	B032A-361/34	N/A	B043-3L	15"
44	B032A-361/44	N/A	B135-3L	18"
1433 Tapered Shaft 14 deg	B182A	B181A	B183L	14"
3334 Straight Shaft 3 deg	B032A-361/33	B143A	B124-3L	16"
3334 Straight Shaft DF 3 deg	B032A-361/33	B143A	B234-3LDF**	NEW 16"
3334 Tapered Shaft 14 deg	B182A	B181A	B226	16"
3334FH Straight Shaft 3 deg	B032A-361/33	B143A	B124-3L	16"
4436	B032A-361/44	N/A	B135-3L	18"

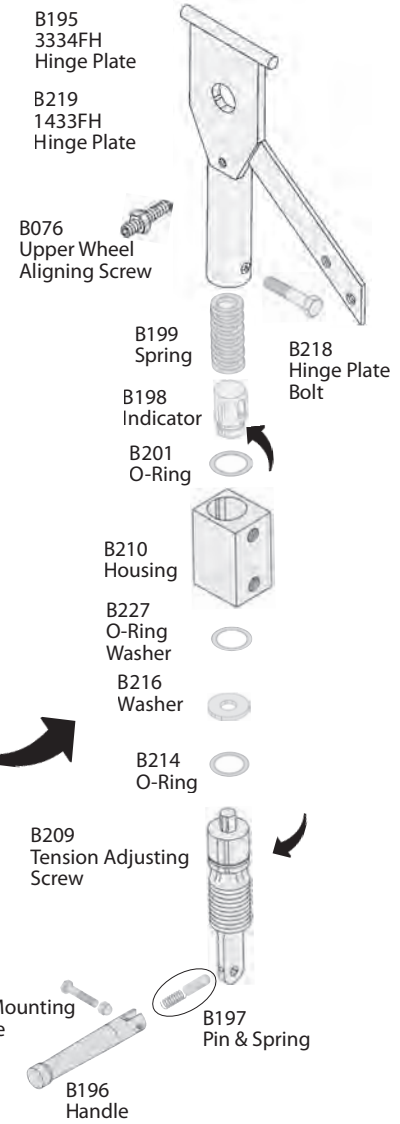
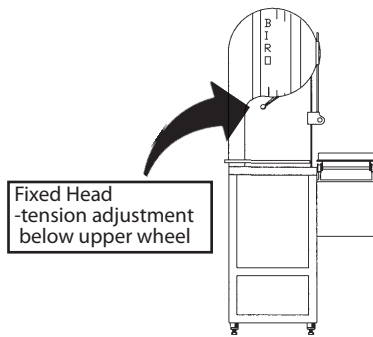
ADJUSTABLE HEAD



FIXED HEAD



Most of these items also fit the 1433FH

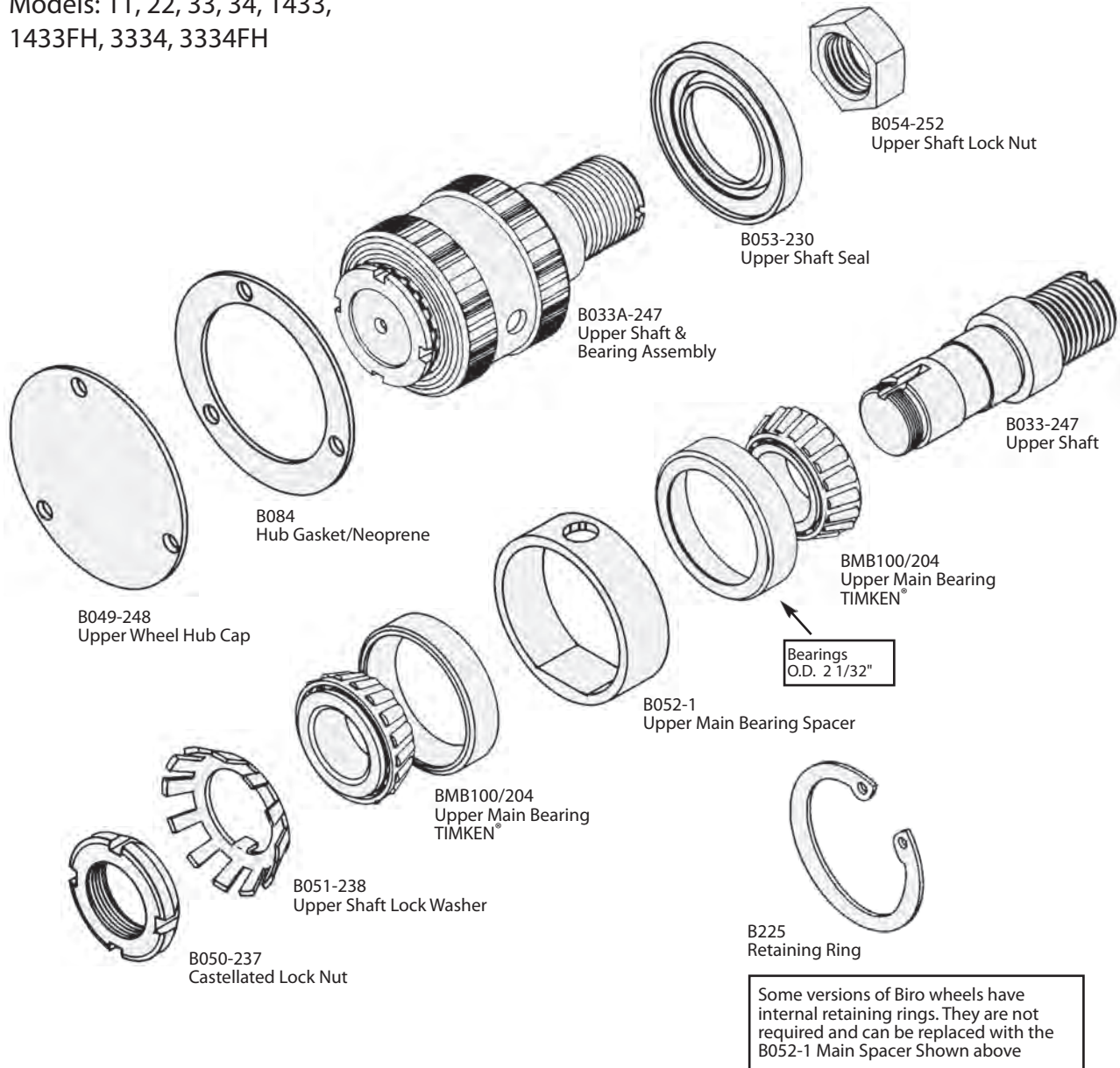


FITS MODELS

NBS P/N	OEM P/N	DESCRIPTION	22	33	34	1433	1433FH	3334	3334FH
B076	S253	Upper Wheel Aligning Screw	X	X	X	X	X	X	X
B078A	S12335X	Hinge Plate	X			X			
B137A	S16335X	Hinge Plate		X	X			X	
B195	S16335XE	Hinge Plate With Cylinder							X
B196	14781	Handle					X		X
B197	55178	Pin & Spring					X		X
B198	14779-1	Indicator					X		X
B199	196-2	Spring	X			X	X	X	X
B200	HH5048S	Handle Mounting Hardware					X		X
B201	14786	O-Ring					X		X
B207A	AS16335XE	Hinge Plate Assy							X
B209	14782	Tension Adjusting Screw					X		X
B210	14780	Housing					X		X
B214	14786	O-Ring					X		X
B216	14785	Washer					X		X
B218	HHS 0481S	Hinge Plate Bolt - Stainless Steel					X		X
B219	S 14335XE	Hinge Plate					X		
B220A		Hinge Plate Assy						X	
B227	14789	Washer, O-Ring					X		X

Upper Shaft

Models: 11, 22, 33, 34, 1433,
1433FH, 3334, 3334FH

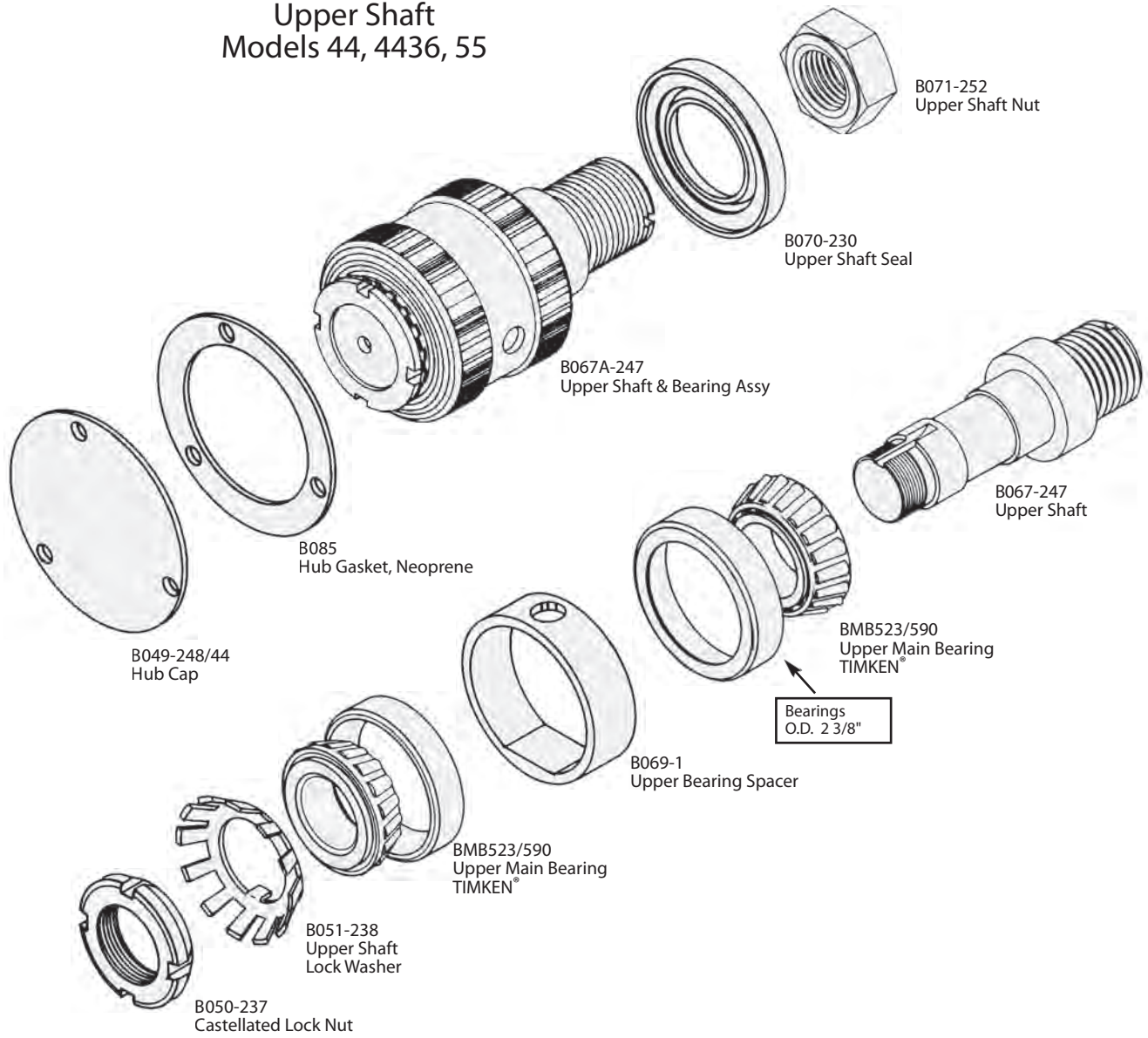


BIRO

FITS MODELS

NBS P/N	OEM P/N	DESCRIPTION	11	22	33	34	1433	1433FH	3334	3334FH
B033-247	247	Upper Shaft	X	X	X	X	X	X	X	X
B033A-247	A247	Upper Shaft & Bearing Assembly	X	X	X	X	X	X	X	X
B049-248	248	Upper Wheel Hub Cap	X	X	X	X	X	X	X	X
B050-237	237	Castellated Lock Nut	X	X	X	X	X	X	X	X
B051-238	238	Upper Shaft Lock Washer	X	X	X	X	X	X	X	X
B052-1	1	Upper Main Bearing Spacer	X	X	X	X	X	X	X	X
B053-230	230	Upper Shaft Seal	X	X	X	X	X	X	X	X
B054-252	252	Upper Shaft Lock Nut	X	X	X	X	X	X	X	X
B084	513	Hub Gasket/Neoprene	X	X	X	X	X	X	X	X
B225	530	Retaining Ring					X	X	X	X
BMB100/204	227	Upper Main Bearing	X	X	X	X	X	X	X	X

Upper Shaft Models 44, 4436, 55



FITS MODELS

NBS P/N	OEM P/N	DESCRIPTION	44	4436	55
B049-248/44	18248	Hub Cap	X	X	X
B050-237	237	Castellated Lock Nut	X	X	X
B051-238	238	Upper Shaft Lock Washer	X	X	X
B067-247	18247	Upper Shaft	X	X	X
B067A-247	297 (A18247)	Upper Shaft & Bearing Assembly	X	X	X
B069-1	1 (18001)	Upper Bearing Spacer	X	X	X
B070-230	18230	Upper Shaft Seal	X	X	X
B071-252	252 (18252)	Upper Shaft Nut	X	X	X
B085	512	Hub Gasket, Neoprene	X	X	X
BMB523/590	227 (A18227)	Upper Main Bearing	X	X	X

BPRO

Lower Shaft Model 22

BEARINGS O.D. 2 1/32"

BEARINGS O.D. 2 3/8"

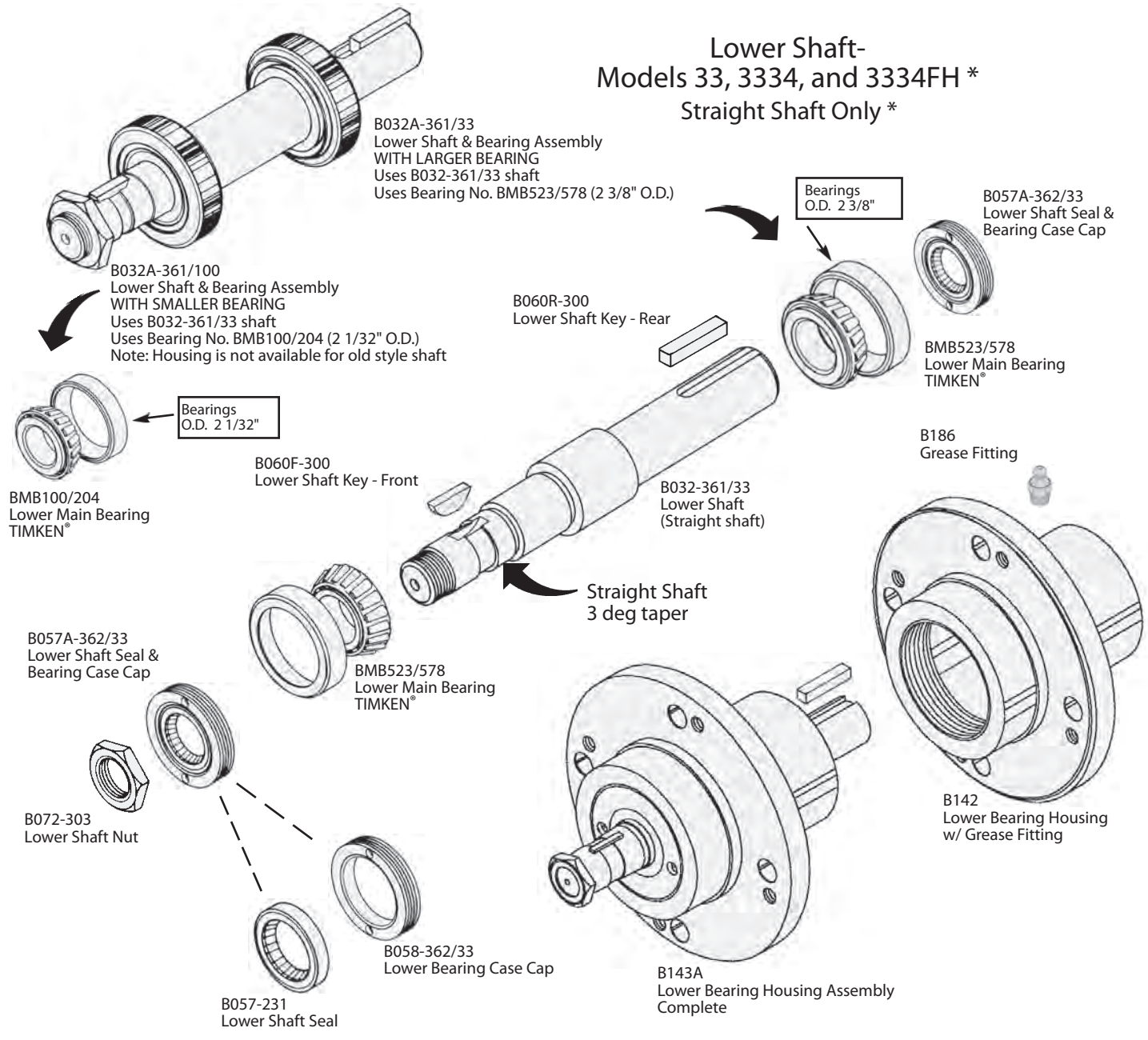
MODELS WITH S/N BELOW 12634 -- USE BMB100/204 BEARINGS

MODELS WITH S/N ABOVE 12634 -- USE BMB523/578 BEARINGS

FITS MODELS

NBS P/N	OEM P/N	DESCRIPTION	22 O/S	22 N/S
B032-361/22	361	Lower Shaft	X	X
B032A-361/22	A361	Lower Shaft & Bearing Assy - SMALL BEARING	X	
B032A-361/523	A361	Lower Shaft & Bearing Assy - LARGE BEARING		X
B057-231	231	Lower Shaft Seal	X	X
B057A-362/22	N/A	Lower Shaft Seal & Bearing Case Cap	X	
B057A-362/33	N/A	Lower Shaft Seal & Bearing Case Cap		X
B058-362/22	362	Lower Bearing Case Cap	X	
B058-362/33	362	Lower Bearing Case Cap		X
B060F-300	300	Lower Shaft Key - Front	X	X
B060R-300	277	Lower Shaft Key - Rear	X	X
B072-303/22	361	Lower Shaft Nut	X	X
BMB100/204	A227	Lower Main Bearing	X	
BMB523/578	A363	Lower Main Bearing		X

Lower Shaft- Models 33, 3334, and 3334FH * Straight Shaft Only *



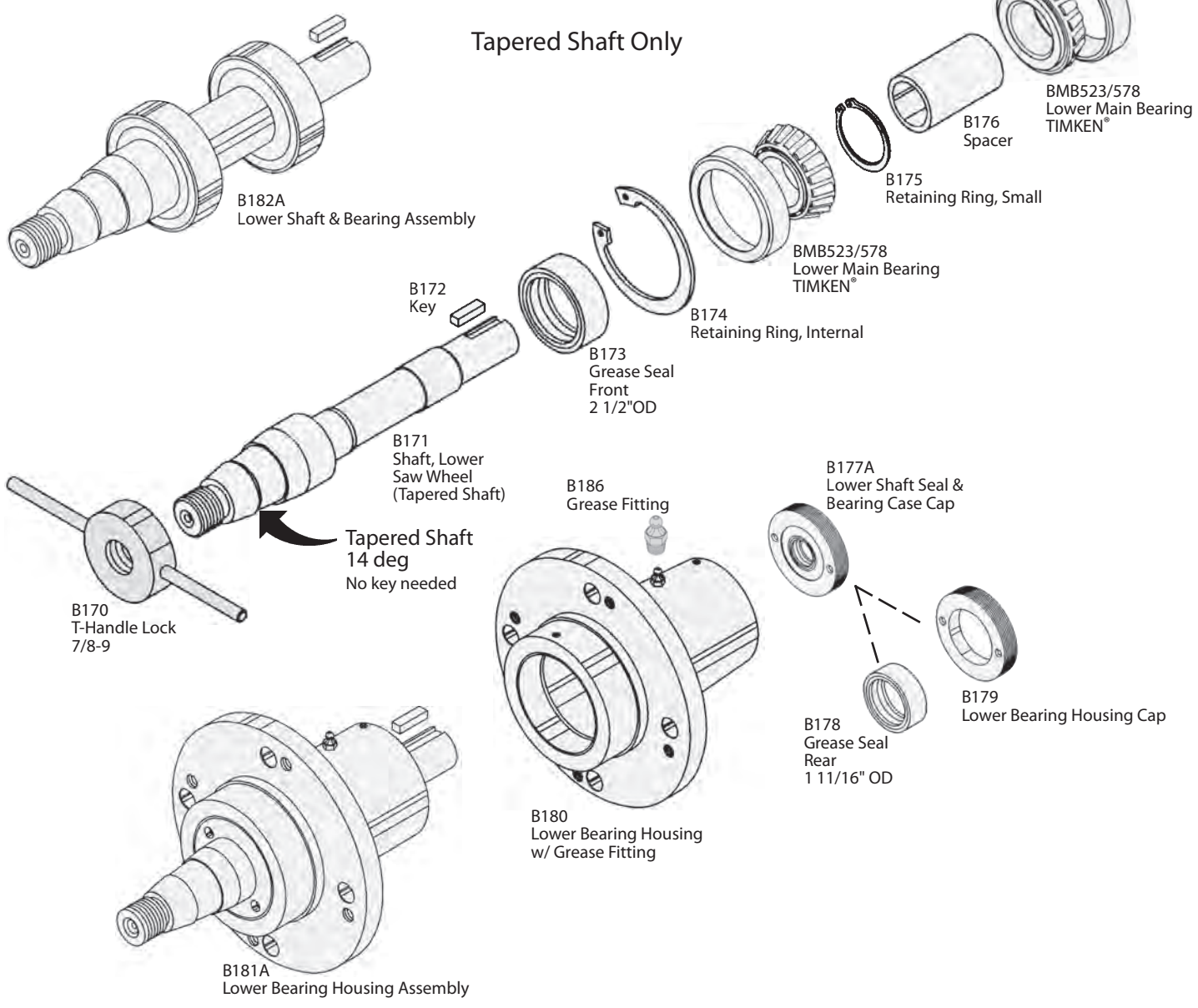
FITS MODELS

NBS P/N	OEM P/N	DESCRIPTION	33	3334 O/S	3334	3334FH*
B032-361/33	(361) 16361	Lower Shaft	X	X	X	X
B032A-361/33	N/A	Lower Shaft & Bearing Assembly USES LARGER BEARING	X		X	X
B032A-361/100	N/A	Lower Shaft & Bearing Assembly USES SMALLER BEARING		X		X
B057-231	231	Lower Shaft Seal	X		X	X
B057A-362/33	N/A	Lower Shaft Seal & Bearing Case Cap	X		X	X
B058-362/33	362	Lower Bearing Case Cap	X		X	X
B060F-300	300	Lower Shaft Key - Front	X	X	X	X
B060R-300	277	Lower Shaft Key - Rear	X	X	X	X
B072-303	(303) 16303	Lower Shaft Nut	X	X	X	X
B142	(360) 16360	Lower Bearing Housing	X		X	X
B143A	A16360	Lower Bearing Housing Assembly - Complete	X		X	X
B186	360A1	Grease Fitting	X		X	X
BMB100/204	A263	Lower Main Bearing		X		
BMB523/578	(A363) 16363	Lower Main Bearing	X		X	X

**Lower Shaft Components-
Model 1433, 1433FH and 3334 FH**

Tapered Shaft Only

Bearings
O.D. 2 3/8"

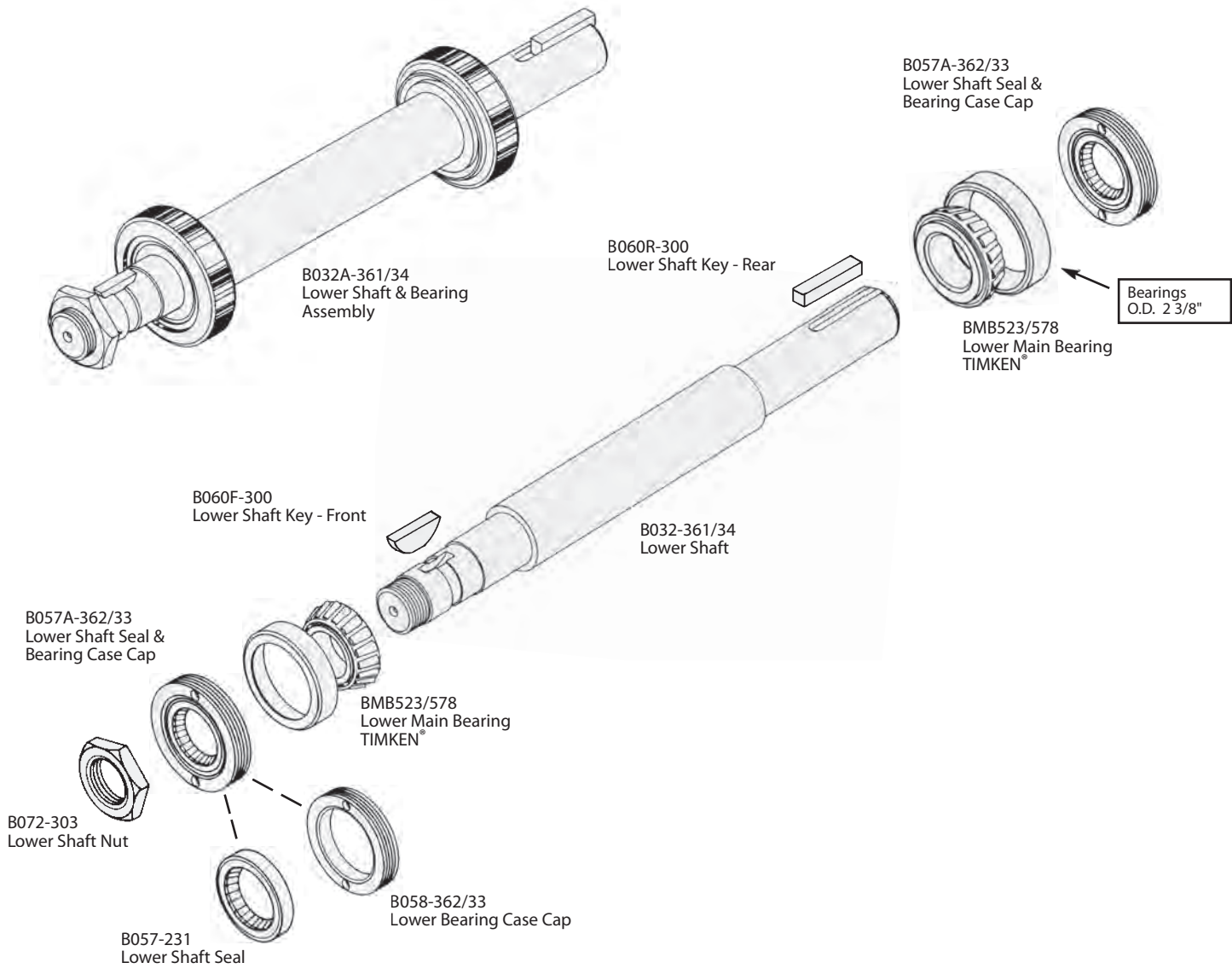


BPRO

FITS MODELS

NBS P/N	OEM P/N	DESCRIPTION	1433	1433FH	3334FH
B170	14746	T-Handle Lock	X	X	X
B171	16543	Shaft, Lower Saw Wheel	X	X	X
B172	280	Key	X	X	X
B173	14544	Grease Seal, 1.50 ID	X	X	X
B174	14545	Retaining Ring, Internal 2 7/8 ID	X	X	X
B175	14740	Retaining Ring, Small	X	X	X
B176	16517	Spacer	X	X	X
B177A	N/A	Lower Shaft Seal & Lower Bearing Housing Cap	X	X	X
B178	14548	Grease Seal, 7/8 ID	X	X	X
B179	14549	Lower Bearing Housing Cap	X	X	X
B180	16547	Lower Bearing Housing	X	X	X
B181A	A16547	Lower Bearing Housing Assembly	X	X	X
B182A	N/A	Lower Shaft & Bearing Assembly	X	X	X
B186	360	Grease Fitting	X	X	X
BMB523/578	363	Lower Main Bearing	X	X	X

Lower Shaft
Model 34

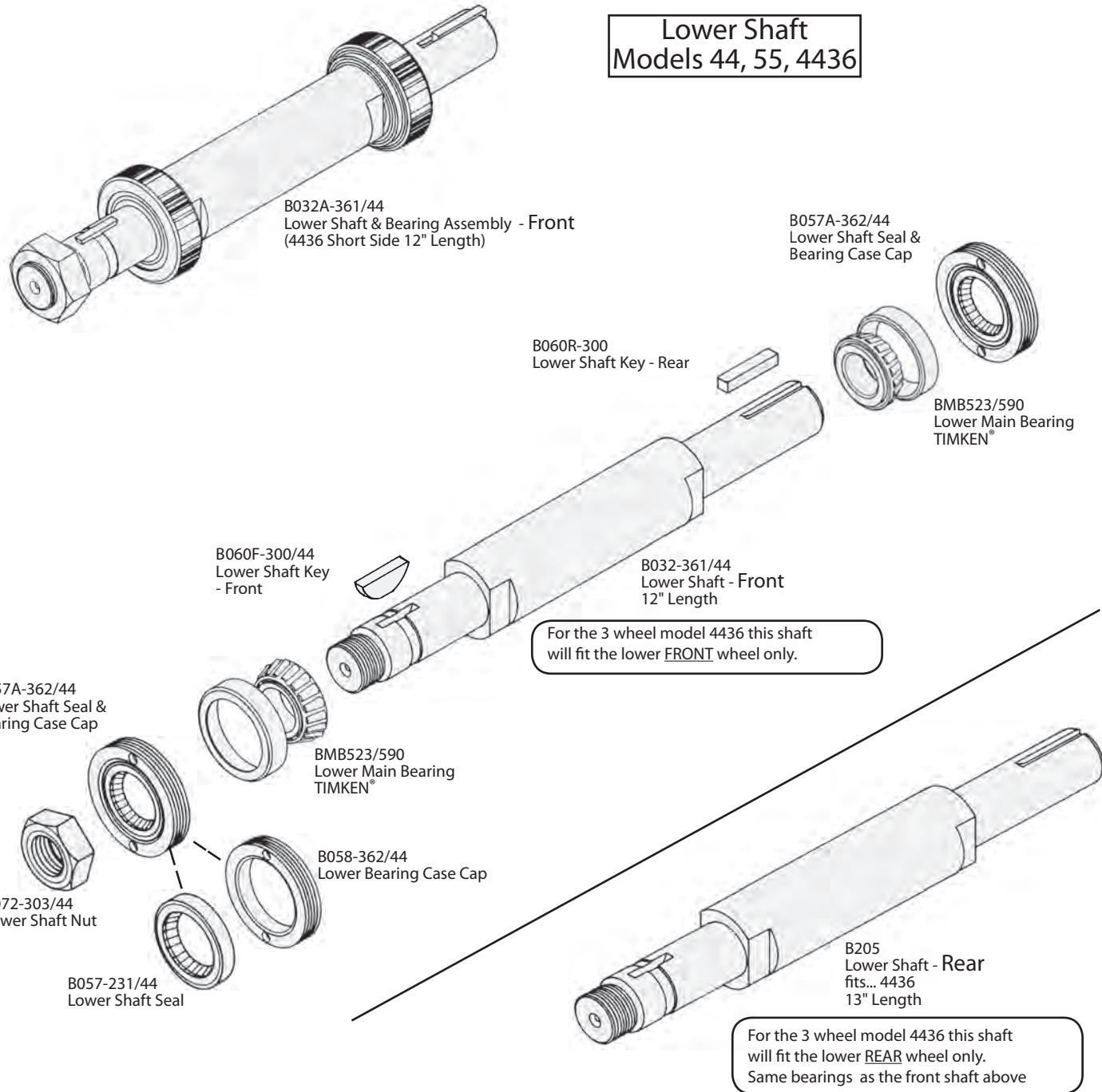


FITS MODEL

NBS P/N	OEM P/N	DESCRIPTION	34
B032-361/34	34361	Lower Shaft	X
B032A-361/34	N/A	Lower Shaft & Bearing Assembly	X
B057-231	231	Lower Shaft Seal	X
B057A-362/33	N/A	Lower Shaft Seal & Bearing Case Cap	X
B058-362/33	362	Lower Bearing Case Cap	X
B060F-300	300	Lower Shaft Key - Front	X
B060R-300	277	Lower Shaft Key - Rear	X
B072-303	303	Lower Shaft Nut	X
BMB523/578	363	Lower Main Bearing	X



**Lower Shaft
Models 44, 55, 4436**



NBS P/N	OEM P/N	DESCRIPTION	FITS MODELS		
			44	55	4436
B032-361/44	361 (18316)	Lower Shaft -Front	X	X	X
B032A-361/44	A18227	Lower Shaft & Bearing Assembly (4436 Short Side 12 1/16")	X	X	X
B057-231/44	231 (18231DL)	Lower Shaft Seal	X	X	X
B057A-362/44	N/A	Lower Shaft Seal & Bearing Case Cap	X	X	X
B058-362/44	362	Lower Bearing Case Cap	X	X	X
B060F-300/44	300 (18300)	Lower Shaft Key - Front	X	X	X
B060R-300	277	Lower Shaft Key - Rear	X	X	X
B072-303/44	303 (252X)	Lower Shaft Nut	X	X	X
B205	4436-361	Lower Rear Shaft		X	X
BMB523/590	227	Lower Main Bearing	X	X	X

SAW GUIDE AND BLADE GUARD

B155 Guide Bar Stop Stud

B031-193 Saw Guide Bar Spring

B074 Guide Bar

B157 Finger Lift Fastener Bolt 3/8-16

B092 Blade Guard -33 and 3334 Stainless Steel

B095 Blade Guard -1433 Stainless Steel

B202 Finger Lift Bracket

B223 Knob for Saw Guide Bar Lock
Fits: 1433FH and 3334FH

B045-602 Upper Guide & Carbide Block

B055-601 Upper Guide Bracket

B055A-601 Upper Guide & Bracket Assembly

B240 **NEW** Cleaning Unit and Finger Lift Fastener Knob 5/16-18, Black ABS
Fits: 1433, 1433FH and 55

BSGBN2233 Saw Guide Bearing 2 Neoprene Seals, Water Resistant

BSGB2233 Saw Guide Bearing Metal Shields

B030 Bearing Thumb Screw & Washer

B211A Saw Guide Bar Assy Complete.. fits... 3334

B212A Saw Guide Bar Assy Complete.. fits...1433

B026-2915 Finger Lift Fastener Knob - Short 3/8-16

Includes all shown.. Guide Bar, Stop stud, Bar Spring, Blade Guard, Finger Lift Bracket, Knob, Upper Guide Bracket and Saw Guide

p/n Sticker Danger

Replacement Danger Sticker for all Guards

Sticker Danger Replacement Danger Sticker for all

DANGER ALWAYS WEAR YOUR SAFETY GEAR! NEVER USE THE PRODUCT!

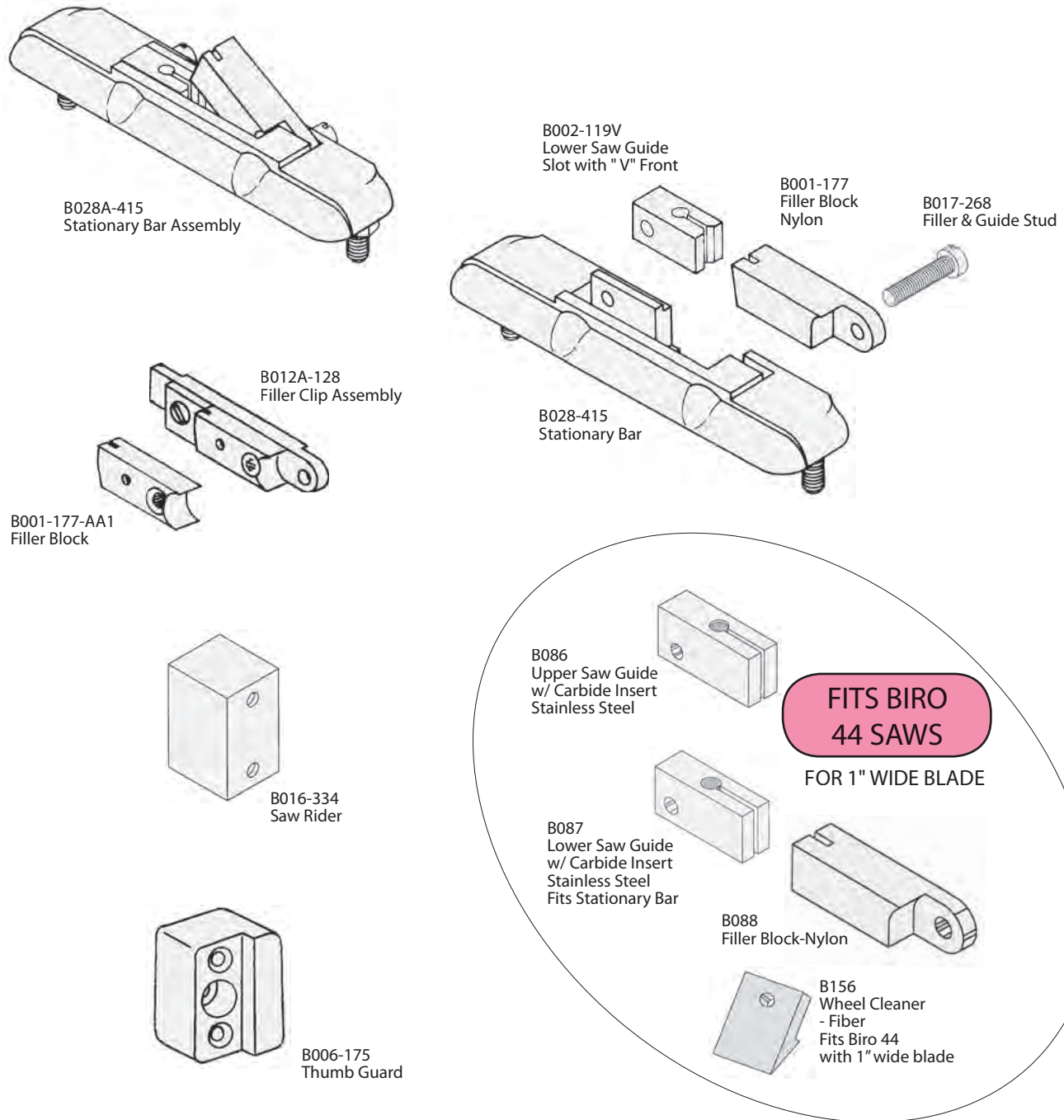
DANGER EXPOSED BLADE

FITS MODELS

NBS P/N	OEM P/N	DESCRIPTION	11	22	33	34	44	55	1433	3334	4436
B026-2915	291	Finger Lift Fastener Knob - Short	X	X	X			X		X	
B030	175-2-S	Bearing Thumb Screw & Washer	X	X	X	X	X			X	X
B031-193	193	Saw Guide Bar Spring		X	X	X	X		X	X	X
B045-602	602	Upper Guide & Carbide Block	X	X	X	X	X	X	X	X	X
B055-601	601	Upper Guide Bracket	X	X	X	X	X	X	X	X	X
B055A-601	601	Upper Guide & Bracket Assembly	X	X	X	X	X	X	X	X	X
B074	116-22	Guide Bar				X			X	X	
B092	663	Blade Guard -3334			X					X	
B095	14255	Blade Guard -1433							X		
B155	S200B1	Guide Bar Stop Stud		X		X	X		X	X	
B157	211D	Finger Lift Fastener Bolt				X		X	X	X	
BSGB2233	228	Saw Guide Bearing - Metal Shields	X	X	X					X	
BSGBN2233	228	Saw Guide Bearing 2 Neoprene Seals, Water Resistant	X	X	X					X	
B202	211	Finger Lift Bracket					X	X	X	X	X
B211A	A116-22	Saw Guide Bar Assy. Complete								X	
B212A	A116-2214	Saw Guide Bar Assy. Complete							X		
B223	194	Knob for Saw Guide Bar Lock - FIXED HEAD 1433 & 3334 ONLY							X	X	
B240	211Q	Fastener Knob, 5/16-18 Thd fits.... 1433 and 1433FH						X	X		

BIRO

BIRO

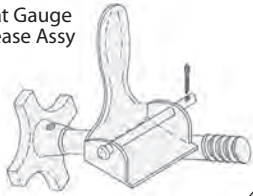


FITS MODELS

NBS P/N	OEM P/N	DESCRIPTION	AA1	11	22	33	34	44	55	1433	1433FH	3334	3334FH	4436
B001-177	177	Filler Block		X	X	X	X	X	X	X	X	X	X	X
B001-177-AA1	177	Filler Block	X											
B002-119V	119	Lower Saw Guide Slot with "V" Front		X	X	X	X		X	X	X	X	X	
B006-175	175-S	Thumb Guard		X	X	X	X	X	X	X	X	X	X	X
B012A-128	128	Filler Clip Assembly	X											
B016-334	334-6	Saw Rider		X	X	X	X	X				X		
B017-268	268	Filler & Guide Stud		X	X	X	X	X		X	X	X	X	X
B028-415	415	Stationary Bar		X	X	X	X	X				X	X	X
B028A-415	415	Stationary Bar Assembly		X	X	X	X	X				X	X	X
B086	44-602	Upper Saw Guide w/ Carbide Insert					X	X		X	X			
B087	44-119ZP	Lower Saw Guide-Fits Stationary bar					X	X						
B088	177S	Filler Block-Nylon					X	X						
B156	179-1	Wheel Cleaner - Fiber						X						

Fits all models

B152A
Meat Gauge
Release Assy



B162A
Meat Gauge Plate Assy
Includes Meat Gauge Release
Assy, Nylon Slide

B160
Meat Gauge Plate
Stainless Steel

B158
Meat Gauge Arm
Includes Bushings

B204
Gauge Plate Bushing
Large

B203
Gauge Plate Bushing
Small

B161
Meat Gauge
Cap Nut

B159
Nylon Slide

B096
Meat Gauge
Release Handle

B093
Meat Gauge
Cotter Key

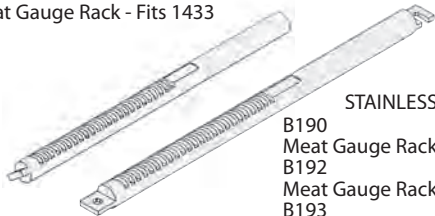
B011-265
Meat Gauge Spring

B094
Meat Gauge
Release Pin

B097
Meat Gauge Handle
- includes roll pin

B151
Meat Gauge
Worm Gear

B191
Meat Gauge Rack - Fits 1433



STAINLESS

B190
Meat Gauge Rack - Fits 22
B192
Meat Gauge Rack - Fits 3334
B193
Meat Gauge Rack - Fits 44

Fits 1433 & 1433FH

B166A
Meat Gauge Plate Assy
Complete-ready to install

B165
Meat Gauge Plate
Stainless Steel

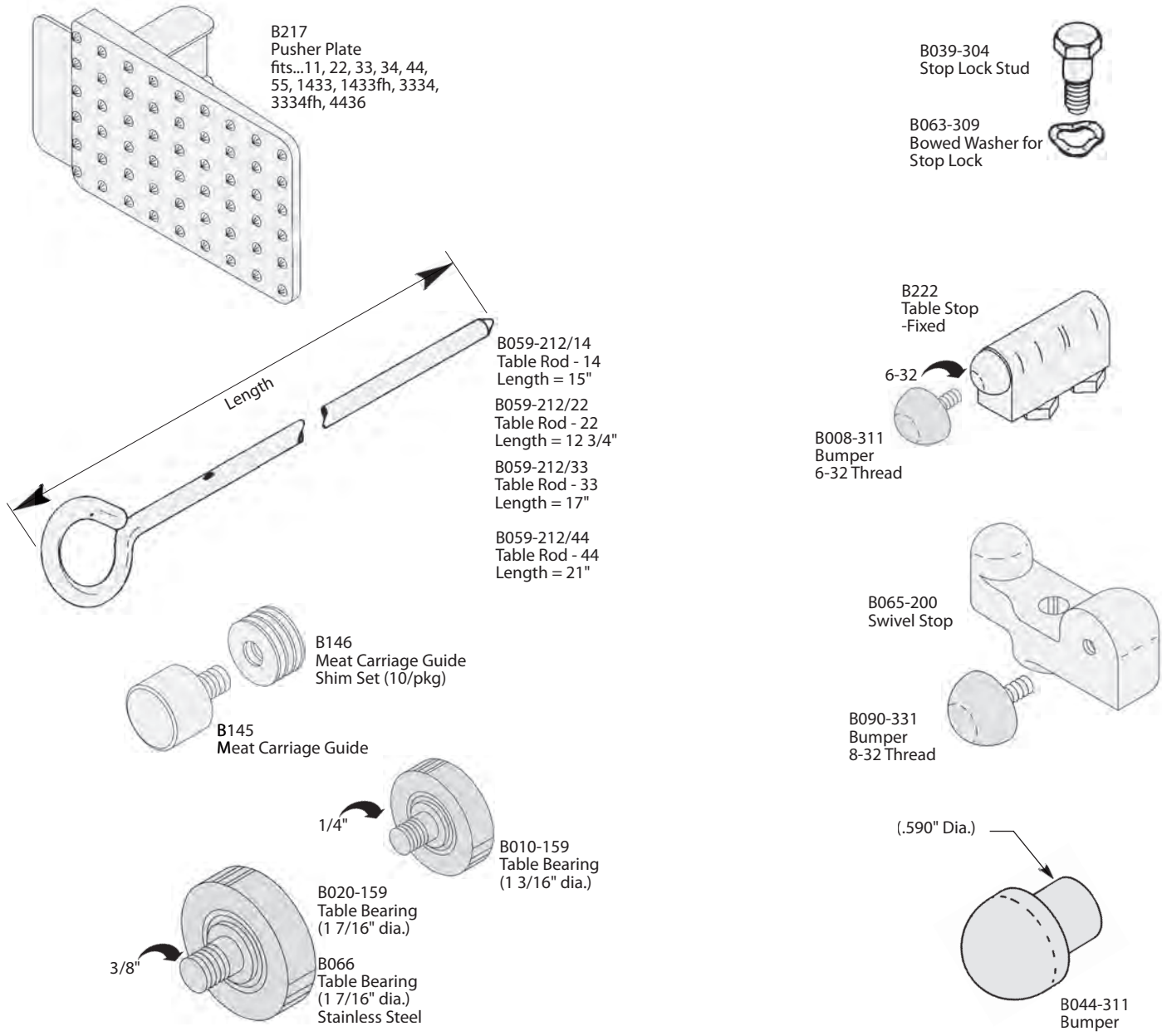
B164
Meat Gauge Arm
includes Bushings

B161
Meat Gauge
Cap Nut

B159
Nylon Slide

FITS MODELS

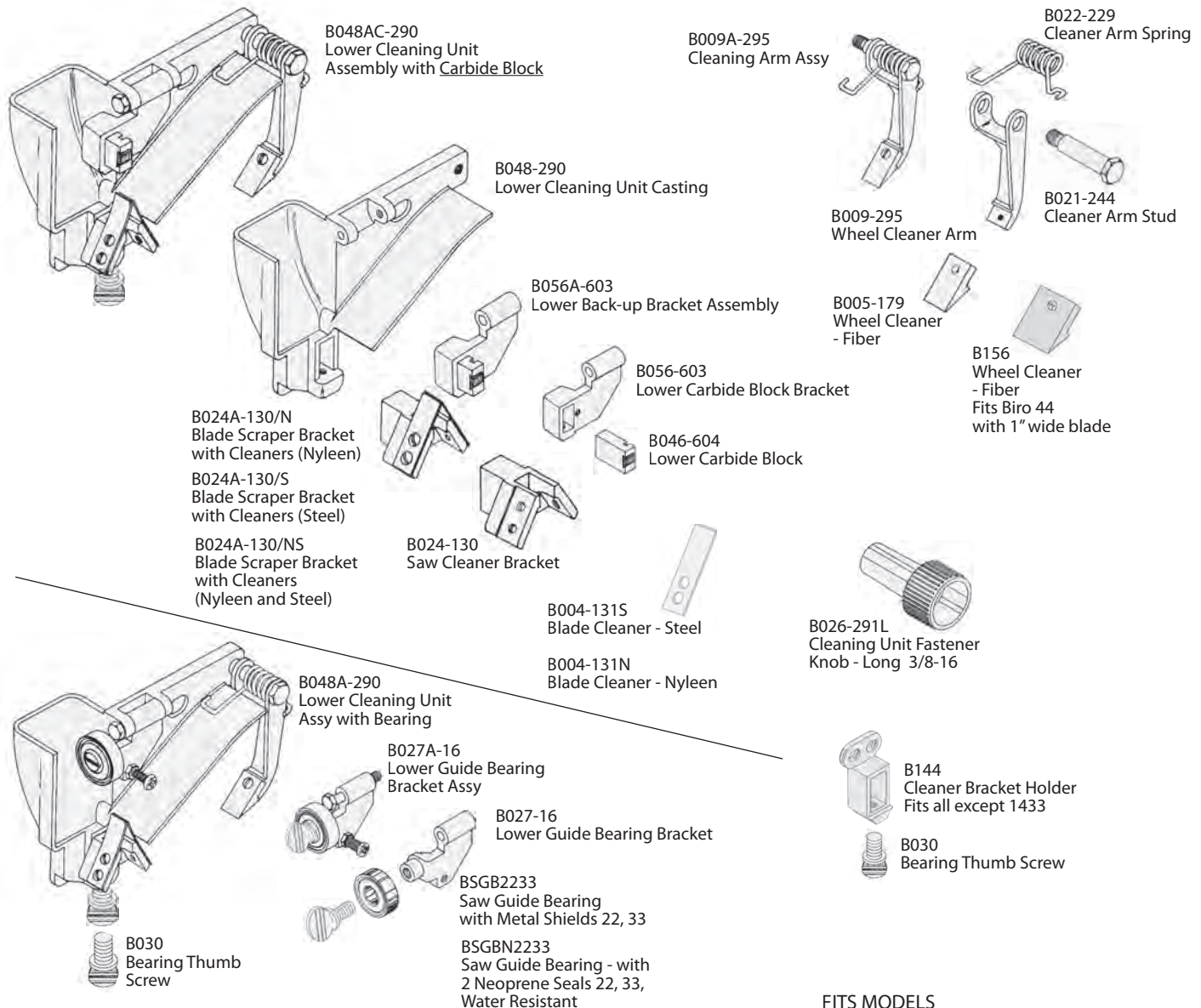
NBS P/N	OEM P/N	DESCRIPTION	11	22	33	34	44	55	1433	1433FH	3334	3334FH
B011-265	S265	Meat Gauge Spring	X	X	X	X	X	X	X	X	X	X
B093	267	Meat Gauge Cotter Key	X	X	X	X	X	X	X	X	X	X
B094	270	Meat Gauge Release Pin	X	X	X	X	X	X	X	X	X	X
B096	S262	Meat Gauge Release Handle	X	X	X	X	X	X	X	X	X	X
B097	264-1	Meat Gauge Handle	X	X	X	X	X	X	X	X	X	X
B151	271	Meat Gauge Worm Gear	X	X	X	X	X	X	X	X	X	X
B152A	A262	Meat Gauge Release Assy	X	X	X	X	X	X	X	X	X	X
B158	16278	Meat Gauge Arm									X	X
B159	HHS049NL	Nylon Slide	X	X					X	X	X	X
B160	S16275	Meat Gauge Plate									X	X
B161	272-8	Meat Gauge Cap Nut	X	X			X		X	X	X	X
B162A	AS16275	Meat Gauge Plate Assy									X	X
B164	14275	Meat Gauge Arm	X	X	X				X	X		
B165	14275-5	Meat Gauge Plate	X	X	X				X	X		
B166A	A14275	Meat Gauge Plate Assy	X	X	X				X	X		
B190	12272	Meat Gauge Rack Length 16"		X								
B191	14272	Meat Gauge Rack Length 16"							X	X		
B192	16272	Meat Gauge Rack Length 20 1/2"									X	X
B193	18272	Meat Gauge Rack Length 25"					X					
B203		Gauge Plate Bushing Small		X					X	X	X	X
B204		Gauge Plate Bushing Large		X					X	X	X	X



BPRO

FITS MODELS

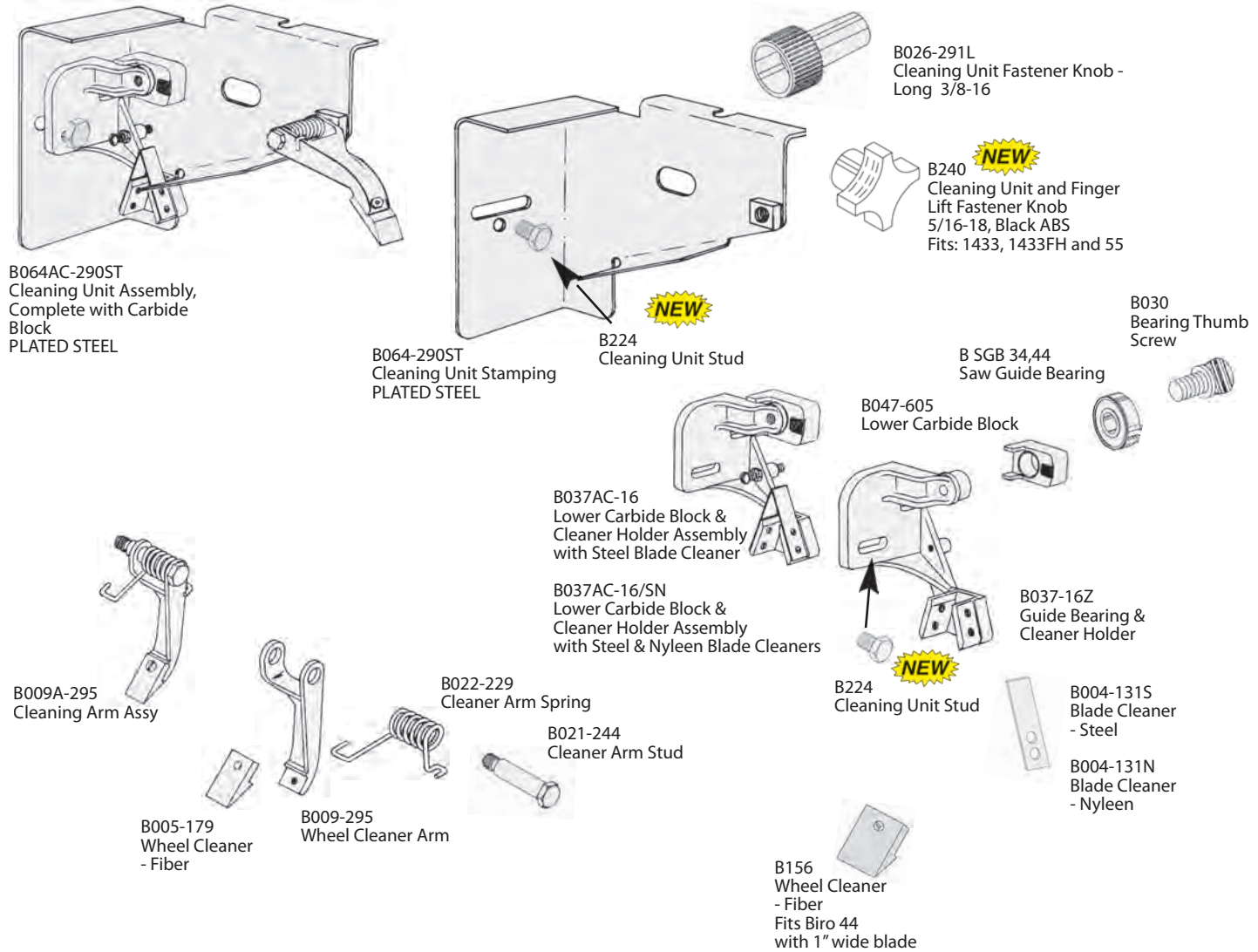
NBS P/N	OEM P/N	DESCRIPTION	11	22	33	34	44	55	1433	1433FH	3334	3334FH	4436
B008-311	311	Bumper	X	X	X				X	X	X	X	
B010-159	159	Table Bearing (1 3/16" dia.)	X	X	X								
B020-159	159	Table Bearing (1 7/16" dia.)				X	X	X	X	X	X		X
B039-304	304	Stop Lock Stud	X	X	X					X	X		
B044-311	311	Bumper					X						X
B059-212/14	14212W	Table Rod - 14 Length = 15"								X			
B059-212/22	12212	Table Rod - 22 Length = 12 3/4"		X									
B059-212/33	15212	Table Rod - 33 Length = 17"			X	X							
B059-212/44	18212	Table Rod - 44 Length = 21"					X						
B063-309	309	Bowed Washer for Stop Lock	X	X	X				X		X		
B065-200	200 (16200)	Swivel Stop				X	X		X		X		X
B066	16159SS	Table Bearing Stainless Steel				X	X	X	X	X	X	X	X
B090-331	331	Table Bumper	X	X	X	X	X		X		X	X	X
B145	16155-2A	Meat Carriage Guide					X				X	X	
B146	16155-2B	Meat Carriage Guide Shim Set (10/pkg)					X				X	X	
B217	256P	Pusher Plate	X	X	X	X	X	X	X	X	X	X	X
B222	16220	Table Stop - Fixed					X	X	X	X	X	X	



FITS MODELS

NBS P/N	OEM P/N	DESCRIPTION	11	22	33	34	44	55	1433	1433FH	3334	3334FH	4436
B004-131N	131	Blade Cleaner - Nyleen	X	X	X	X	X	X	X	X	X	X	X
B004-131S	131	Blade Cleaner - Steel	X	X	X	X	X	X	X	X	X	X	X
B005-179	179	Wheel Cleaner - Fiber	X	X	X	X	X	X	X	X	X	X	X
B009-295	295	Wheel Cleaner Arm	X	X	X	X	X		X	X	X	X	X
B009A-295	295	Cleaning Arm Assembly	X	X	X	X	X		X	X	X	X	X
B021-244	244	Cleaner Arm Stud	X	X	X	X	X		X	X	X	X	X
B022-229	229	Cleaner Arm Spring	X	X	X	X	X		X	X	X	X	X
B024-130	130	Saw Cleaner Bracket	X	X	X	X	X				X	X	X
B024A-130/N	A130	Blade Scraper Bracket with Cleaners (Nyleen)	X	X	X	X	X				X	X	X
B024A-130/NS	A130	Blade Scraper Bracket with Cleaners (Nyleen and Steel)	X	X	X	X	X				X	X	X
B024A-130/S	A130	Blade Scraper Bracket with Cleaners (Steel)	X	X	X	X	X				X	X	X
B026-291L	291	Cleaning Unit Fastener Knob - Long	X	X	X						X	X	X
B027-16	16	Lower Guide Bearing Bracket	X	X	X								
B027A-16	16	Lower Guide Bearing Bracket Assembly	X	X	X								
B030	175-2-S	Bearing Thumb Screw	X	X	X								
B046-604	604	Lower Carbide Block	X	X	X								
B048-290	290	Lower Cleaning Unit Casting	X	X	X								
B048A-290	290	Lower Cleaning Unit Assembly with Bearing	X	X	X								
B048AC-290	603	Lower Cleaning Unit Assembly with Carbide Block	X	X	X								
B056-603	603	Lower Carbide Block Bracket	X	X	X								
B056A-603	N/A	Lower Back-up Bracket Assembly	X	X	X								
B144	16132	Cleaner Bracket Holder	X	X	X	X	X				X		X
B156	179-1	Wheel Cleaner - Fiber 1" Wide					X						X
BSGB2233	228	Saw Guide Bearing with Metal Shields	X	X	X								
BSGBN2233	228	Saw Guide Bearing with 2 Neoprene Seals, Water Resistant	X	X	X								

CLEANING UNITS

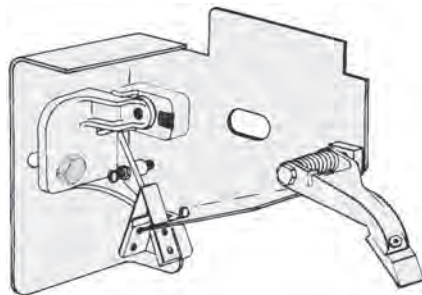


FITS MODELS

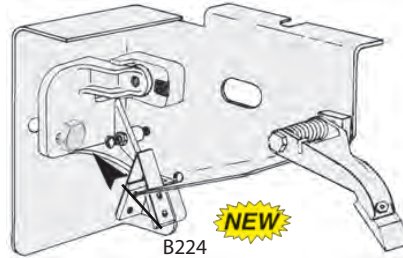
NBS P/N	OEM P/N	DESCRIPTION	34	44	4436	55
B004-131S	131	Blade Cleaner - Steel	X	X	X	X
B004-131N	131	Blade Cleaner - Nyleen	X	X	X	X
B005-179	179	Wheel Cleaner - Fiber	X	X	X	X
B009-295	295	Wheel Cleaner Arm	X	X	X	X
B019A	A295	Wheel Cleaner Assy - Stainless Steel	X	X	X	X
B021-244	244	Cleaner Arm Stud	X	X	X	X
B022-229	229	Cleaner Arm Spring	X	X	X	X
B026-291L	291	Cleaning Unit Fastener Knob - Long	X	X	X	
B030	175-2-S	Bearing Thumb Screw	X	X	X	
B037-16Z	16	Guide Bearing And Cleaner Holder	X	X	X	
B037AC-16	16	Lower Carbide Block & Cleaner Assy with Steel Blade Cleaners	X	X	X	
B037A-16/SN	16	Lower Carbide Block & Cleaner Assy with Steel and Nyleen Blade Cleaners	X	X	X	
B064-290ST	290	Cleaning Unit Stamping	X	X	X	
B064AC-290ST	290	Cleaning Unit Assembly, Complete with Carbide Block	X	X	X	
B156	179-1	Wheel Cleaner - Fiber 1" Wide		X	X	
B224	HHS035S	Cleaning Unit Stud	X	X	X	
B240	211Q	Fastener Knob, Cleaning Unit 5/16-18 Thread FITS.... 1433,1433FH and 55				X
BSGB3444	228	Saw Guide Bearing with 2 Neoprene Seals, Water Resistant	X	X		



CLEANING UNITS STAINLESS STEEL



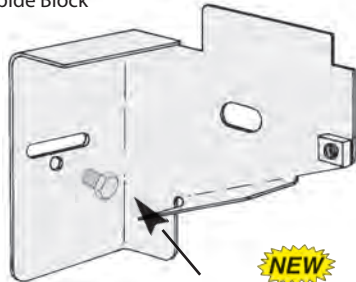
B018AC
Cleaning Unit Assembly
Complete with Carbide Block
STAINLESS STEEL



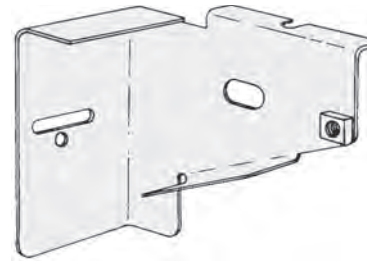
B029AC
Cleaning Unit Assembly
Complete with Carbide Block
STAINLESS STEEL



B026-291L
Cleaning Unit Fastener Knob -
Long 3/8-16



B018
Cleaning Unit Stamping
STAINLESS STEEL



B029
Cleaning Unit Stamping
STAINLESS STEEL



B022-229
Cleaner Arm Spring



B019
Wheel Cleaner Arm -
STAINLESS STEEL

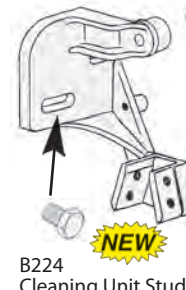
B019A
Wheel Cleaner Assy
STAINLESS STEEL



B021-244
Cleaner Arm Stud



B037AC-16
Lower Carbide Block &
Cleaner Holder Assembly
with Steel Blade Cleaner



B037-16Z
Guide Bearing &
Cleaner Holder

B224
Cleaning Unit Stud

B037AC-16/SN
Lower Carbide Block &
Cleaner Holder Assembly
with Steel & Nyleen Blade Cleaners

B030
Bearing Thumb
Screw



BSGB3444
Saw Guide Bearing



B047-605
Lower Carbide Block



B004-131S
Blade Cleaner
- Steel

B004-131N
Blade Cleaner
- Nyleen

FITS MODELS

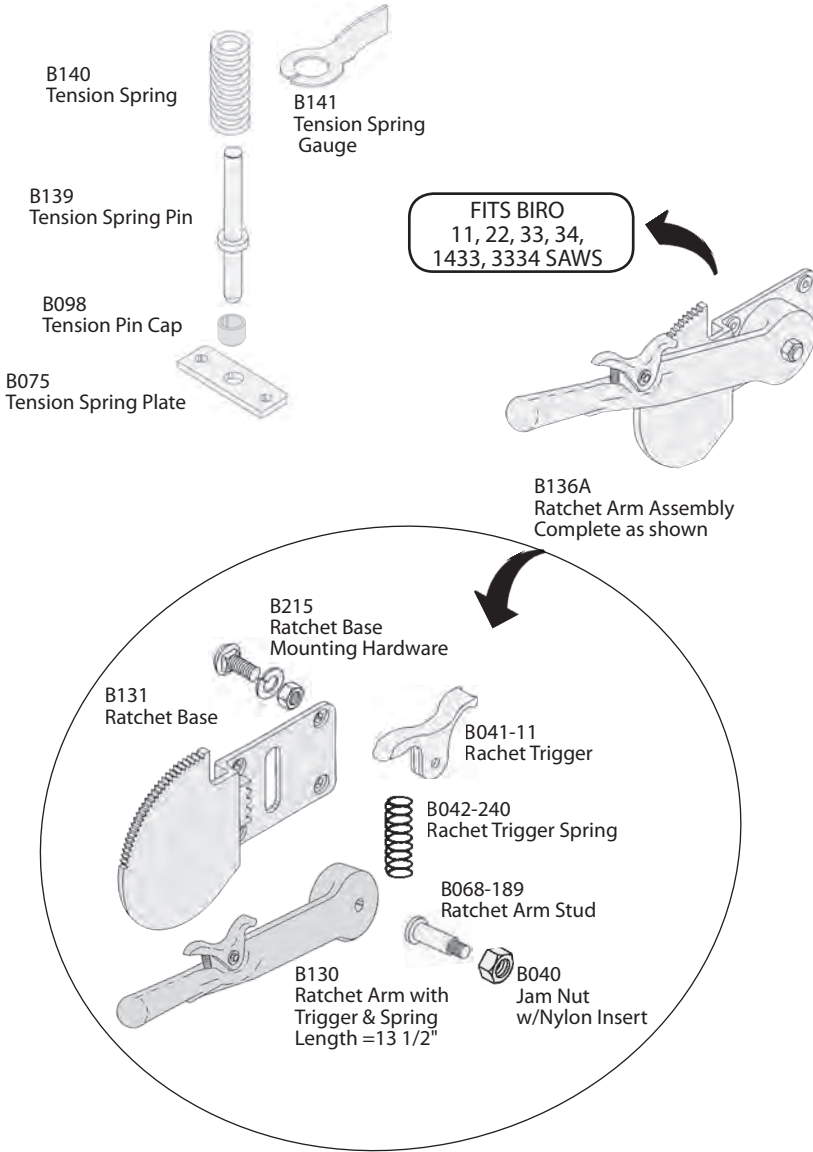
NBS P/N	OEM P/N	DESCRIPTION	11	22	33	34	44	3334	3334FH	4436
B004-131S	131	Blade Cleaner - Steel	X	X	X	X	X	X	X	X
B004-131N	131	Blade Cleaner - Nylon	X	X	X	X	X	X	X	X
B018	S16290	Cleaning Unit Stamping -SS						X	X	
B018AC	AS16290-1	Cleaning Unit Assy - W/ Carbide Block -SS						X	X	
B019	S295SS	Wheel Cleaner Arm -SS	X	X	X	X	X	X	X	X
B019A	A295	Wheel Cleaner Assy -SS	X	X	X	X	X	X	X	X
B021-244	244	Cleaner Arm Stud					X	X		X
B022-229	229	Cleaner Arm Spring				X	X			X
B026-291L	291	Cleaning Unit Fastener Knob	X	X	X	X	X	X	X	X
B029	S290	Cleaning Unit Stamping -SS					X	X		X
B029AC	AS290	Cleaning Unit Assy - W/ Carbide Block - Stainless Steel					X	X		X
B030	175-2-S	Bearing Thumb Screw				X	X	X	X	X
B037AC-16	16	Lower Carbide Block & Cleaner Holder Assembly with Steel Blade Cleaners				X	X	X	X	X
B037AC-16/SN	16	Lower Carbide Block & Cleaner Holder Assembly with Steel & Nyleen				X	X	X	X	X
B037-16Z	16	Guide Bearing & Cleaner Holder				X	X	X	X	X
B047-605	605	Lower Carbide Block				X	X	X	X	X
B224	HHS035S	Cleaning Unit Stud						X	X	
BSGB3444	228	Saw Guide Bearing				X	X	X	X	X

B064
Clear
Comp
PLAT

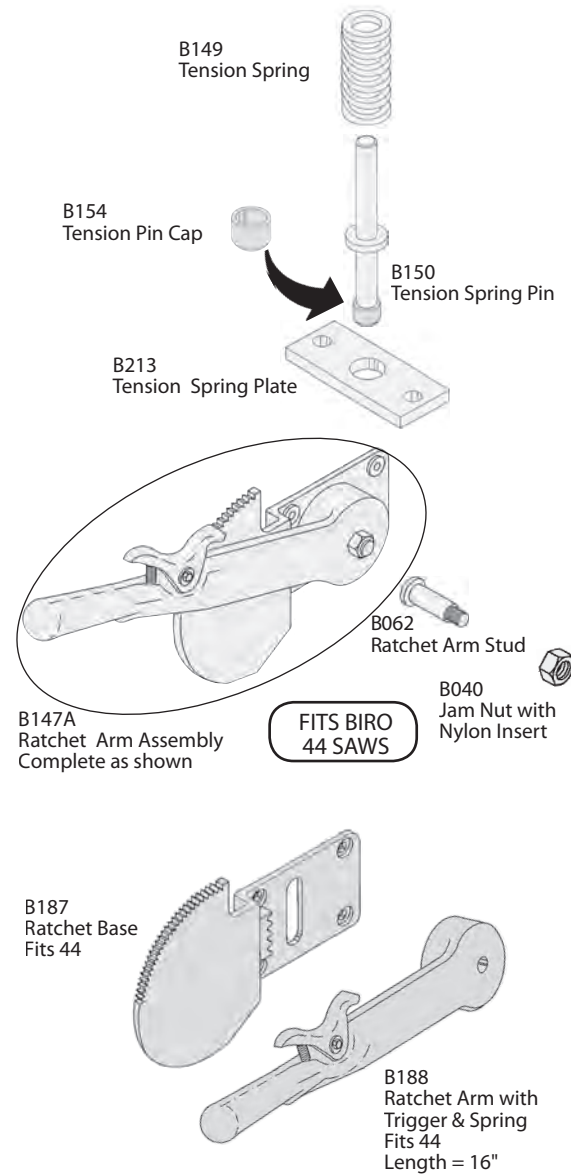
BIRO

BIRO RATCHET ARMS AND ASSEMBLIES

BIRO



FITS BIRO
11, 22, 33, 34,
1433, 3334 SAWS

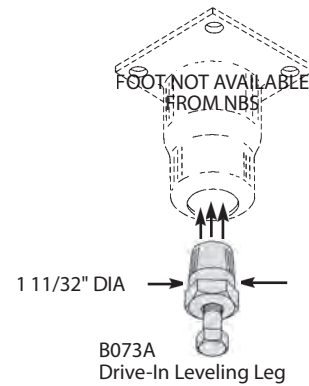


FITS BIRO
44 SAWS

FITS MODELS

NBS P/N	OEM P/N	DESCRIPTION	11	22	33	34	44	1433	1433FH	3334	3334FH	4436
B040	HN35S	Jam Nut with Nylon Insert	X	X	X	X	X	X		X		
B041-11	11	Ratchet Trigger	X	X	X	X	X	X		X		X
B042-240	240	Ratchet Trigger Spring	X	X	X	X	X	X		X		X
B062	S18189	Ratchet Arm Stud					X					
B068-189	189	Ratchet Arm Stud	X	X	X	X		X		X		
B075	118	Tension Spring Plate						X		X		
B098	198	Tension Pin Cap	X	X	X	X		X		X		
B130	10-1	Ratchet Arm	X	X	X	X		X		X		
B131	S19	Ratchet Base	X	X	X	X		X		X		
B136A	A19	Ratchet Arm Assembly Complete	X	X	X	X		X		X		
B139	111	Tension Spring Pin	X	X	X	X		X		X		
B140	196	Tension Spring	X	X	X	X		X		X		
B141	197	Tension Spring Gauge	X	X	X	X		X		X		
B147A	A18019	Ratchet Arm Assembly Complete					X					
B149	18196	Tension Spring					X					
B150	44-111	Tension Spring Pin -w/ Plastic Cap					X					
B154	18198	Tension Pin Cap					X					
B187	18019	Ratchet Base					X					
B188	18010	Ratchet Arm					X					X
B213	18118	Tension Spring Plate					X					X
B215	19CB	Ratchet Base Mounting Hardware		X				X		X		X

BIRO SLIDE GIBBS, DOOR LATCH/HINGES AND LEGS

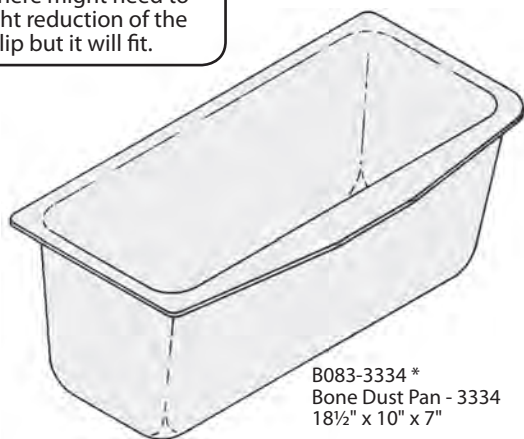


*The saw require 2 slide gibbs. The slide gibbs are universal and designed to just be reversed in direction when installing on the saw.

NBS P/N	OEM P/N	DESCRIPTION	11	22	33	34	44	1433	1433FH	3334	3334FH	4436
B035-14, 14A	14	Door Hinge	X	X	X	X	X					
B061-14	A16014	Door Hinge								X		
B073A	34-239-B30	Drive-In Leveling Leg			X	X				X		
B184	18260	Slide Gibb					X					
B185	260	Slide Gibb	X	X	X	X		X		X		
B186	360	Grease Fitting	X	X	X	X		X		X		
B206	16112	Door Latch					X	X	X	X	X	

BIRO SAW BONE DUST PANS

*This Bone Dust Pan can be used also on the Biro 34 Saw's. There might need to be a slight reduction of the side lip but it will fit.

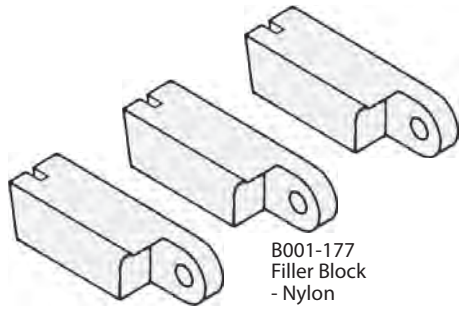


B082-44
Bone Dust Pan - 44
21 1/4" x 12 1/4" x 7"

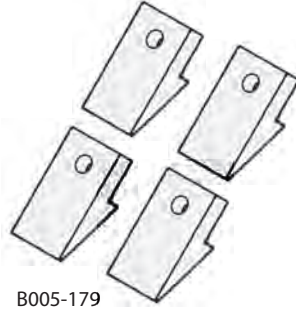
FITS MODELS

NBS P/N	OEM P/N	DESCRIPTION	11	22	33	34	44	3334	4436
B083-3334 *	16232	Bone Dust Pan - 3334 18 1/2" x 10" x 7"				X		X	
B082-44	232	Bone Dust Pan - 44 21 1/4" x 12 1/4" x 7"					X		

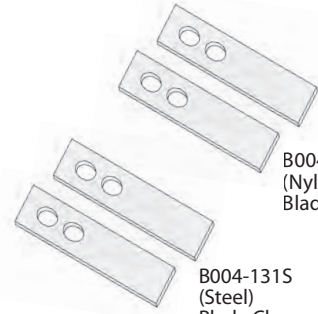
BRKFW
Biro Repair Kit
All Models



B001-177
Filler Block
- Nylon



B005-179
Wheel Cleaner
- Fiber



B004-131N
(Nyleen)
Blade Cleaner

B004-131S
(Steel)
Blade Cleaner

BRK-1
Biro Repair Kit
Models 11, 22, & 33
(With Bearings)



BSGB2233
Saw Guide Bearing



B030
Bearing Thumb Screw
& Washer

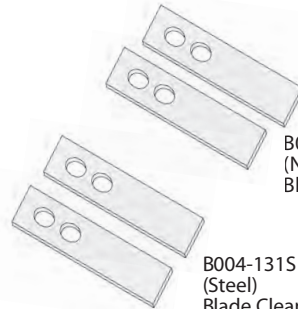


B008-311
Bumper



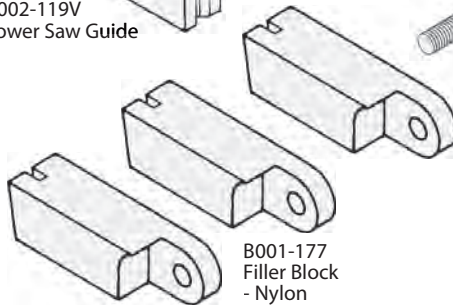
B002-119V
Lower Saw Guide

B017-268
Filler & Guide Stud

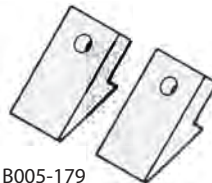


B004-131N
(Nyleen)
Blade Cleaner

B004-131S
(Steel)
Blade Cleaner



B001-177
Filler Block
- Nylon



B005-179
Wheel Cleaner
- Fiber



BRK-2
Biro Repair Kit
Models 11, 22, 33, 1433, 1433FH, 3334, 3334FH
(With Carbide)



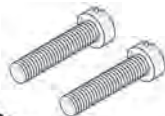
B045-602
Upper Guide
& Carbide Block



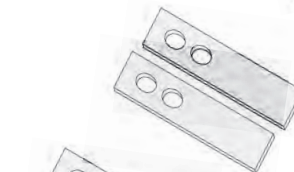
B008-311
Bumper



B002-119V
Lower Saw Guide

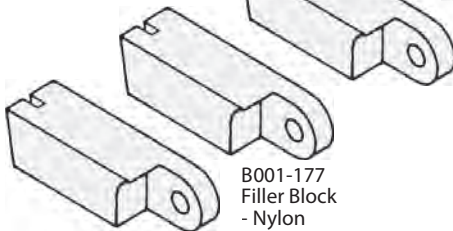


B017-268
Filler & Guide Stud



B004-131N
(Nyleen)
Blade Cleaner

B004-131S
(Steel)
Blade Cleaner

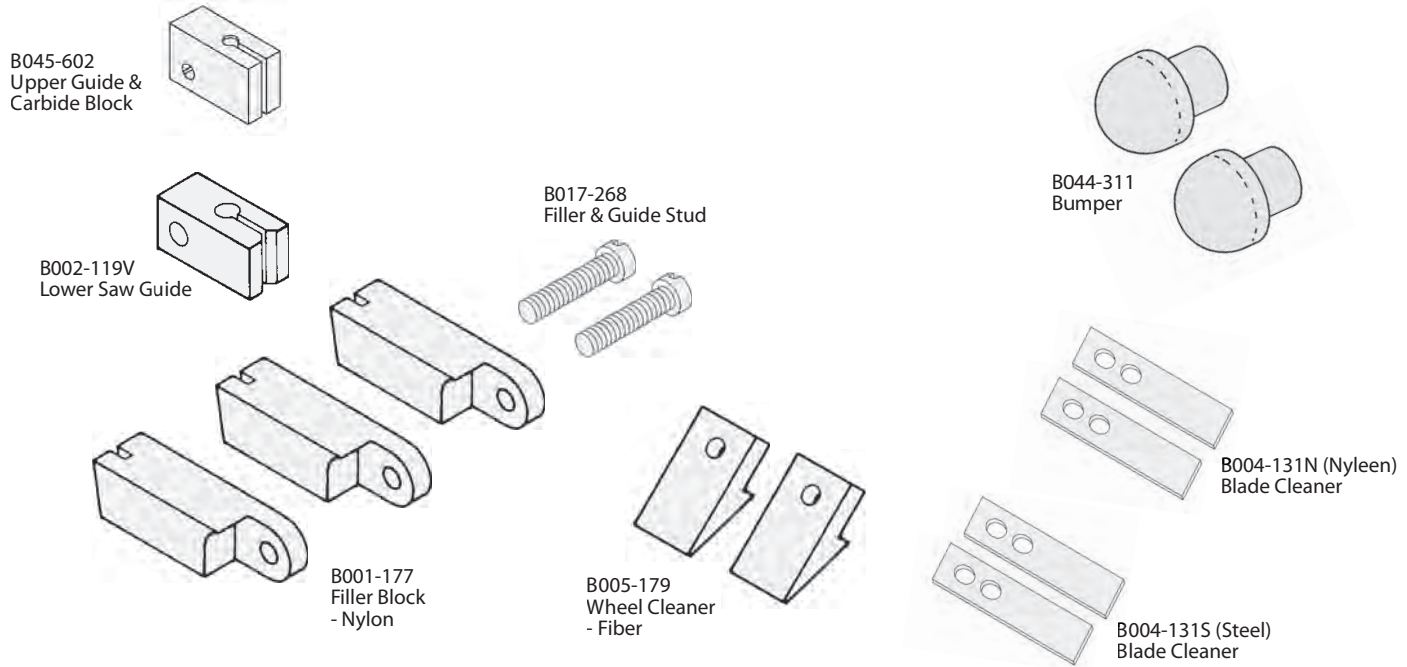


B001-177
Filler Block
- Nylon

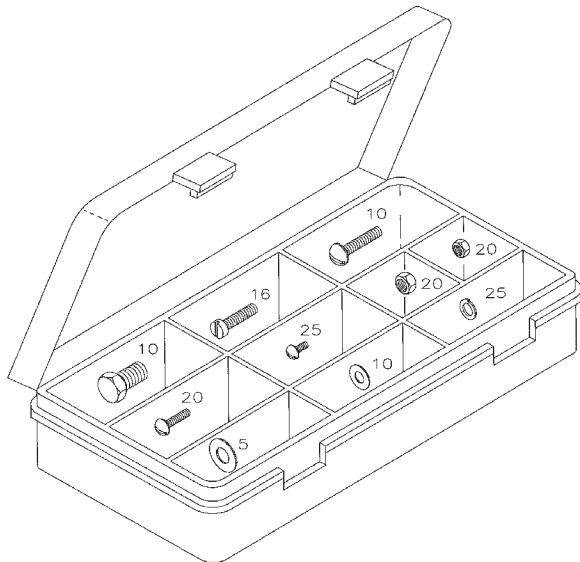


B005-179
Wheel Cleaner
- Fiber

BRK-4
Biro Repair Kit
Models 34, 44 & 4436
(With Carbide)

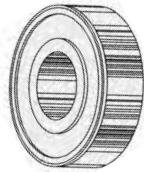


BRK-5
Hardware Kit
Biro Saws



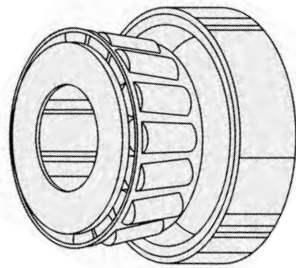
Kit consists of 151 STAINLESS STEEL nuts, bolts, screws and washers in a break resistant plastic container.

QTY	DESCRIPTION
10	1/4-20 x 3/8 HEX HEAD, CAP SCREW
16	10-24 x 7/8 FILLISTER, PHILLIPS SCREW
10	10-32 x 1 ROUND HEAD, PHILLIPS MACHINE SCREW
20	8-32 x 1/2 ROUND HEAD, PHILLIPS MACHINE SCREW
25	8-32 x 1/4 ROUND HEAD, PHILLIPS MACHINE SCREW
20	1/4-20 HEX NUT
20	10-32 HEX NUT
10	1/4 FLAT WASHER
5	3/8 FLAT WASHER
20	6/32 HEX NUT
20	8/32 HEX NUT



SAW GUIDE BEARINGS			
	Metal Shields	Neoprene Seals (Water Resistant)	Metal Shields
	ID 15/32"	ID 15/32"	ID 11/16"
	OD 1 1/4"	OD 1 1/4"	OD 1 9/16"
MODEL #	NBS # BSGB2233	NBS # BSGBN2233	NBS # BSGB3444
11	X	X	
22	X	X	
33	X	X	
33 NEW	X	X	
34			X
34 NEW			X
3334	X	X	
3334 NEW	X	X	
44			X
4436			X

BPRO

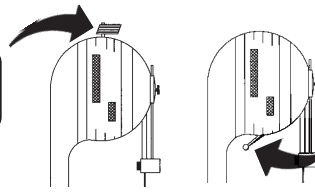


UPPER MAIN BEARING			
	ID Approx 1"	ID 1"	ID 1 1/8"
	OD Approx 2 1/16"	OD 2 3/8"	OD 2 3/8"
MODEL #	NBS # BMB100/204	NBS # BMB523/578	NBS # BMB523/590
11	X		
22	X		
33	X		
33 NEW	X		
34	X		
34 NEW	X		
3334	X		
3334 NEW	X		
44			X
4436			X

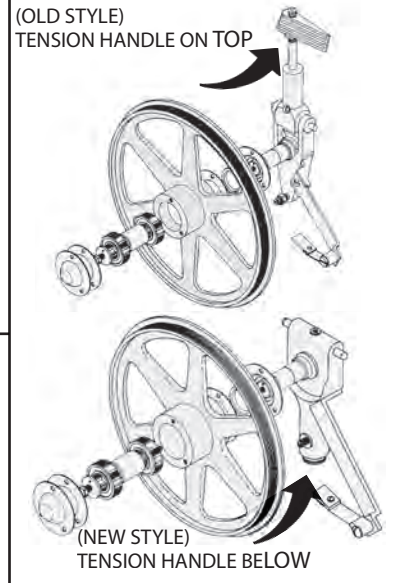
LOWER MAIN BEARING			
	ID Approx 1"	ID 1"	ID 1 1/8"
	OD Approx 2 1/16"	OD 2 3/8"	OD 2 3/8"
MODEL #	NBS # BMB100/204	NBS # BMB523/578	NBS # BMB523/590
11	X		
22	X		
33	X		
33 NEW		X	
34		X	
34 NEW		X	
3334		X	
3334 NEW		X	
44			X
4436			X

WHEELS, SHAFT & WHEEL ASSEMBLIES

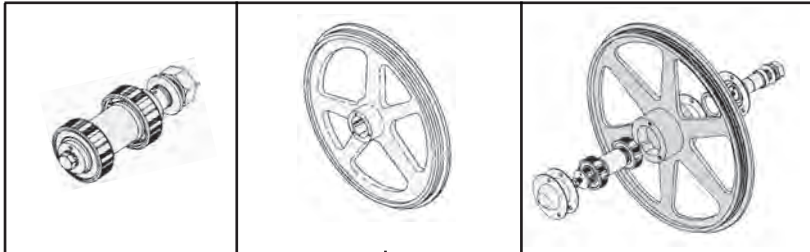
"OLD" B16-
Tension Handle located
on top of Upper Wheel



"NEW" B16- B16F
MFG after 1990
Tension Handle located
below Upper Wheel



UPPER WHEEL



SAW MODEL #	SHAFT & BEARING ASSEMBLY	WHEEL ONLY	WHEEL DIAMETER	WHEEL ASSEMBLY*	*WHEEL ASSEMBLY WITH HANGER
B12	BB019A-7	BB105U	12"	BB107A	BB108AH-12 (OLD STYLE)
B14	BB019A-7	BB082-149	14"	BB082A-149	BB085AH-14 (OLD STYLE)
B16	BB019A-7	BB080-169	16"	BB080A-169	BB086AH-16 (OLD) / BB103AH-16 (NEW)
B16 -LEFT HAND	BB019A-7	BB194-LH NEW	16"	BB196A-LH NEW	BB210A-LH NEW
1435	BB019A-7	BB082-149	14"	BB082A-149	BB085AH-14 (OLD STYLE)
1640	BB019A-7	BB080-169	16"	BB080A-169	BB103AH-16 (NEW STYLE)
COBRA 14	BB019A-7	BB082-149	14"	BB082A-149	BB085AH-14 (OLD STYLE)
COBRA 16	BB019A-7	BB080-169	16"	BB080A-169	BB103AH-16 (NEW STYLE)
SA20	BB019A-7	BB113U	20 1/2"	BB109A	BB165A
SA20 -LEFT HAND	BB019A-7	BB206-LH NEW	20 1/2"	BB207A-LH NEW	BB208A-LH NEW

LH = LEFT HANDED
fits.. LEFT HANDED
SAW ONLY

* Complete with Wheel, Shaft, Bearings,
Seal, Gaskets, Spacer, Hub Cap & Retainer

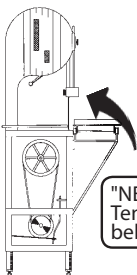
HANGER ASSEMBLIES

BB102A
Upper Wheel Hanger -
New Style (Complete with
Tension Gauge Indicator,
Spring & Cleaner Arm
Assembly)

BB164A
Upper Wheel Hanger Assy
(Complete with
Tension Gauge Indicator,
Spring & Cleaner Arm
Assembly)
Fits SA20

BB111
Wheel Adjusting
Screw & Nut

BB101A
Tension Adjusting
Screw & Handle Assembly
N/S B16



"NEW" B16-
Tension Handle located
below Upper Wheel



BB102A
fits..... Wheel:
B16 - BB103AH-16
1640 - BB103AH-16
COBRA 16 - BB103AH-16

BB164A
fits..... Wheel
SA20 - BB165A
SA20 LH - BB208A-LH



BB087A-18
B16 Tension
Hanger Assembly

fits..... Wheel
B16 -BB086AH-16

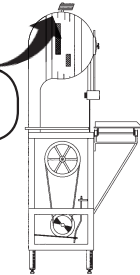
BB088A-18
B14 Tension
Hanger Assembly

fits.....
B14, COBRA 14, 1640
BB085AH-14

BB089A-18
B12 Tension
Hanger Assembly

fits..... Wheel
B12 -BB108AH-12

"OLD" B16-
Tension Handle located on
top of Upper Wheel

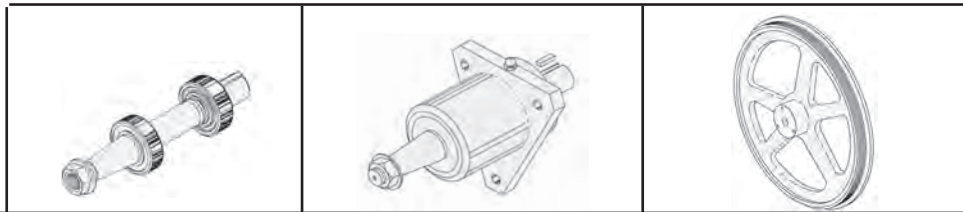


BUTCHER BOY

LOWER WHEELS

Don't forget Saw Blades

- Butcher Boy - Royal..... 100"
- Butcher Boy - Junior..... 105"
- Butcher Boy - Senior..... 118"
- Butcher Boy - B12.....98"
- Butcher Boy - B14, Cobra 14..... 112"
- Butcher Boy - B16, SA16, Cobra 16..... 126"
- Butcher Boy - SA20..... 154"



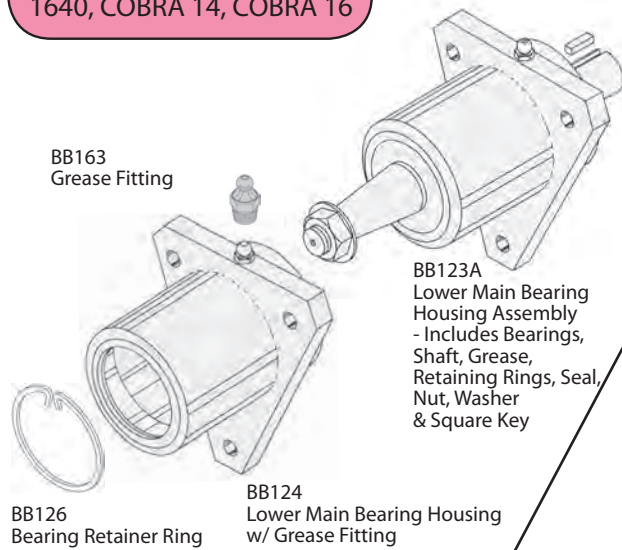
SAW MODEL #	SHAFT & BEARING ASSEMBLY	MAIN BEARING HOUSING ASSEMBLY	WHEEL ONLY	WHEEL DIAMETER
B12	BB020A-23	BB123A	BB106L	12"
B14	BB020A-23	BB123A	BB083-1410	14"
B16	BB020A-23	BB123A	BB081-1610	16"
B16 -LEFT HAND	BB020A-23	BB123A	BB195-LH NEW	16"
1435	BB020A-23	BB123A	BB083-1410	14"
1640	BB020A-23	BB123A	BB081-1610	16"
COBRA 14	BB020A-23	BB123A	BB083-1410	14"
COBRA 16	BB020A-23	BB123A	BB081-1610	16"
SA20	BB020A-23	BB181A	BB114L	20 1/2"
SA20 -LEFT HAND	BB020A-23	BB181A	BB209-LH NEW	20 1/2"

LH = LEFT HANDED fits... LEFT HANDED SAW ONLY

LOWER WHEEL BEARING HOUSING ASSEMBLIES

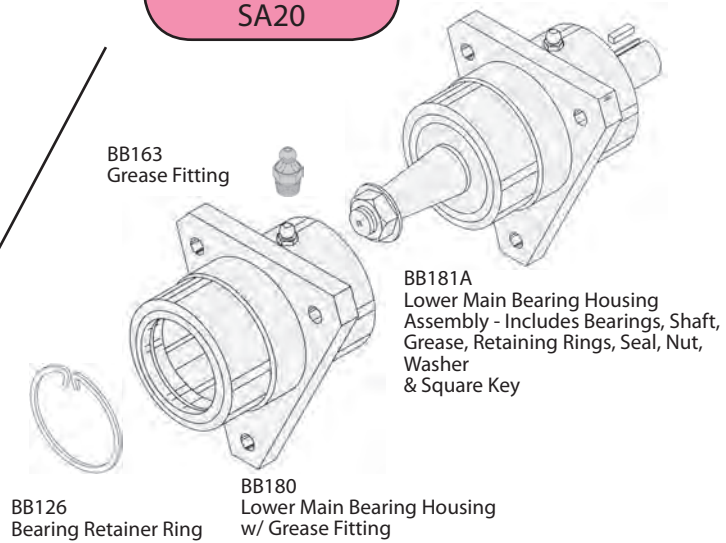
BB123A

Fits...Butcher Boy:
B12, B14, B16, 1435,
1640, COBRA 14, COBRA 16



BB181A

Fits... Butcher Boy
SA20

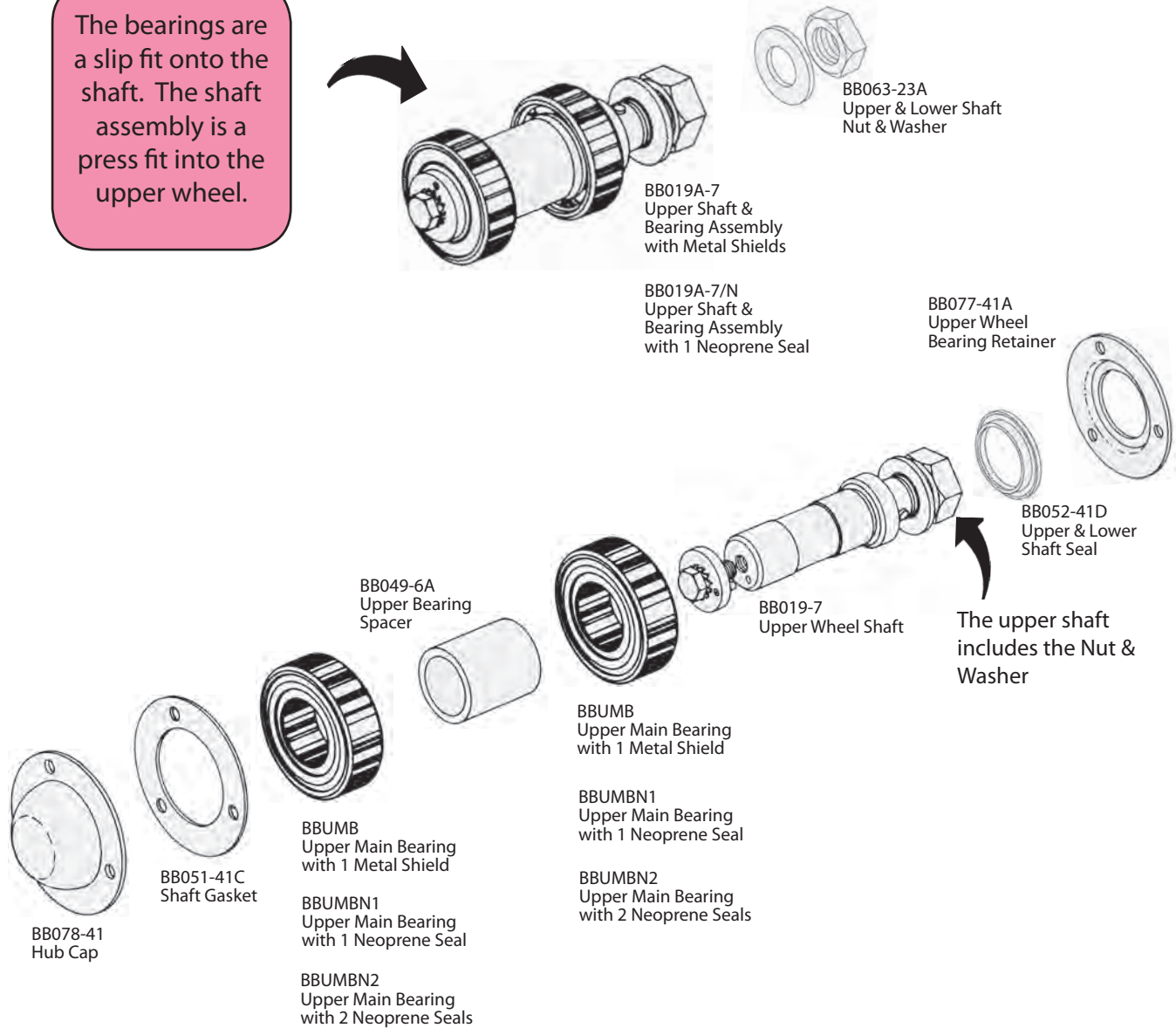


FITS MODELS

NBS P/N	OEM P/N	DESCRIPTION	B12	B14	B16	1435	1640	COBRA		SA20
								14	16	
BB123A	10025	Lower Main Bearing Housing Assembly	X	X	X	X	X	X	X	
BB124	(22A) 10024	Lower Main Bearing Housing	X	X	X	X	X	X	X	
BB126	(41B) 90200	Bearing Retainer Ring	X	X	X	X	X	X	X	X
BB163		Grease Fitting	X	X	X	X	X	X	X	X
BB180	20108	Lower Main Bearing Housing								X
BB181A	20274	Lower Main Bearing Housing Assembly								X

UPPER SHAFT

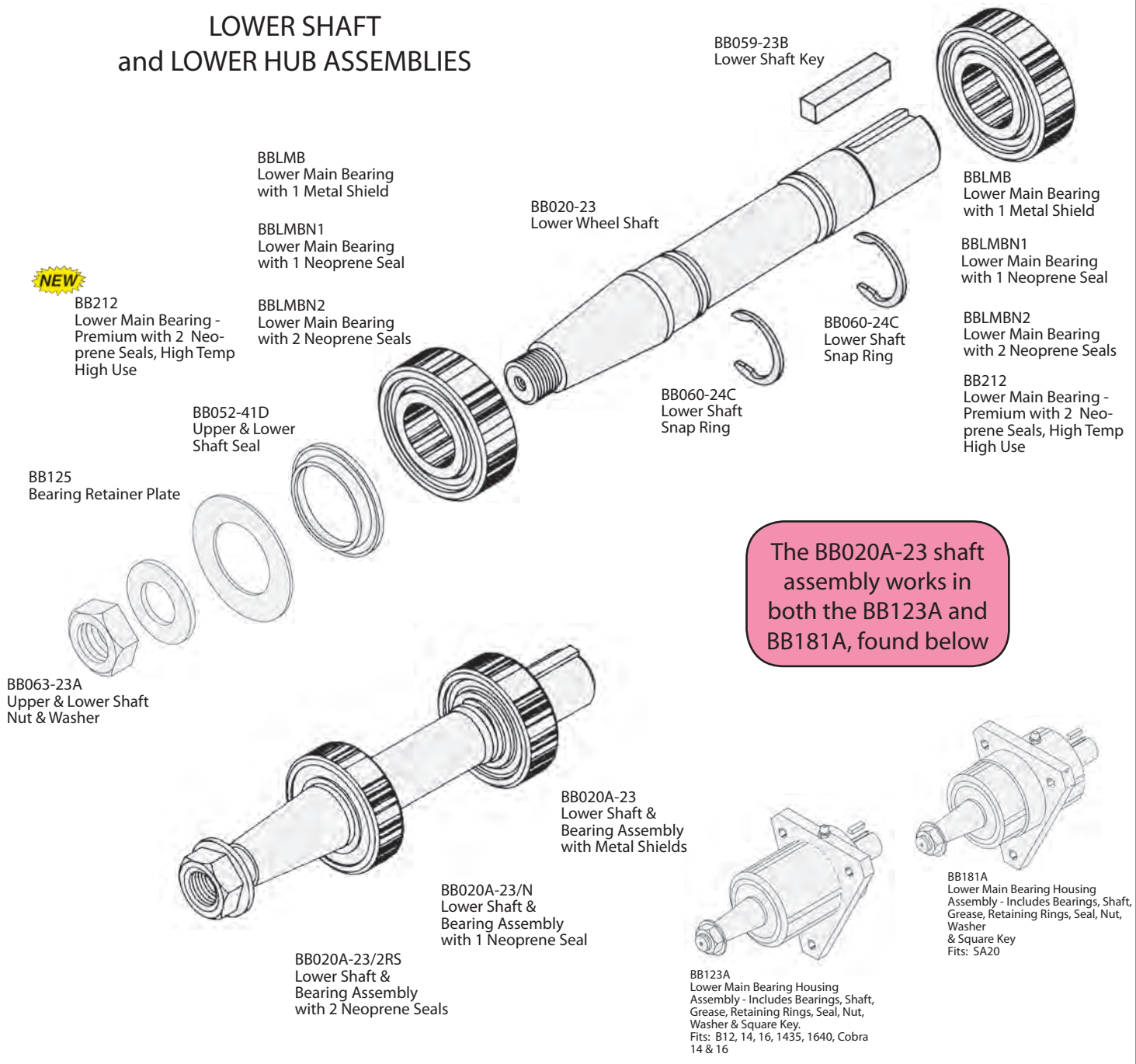
The bearings are a slip fit onto the shaft. The shaft assembly is a press fit into the upper wheel.



FITS MODELS

NBS P/N	OEM P/N	DESCRIPTION	B12	B14	B16	1435	1640	COBRA		
								14	16	SA20
BB019-7	10150 / 10018	Upper Wheel Shaft	X	X	X	X	X	X	X	X
BB019A-7	10574	Upper Shaft & Bearing Assembly with Metal Shields	X	X	X	X	X	X	X	X
BB019A-7/N	10574	Upper Shaft & Bearing Assembly with Neoprene Seals	X	X	X	X	X	X	X	X
BB049-6A	(6A) 10258	Upper Bearing Spacer	X	X	X	X	X	X	X	X
BB051-41C	(41C) 10127	Shaft Gasket	X	X	X	X	X	X	X	X
BB052-41D	(41D) 90400	Upper & Lower Shaft Seal	X	X	X	X	X	X	X	X
BB063-23A	10770	Upper & Lower Shaft Nut & Washer	X	X	X	X	X	X	X	X
BB077-41A	(41A) 10030	Upper Wheel Bearing Retainer	X	X	X	X	X	X	X	X
BB078-41	(41C) 10031	Hub Cap	X	X	X	X	X	X	X	X
BBUMB	(6) 90302	Upper Main Bearing with 1 Metal Shield	X	X	X	X	X	X	X	X
BBUMBN1	(6) 90302	Upper Main Bearing with 1 Neoprene Seal	X	X	X	X	X	X	X	X
BBUMBN2	(6) 90302	Upper Main Bearing with 2 Neoprene Seals	X	X	X	X	X	X	X	X

LOWER SHAFT and LOWER HUB ASSEMBLIES



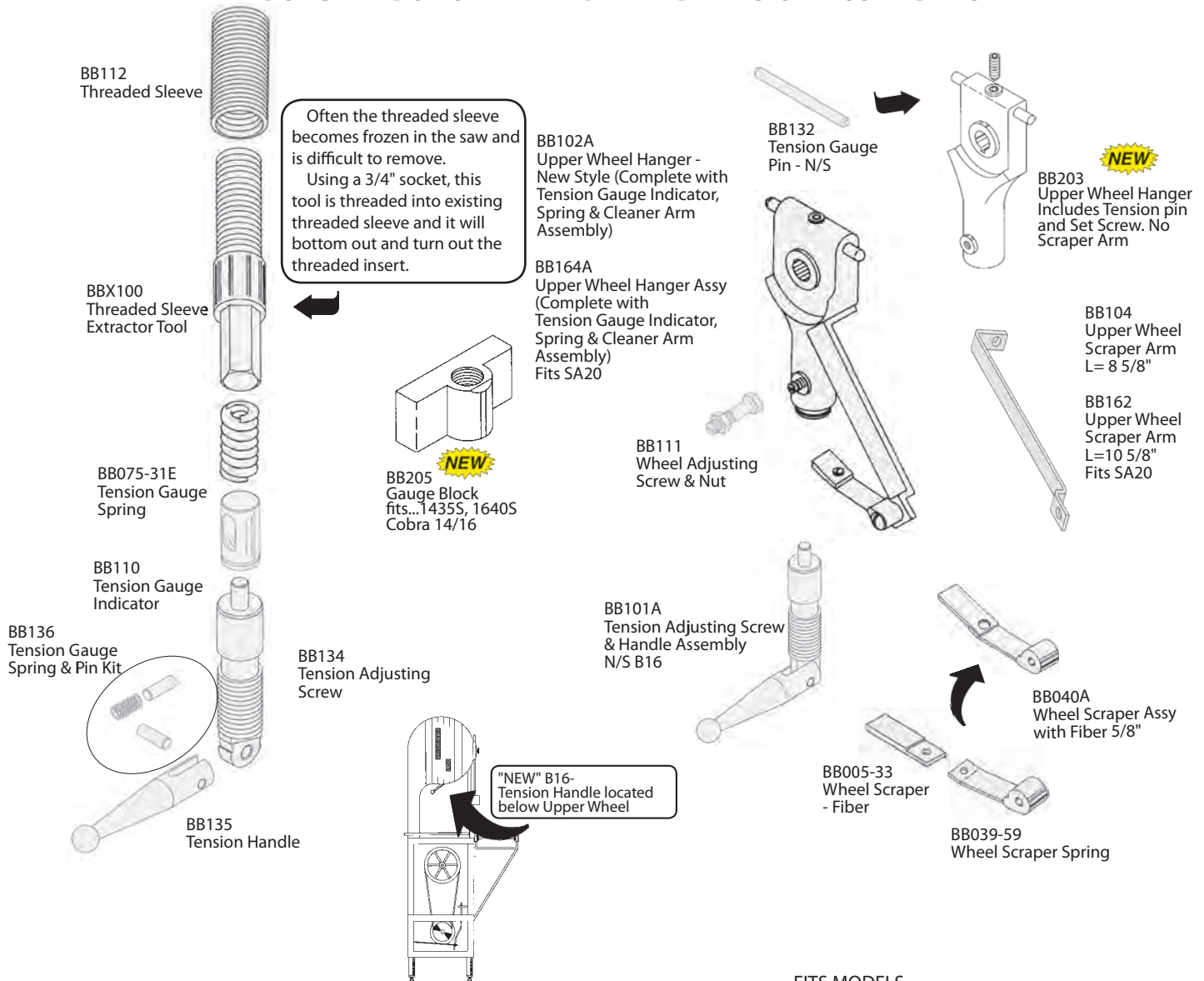
The BB020A-23 shaft assembly works in both the BB123A and BB181A, found below

FITS MODELS

NBS P/N	OEM P/N	DESCRIPTION	B12	B14	B16	1435	1640	COBRA		
								14	16	SA20
BB020-23	(23) 10023	Lower Wheel Shaft	X	X	X	X	X	X	X	X
BB020A-23	10575	Lower Shaft & Bearing Assembly with Metal Shields	X	X	X	X	X	X	X	X
BB020A-23/N	(23) 10023	Lower Shaft & Bearing Assembly with 1 Neoprene Seal	X	X	X	X	X	X	X	X
BB020A-23/2RS	(23) 10023	Lower Shaft & Bearing Assembly with 2 Neoprene Seals	X	X	X	X	X	X	X	X
BB052-41D	(41D) 90400	Upper & Lower Shaft Seal	X	X	X	X	X	X	X	X
BB059-23B	(23B) 59247-8	Lower Shaft Key	X	X	X	X	X	X	X	X
BB060-24C	(24C) 90201	Lower Shaft Snap Ring	X	X	X	X	X	X	X	X
BB063-23A	10770	Upper & Lower Shaft Nut & Washer	X	X	X	X	X	X	X	X
BB125	(41E) 10029	Bearing Retainer Plate	X	X	X	X	X	X	X	X
BBLMB	(24) 90300	Lower Main Bearing with 1 Metal Shield	X	X	X	X	X	X	X	X
BBLMBN1	(6) 90300	Lower Main Bearing with 1 Neoprene Seal	X	X	X	X	X	X	X	X
BBLMBN2	(6) 90300	Lower Main Bearing with 2 Neoprene Seals	X	X	X	X	X	X	X	X

BUTCHER BOY SAW HANGER AND TENSION ASSEMBLIES

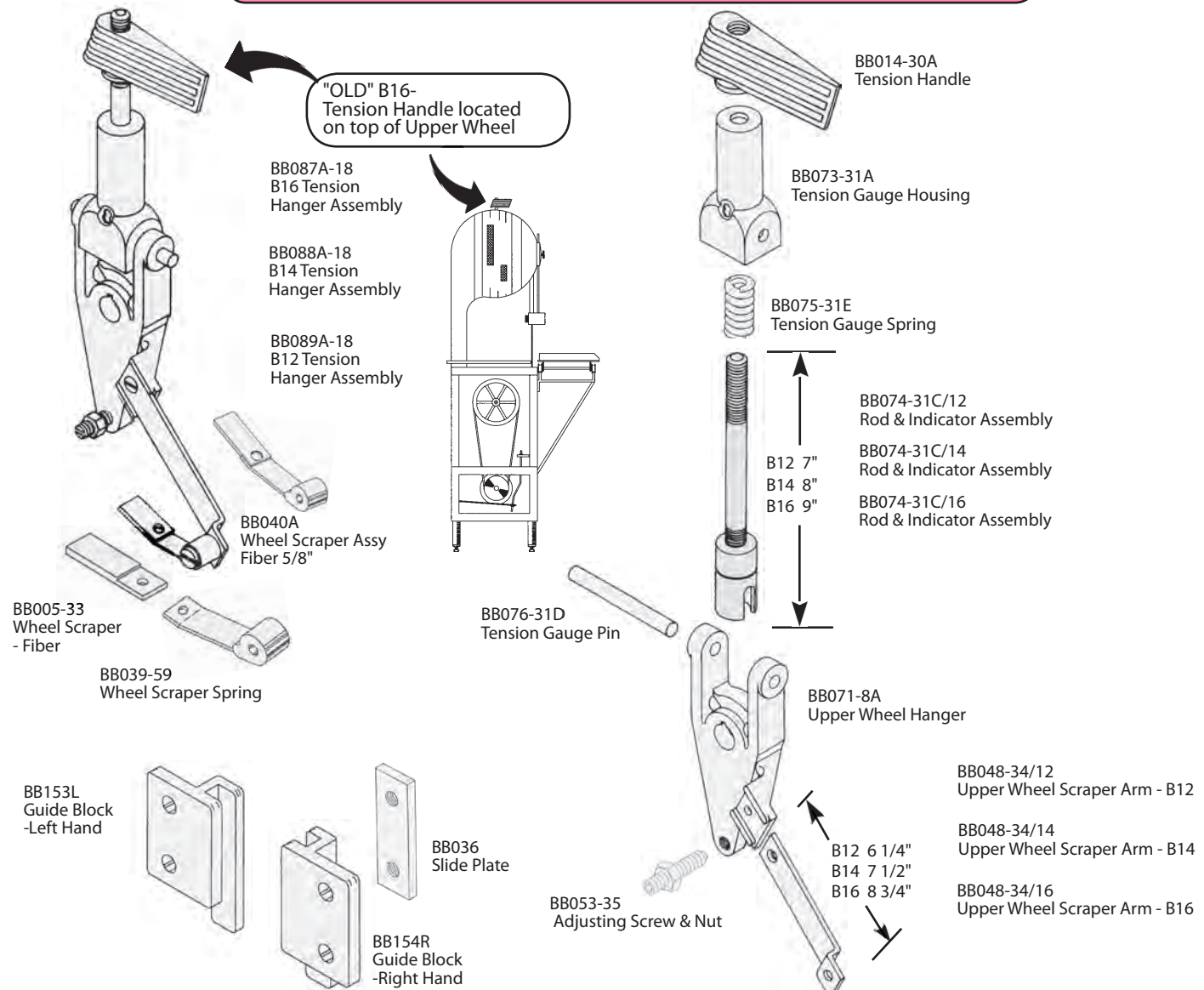
BUTCHER BOY



FITS MODELS

NBS P/N	OEM P/N	DESCRIPTION	COBRA							
			B12	B14	B16	1435	1640	14	16	SA20
BB005-33	(33) 10040	Wheel Scraper - Fiber	X	X	NEW	X	X	X	X	X
BB036	16092	Slide Plate			X					
BB040A	10377	Wheel Scraper Assy - Fiber	X	X	X	X	X	X	X	X
BB075-31E	(31E) 10082	Tension Gauge Spring	X	X	NEW	X	X	X	X	X
BB101A	16089	Tension Adjusting Screw & Handle Assembly			NEW		X	X	X	
BB102A	16059	Upper Wheel Hanger - New Style			NEW		X	X	X	
BB104	(34) 16511	Upper Wheel Scraper Arm			NEW		X	X	X	
BB110	(31H) 10056	Tension Gauge Indicator			NEW		X	X	X	X
BB111	(35A) 16022	Wheel Adjusting Screw & Nut			NEW		X		X	X
BB112	(31K) 10034	Threaded Sleeve			NEW		X	X	X	X
BB132	(31G) 16034	Tension Gauge Pin - N/S			NEW		X		X	X
BB134	(31J) 10033	Tension Adjusting Screw			NEW		X	X	X	
BB135	(30C) 16090	Tension Handle			NEW		X	X	X	X
BB136	(31F) 16095	Tension Gauge Spring & Pin Kit			NEW		X	X	X	X
BB162	20902	Upper Wheel Scraper Arm								X
BB164A	20540	Upper Wheel Hanger Assy								X
BB203	16059	Upper Wheel Hanger Body Only w/Tension Pin			NEW		X	X	X	
BB205	16621 / 1662	Gauge Block - Cobra				X	X	X	X	
BBX100		Threaded Sleeve Extractor Tool	X	X	X	X	X	X	X	X

BUTCHER BOY SAW HANGER ASSEMBLY - OLD STYLE

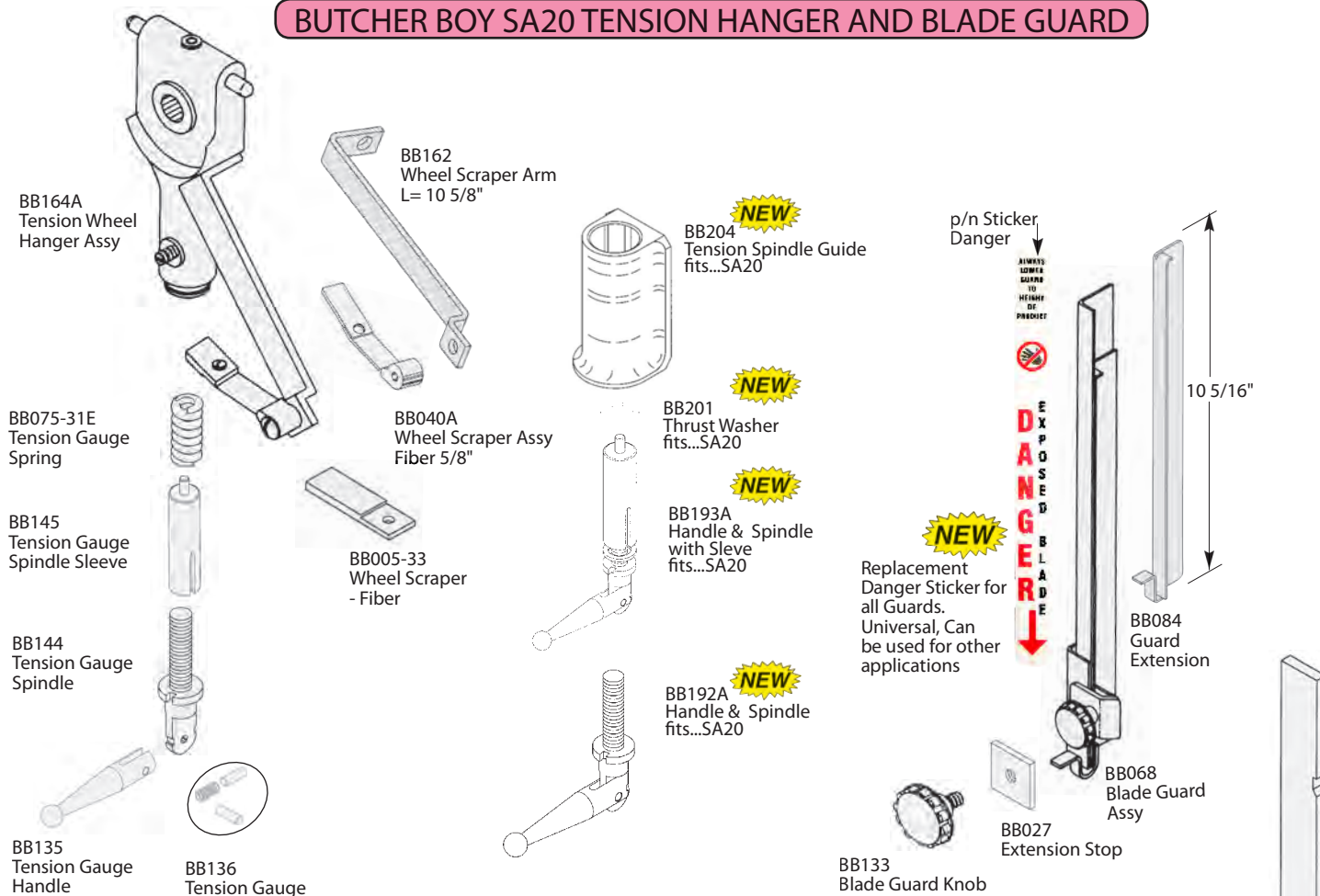


FITS MODELS

COBRA

NBS P/N	OEM P/N	DESCRIPTION	B12	B14	B16	1435	1640	14	16	SA20
BB005-33	(33) 10040	Wheel Scraper - Fiber	X	X	OLD	X	X	X	X	
BB014-30A	(30A) 10141	Tension Handle	X	X	OLD	X		X		
BB036	16092	Slide Plate			NEW					
BB039-59	(59) 10277	Wheel Scraper Spring	X	X	OLD	X	X	X	X	
BB040A	10377	Wheel Scraper Assy - Fiber	X	X	X	X	X	X	X	
BB048-34/12	(34)	Upper Wheel Scraper Arm - B12	X							
BB048-34/14	(34)	Upper Wheel Scraper Arm - B14		X		X		X		
BB048-34/16	(34)	Upper Wheel Scraper Arm - B16			OLD					
BB053-35	(35) 14475	Adjusting Screw & Nut				X	X	X		
BB071-8A	(8A) 10280	Upper Wheel Hanger	X	X	OLD	X		X		
BB073-31A	(31A) 10278	Tension Gauge Housing	X	X	OLD	X		X		
BB074-31C/12	(31C)	Rod & Indicator Assembly	X							
BB074-31C/14	(31C)	Rod & Indicator Assembly		X		X		X		
BB074-31C/16	(31C)	Rod & Indicator Assembly			OLD					
BB075-31E	(31E) 10082	Tension Gauge Spring	X	X	X	X	X	X	X	
BB076-31D	(31D)	Tension Gauge Pin	X	X	OLD	X	X	X	X	
BB087A-18	(18A)	B16 Tension Hanger Assembly			OLD					
BB088A-18	(18)	B14 Tension Hanger Assembly		X		X		X		
BB089A-18	(18)	B12 Tension Hanger Assembly	X							
BB153L	10282	Guide Block - Left Hand	X	X	NEW	X	X	X	X	X
BB154R	10283	Guide Block - Right Hand	X	X	NEW	X	X	X	X	X

BUTCHER BOY SA20 TENSION HANGER AND BLADE GUARD



BUTCHER BOY

FITS MODEL

NBS P/N	OEM P/N	DESCRIPTION	SA20
BB001A-20A/L	(20A) FH55-14	Threaded Stud	X
BB002-21V	(21) 10002	Lower Saw Guide with "V" Front	X
BB002-21VC	20785	Lower Saw Guide with Carbide Insert	X
BB005-33	10037	Wheel Scraper Assy	X
BB027	(90B) 10714	Extension Stop	X
BB040A	10377	Wheel Scraper Assy	X
BB075-31E	(31E) 10082	Tension Gauge Spring	X
BB084	10712	Guard Extension	X
BB095-14A	(39) 10717	Adjusting Bar Guide w/Spindle Lock	X
BB133	(90C) 95084	Blade Guide Knob	X
BB135	(30) 16090	Tension Gauge Handle	X
BB136	(31F) 16095	Tension Gauge Spring & Pin Kit	X
BB144	(14A) 20652	Tension Gauge Spindle	X
BB145	(15A) 20655	Tension Gauge Spindle Sleeve	X
BB150	(37A) 20781	Blade Support Adjusting Bar	X
BB151	(128) 20782	Blade Guide Holder	X
BB152	(131) 20789	Hand Grip Round Nut	X
BB162	20902	Tension Wheel Scraper Arm	X
BB164A	20540	Upper Wheel Hanger Assy	X
BB192A	20653	Handle & Spindle Assembly - SA20	X
BB193A	20656	Handle & Spindle w/Sleeve Assembly - SA20	X
BB201	20258	Thrust Washer	X
BB204	20649	Tension Spindle Guide	X

NEW
NEW
NEW
NEW

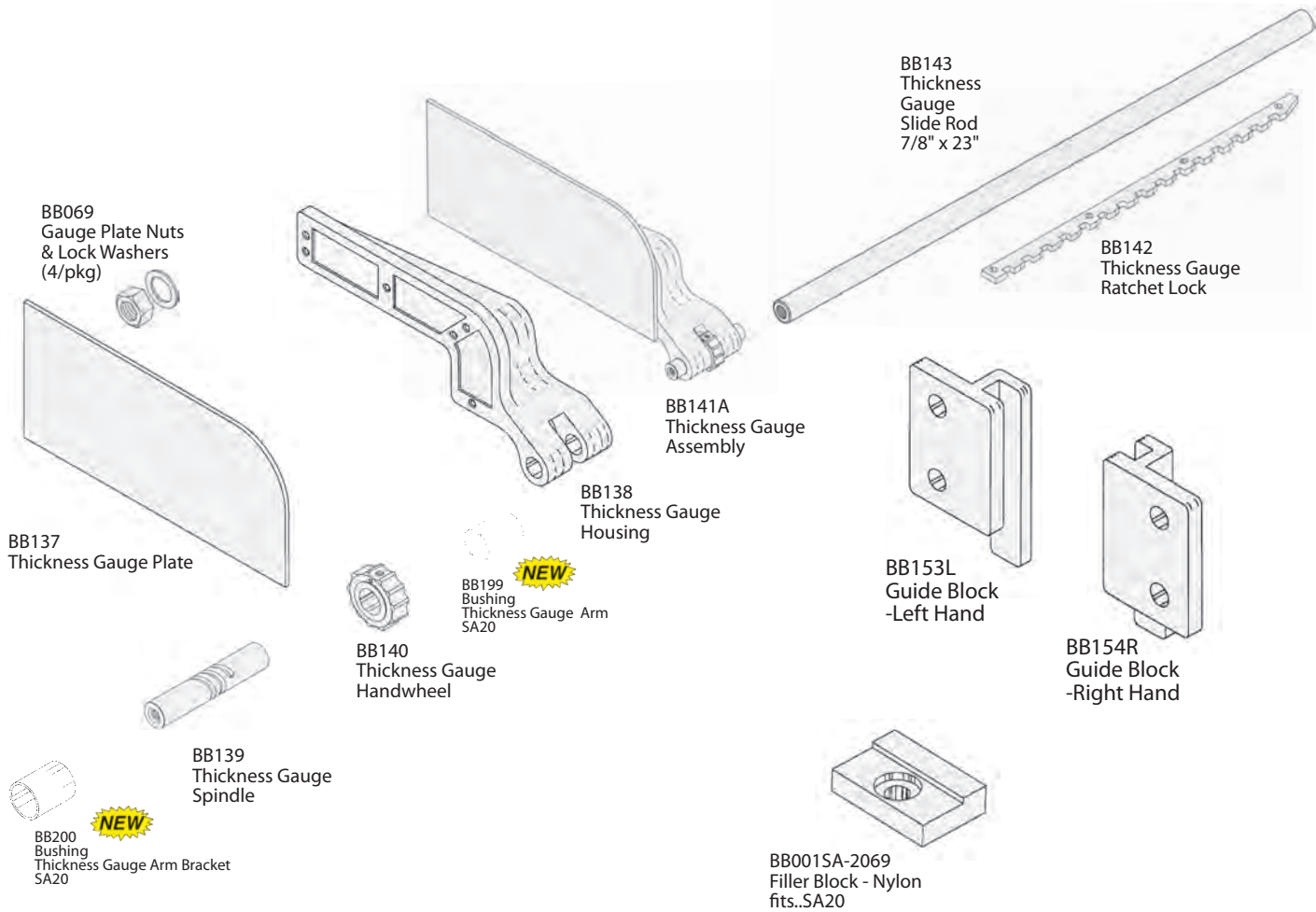
p/n Sticker, Danger
 ALWAYS LEAVE GUARD TO HEIGHT OF PRODUCT
EXPOSED BLADE
DANGER
 Replacement Danger Sticker for all Guards. Universal, Can be used for other applications

BB133 Blade Guard Knob

BB001A-20A/L Threaded Stud

BB002-21V Lower Saw Guide with "V" Front
 BB002-21VC Lower Saw Guide with Carbide Insert

BUTCHER BOY SA20 GAUGE PLATE AND GUIDE BLOCKS



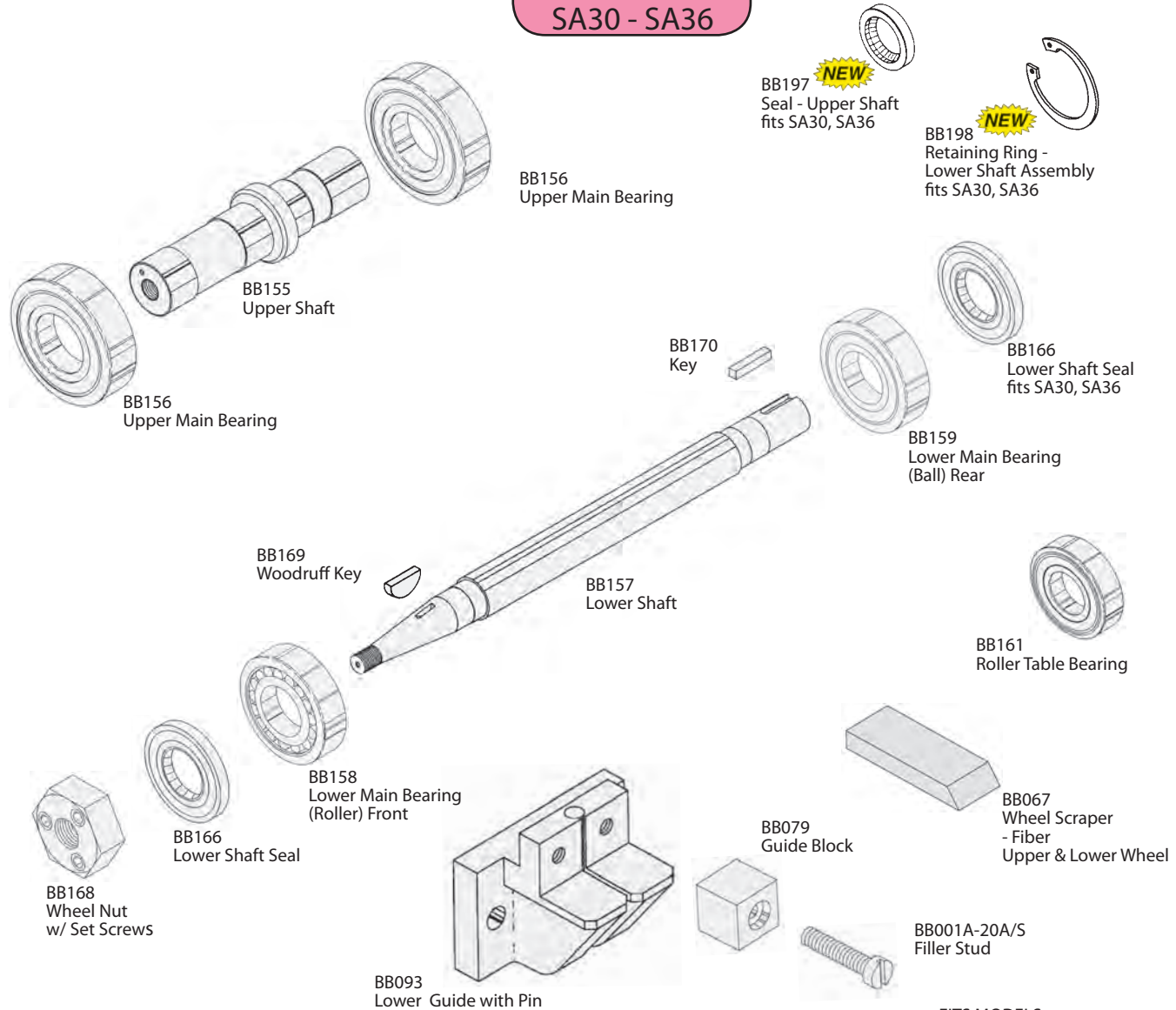
FITS MODEL

NBS P/N	OEM P/N	DESCRIPTION	SA20
BB001SA-2069	2014	Filler Block - Nylon	X
BB069	N/A	Gauge Plate Nuts & Lock Washers (4/pkg)	X
BB137	(50C) 20687	Thickness Gauge Plate, Right Hand	X
BB138	(050B) 20211	Thickness Gauge Housing, Right Hand	X
BB139	(52A) 20213	Thickness Gauge Spindle	X
BB140	(51A) 20896	Thickness Gauge Handwheel	X
BB141A	(137) 20340	Thickness Gauge Assembly, Right Hand	X
BB142	(54A) 20215	Thickness Gauge Ratchet Lock	X
BB143	(56A) 20217	Thickness Gauge Slide Rod	X
BB153L	10282	Guide Block - Left Hand	X
BB154R	10283	Guide Block - Right Hand	X
BB199	90765	Bushing, Thickness Gauge Arm (Right Hand)	X
BB200	90756	Bushing, Thickness Gauge Arm Bracket	X

Don't forget to pick up some spare Bone-In cutting blades. Butcher Boy - SA20.....SB154" found on page 60 or 61

Boneless Cutting Blades SA20.....BK154 found on page 60 OR 61

FITS
SA30 - SA36



FITS MODELS

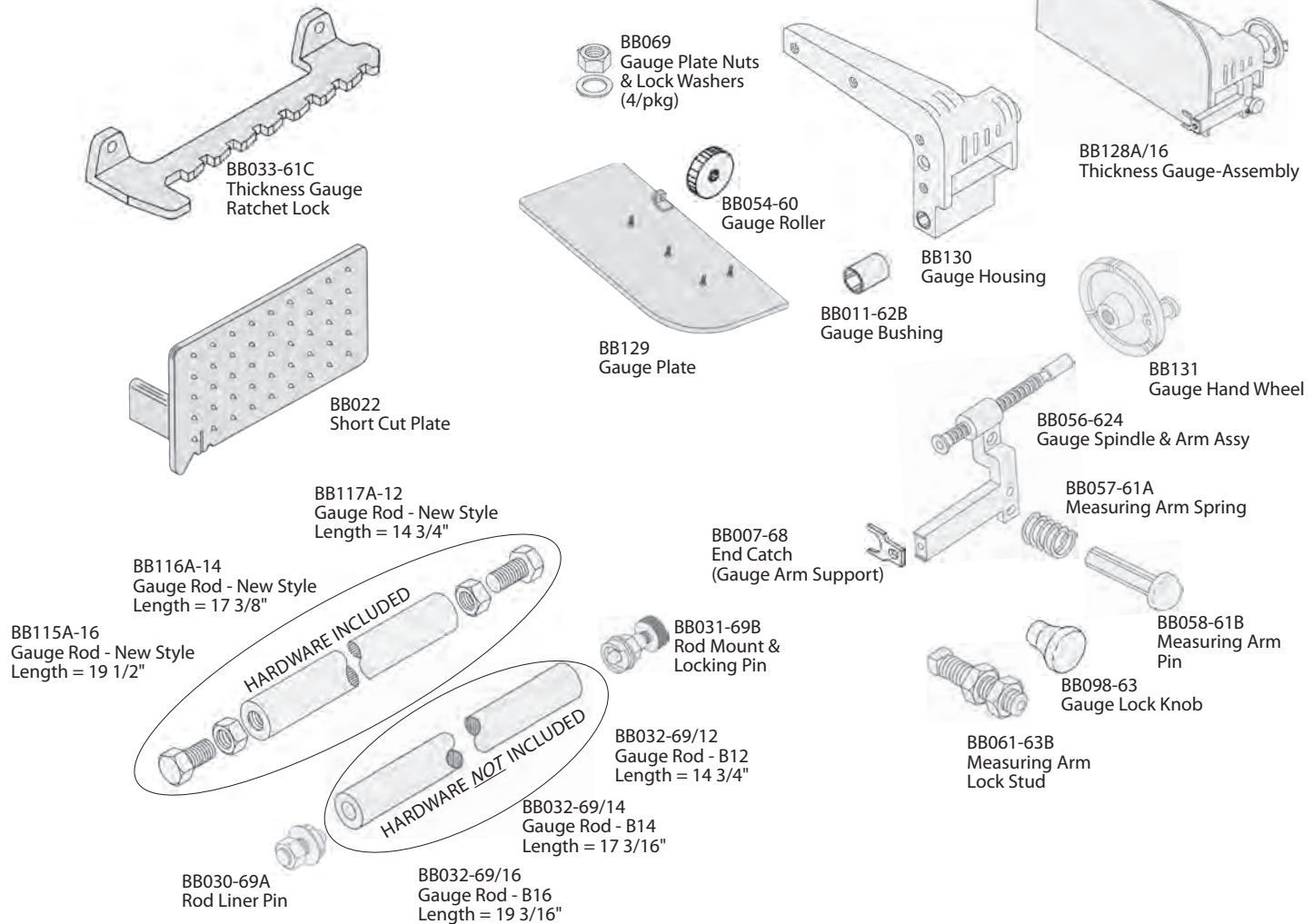
NBS P/N	OEM P/N	DESCRIPTION	SA30	SA36
BB001A-20A/S	(15B) FHSS-19-16-N	Filler Stud	X	X
BB067	30092	Wheel Scraper - Fiber Upper & Lower Wheel	X	X
BB079	30090	Guide Block	X	X
BB093	30134	Lower Guide with Pin	X	X
BB155	(23) 30084	Upper Shaft	X	X
BB156	(31) 90306	Upper Main Bearing	X	X
BB157	(4) 30014	Lower Shaft	X	X
BB158	(2) 90315	Lower Main Bearing (Roller) Front	X	X
BB159	(2A) 90313	Lower Main Bearing (Ball) Rear	X	X
BB161	(79B) 90302	Roller Table Bearing	X	X
BB166	90437	Lower Shaft Seal	X	X
BB168	36181	Wheel Nut	X	X
BB169	90649	Woodruff Key	X	X
BB170	59249-7	Key	X	X
BB197	90417	Seal, Upper Shaft	X	X
BB198	90226	Retaining Ring - Lower Shaft Assembly	X	X

NEW
NEW

BUTCHER BOY

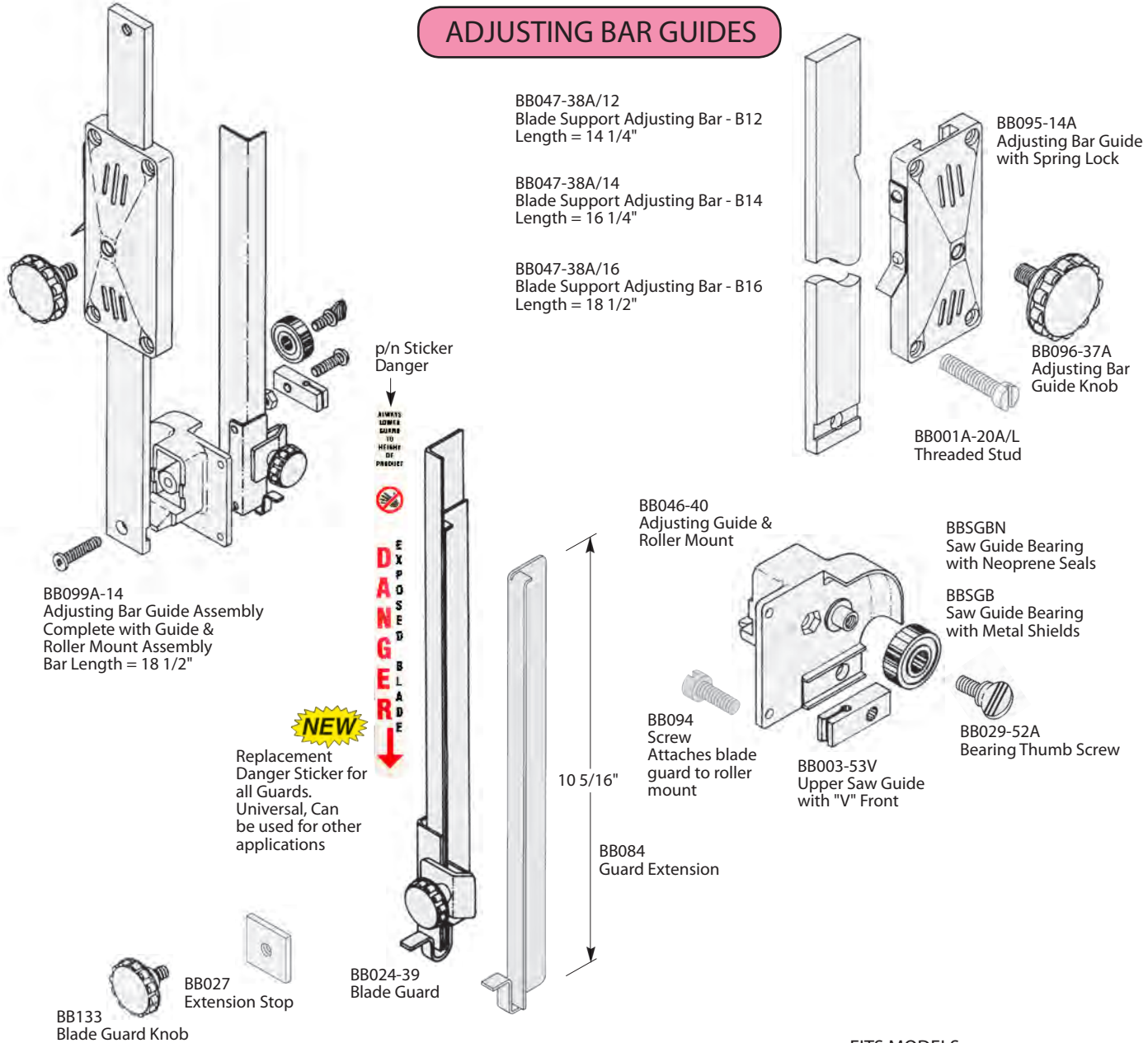
FITS 12 - 14 - 16 and Cobra

BUTCHER BOY



NBS P/N	OEM P/N	DESCRIPTION	FITS MODELS					COBRA	
			B12	B14	B16	1435	1640	14	16
BB007-68	(68) 10313	End Catch (Gauge Arm Support)	X	X	X	X	X	X	X
BB011-62B	(62B) 90700	Gauge Bushing	X	X	X	X	X	X	X
BB022	(47) 10203	Short Cut Plate	X	X	X	X	X	X	X
BB030-69A	69A	Rod Liner Pin	X	X	X				
BB031-69B	12335	Rod Mount & Locking Pin	X	X	X				
BB032-69/12	(69)	Gauge Rod - B12	X						
BB032-69/14	(69)	Gauge Rod - B14		X					
BB032-69/16	(69)	Gauge Rod - B16			X				
BB033-61C	(61C) 10180	Thickness Gauge Ratchet Lock	X	X	X	X	X	X	X
BB054-60	(60B) 10297	Gauge Roller	X	X	X	X	X	X	X
BB056-624	(62A) 10284	Gauge Spindle & Arm Assy	X	X	X	X	X	X	X
BB057-61A	(61A) 10314	Measuring Arm Spring	X	X	X	X	X	X	X
BB058-61B	(61B) 10211	Measuring Arm Pin	X	X	X	X	X	X	X
BB061-63B	(63B) 10328	Measuring Arm Lock Stud	X	X	X	X	X	X	X
BB069	N/A	Gauge Plate Nuts & Lock Washers (4/pkg)	X	X	X	X	X	X	X
BB098-63	(63) 10315	Gauge Lock Knob	X	X	X	X	X	X	X
BB115A-16	16535	Gauge Rod - New Style			X		X		
BB116A-14	14335	Gauge Rod - New Style		X		X			
BB117A-12	12335	Gauge Rod - New Style	X						
BB128A/16	(16) 10316	Thickness Gauge Assy	X	X	X	X	X	X	X
BB129	(60) 14072	Gauge Plate	X	X	X	X	X	X	X
BB130	(61) 10291	Gauge Housing	X	X	X	X	X	X	X
BB131	(64A) 10287	Gauge Hand Wheel	X	X	X	X	X	X	X

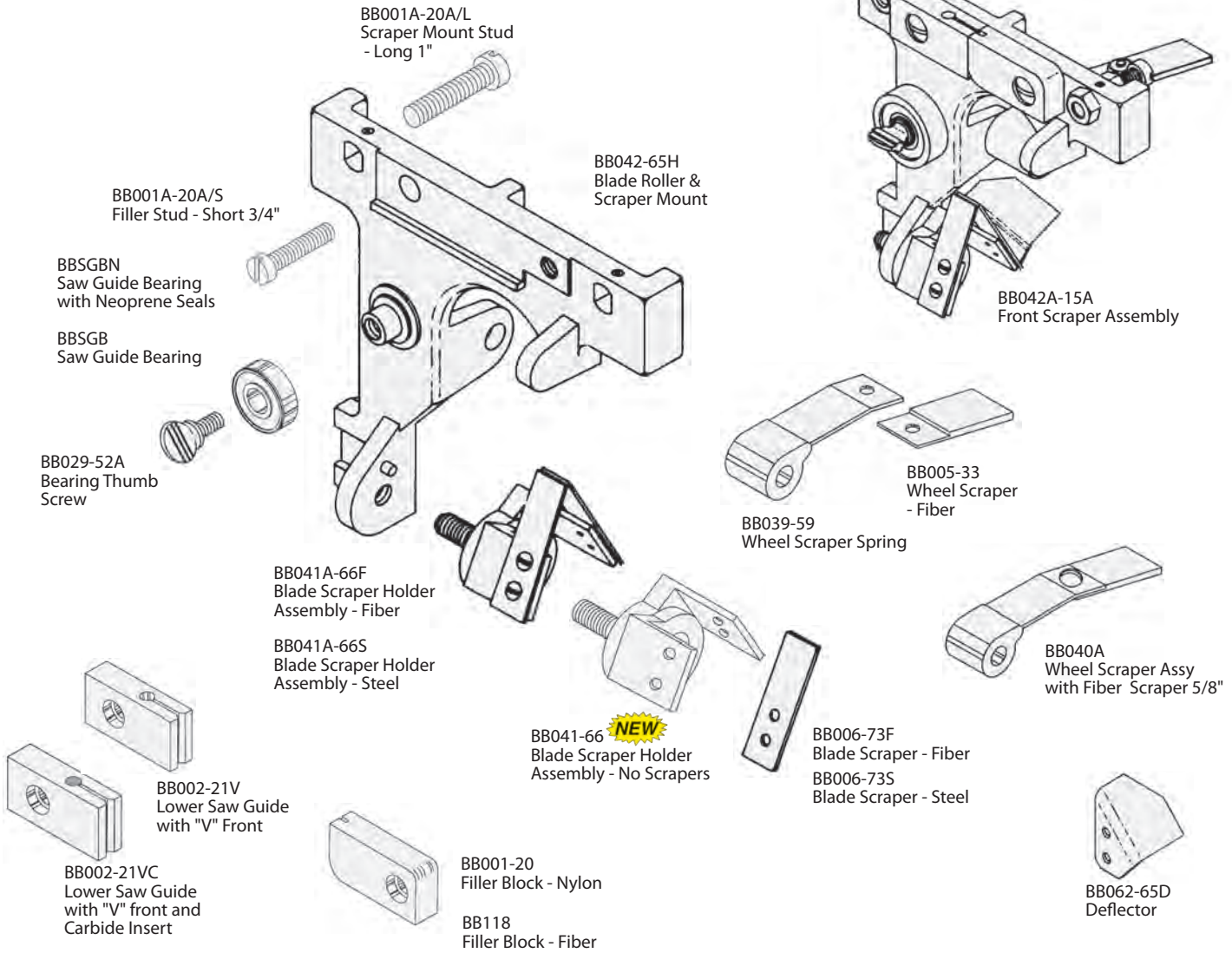
ADJUSTING BAR GUIDES



FITS MODELS

NBS P/N	OEM P/N	DESCRIPTION	B12	B14	B16	1435	1640	COBRA		
								14	16	SA20
BB001A-20AL	(20A)FH55-14-16-N	Threaded Stud	X	X	X			X	X	X
BB003-53V	(53) 10074	Upper Saw Guide with "V" Front	X	X	X					
BB024-39	(39) 10717	Blade Guard	X	X	X					
BB027	(90B) 10714	Extension Stop	X	X	X	X	X	X	X	X
BB029-52A	(52A)	Bearing Thumb Screw	X	X	X					
BB046-40	(40) 10270	Adjusting Guide & Roller Mount	X	X	X					X
BB047-38A/12	(38A)	Blade Support Adjusting Bar - B12	X							
BB047-38A/14	(38A)	Blade Support Adjusting Bar - B14		X						
BB047-38A/16	(38A)	Blade Support Adjusting Bar - B16			X					
BB084	10712	Guard Extension	X	X	X					
BB094	(39A)	Screw	X	X	X					
BB095-14A	(14A) 10266	Adjusting Bar Guide with Spring Lock	X	X	X					X
BB096-37A	(37A) 90600	Adjusting Bar Guide Knob	X	X	X					X
BB099A-14	(90)	Adjusting Bar Guide Assembly	X	X	X					X
BB133	(90C) 95084	Blade Guard Knob	X	X	X	X	X	X	X	X
BBSGB	(52)	Saw Guide Bearing with Metal Shields	X	X	X					
BBSGBN	(52)	Saw Guide Bearing with Neoprene Seals	X	X	X					

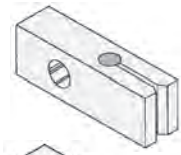
BUTCHER BOY FRONT BLADE AND WHEEL SCRAPER



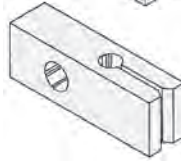
FITS MODELS

NBS P/N	OEM P/N	DESCRIPTION	FITS MODELS							
			B12	B14	B16	1435	1640	COBRA		
							14	16	SA20	
BB001-20	(20) 10000	Filler Block - Nylon	X	X	X	X	X	X	X	
BB001A-20A/L	(15B) FHSS-19-16-N	Scraper Mount Stud - Long	X	X	X	X	X	X	X	
BB001A-20A/S	(20A) FHSS-19-12-N	Filler Stud - Short	X	X	X	X	X	X	X	
BB002-21V	(21) 10002	Lower Saw Guide with "V" Front	X	X	X	X	X	X	X	X
BB002-21VC	20785	Lower Saw Guide with Carbide Insert	X	X	X	X	X	X	X	X
BB005-33	(33) 10040	Wheel Scraper - Fiber	X	X	X	X	X	X	X	X
BB006-73F	(73F) 10300	Blade Scraper - Fiber	X	X	X	X	X	X	X	X
BB006-73S	(73S) 10310	Blade Scraper - Steel	X	X	X	X	X	X	X	X
BB029-52A	(52A) 10369	Bearing Thumb Screw	X	X	X	X	X	X	X	
BB039-59	(59) 10277	Wheel Scraper Spring	X	X	X	X	X	X	X	X
BB040A	10377	Wheel Scraper Assembly, with Fiber Scraper 5/8"	X	X	X	X	X	X	X	X
BB041-66	10464	Blade Scraper Holder Only, No Scrapers	X	X	X	X	X	X	X	X
BB041A-66F	(66F) 10464F	Blade Scraper Holder Assembly - Fiber	X	X	X	X	X	X	X	X
BB041A-66S	(66S) 10464S	Blade Scraper Holder Assembly - Steel	X	X	X	X	X	X	X	X
BB042-65H	(65H) 10305	Blade Roller & Scraper Mount - New Style	X	X	X	X	X	X	X	X
BB042A-15A	(15A) 10304	Front Scraper Assembly - New Style	X	X	X	X	X	X	X	
BB062-65D	(65D) 10197	Deflector	X	X	X	X	X	X	X	
BB118	(20) 10000	Filler Block - Fiber	X	X	X	X	X	X	X	
BBSGB	(27) 90301	Saw Guide Bearing with Metal Shields	X	X	X	X	X	X	X	
BBSGBN	(27) 90301	Saw Guide Bearing with Neoprene Seals	X	X	X	X	X	X	X	

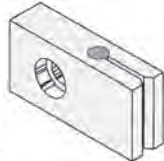
SAW GUIDES AND FILLER BLOCKS and SCRAPERS



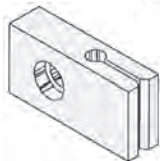
BB003-53VC
Upper Saw Guide
w/ Carbide Insert



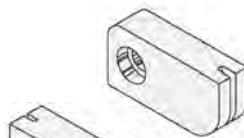
BB003-53V
Upper Saw Guide
with "V" Front



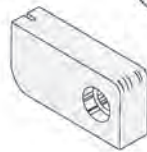
BB002-21VC
Lower Saw Guide
w/ Carbide Insert



BB002-21V
Lower Saw Guide
with "V" Front



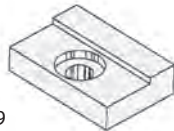
BB119LH
Filler Block - Fiber
(Left Hand Saws Only)



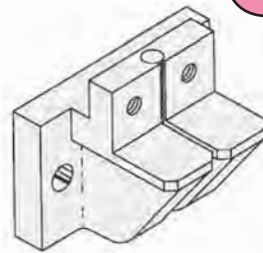
BB118
Filler Block - Fiber

BB001-20
Filler Block - Nylon

**FITS
SA20**



BB001SA-2069
Filler Block - Nylon
fits..SA20



BB093
Lower Guide with Pin

**FITS
SA30 - SA36**

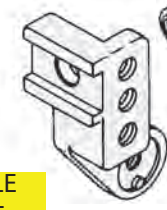



BB079
Guide Block



BB067
Wheel Scraper
- Fiber
Upper & Lower Wheel

BB001A-20A/S
Filler Stud

BB044-67A
Rear Blade &
Wheel Scraper Mount

BB013-65C
Scraper Assembly Knob

**AVAILABLE WHILE
SUPPLIES LAST**

BB041A-66F
Blade Scraper Holder
Assembly - Fiber

BB041A-66S
Blade Scraper Holder
Assembly - Steel

BB041-66 **NEW**
Blade Scraper Holder
Assembly - No Scrapers

BB043
Blade Scraper
Spring

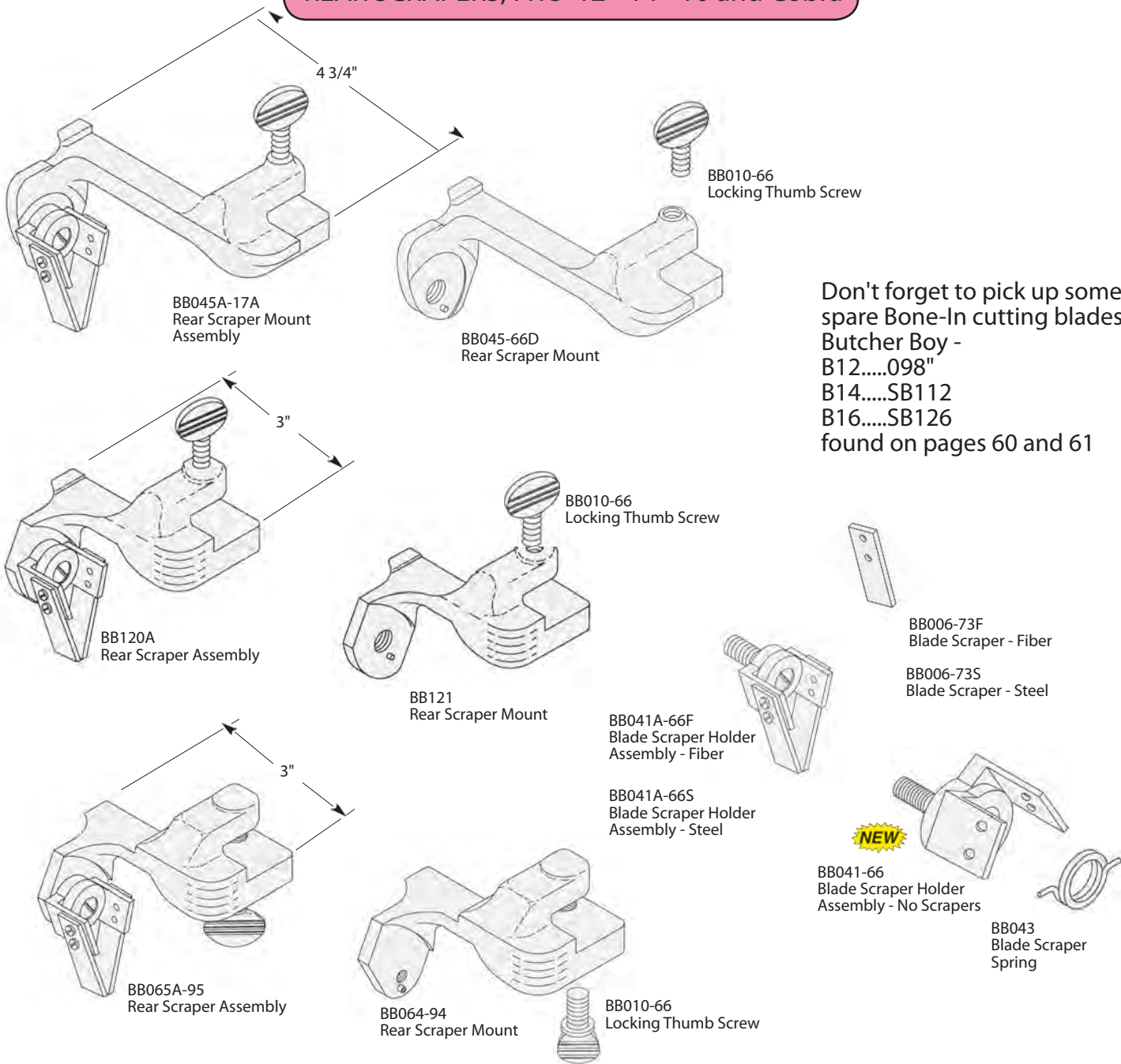
FITS MODELS

COBRA

NBS P/N	OEM P/N	DESCRIPTION	B12	B14	B16	1435	1640	COBRA		SA20	SA30	SA36
								14	16			
BB001-20	(20) 10000	Filler Block - Nylon	X	X	X	X	X	X	X			
BB001A-20A/S	(15B) FH5S-19-16-N	Filler Stud									X	
BB001SA-2069	20143	Filler Block - Nylon								X		
BB002-21V	(21) 10002	Lower Saw Guide with "V" Front	X	X	X	X	X	X	X	X		
BB002-21VC	20785	Lower Saw Guide w/ Carbide Insert	X	X	X	X	X	X	X	X		
BB003-53V	(53) 10074	Upper Saw Guide with "V" Front	X	X	X	X	X	X	X			
BB003-53VC	N/A	Upper Saw Guide w/ Carbide Insert	X	X	X	X	X	X	X			
BB013-65C	(65C) 10418	Scraper Assembly Knob	X	X	X							
BB041-66	10460	Blade Scraper Holder Assembly only	X	X	X	X	X	X	X	X		
BB041A-66F	(66F)10460	Blade Scraper Holder Assy - Fiber	X	X	X	X	X	X	X	X		
BB041A-66S	(66S)10460	Blade Scraper Holder Assy - Steel	X	X	X	X	X	X	X	X		
BB043	(66) 10199	Blade Scraper Spring	X	X	X	X	X	X	X			
BB044-67A		Rear Blade & Wheel Scraper Mount										
BB067	30092	Wheel Scraper - Fiber									X	X
BB079	30090	Guide Block									X	X
BB093	30134	Lower Guide with Pin									X	X
BB118	(20) 10000	Filler Block - Fiber	X	X	X	X	X	X	X			
BB119LH	N/A	Filler Block - Fiber (Left Hand Saws only)	X	X	X	X	X	X	X			

BUTCHER BOY

REAR SCRAPERS, FITS 12 - 14 - 16 and Cobra



Don't forget to pick up some spare Bone-In cutting blades. Butcher Boy - B12.....098" B14.....SB112 B16.....SB126 found on pages 60 and 61

FITS MODELS

NBS P/N	OEM P/N	DESCRIPTION	FITS MODELS						COBRA	
			B12	B14	B16	1435	1640	14	16	
BB006-73F	(73F) 10300	Blade Scraper-Fiber	X	X	X	X	X	X	X	
BB006-73S	(73S) 10310	Blade Scraper-Steel	X	X	X	X	X	X	X	
BB010-66	(66) 10303	Locking Thumb Screw	X	X	X	X	X	X	X	
BB041-66	10460	Blade Scraper Holder Assembly only, No Scraper	X	X	X	X	X	X	X	
BB041A-66F	(66) 10460	Blade Scraper Holder Assy - Fiber	X	X	X	X	X	X	X	
BB041A-66S	(66S) 10464S	Blade Scraper Holder Assembly - Steel	X	X	X	X	X	X	X	
BB043	(66) 10199	Blade Scraper Spring	X	X	X	X	X	X	X	
BB045-66D	(65) 10246	Rear Scraper Mount - New Style	X	X	X					
BB045A-17A	(17A) 10298	Rear Scraper Assy - New Style	X	X	X					
BB064-94	160094	Rear Scraper Mount						X	X	
BB065A-95	160095	Rear Scraper Assy						X	X	
BB120A	160618	Rear Scraper Assy				X	X			
BB121	160617	Rear Scraper Mount				X	X			

NEW

**SA20
RIGHT HAND**

RIGHT HAND SAWS

RIGHT HAND SAWS

RIGHT HAND SAWS

**fits..SA20
LEFT HAND**

BB191A-LH
Front Scraper Assy
- fits...Left Hand Saws

BB190A-LH
Rear Scraper Assy
fits... Left Hand Saws

BB023A Front Scraper Assy

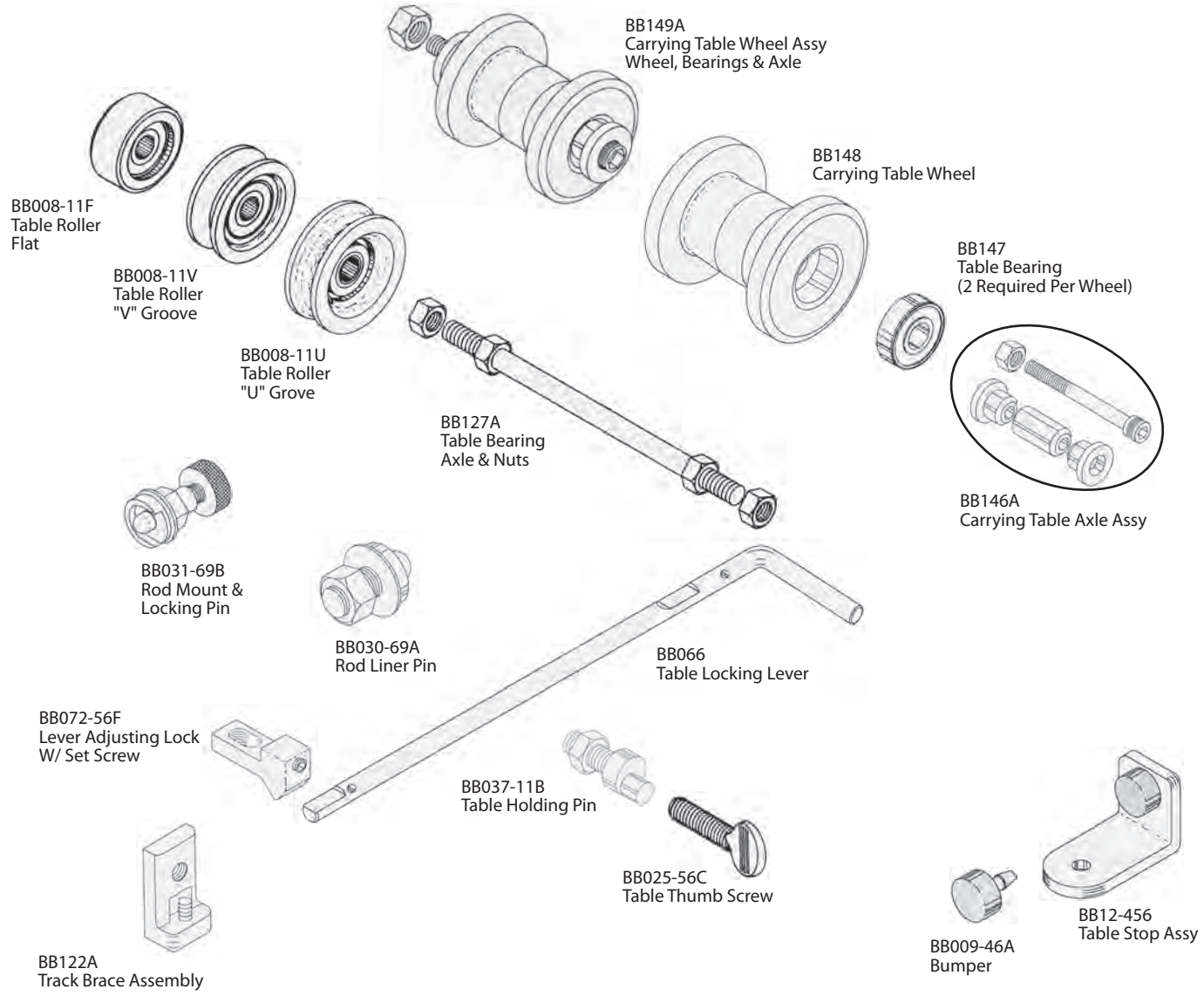
BB023 Front Scraper Body Right Hand or Left Hand

BB041A-66F Blade Scraper Holder Assy - Fiber

NEW
BB041-66 Blade Scraper Holder No Scrapers

			FITS MODEL
NBS P/N	OEM P/N	DESCRIPTION	SA20
BB005-33	(33) 10040	Wheel Scraper - Fiber	X
BB006-73F	(73F) 10300	Blade Scraper - Fiber	X
BB006-73S	(73S) 10310	Blade Scraper - Steel	X
BB023	20678	Front Scraper Body	X
BB023A	(88A) 20679	Front Scraper -Assy	X
BB026-35	(35)	Wheel Scraper Special 3/4" Wide	X
BB028	(89) 20679	Rear Scraper - Body	X
BB028A	20225	Rear Scraper - Assy	X
BB034	(97B) 20055	Scraper Holder Stud Assy	X
BB039-59	(59) 10277	Wheel Scraper Spring	X
BB040A	10377	Wheel Scraper Assy	X
BB041-66	10469	Blade Scraper Holder Assembly only	X
BB041A-66F	(66) 10460	Blade Scraper Holder Assy - Fiber	X
BB043	(66) 10199	Blade Scraper Spring	X
BB055	N/A	Front Scraper Body (Old Style)	X
BB055A	N/A	Front Scraper Assy (Old Style)	X
BB190A-LH	20726	Rear Scraper Assy (Left Hand))	X
BB191A-LH	20725	Front Scraper Assy (Left Hand)	X
BBSGBN	(27) 90301	Saw Guide Bearing with Neoprene Seals	X

TABLE WHEEL, AXLE AND ROLLERS



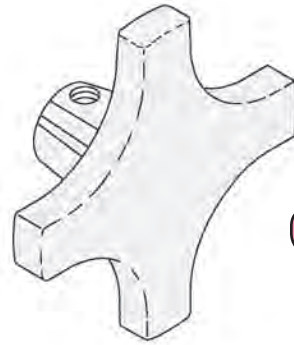
FITS MODELS

NBS P/N	OEM P/N	DESCRIPTION	B12	B14	B16	1435	1640	COBRA				
								14	16	SA16	SA20	
BB008-11F	(11A) 10065	Table Roller - Flat	X	X	X	X	X					X
BB008-11V	(11V)	Table Roller "V" Groove	X	X	X	X	X					X
BB008-11U	(11U) 10068	Table Roller "U" Groove	X	X	X	X	X			X		X
BB009-46A	(46A) 90612	Bumper	X	X	X	X	X					X
BB012-456	(45) 10037	Table Stop Assembly	X	X	X	X	X					X
BB025-56C	56C	Table Thumb Screw	X	X	X	X	X					
BB030-69A	69A	Rod Liner Pin	X	X	X							
BB031-69B	12335	Rod Mount & Locking Pin	X	X	X							
BB037-11B	(11B) 10098	Table Holding Pin	X	X	X	X	X	X	X			
BB066	(56G) 16060	Table Locking Lever			X		X	X				
BB072-56F	(56F) 10293	Lever Adjusting Lock	X	X	X	X	X					
BB122A	(12C) 10260	Track Brace Assembly	X	X	X							
BB127A	(11C) 10329	Table Bearing Axle & Nuts	X	X	X	X	X					
BB146A	160238B	Carrying Table Axle - Assy						X	X			
BB147	90343	Table Bearing						X	X			
BB148	160236	Carrying Table Wheel						X	X			
BB149A	160238	Carrying Table Wheel - Assy						X	X			

BB015-3B
Door Handle Washer

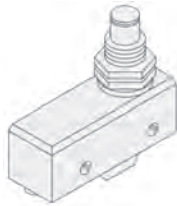


BB097-3D
Door Pull Guide Knob

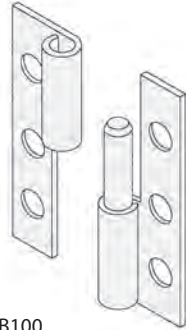


BB035
Door Knob

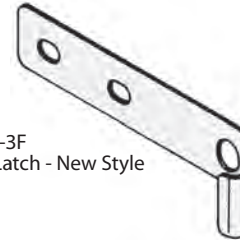
FITS COBRA 14 & 16 DOORS



BB167
Door Safety Switch



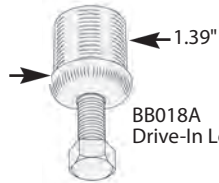
BB100
Door Hinge Set, Stainless



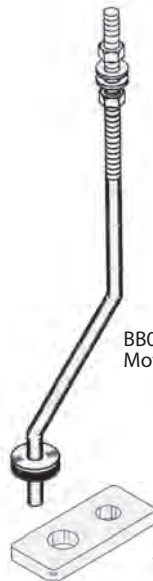
BB004-3F
Door Latch - New Style



BB017A
Adjustable Leg

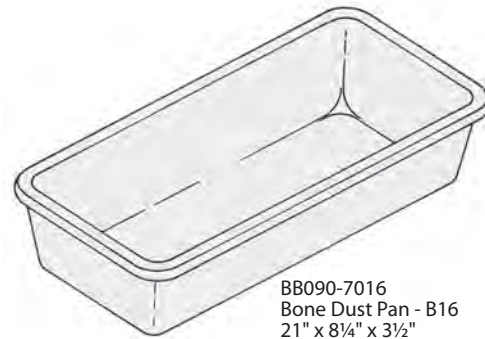


BB018A
Drive-In Leveling Leg



BB021A
Motor Torque Rod

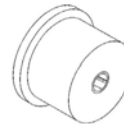
BB038
Torque Bracket



BB090-7016
Bone Dust Pan - B16
21" x 8¼" x 3½"

BB091-7014
Bone Dust Pan - B14
19" x 8½" x 3½"

BB092-7012
Bone Dust Pan - B12
17" x 8" x 3½"



BB202
Motor Mount
Rubber Bushing

NEW

NBS P/N	OEM P/N	DESCRIPTION	FITS MODELS					COBRA		SA20
			B12	B14	B16	1435	1640	14	16	
BB004-3F	(3F) 10272	Door Latch - New Style	X	X	X	X	X			
BB015-3B	(3B) N/A	Door Handle Washer	X	X	X					
BB017A	(58E) 10307	Adjustable Leg	X	X	X	X	X			
BB018A	(58F) 59390	Drive-In Leveling Leg	X	X	X	X	X			
BB021A	(36A) 10384	Motor Torque Rod	X	X	X	X	X	X	X	X
BB035	160132	Door Knob						X	X	
BB038	10430	Torque Bracket	X	X	X	X	X	X	X	
BB090-7016	16069	Bone Dust Pan - B16 21" x 8¼" x 3½"			X		X		X	
BB091-7014	14069	Bone Dust Pan - B14 19" x 8½" x 3½"		X		X		X		
BB092-7012	12069	Bone Dust Pan - B12 17" x 8" x 3½"	X							
BB097-3D	(3D) 10151	Door Pull Guide Knob	X	X	X					
BB100	(49) 10606	Door Hinge Set, Stainless	X	X	X					
BB167	93855	Door Safety Switch						X	X	
BB202	10118	Motor Mount Rubber Bushing	X	X	X	X	X			

The Butcher Boy saw repair kits have been updated to be universal. The included guides, include the carbide insert and will work on all listed models.

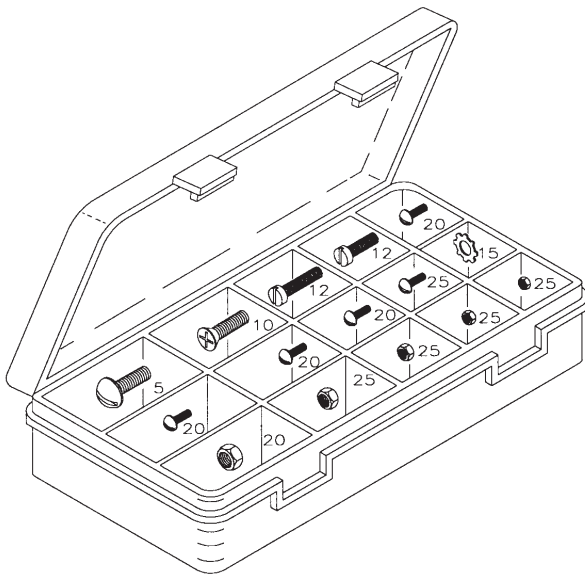
BBRK-1
Butcher Boy Repair Kit
Models B12, B14, B16
Cobra 14, 16
1435 & 1640



BBRK-3
Butcher Boy Repair Kit
Model SA20



BBRK-5
Hardware Kit
Butcher Boy Saws



Kit consists of 279 STAINLESS STEEL nuts, bolts, screws and washers in a break resistant plastic container.

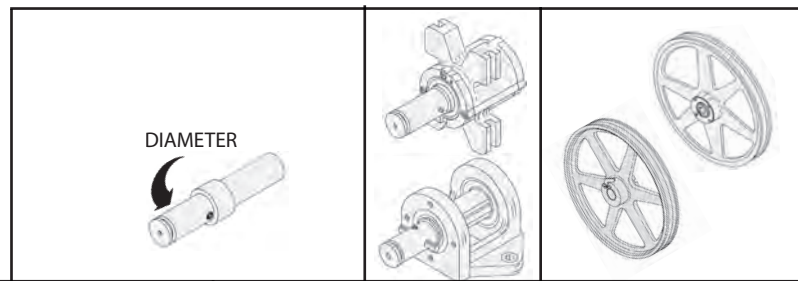
QTY	DESCRIPTION
15	5/16 TOOTH WASHER
25	6-32 HEX NUT
25	8-32 HEX NUT
25	10-32 HEX NUT
25	1/4-20 HEX NUT
20	5/16-18 HEX NUT
25	6-32 x 1/4 ROUND HEAD, SLOTTED MACHINE SCREW
20	6-32 x 3/8 ROUND HEAD, SLOTTED MACHINE SCREW
20	8-32 x 1/4 ROUND HEAD, SLOTTED MACHINE SCREW
20	8-32 x 3/8 ROUND HEAD, SLOTTED MACHINE SCREW
12	1/4-20 x 3/4 FILLISTER, SLOTTED SCREW
12	1/4-20 x 1 1/8 FILLISTER, SLOTTED SCREW
10	1/4-20 x 1 FLAT HEAD, PHILLIPS MACHINE SCREW
5	5/16-18 x 1 1/2 ROUND HEAD, SLOTTED MACHINE SCREW

FITS MODELS

NBS P/N	OEM P/N	DESCRIPTION	COBRA							
			B12	B14	B16	1435	1640	14	16	SA20
BBRK-5	N/A	Hardware Kit	X	X	X	X	X	X	X	X

WHEELS / SHAFTS / HUB ASSEMBLIES

UPPER



Matching Saw Blade Length

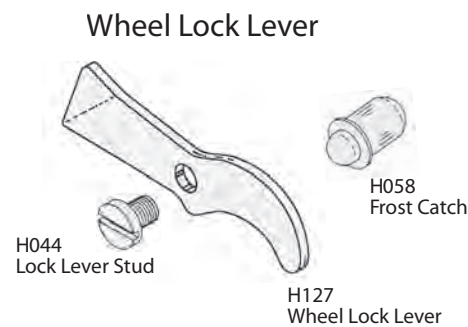
SAW	UPPER SHAFT	SHAFT DIAMETER	UPPER ASSEMBLY	UPPER WHEEL	WHEEL DIAMETER	BLADE LENGTH
5012	H071-14US	1.062				98"
5013	H072-13US	1.062		H039-13F	13"	106"
5014	H071-14US	1.062		H040-14F	14"	112"
5016	H070-16US	1.375	H162A	H041-16F	16"	128"
5114	H071-14US	1.062		H040-14F	14"	112"
5213	H072-13US	1.062		H039-13F	13"	106"
5214	H071-14US	1.062		H040-14F	14"	112"
5216	H076-5216US	1.375	H166A	H041-16F	16"	128"
5216 EARLY	H070-16US	1.375	H162A	H041-16F	16"	128"
5216 MOD	H076-5216US	1.375		H041-16F	16"	128"
5313	H072-13US	1.062		H039-13F	13"	106"
5413	H072-13US	1.062		H039-13F	13"	112"
5514	H073-5514US	1.375	H154A	H040-5514F	14"	112"
5614	H073-5514US	1.375	H154A	H040-5514F	14"	112"
5700	H115	1.375	H179A	H126	16"	142"
5701	H115	1.375	H179A	H126	16"	142"
5801	H115	1.375	H179A	H126	16"	142"
6614	H249	1.155		H255	14"	126"
6801	H249	1.155		H250 *	16"	142"



H265A
Upper Wheel -Complete - for 6801
Wheel, Bushing, Bearings, Seals
Pulley Covers. Just slide on shaft.

H266A
Upper Wheel -Complete - for 6614
Wheel, Bushing, Bearings, Seals
Pulley Covers. Just slide on shaft.

These wheels and components are also located on page 102



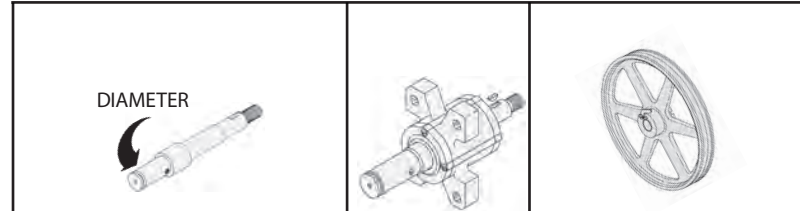
* Wheel Only- does not include bushing/ bearings and seals (See Page 102)

FITS MODELS

NBS P/N	OEM P/N	DESCRIPTION	5212	5214	5216	5514	5614	5700	5701	5801	6614	6801
H042S	N/A	Shaft Lock Pin (Special)										
H044	M20851	Lock Lever Stud	X	X	X	X	X	X	X	X	X	X
H058	M79686	Frost Catch	X	X	X	X	X	X	X	X	X	X
H127	292213	Wheel Lock Lever	X	X	X	X	X	X	X	X	X	X

HOBART

WHEELS / SHAFTS / HUB ASSEMBLIES LOWER



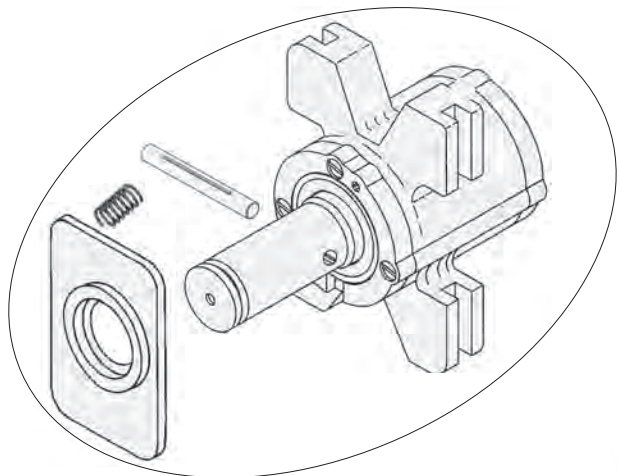
SAW MODEL	LOWER SHAFT	SHAFT DIAMETER	LOWER ASSEMBLY	LOWER WHEEL		WHEEL DIAMETER	
5012	H075-5214LS						
5013	H072-13LS	1.062		H039-13F	13"		
5014	H075-5214LS	1.062		H040-14F		14"	
5016	H077-5016LS	1.375	H165A	H041-16F			16"
5114	H075-5214LS	1.062		H040-14F		14"	
5213	H072-13LS	1.062		H039-13F	13"		
5214	H075-5214LS	1.062		H040-14F		14"	
5216	H074-5216LS	1.375	H160A	H041-16F			16"
5216 EARLY	H074-5216LS	1.375		H041-16F			16"
5216 MOD	H079-5216LS	1.375	H150A	H041-16F			16"
5313	H072-13LS	1.062		H039-13F	13"		
5413	H072-13LS	1.062		H039-13F	13"		
5514		1.375		H040-5514F		14"	
5614	H078-5614LS	1.375	H148A	H040-5514F		14"	
5700	H140	1.375		H126			16"
5701	H140	1.375		H126			16"
5801	H140	1.375		H126			16"
6614	H140	1.375		H256		14"	
6801	H140	1.375		H126			16"

HOBART

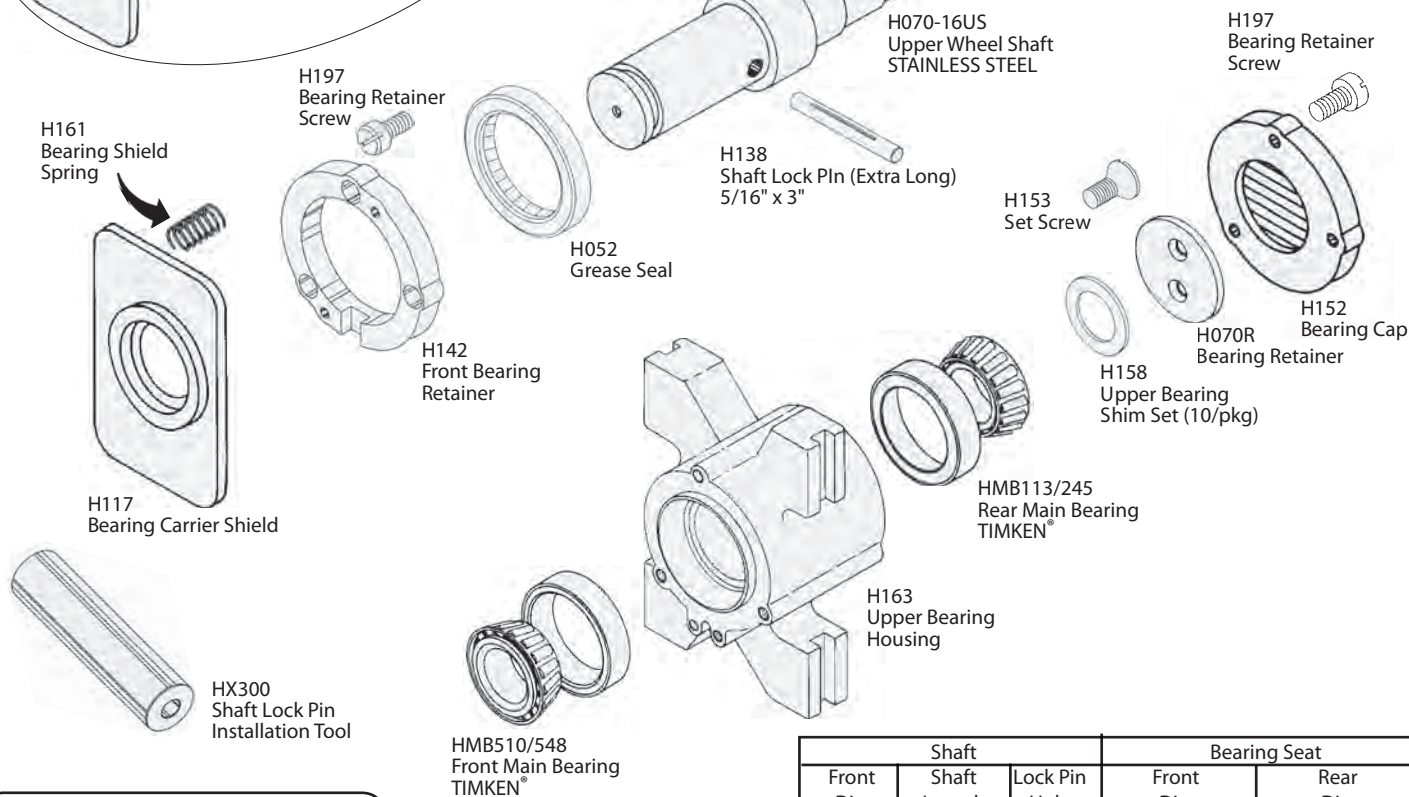
Saw Blades: See Pages:
60 and 61
SB for Bone-In
BK for Boneless

- Hobart - 5012, 5212 98"
- Hobart - 5013, 5213, 5313 106"
- Hobart - 5014, 5114, 5214,
5413, 5414, 5514, 5614 112"
- Hobart - 5016, 5116, 5216,
5216HS 128"
- Hobart - 5700, 5701, 5801,
6801 142"
- 6614 126"

Upper Bearing Housing Assy & Components
Models 5016, 5116 & Early 5216



H162A
Upper Bearing Housing Assembly-
Complete & Ready to Install, Includes
Bearing Carrier Shield, Bearing Shield
Spring & Shaft Lock Pin



Use this tool when installing shaft lock pin to prevent peening of pin. Can be used on all 5/16 and 3/8 diameter pins.

Shaft			Bearing Seat	
Front Dia.	Shaft Length	Lock Pin Hole	Front Dia.	Rear Dia.
1 3/8"	6 3/4" H070-16US	5/16"	1 3/8" HMB510/548	1 1/8" HMB113/245

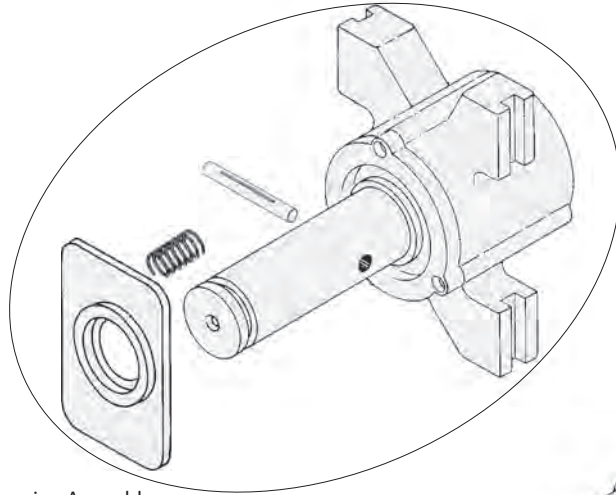
FITS MODELS

NBS P/N	OEM P/N	DESCRIPTION	5016	5116	EARLY 5216
H052	71403	Grease Seal	X	X	X
H070-16US	71298	Upper Wheel Shaft	X	X	X
H070R	67241	Bearing Retainer	X	X	X
H117	75752	Bearing Carrier Shield	X		X
H138	122922	Shaft Lock Pin (Extra Long) 5/16" x 3"	X		X
H142	75870	Front Bearing Retainer	X	X	X
H152	67210	Bearing Cap	X		X
H153	SC-99-4	Set Screw (Each)	X	X	X
H158	103036	Upper Bearing Shim Set (10/pkg)	X	X	X
H161	75837	Bearing Shield Spring	X	X	X
H162A	N/A	Upper Bearing Housing Assembly - Complete & Ready to Install, Includes Shield & Pin	X		X
H163	103022	Upper Bearing Housing	X		X
H197	SC-12-69	Bearing Retainer Screw (Each)	X		X
HMB113/245	BR-2-16	Rear Upper & Lower Main Bearing	X	X	X
HMB510/548	BR-2-20	Front Upper & Lower Main Bearing	X	X	X
HX300	N/A	Shaft Lock Pin Installation Tool	X		X

HOBART

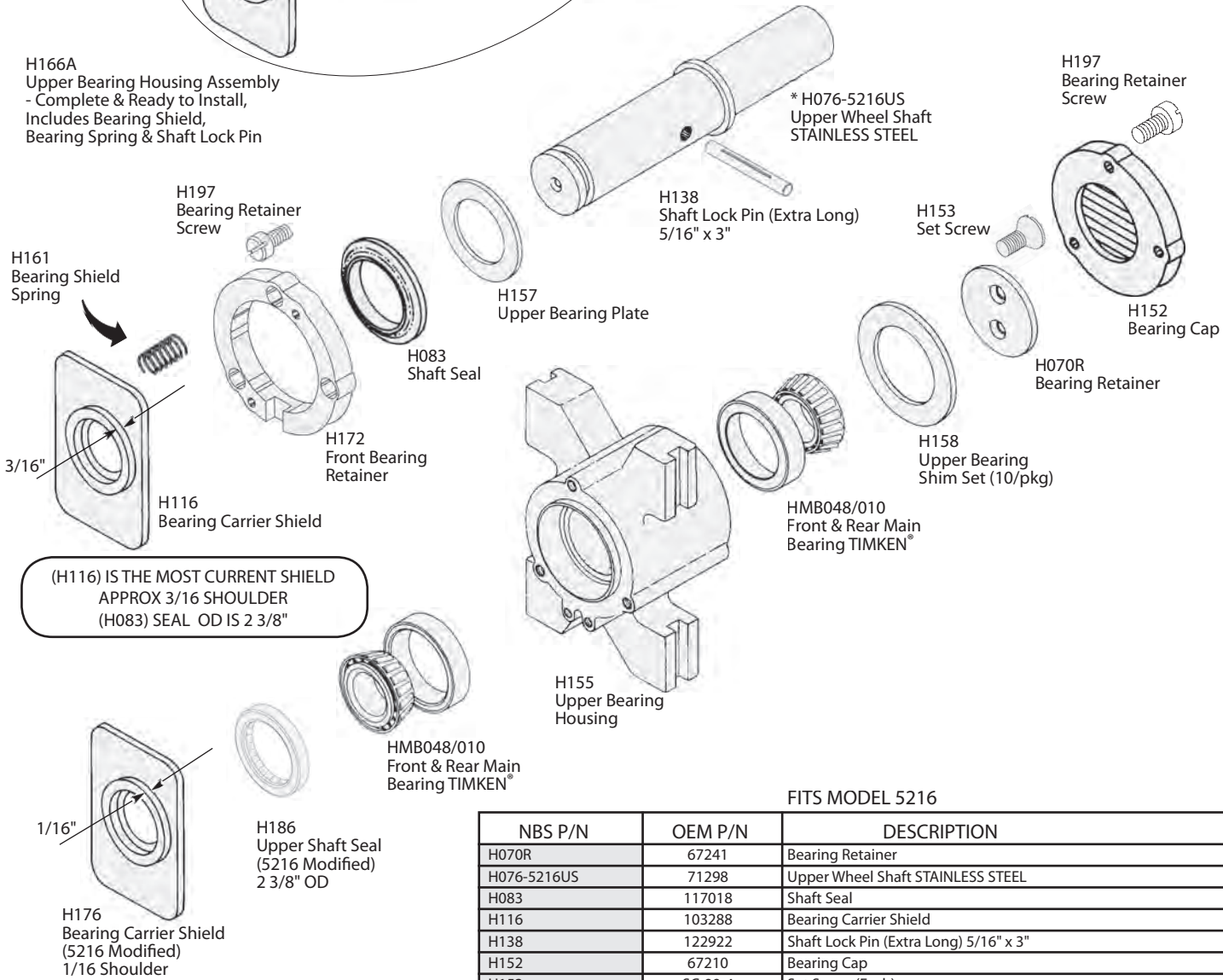
**Upper Bearing Housing Assy & Components
Model 5216**

Shaft			Bearing Seat	
* Front Dia.	Shaft Length	Lock Pin Hole	Front Dia.	Rear Dia.
1 3/8"	6 11/16" H076-5216US	5/16"	1 1/4" HMB048/010	1 1/4" HMB048/010



H166A
Upper Bearing Housing Assembly
- Complete & Ready to Install,
Includes Bearing Shield,
Bearing Spring & Shaft Lock Pin

HOBART



(H116) IS THE MOST CURRENT SHIELD
APPROX 3/16 SHOULDER
(H083) SEAL OD IS 2 3/8"

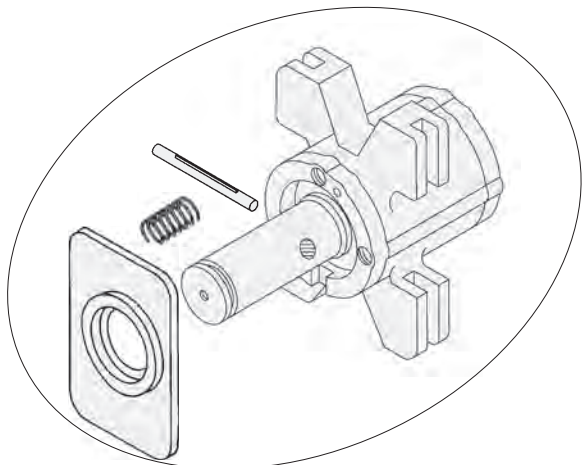
H176 Bearing Carrier Shield
(5216 Modified)
1/16 Shoulder

H186 Upper Shaft Seal
(5216 Modified)
2 3/8" OD

FITS MODEL 5216

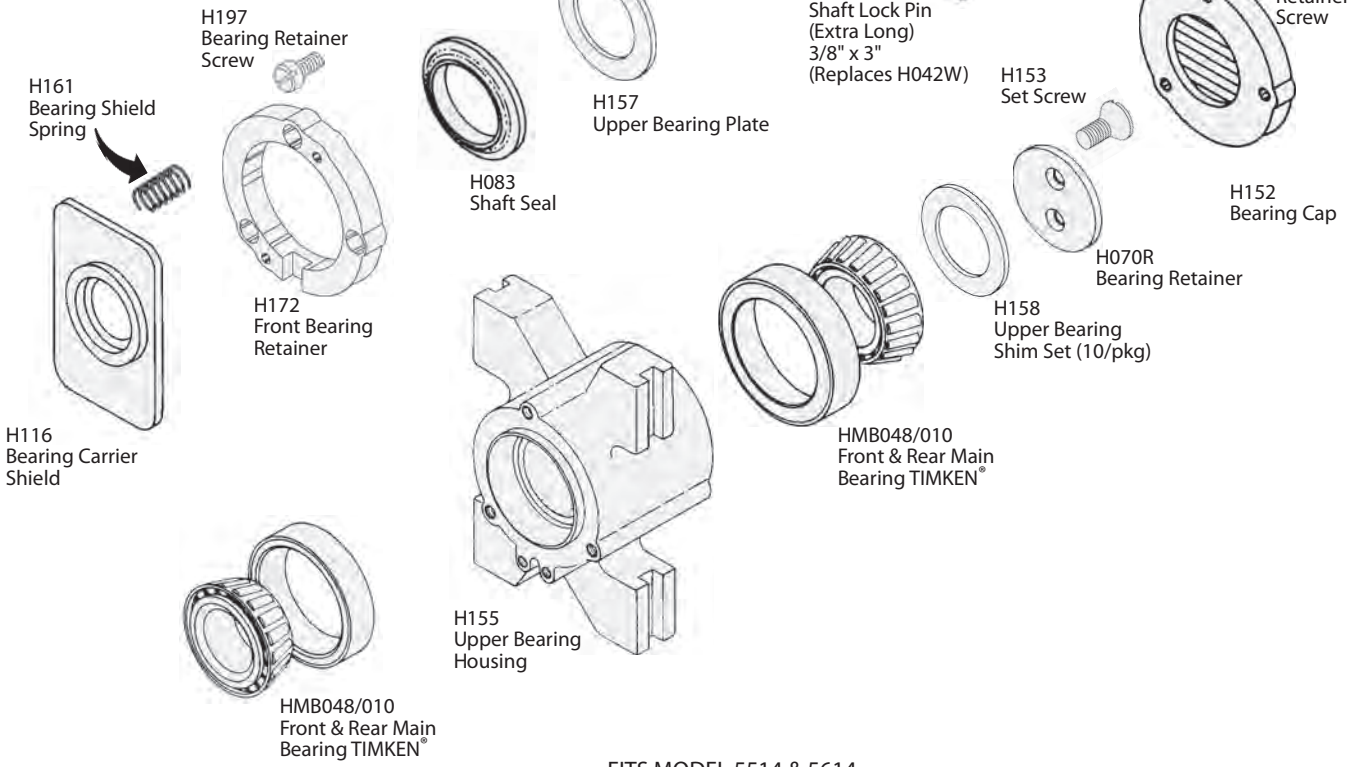
NBS P/N	OEM P/N	DESCRIPTION
H070R	67241	Bearing Retainer
H076-5216US	71298	Upper Wheel Shaft STAINLESS STEEL
H083	117018	Shaft Seal
H116	103288	Bearing Carrier Shield
H138	122922	Shaft Lock Pin (Extra Long) 5/16" x 3"
H152	67210	Bearing Cap
H153	SC-99-4	Set Screw (Each)
H155	71295	Upper Bearing Housing
H157	103290	Upper Bearing Plate
H158	103036	Upper Bearing Shim Set (10/PKG)
H161	75837	Bearing Shield Spring
H166A	N/A	Upper Bearing Housing Assembly
H172	103029	Front Bearing Retainer
H176	293510	Bearing Carrier Shield (5216 Modified)
H186	293502	Upper Shaft Seal (5216 Modified)
H197	SC-12-69	Bearing Retainer Screw (Each)
HMB048/010	BR-2-27	Upper Main Bearing - Front & Rear

**Upper Bearing Housing Assy & Components
Model 5514 & 5614**



Shaft			Bearing Seat	
Front Dia.	Shaft Length	Lock Pin Hole	Front Dia.	Rear Dia.
1 3/8"	6 1/4"	3/8"	1 1/4"	1 1/4"
	H073-5514US		HMB048/010	HMB048/010

H154A
Upper Bearing Housing Assembly Complete & Ready to Install - Includes Bearing Carrier Shield, Bearing Shield Spring & Shaft Lock Pin



FITS MODEL 5514 & 5614

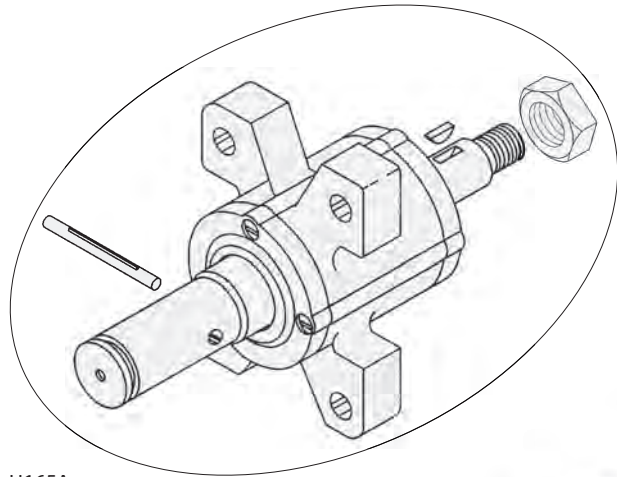
NBS P/N	OEM P/N	DESCRIPTION	5212	5514	5614
H070R	67241	Bearing Retainer	X	X	X
H073-5514US	108226	Upper Wheel Shaft STAINLESS STEEL		X	X
H083	103178	Shaft Seal		X	X
H116	103288	Bearing Carrier Shield	X	X	X
H139	110551	Shaft Lock Pin (Extra Long) 3/8" x 3"	X	X	X
H152	67210	Bearing Cap	X	X	X
H153	SC-99-4	Set Screw (Each)	X	X	X
H154A	108227	Upper Bearing Housing Assembly Complete		X	X
H155	103022	Upper Bearing Housing	X	X	X
H157	103290	Upper Bearing Plate	X	X	X
H158	103036	Upper Bearing Shim Set (10/pkg)	X	X	X
H161	75837	Bearing Shield Spring	X	X	X
H172	103029	Front Bearing Retainer	X	X	X
H197	SC-12-69	Bearing Retainer Screw (Each)	X	X	X
HMB048/010	BR-2-27	Upper Main Bearing - Front & Rear	X	X	X

HOBART

HOBART

Lower Bearing Housing Assy & Components
Model 5016

Shaft			Bearing Seat	
Front Dia.	Shaft Length	Lock Pin Hole	Front Dia.	Rear Dia.
1 3/8"	10 1/2" H077-516LS	5/16"	1 3/8"	1 1/8"
			H MB510/548	H MB113/245



H165A
Lower Bearing Housing Assembly
(Includes Shaft Lock Pin, Nut,
& Grease Conveyor
Complete & Ready to Install)

H144
Woodruff Key

H077-5016LS
Lower Wheel Shaft
STAINLESS STEEL

H197
Bearing Retainer
Screw

H145
Shaft Nut

H138
Shaft Lock Pin (Extra Long)
5/16" x 3"

H146-1
Grease Conveyor
1 3/8" OD x 7/8" Long

H197
Bearing Retainer
Screw

H171
Front Bearing
Retainer

H052
Grease Seal

H143
Rear Lower
Bearing Retainer - 1 3/8" I.D.

H159
Upper Bearing
Shim Set (10/pkg)

HMB113/245
Rear Main Bearing
TIMKEN®

H156
Lower Bearing
Housing

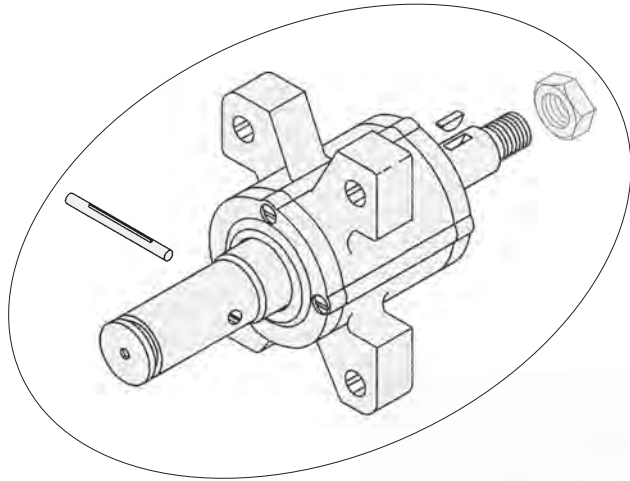
HMB510/548
Front Main Bearing
TIMKEN®

FITS MODEL 5016

NBS P/N	OEM P/N	DESCRIPTION
H052	71403	Grease Seal
H077-5016LS	71299	Lower Wheel Shaft STAINLESS STEEL
H138	122922	Shaft Lock Pin (Extra Long) 5/16" x 3"
H143	67203	Rear Lower Bearing Retainer - 1 3/8" I.D.
H144	KW-3-15	Woodruff Key
H145	NS-17-49	Shaft Nut (2 Required)
H146-1	67243	Grease Conveyor 1 3/8" OD x 7/8" Long
H156	114562	Lower Bearing Housing
H159	123192-X	Upper Bearing Shim Set (10/pkg)
H165A	N/A	Lower Bearing Housing Assembly
H171	77319	Front Bearing Retainer
H197	SC-12-69	Bearing Retainer Screw (Each)
HMB113/245	BR-2-16	Upper & Lower Main Bearing
HMB510/548	BR-2-20	Front Upper & Lower Main Bearing

**Lower Bearing Housing Assy & Components
Model 5216**

Shaft			Bearing Seat	
Front Dia.	Shaft Length	Lock Pin Hole	Front Dia.	Rear Dia.
1 3/8"	10"	5/16"	1 3/8"	1 1/8"
			HMB510/548	HMB113/245



H160A
Lower Bearing Housing Assembly
(Includes Shaft Lock Pin, Nut,
Key & Grease Conveyer
Complete & Ready to Install)

H144
Woodruff Key

H074-5216LS
Lower Wheel Shaft
STAINLESS STEEL

H138
Shaft Lock Pin (Extra Long)
5/16" x 3"

H197
Bearing Retainer
Screw

H145
Shaft Nut

H146-2
Grease Conveyer
1 3/8" OD x 1/2" Long

H052
Grease Seal

H197
Bearing Retainer
Screw

H171
Front Bearing
Retainer

H143
Rear Lower
Bearing Retainer - 1 3/8" I.D.

H159
Lower Bearing
Shim Set (10/pkg)

HMB113/245
Rear Main Bearing
TIMKEN®

H156
Lower Bearing
Housing

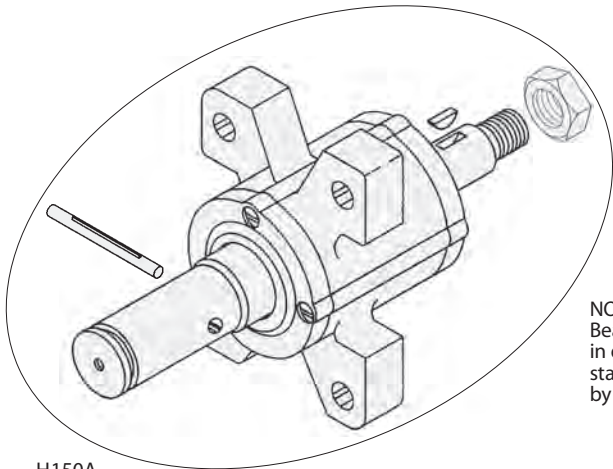
HMB510/548
Front Main Bearing
TIMKEN®

FITS MODEL 5216

NBS P/N	OEM P/N	DESCRIPTION
H052	71403	Grease Seal
H074-5216LS	79128	Lower Wheel Shaft - Model 5216 STAINLESS STEEL
H138	122922	Shaft Lock Pin (Extra Long) 5/16" x 3"
H143	67203	Rear Lower Bearing Retainer - 1 3/8" I.D.
H144	KW-3-15	Woodruff Key
H145	NS-17-49	Shaft Nut (2 Required)
H146-2	B-114560	Grease Conveyer 1 3/8" OD x 1/2" Long
H156	114562	Lower Bearing Housing
H159	123192-X	Lower Bearing Shim Set (10/pkg)
H160A	N/A	Lower Bearing Housing Assembly
H171	77319	Front Bearing Retainer
H197	SC-12-69	Bearing Retainer Screw (Each)
HMB113/245	BR-2-16	Rear Lower Main Bearing
HMB510/548	BR-2-20	Front Upper & Lower Main Bearing

HOBART

**Lower Bearing Housing Assy & Components
Modified Model 5216**

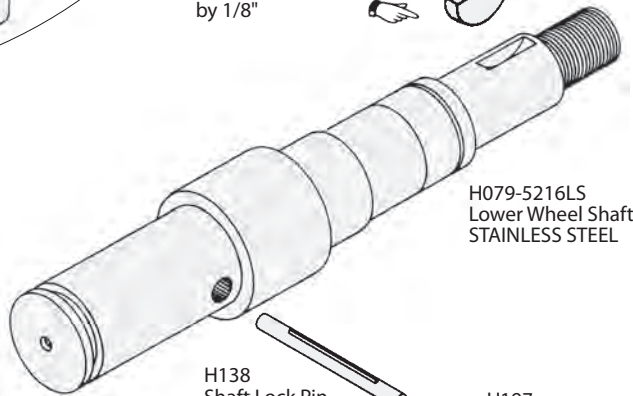


H150A
Lower Bearing Housing Assembly
(Includes Shaft Lock Pin, Nut,
Key & Grease Conveyer
Complete & Ready to Install)

Shaft			Bearing Seat	
Front Dia.	Shaft Length	Lock Pin Hole	Front Dia.	Rear Dia.
1 3/8"	10 1/8"	5/16"	1 3/8"	1 1/4"
			HMB510/548	HMB048/010

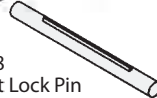
NOTE: This Rear Bearing Seat is larger in diameter than the standard Model 5216 by 1/8"

H144
Woodruff Key



H079-5216LS
Lower Wheel Shaft
STAINLESS STEEL

H138
Shaft Lock Pin
(Extra Long)
5/16" x 3"



H197
Bearing Retainer
Screw



H145
Shaft Nut



H052
Grease Seal

H197
Bearing Retainer
Screw

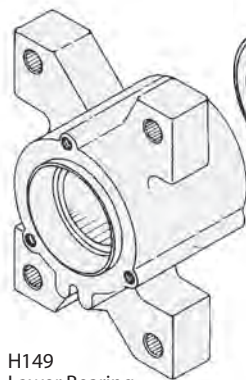
H171
Front Bearing
Retainer



H146-4
Grease Conveyer
1 11/16" OD x 1/2" Long



H170
Rear Lower
Bearing Retainer - 1 11/16" I.D.



H149
Lower Bearing
Housing

H159
Lower Bearing Shim Set
(10/pkg)



HMB048/010
Rear Main Bearing
TIMKEN®



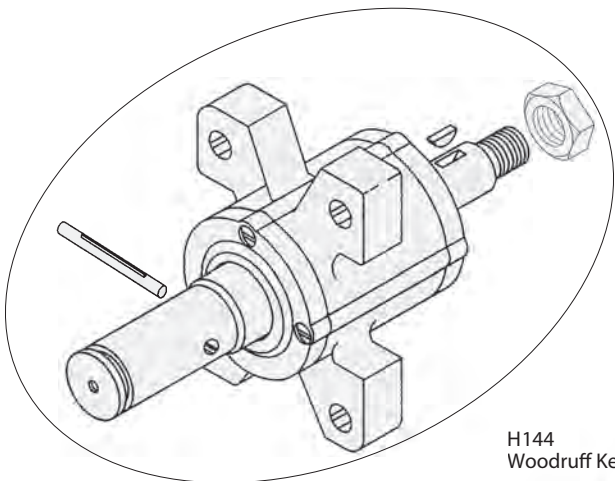
HMB510/548
Front Main Bearing
TIMKEN®

FITS MODEL 5216

NBS P/N	OEM P/N	DESCRIPTION
H052	71403	Grease Seal
H079-5216LS	117016	Lower Wheel Shaft STAINLESS STEEL
H138	122922	Shaft Lock Pin (Extra Long) 5/16" x 3"
H144	KW-3-15	Woodruff Key
H145	NS-17-49	Shaft Nut (2 Required)
H146-4	114560	Grease Conveyer 1 11/16" OD x 1/2" Long
H149	114562	Lower Bearing Housing
H150A	79127	Lower Bearing Housing Assembly
H159	123192-X	Lower Bearing Shim Set (10/pkg)
H170	114561	Rear Lower Bearing Retainer - 1 11/16" I.D.
H171	77319	Front Bearing Retainer
H197	SC-12-69	Bearing Retainer Screw (Each)
HMB048/010	BR-2-27	Upper & Lower Main Bearing
HMB510/548	BR-2-20	Front Upper Main Bearing

HOBART

**Lower Bearing Housing Assy & Components
Model 5614**



Shaft			Bearing Seat	
Front Dia.	Shaft Length	Lock Pin Hole	Front Dia.	Rear Dia.
1 3/8"	10"	3/8"	1 3/8"	1 1/4"
			HMB510/548	HMB048/010

H148A
Lower Bearing Housing Assembly
(Includes Shaft Lock Pin, Nut,
Key & Grease Conveyer
Complete & Ready to Install)

H144
Woodruff Key

H078-5614LS
Lower Wheel Shaft
STAINLESS STEEL

H197
Bearing Retainer
Screw

H139
Shaft Lock Pin
(Extra Long)
3/8" x 3"
(Replaces H042W)

H197
Bearing Retainer
Screw

H145
Shaft Nut

H052
Grease Seal

H146-3
Grease Conveyer
1 11/16" OD x 7/8"
Long

H171
Front Bearing
Retainer

H170
Rear Lower
Bearing Retainer - 1 11/16" I.D.

H159
Lower Bearing Shim Set
(10/pkg)

HMB048/010
Rear Main Bearing
TIMKEN®

H149
Lower Bearing
Housing

HMB510/548
Front Main Bearing
TIMKEN®

FITS MODEL 5614

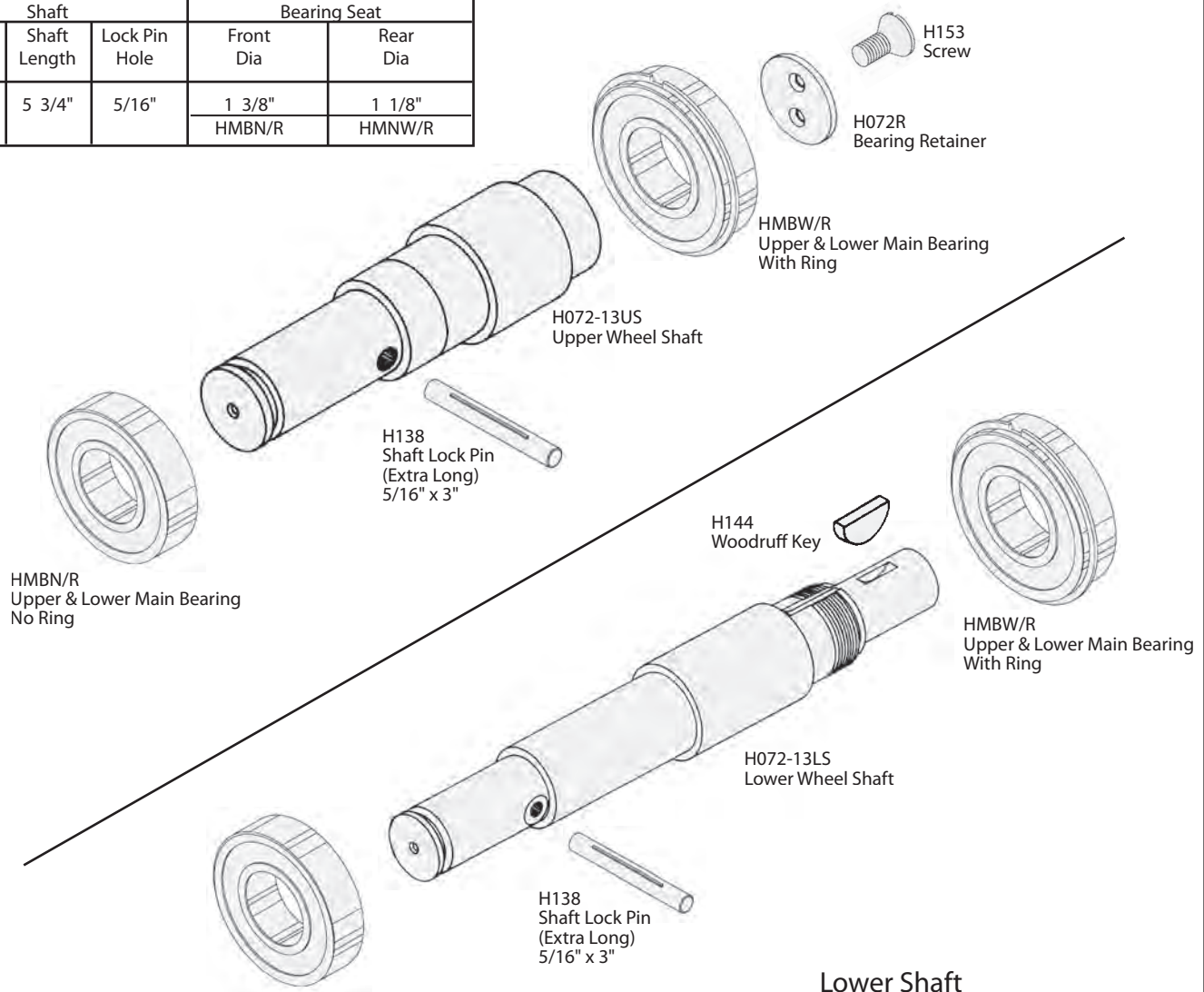
NBS P/N	OEM P/N	DESCRIPTION
H052	71403	Grease Seal
H078-5614LS	119851	Lower Wheel Shaft STAINLESS STEEL
H139	110551	Shaft Lock Pin (Extra Long) 3/8" x 3"
H144	KW-3-15	Woodruff Key
H145	NS-17-49	Shaft Nut (2 Required)
H146-3	114560	Grease Conveyer 1 11/16" x 7/8" Long
H148A	117022-2	Lower Bearing Housing Assembly
H149	114562	Lower Bearing Housing
H159	123192-X	Lower Bearing Shim Set (10/pkg)
H170	114561	Rear Lower Bearing Retainer - 1 11/16" I.D.
H171	77319	Front Bearing Retainer
H197	SC-12-69	Bearing Retainer Screw (Each)
HMB048/010	BR-2-27	Rear Lower Main Bearing
HMB510/548	BR-2-20	Front Upper Main Bearing

HOBART

**Upper & Lower Shaft
Models 5013, 5213, 5313, 5413**

Upper Shaft

Shaft			Bearing Seat	
Front Dia.	Shaft Length	Lock Pin Hole	Front Dia.	Rear Dia.
1 1/16"	5 3/4"	5/16"	1 3/8" HMBN/R	1 1/8" HMNW/R



**Fits Models:
5214 and 5313**

HSGB
Saw Guide Bearing
W/Metal Shields

HSGBN
Saw Guide Bearing
W/Neoprene Seals



Lower Shaft

Shaft			Bearing Seat	
Front Dia.	Shaft Length	Lock Pin Hole	Front Dia.	Rear Dia.
1 1/16"	11"	5/16" HMBN/R	1 3/8" HMNW/R	1 1/8"

FITS MODELS

NBS P/N	OEM P/N	DESCRIPTION	5013	5213	5313	5413
H072-13LS	20839	Lower Wheel Shaft	X	X	X	X
H072-13US	20856	Upper Wheel Shaft	X	X	X	X
H072R	67241	Bearing Retainer	X	X	X	X
H138	122922	Shaft Lock Pin (Extra Long) 5/16" x 3"	X	X	X	X
H144	KW-3-15	Woodruff Key	X	X	X	X
H153	SC-12-69	Screw (Each)	X	X	X	X
HMBN/R	BB-6-41	Upper & Lower Main Bearing, No Ring	X	X	X	X
HMBW/R	BB-6-43	Upper & Lower Main Bearing, With Ring	X	X	X	X

**Upper & Lower Shaft Components
Models 5012, 5014, 5114, 5214**

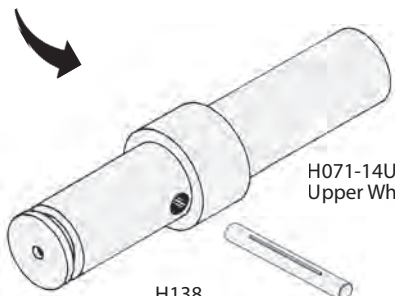
Upper Shaft

Shaft			Bearing Seat	
Front Dia.	Shaft Length	Lock Pin Hole	Front Dia.	Rear Dia.
1 1/16"	6 3/16"	5/16"	1 1/8" HMB113/245	1 1/8" HMB113/245

H161
Bearing Shield
Spring



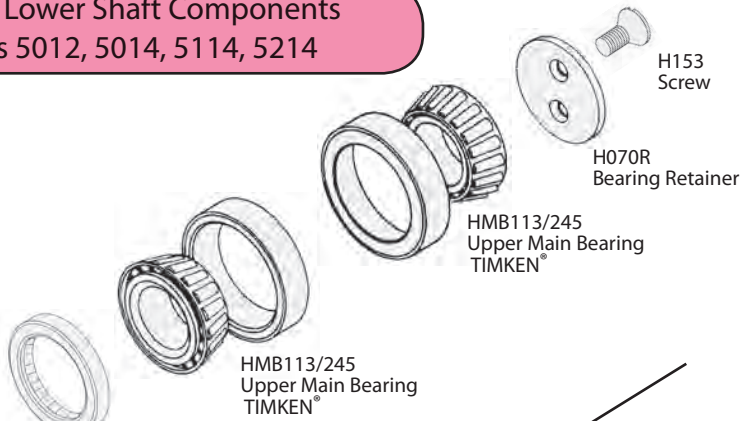
H118
Bearing Carrier Shield



H071-14US
Upper Wheel Shaft

H138
Shaft Lock Pin (Extra Long)
5/16" x 3"

**Upper Shaft
and Bearings**



H153
Screw

H070R
Bearing Retainer

HMB113/245
Upper Main Bearing
TIMKEN®



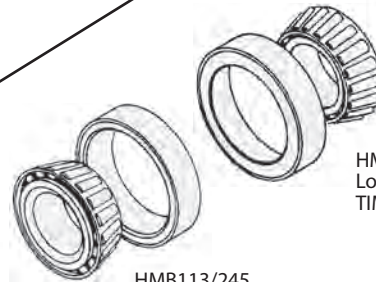
HMB113/245
Upper Main Bearing
TIMKEN®

H053
Grease Seal, Upper &
Lower Main Bearing



H145
Shaft Nut

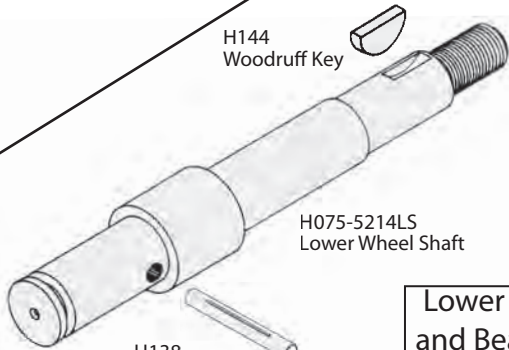
H146-1
Grease Conveyor
1 3/8" OD x 7/8" Long



HMB113/245
Lower Main Bearing
TIMKEN®



H053
Grease Seal, Upper &
Lower Main Bearing



H075-5214LS
Lower Wheel Shaft

H138
Shaft Lock Pin (Extra Long)
5/16" x 3"

**Lower Shaft
and Bearings**

Lower Shaft

Shaft			Bearing Seat	
Front Dia.	Shaft Length	Lock Pin Hole	Front Dia.	Rear Dia.
1 1/16"	10"	5/16"	1 1/8" HMB113/245	1 1/8" HMB113/245

FITS MODELS

NBS P/N	OEM P/N	DESCRIPTION	5012	5014	5114	5214
H053	79099	Grease Seal, Upper & Lower Main Bearing	X	X	X	X
H070R	67241	Bearing Retainer	X	X	X	X
H071-14US	67244	Upper Wheel Shaft	X	X	X	X
H075-5214LS	67242	Lower Wheel Shaft	X	X	X	X
H118	79088	Bearing Carrier Shield	X	X	X	X
H138	122922	Shaft Lock Pin (Extra Long) 5/16" x 3"	X	X	X	X
H144	KW-3-15	Woodruff Key	X	X	X	X
H145	NS-17-49	Shaft Nut	X	X	X	X
H146-1		Grease Conveyor	X	X	X	X
H153	SC-12-69	Screw (Each)	X	X	X	X
H161	75837	Bearing Shield Spring	X	X	X	X
HMB113/245	BR-2-16	Upper & Lower Main Bearing	X	X	X	X

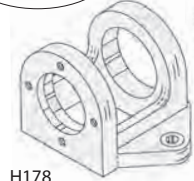
HOBART

**Upper & Lower Shaft Components
Models 5700, 5701, 5801**

H193
Upper Bearing Housing
Mounting Hardware Kit
Stainless Steel
(Mounts H178 Housing
to saw frame)



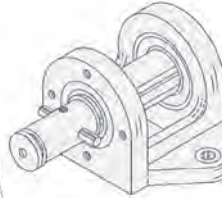
H178
Upper Bearing
Housing



H177A
Upper Shaft &
Bearing Assembly



H179A
Upper Bearing Assembly
Complete with Seals &
Shaft Lock Pin



H119
Shaft Hardware Set



H114
Upper Main
Bearing



H167
Upper Shaft Spacer



Upper

H232
Set Screw
5/16-18



H114
Upper
Main Bearing



H175
Shaft Lock Pin
3/8" x 3"



H168
Upper & Lower
Shaft Seal



Upper Shaft				
Shaft Length	Pin Hole	Bearing Seat (F) Dia	Bearing Seat (R) Dia	
7 3/16"	3/8"	1 3/8" H114	1 3/8" H114	

H115
Upper Wheel Shaft
w/ 5/16-18 Set Screws
STAINLESS STEEL



Lower

H119
Shaft Hardware Set



H188
Loading Spring



H114
Lower Main
Bearing



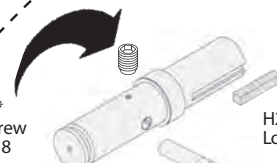
H114
Lower Main
Bearing



H168
Upper & Lower
Shaft Seal



H232 *
Set Screw
5/16-18



H261
Lower Shaft Key



H140
Lower Wheel Shaft
STAINLESS STEEL
w/ H232
5/16-18 Set Screws



H175
Shaft Lock Pin
3/8" x 3"



Lower Shaft				
Shaft Length	Pin Hole	Front Dia.	Bearing Seat (F) Dia	Bearing Seat (R) Dia
7 1/16"	3/8"	1 3/8"	1 3/8" H114	1 3/8" H114

H232 *
Set Screw
5/16-18
(2 Required) To make it easier for repair - NBS Shafts
come with 5/16-18 set screws
(Note: The original Shaft Set Screws are 1/4-20)



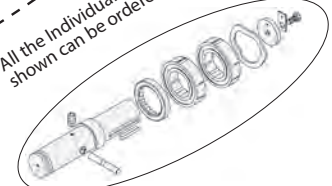
H260
Set Screw
1/4-20 - for
OEM shafts



These listed saws use the SB142,
142" Band Saw Blade:
Hobart - 5700, 5701, 5801
See Pages 60 and 61

All the Individual Lower Shaft Components
shown can be ordered as a Kit

H312
Lower Shaft Components
-Kit-
All Parts Shown Above

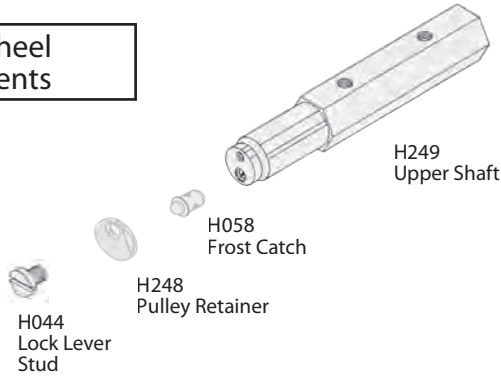


FITS MODELS

NBS P/N	OEM P/N	DESCRIPTION	5700	5701	5801	6614	6801
H114	BB-8-14	Upper & Lower Main Bearing	X	X	X		
H115	292274	Upper Wheel Shaft STAINLESS STEEL	X	X	X		
H119	N/A	Shaft Hardware Set	X	X	X	X	X
H140	292278	Lower Wheel Shaft STAINLESS STEEL	X	X	X	X	X
H167	290806	Upper Shaft Spacer	X	X	X		
H168	B-290805	Upper & Lower Shaft Seal	X	X	X	X	X
H175	436447 / 292273	Shaft Lock Pin 3/8" x 3"	X	X	X	X	X
H177A	292299	Upper Shaft & Bearing Assembly	X	X	X		
H178	291440	Upper Bearing Housing	X	X	X		
H179A	292275	Upper Bearing Assembly	X	X	X		
H188	SL-3-11	Loading Spring	X	X	X	X	X
H193	N/A	Upper Bearing Housing Mounting Kit	X	X	X		
H232	N/A	Set Screw 5/16-18	X	X	X		
H260	SC-117-59	Set Screw 1/4-20	X	X	X		
H261	109070-9	Lower Shaft Key	X	X	X	X	X
H312		Lower Shaft Components - KIT	X	X	X	X	X

**Upper Wheel & Shaft Components
Models 6614 & 6801**

Upper Wheel Components

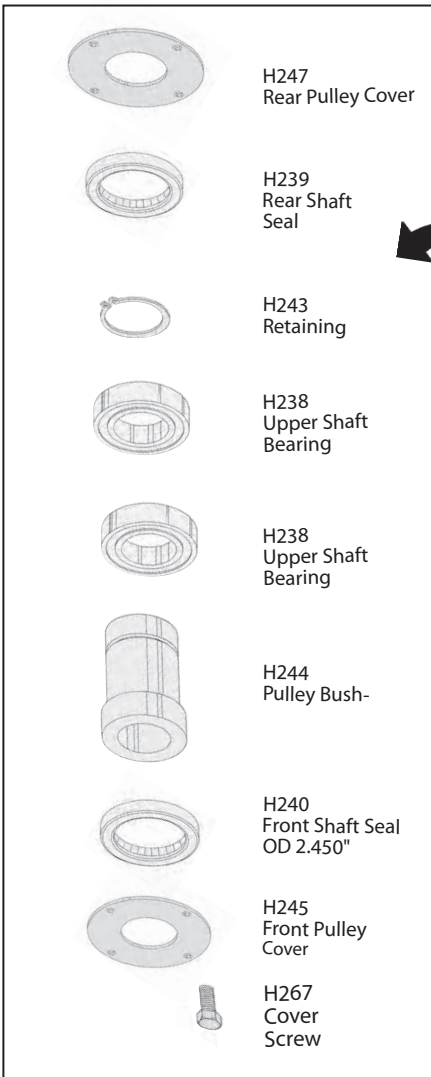


H265A
Upper Wheel -Complete - for **6801**
Wheel, Bushing, Bearings, Seals
Pulley Covers. Just slide on shaft.

H266A
Upper Wheel -Complete - for **6614**
Wheel, Bushing, Bearings, Seals
Pulley Covers. Just slide on shaft.



H306
Retaining Ring
(fits NBS wheels only)



All these components are included in the H265A and H266A Complete Wheels

All the Individual Upper Shaft Components shown can be ordered as a Kit

NEW
H316
Upper Shaft Components -Kit-
All Parts Shown Above
2-H238, H239, H240, H243 and H244

Don't forget your spare Band Saw Blades:
See Pages: 60 and 61
SB142 or SB126 and Boneless Cutting
BK142 and BK126

Hobart 6801 SB142"
6614 SB126"

NBS P/N	OEM P/N	DESCRIPTION
H044	M20851	Lock Lever Stud
H058	M79686	Frost Catch
H238	BB-015-36	Upper Shaft Bearing
H239	873501	Rear Shaft Seal
H240	837502	Front Shaft Seal
H243	RR-004-13	Retaining Ring
H244	479143	Pulley Bushing
H245	873461-1	Front Pulley Cover
H247	873461-2	Rear Pulley Cover
H248	479142	Pulley Retainer
H249	479144	Upper Shaft
H265A	104999	Wheel Assy, fits 6801 16" Wheel
H266A	134048	Wheel Assy, fits 6614 14" Wheel
H267	SC-067-06	Cover Screw (Each)
H306	N/A	Retaining Ring
H316	N/A	Upper Wheel Components- KIT

HOBART

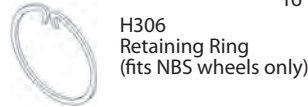
**Upper Wheel and Lower Shaft Components
Models 6614 & 6801**

**Lower Wheel
Shaft & Components**

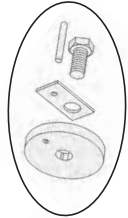


H255
Upper Wheel - for 6614
14" wheel

H250
Upper Wheel - for 6801
16" wheel



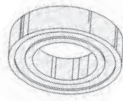
H306
Retaining Ring
(fits NBS wheels only)



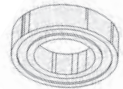
H119
Shaft Hardware
Set



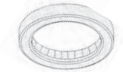
H188
Loading Spring



H114
Lower Main
Bearing



H114
Lower Main
Bearing



H168
Upper & Lower
Shaft Seal



H261
Lower Shaft Key

H232 *
Set Screw
5/16-18



H175
Shaft Lock Pin
3/8" x 3"



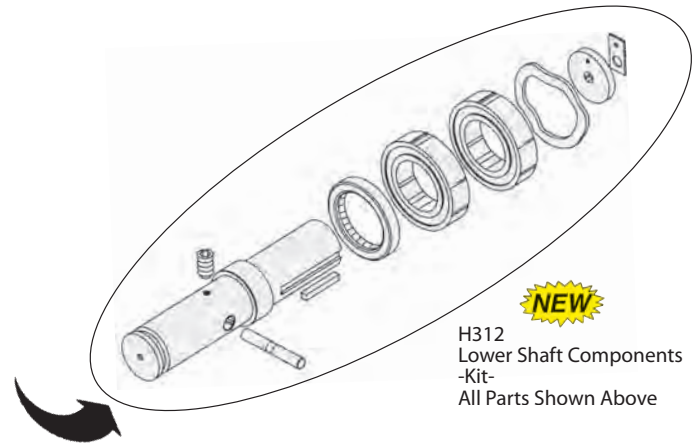
H140
Lower Wheel Shaft
STAINLESS STEEL
w/ H232
5/16-18 Set Screws



H260
Set Screw
1/4-20 - for
OEM shafts

***H232**
Set Screw
5/16-18
(2 Required) To make it easier for repair - NBS Shafts
come with 5/16-18 set screws
(Note: The original Shaft Set Screws are 1/4-20)

All the listed
Lower Shaft
Components
shown can be
ordered as a Kit



NEW

H312
Lower Shaft Components
-Kit-
All Parts Shown Above

**H252 & H251
BEARINGS INCLOSED IN MOTOR**



H251
Front Motor Bearing

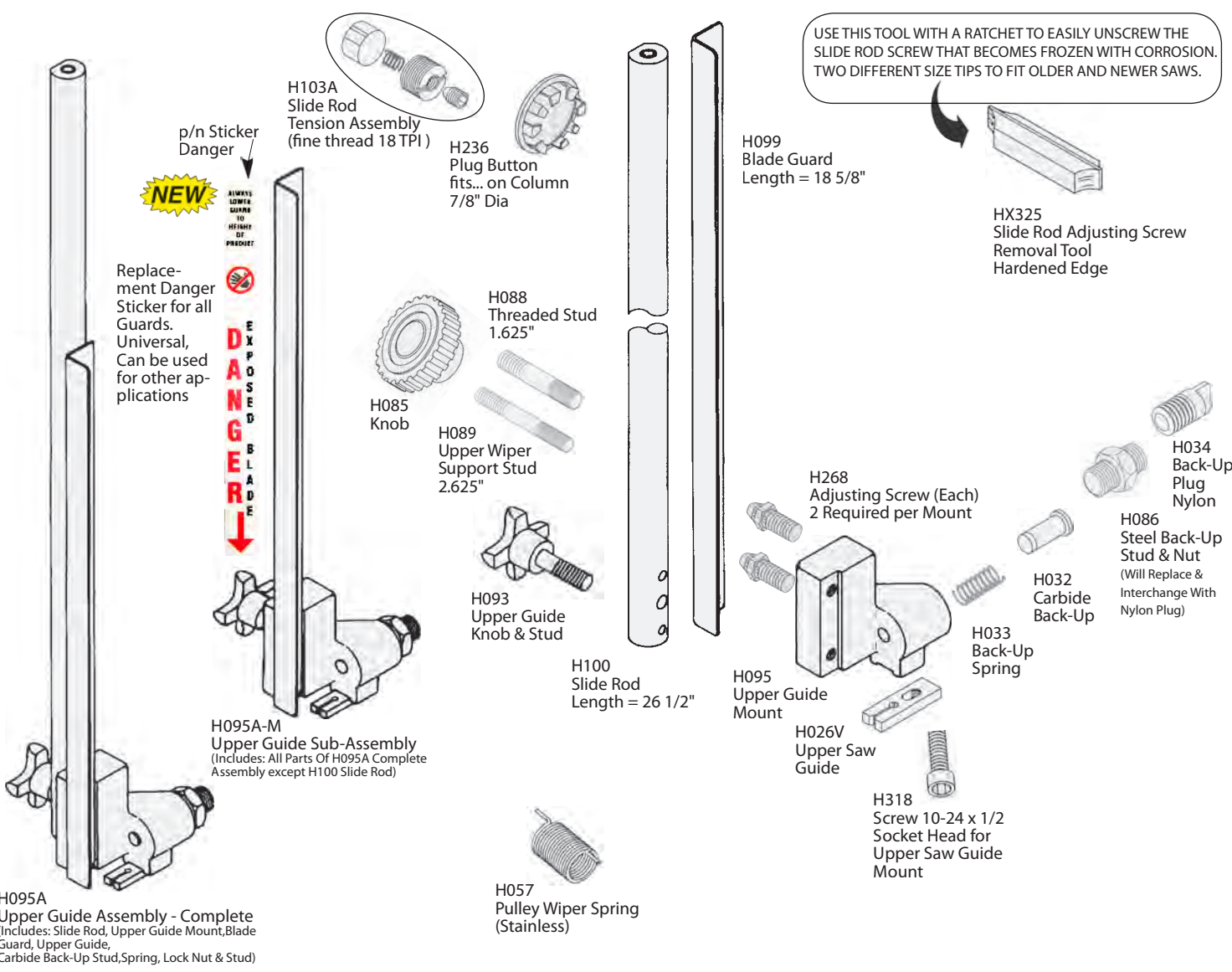
H252
Rear Motor Bearing

Lower Shaft				
Shaft Length	Pin Hole	Front Dia.	Bearing Seat (F) Dia	Bearing Seat (R) Dia
7 1/16"	3/8"	1 3/8"	1 3/8" H114	1 3/8" H114

Use the following Band Saw Blades:
Hobart 6801 SB142"
6614 SB126"

NBS P/N	OEM P/N	DESCRIPTION
H114	BB-8-14	Upper & Lower Main Bearing
H119	N/A	Shaft Hardware Set
H140	292278	Lower Wheel Shaft STAINLESS STEEL
H168	B-290805	Upper & Lower Shaft Seal
H175	436447 / 292273	Shaft Lock Pin 3/8" x 3"
H188	SL-3-11	Loading Spring
H232	N/A	Set Screw 5/16-18
H250	104999	Wheel Assy, fits 6801 16" Wheel
H251	N/A	Bearing, Front Motor
H252	N/A	Bearing, Rear Motor
H255	134048	Wheel Assy, fits 6614 14" Wheel
H260	SC-117-59	Set Screw 1/4-20
H261	109070-9	Lower Shaft Key
H306	N/A	Retaining Ring
H312	N/A	Lower Shaft Components - KIT

HOBART

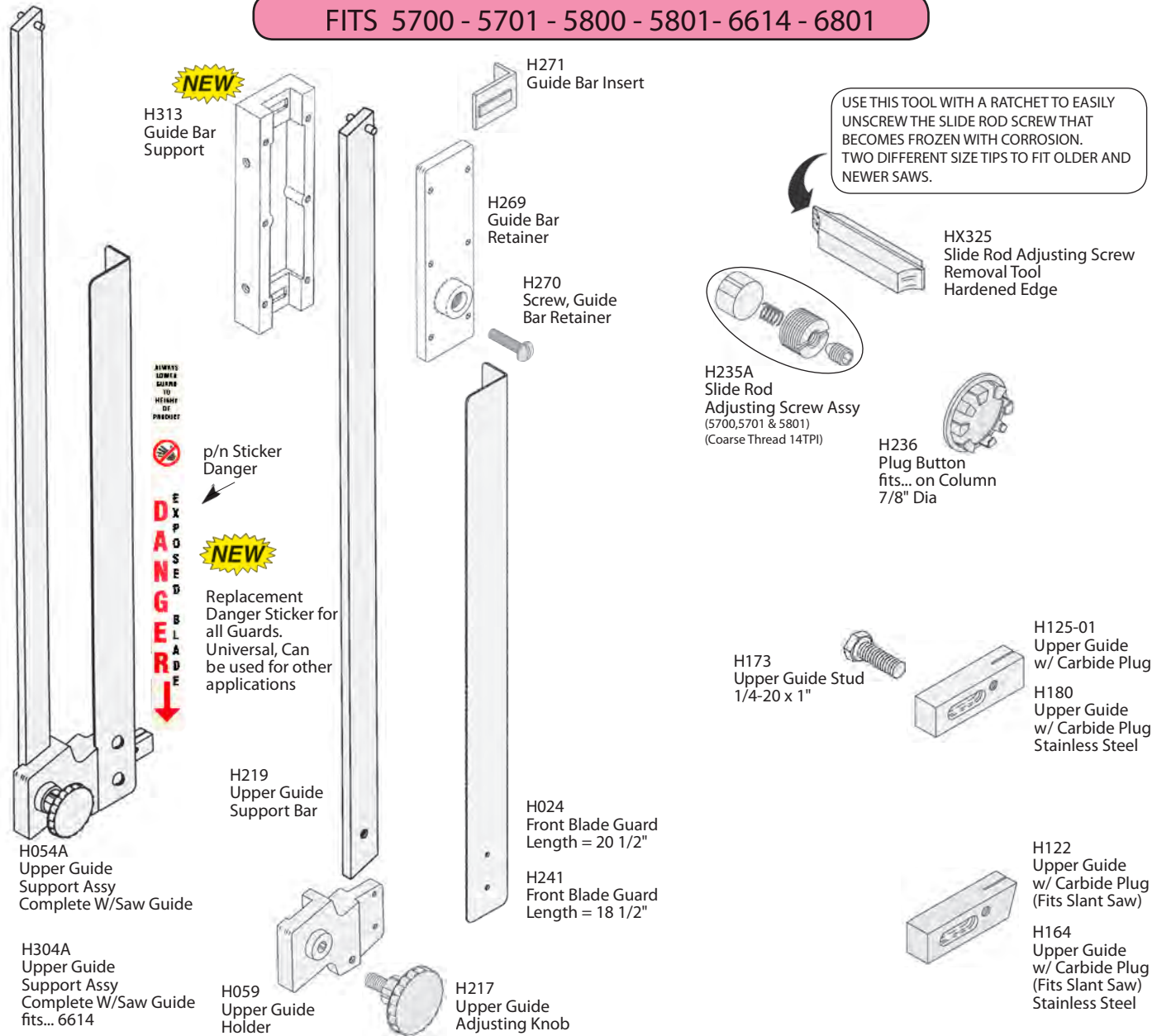


FITS MODELS

NBS P/N	OEM P/N	DESCRIPTION	5212	5214	5216	5514	5614	5700	5701	5801
H026V	P-101929	Upper Saw Guide	X	X	X	X	X			
H032	M101924	Carbide Back-Up Stud	X	X	X	X	X			
H033	M101926	Back-Up Spring	X	X	X	X	X			
H034	SC-49-22	Back-Up Plug	X	X	X	X	X			
H057	M71364	Pulley Wiper Spring (Stainless)	X	X						
H085	M67315	Knob	X	X						
H086	SC-49-22	Steel Back-Up Stud & Nut	X	X	X	X	X			
H088	V21158	Threaded Stud	X	X						
H089	M71362	Upper Wiper Support Stud	X							
H093	A102432-2	Upper Guide Knob & Stud	X	X	X	X	X			
H095	A103305	Upper Guide Mount	X	X	X	X	X			
H095A	A103305	Upper Guide Assembly Complete	X	X	X	X	X			
H095A-M	C113850	Upper Guide Sub-Assembly	X	X	X	X	X			
H099	P71397-1	Blade Guard	X	X	X	X	X			
H100	B102321-2	Slide Rod	X	X	X	X	X			
H103A	M-75864	Slide Rod Tension Assembly	X	X	X	X	X			
H236	PB-2-26	Slide Rod Tension Assembly	X	X	X	X	X			
H268	102322	Adjusting Screw	X	X	X	X	X			
H318	SC-67-6	Screw for Upper Guide Mount	X	X	X	X	X			
HX325	N/A	Adjusting Screw Removal Tool	X	X	X	X	X	X	X	X

FITS 5700 - 5701 - 5800 - 5801- 6614 - 6801

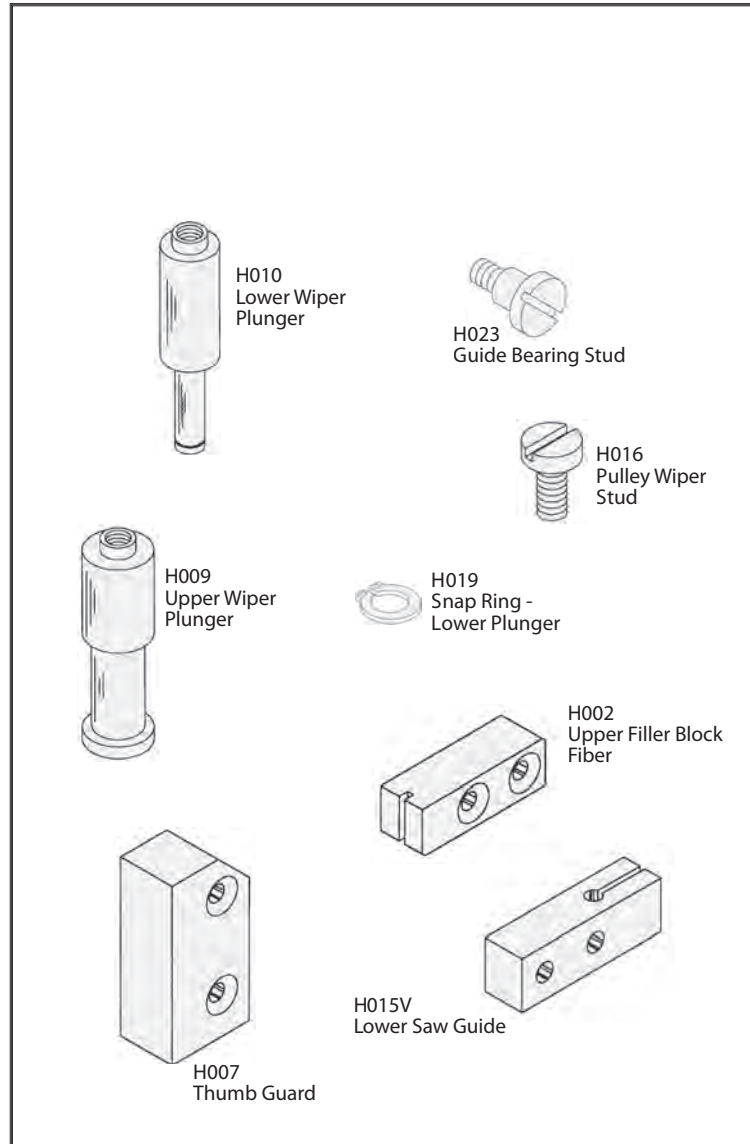
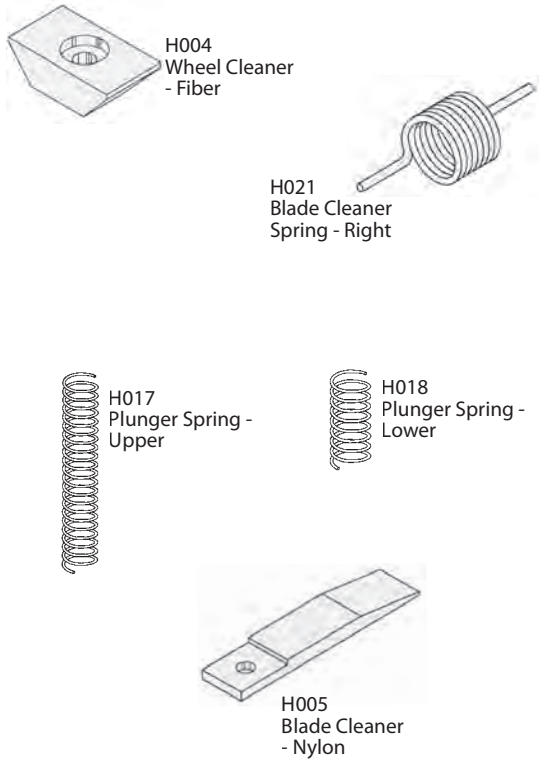
HOBART



FITS MODELS

NBS P/N	OEM P/N	DESCRIPTION	5700	5701	5800	5801	6614	6801
H024	291441	Front Blade Guard	X	X	X	X		X
H054A	291575	Upper Guide Support Assy	X	X	X	X		
H059	290842	Upper Guide Holder	X	X	X	X	X	X
H122	290844-1	Upper Guide w/ Carbide Plug	X	X				
H125-01	290844-1	Upper Guide w/ Carbide Plug				X	X	X
H164	N/A	Upper Guide w/ Carbide Plug SS	X	X				
H173	SC-41-2	Upper Guide Stud				X	X	X
H180	N/A	Upper Guide w/ Carbide Plug SS				X	X	X
H217	120444-2	Upper Guide Adjusting Knob	X	X	X	X	X	X
H219	291575	Upper Guide Support Bar	X	X	X	X		
H235A	290849	Slide Rod Adjusting Screw Assy	X	X	X	X		
H236	PB-2-26	Plug Button	X	X	X			
H241	875056	Front Blade Guard					X	
H269	290845	Guide Bar Retainer	X	X	X	X		
H270	SL-21-35	Screw, Guide Bar Retainer (Each)	X	X	X	X		
H271	290850	Guide Bar Insert	X	X		X		
H304A		Upper Guide Assy					X	
H313	290846	Guide Bar Support	X	X	X	X		
HX325	N/A	Adjusting Screw Removal Tool	X	X	X	X		

le)



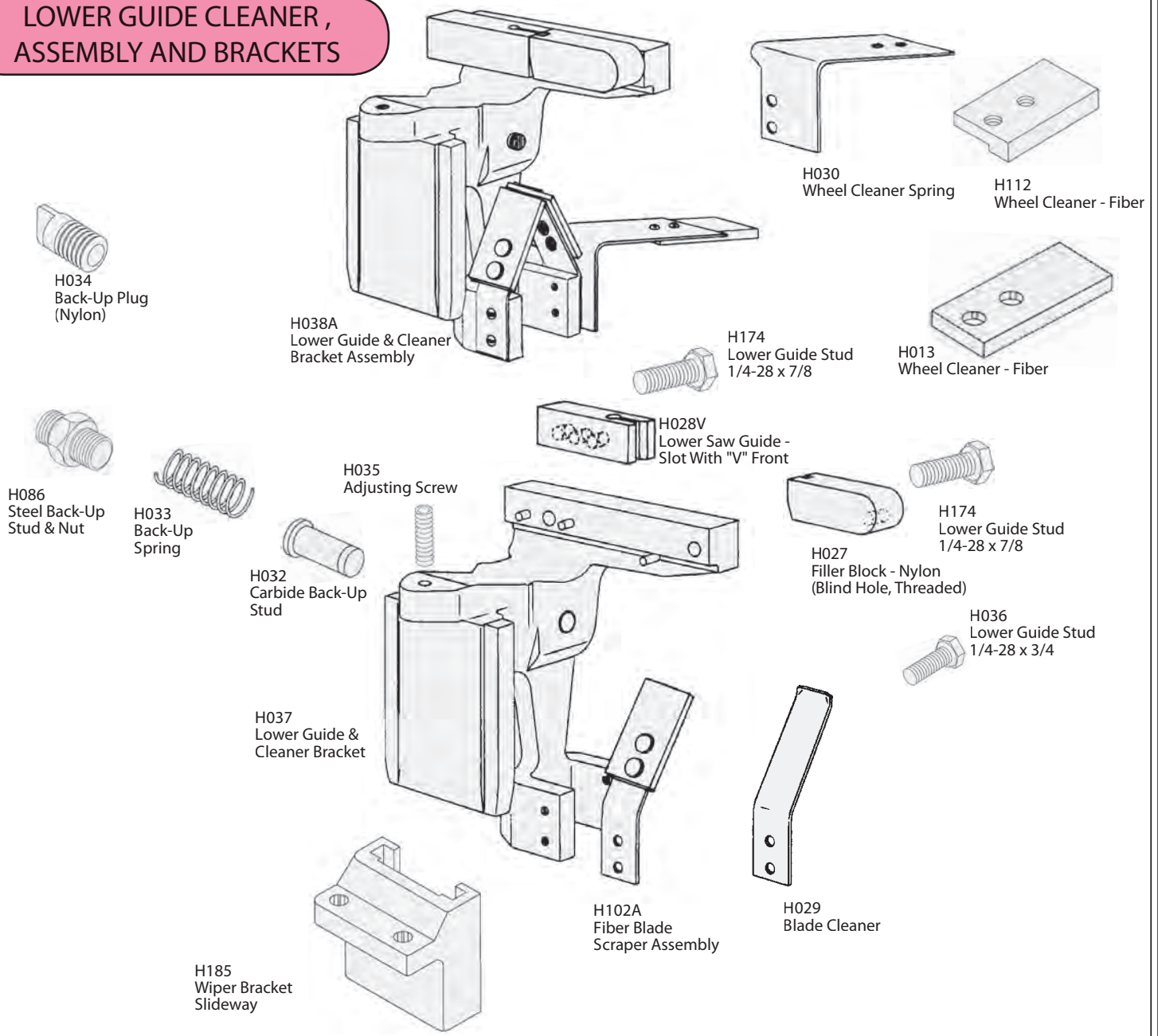
HOBART

FITS MODELS

NBS P/N	OEM P/N	DESCRIPTION	5012	5013	5114	5116	5212	5213	5214	5313	5413
H001	V-20865	Filler Block - Nylon	X					X		X	X
H002	V20845	Upper Filler Block - Fiber		X							
H003V	M20836	Lower Saw Guide	X					X			
H004	M22027	Wheel Cleaner - Fiber	X					X		X	
H005	20839	Blade Cleaner - Nylon		X				X		X	
H007	V-20893	Thumb Guard						X		X	X
H009	M-23269	Upper Wiper Plunger	X					X		X	
H010	V-20837	Lower Wiper Plunger	X					X		X	
H011	V-20895	Hinge Pin						X		X	X
H012	M71363	Filler Block - Nylon (Through Hole)	X		X	X			X		
H015V	M71369	Lower Saw Guide			X	X			X		
H016	M-20836	Pully Wiper Stud	X					X		X	
H017	M-23325	Plunger Spring - Upper	X					X		X	
H018	V-20865	Plunger Spring - Lower	X					X		X	
H019	RR-4-2	Snap Ring - Lower Plunger	X					X		X	
H021	M-20931	Blade Cleaner Spring - Right						X			
H023	20840	Guide Bearing Stud							X	X	

LOWER GUIDE CLEANER, ASSEMBLY AND BRACKETS

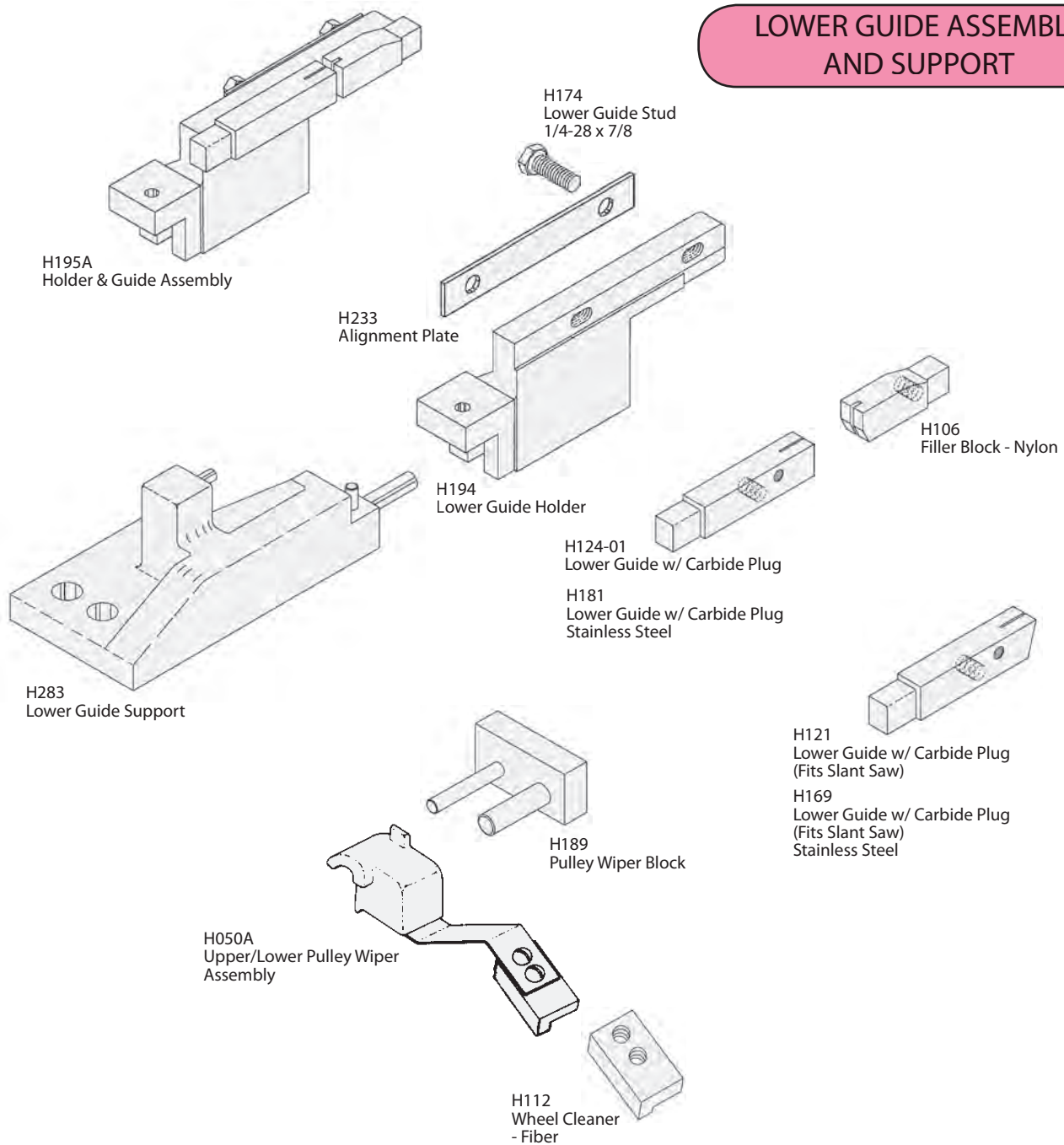
HOBART



FITS MODELS

NBS P/N	OEM P/N	DESCRIPTION	5114	5212	5214	5216	5514	5614
H013	M71368	Wheel Cleaner - Fiber		X	X			
H027	A102653	Filler Block - Nylon (Blind Hole, Threaded)		X		X	X	X
H028V	M71379	Lower Saw Guide - Slot With "V" Front		X		X	X	X
H029	M86340	Blade Cleaner		X	X	X	X	X
H030	M101934	Wheel Cleaner Spring	X		X	X	X	
H032	M101924	Carbide Back-Up Stud		X	X	X	X	X
H033	M101926	Back-Up Spring		X	X	X	X	X
H034	SC-49-22	Back-Up Plug (Nylon)		X	X	X	X	X
H035	SC-109-84	Adjusting Screw	X	X	X	X	X	X
H037	A-113184	Lower Guide & Cleaner Bracket	X	X	X	X	X	X
H038A	C-113869	Lower Guide & Cleaner Bracket Assembly	X	X	X	X	X	X
H086	SC-49-22	Steel Back-Up Stud & Nut		X	X	X	X	X
H102A	B-110254	Fiber Blade Scraper Assembly	X	X	X	X	X	X
H112	71368 / 123886	Wheel Cleaner - Fiber	X		X	X	X	
H174	875235	Filler & Guide Stud 1/4-28 x 7/8 hex cap	X	X	X	X	X	X
H185	C121161	Wiper Bracket Slideway		X		X		

LOWER GUIDE ASSEMBLY AND SUPPORT



HOBART

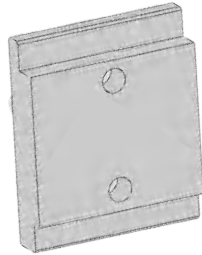
FITS MODELS

NBS P/N	OEM P/N	DESCRIPTION	5216	5514	5614	5700	5701	5801	6614	6801
H050A	B102399	Upper/Lower Pulley Wiper Assembly	X	X	X	X	X	X	X	X
H106	291658	Filler Block - Nylon				X	X	X	X	X
H112	71368 / 123886	Wheel Cleaner - Fiber	X	X	X	X	X	X	X	X
H121	291650-1	Lower Guide w/ Carbide Plug				X	X			
H124-01	291670-1	Lower Guide w/ Carbide Plug						X	X	X
H169	N/A	Lower Guide w/ Carbide Plug SS				X	X			
H174	SC-116-26	Lower Guide Stud				X	X	X	X	X
H181	N/A	Lower Guide w/ Carbide Plug SS						X	X	X
H189	291831	Pulley Wiper Block				X	X	X	X	X
H194	291649-2	Lower Guide Holder				X	X	X	X	X
H195A	291652-1	Holder & Guide Assembly					X	X	X	X
H233	875235	Alignment Plate	X	X	X	X	X	X	X	X
H283	291653	Lower Guide Support				X	X	X	X	X

HOBART WIPER AND BLADE CLEANERS

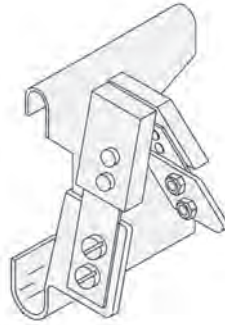
H319
Screw 1/4-20 x 1
Blade Scraper Assembly
Support

NEW

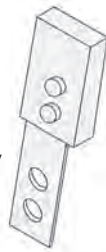


NEW

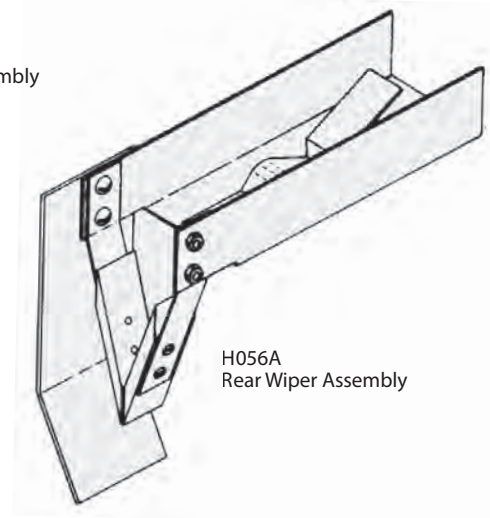
H182
Support - Nylon, for Blade
Scraper Assembly



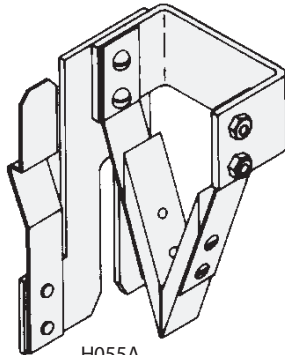
H183A
Blade Scraper Assembly
with Fiber Scrapers



H184A
Fiber Blade
Scraper Assembly



H056A
Rear Wiper Assembly



H055A
Rear Wiper Assembly



H113
Blade Cleaner
Steel



H123
Blade Scraper
Steel
fits.. Slant Saw



H049A
Blade Cleaner &
Spring Assembly
- Nylon

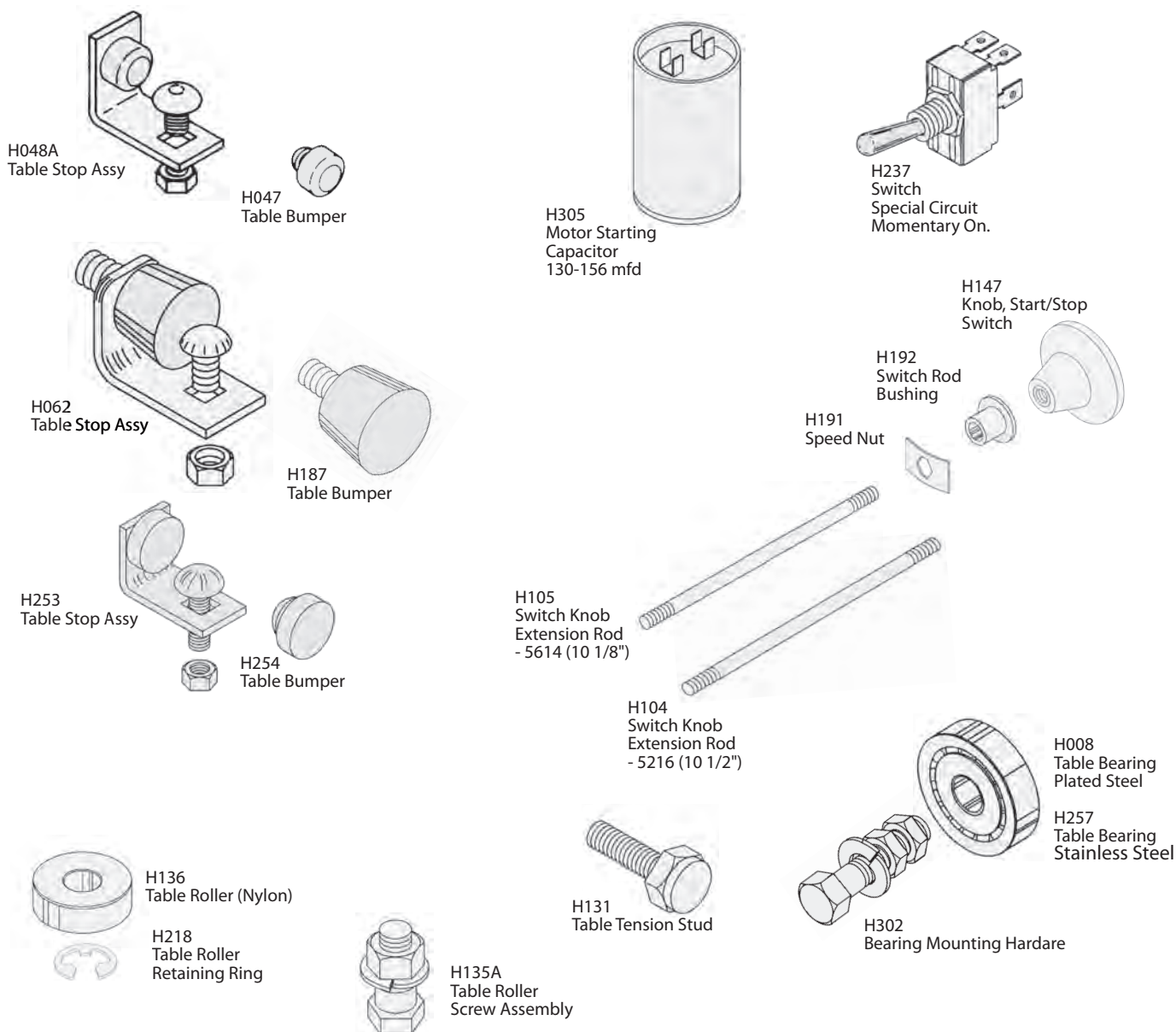


H014
Blade Cleaner
- Nylon

FITS MODELS

NBS P/N	OEM P/N	DESCRIPTION	5012	5214	5216	5514	5614	5700	5701	5801	6614	6801
H014	110253	Blade Cleaner - Nylon	X	X	X	X	X					
H049A	110254	Blade Cleaner & Spring Assembly - Nylon	X	X	X	X	X					
H055A	104786	Rear Wiper Assembly		X	X							
H056A	104349	Rear Wiper Assembly				X	X					
H113	B12170	Blade Cleaner - Steel							X	X		
H123	N/A	Blade Scraper - Steel - Slant Saw						X				
H182	290822	Support - Nylon for H183A Blade Scraper Assy						X	X	X	X	X
H183A	290798	Blade Scraper Assembly with Fiber Scrapers						X	X	X	X	X
H184A	N/A	Fiber Blade Scraper Assembly - fits H183A						X	X	X	X	X
H182	N/A	Suport - Nylon for Blade Scraper Assembly						X	X	X	X	X
H319	N/A	Screw 1/4-20 x 1 Blade Scraper Assembly Support						X	X	X	X	X

HOBART



FITS MODELS

NBS P/N	OEM P/N	DESCRIPTION	5212	5214	5216	5514	5614	5700	5701	5801	6614	6801
H008	BB-8-11	Table Bearing	X	X	X	X	X	X	X	X	X	X
H047	P-77318	Table Bumper	X	X	X	X	X					
H048A	P-86049	Table Stop Assembly	X	X	X	X	X					
H062	119827	Table Stop Assembly						X	X	X		
H104	M78833-2	Switch Extension Rod - 5216 (10 1/2")			X							
H105	M78833-3	Switch Extension Rod - 5614 (10 1/8")				X	X					
H131	A291675	Table Tension Stud						X	X	X		
H135A		Table Roller Screw Assembly						X	X	X		
H136	290789	Table Roller (Nylon)						X	X	X		
H147	290885	Switch Knob			X		X	X	X	X	X	X
H187	18682-2	Table Bumper					X	X	X	X		
H191	M80540	Speed Nut (Each)	X	X	X	X	X					
H192	M80538	Switch Rod Bushing (Each)	X	X	X	X	X					
H218	RR-10-12	Table Roller Retaining Ring						X	X	X		
H237	875567	Switch	X		X		X	X	X	X	X	X
H253	479107	Table Stop Assembly									X	X
H254	873789	Table Bumper									X	X
H257	BB-8-11	Table Bearing - Stainless Steel	X	X	X	X	X	X	X	X	X	X
H302	SC-41-31	Bearing Mounting Hardware	X	X	X	X	X	X	X	X	X	X
H305	N/A	Motor Starting Capacitor						X	X	X		

HOBART

Includes: Worm Bracket Assembly, Mounting Pin, Gauging Pin, Positioning Knob, Gauge Plate Bushing

H091A-14 Gauge Plate Assembly Complete

H092A-16 Gauge Plate Assembly Complete

H084 Gauge Plate Bushing (Fits in Gauge Plate Assemblies H091-14 & H091-16)

H091-14 Gauge Plate Only (Includes Rack Bushing)

H092-16 Gauge Plate Only (Includes Rack Bushing)

H098 Nylon Slide

H097 Mounting Pin

H096 Gauging Pin

H093 Positioning Knob

H133 Gauge Support/Front fits... 5212, 5214, 5514, 5614

H310 Gauge Support/Front fits... 5212, 5214, 5514, 5614

H090 Worm Bracket Knob

H097 Mounting Pin (Custom Designed to Remove in Either Direction)

H108 Worm Bracket Bushing

H111 Gauge Plate Spring

H110 Worm & Shaft

H107 Worm Bracket w/Bushings

H108 Worm Bracket Bushing

H109 Worm Shaft Spacer

H134 Gauge Support/Rear fits... 5216

H311 Gauge Support/Rear fits... 5212, 5214, 5514, 5614

H087A Worm Bracket Assembly

H215 Gauge Plate Rack 7/8 Dia. x 19 3/16 Stainless Steel

H216 Gauge Plate Rack 7/8 Dia. x 21 11/16 Stainless Steel

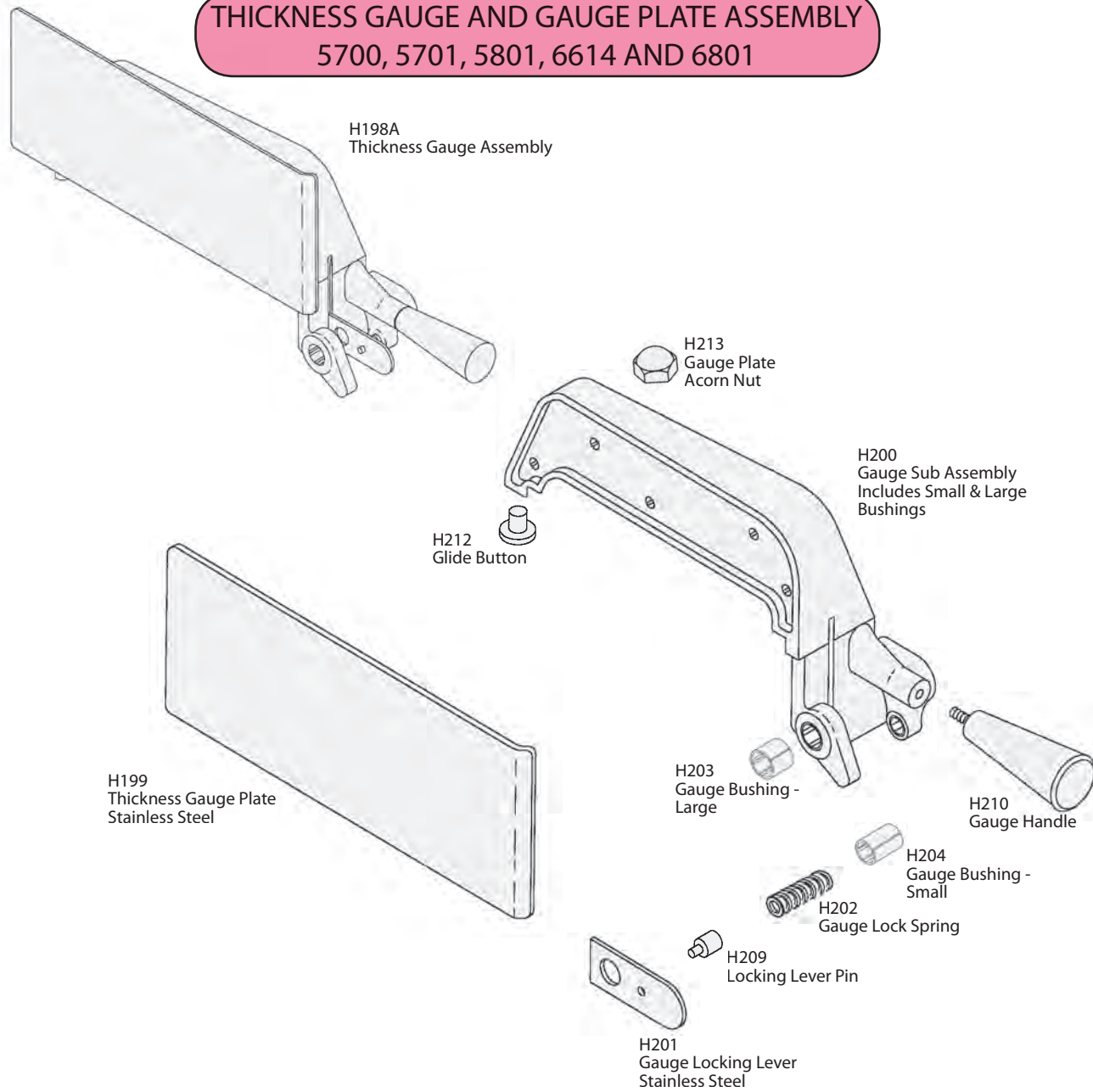
A WORN OUT 5114 GAUGE PLATE ASSY CAN BE REPLACED BY USING BOTH THE H091A-14 GAUGE PLATE ASSEMBLY AND H215 GAUGE PLATE RACK

STAINLESS STEEL

FITS MODELS

NBS P/N	OEM P/N	DESCRIPTION	5212	5213	5214	5216	5514	5614
H051	M77514	Gauge Release Knob		X				
H063	78920	Slug			X	X	X	X
H084	74424	Gauge Plate Bushing	X		X	X	X	X
H087A	77846	Worm Bracket Assembly	X		X	X	X	X
H090	118551	Worm Bracket Knob	X		X	X	X	X
H091-1412	4056-1	Gauge Plate Only (Includes Rack Bushing)	X		X		X	X
H091A-14	120139-2	Gauge Plate Assembly Complete	X		X		X	X
H092-16	R102877-2	Gauge Plate Only (Includes Rack Bushing)				X		
H092A-16	124056-2	Gauge Plate Assembly Complete				X		
H093	A102432-1	Positioning Knob			X	X	X	X
H096	M85397	Gauging Pin	X		X	X	X	X
H097	M77235	Mounting Pin	X		X	X	X	X
H098	M79155	Nylon Slide	X		X	X	X	X
H107	M83481	Worm Bracket with Bushings	X		X	X	X	X
H108	N/A	Worm Bracket Bushing	X		X	X	X	X
H109	WS18-36	Worm Shaft Spacer	X		X	X	X	X
H110	M77843	Worm & Shaft	X		X	X	X	X
H111	P77848	Gauge Plate Spring	X		X	X	X	X
H133	117404	Gauge Support/Front				X		
H134	117405	Gauge Support/Rear			X	X		
H215	77841-1	Gauge Plate Rack	X		X		X	X
H216	77842-2	Gauge Plate Rack				X		
H310	78915-2	Gauge Support/Front	X		X		X	X
H311	77958-2	Gauge Support/Rear	X		X		X	X

**THICKNESS GAUGE AND GAUGE PLATE ASSEMBLY
5700, 5701, 5801, 6614 AND 6801**



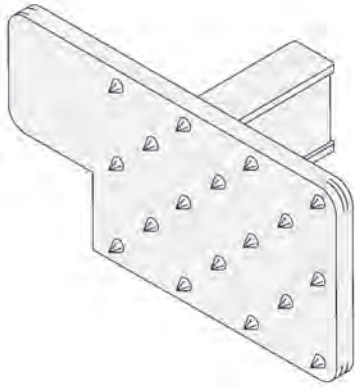
HOBART

FITS MODELS

NBS P/N	OEM P/N	DESCRIPTION	5700	5701	5801	6614	6801
H198A	292347	Thickness Gauge Assembly	X	X	X	X	X
H199	291431	Thickness Gauge Plate	X	X	X	X	X
H200	292347	Gauge Sub Assembly	X	X	X	X	X
H201	290769	Gauge Locking Lever	X	X	X	X	X
H202	291933	Gauge Lock Spring	X	X	X	X	X
H203	110544-9	Gauge Bushing - Large	X	X	X	X	X
H204	110544-10	Gauge Bushing - Small	X	X	X	X	X
H209	291932	Locking Lever Pin	X	X	X	X	X
H210	701194	Gauge Handle	X	X	X	X	X
H212	290764	Glide Button	X	X	X	X	X
H213	NS-25-4	Gauge Plate Acorn Nut (Each)	X	X	X	X	X

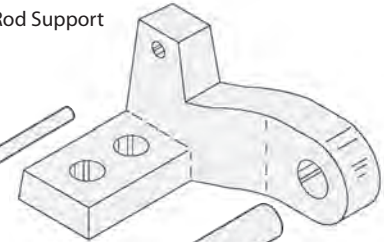
HOBART

PUSHER PLATE AND ROD SUPPORT



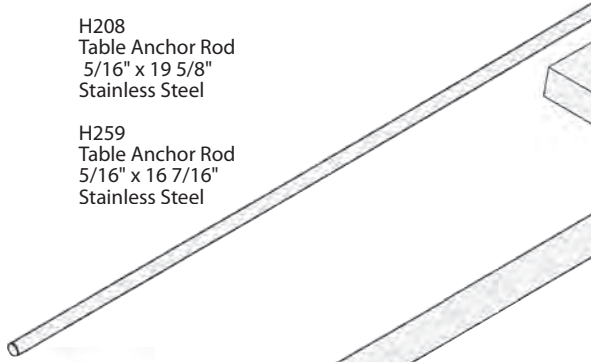
H242
Pusher Plate
(Fits 5700, 5701,
5801, 6614, 6801)

H206
Rear Shaft & Rod Support



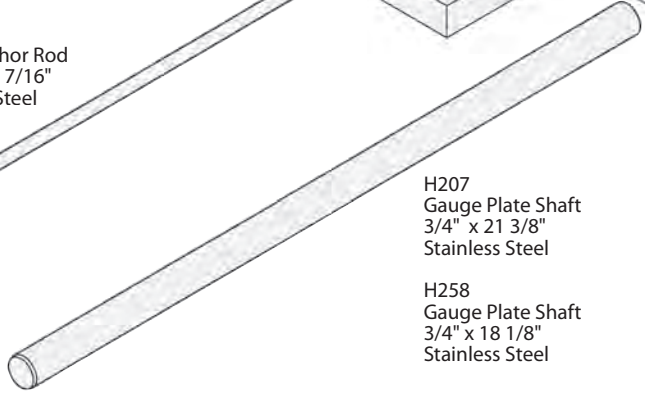
H208
Table Anchor Rod
5/16" x 19 5/8"
Stainless Steel

H259
Table Anchor Rod
5/16" x 16 7/16"
Stainless Steel

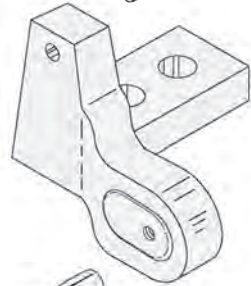


H207
Gauge Plate Shaft
3/4" x 21 3/8"
Stainless Steel

H258
Gauge Plate Shaft
3/4" x 18 1/8"
Stainless Steel



H205
Front Shaft & Rod Support



H211
Cap Screw & Washer

H214
Set Screw & Groove Pin
(1/pkg)



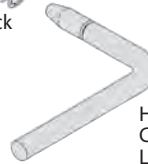
H264
Retaining Ring



H263
Carriage Lock Spring



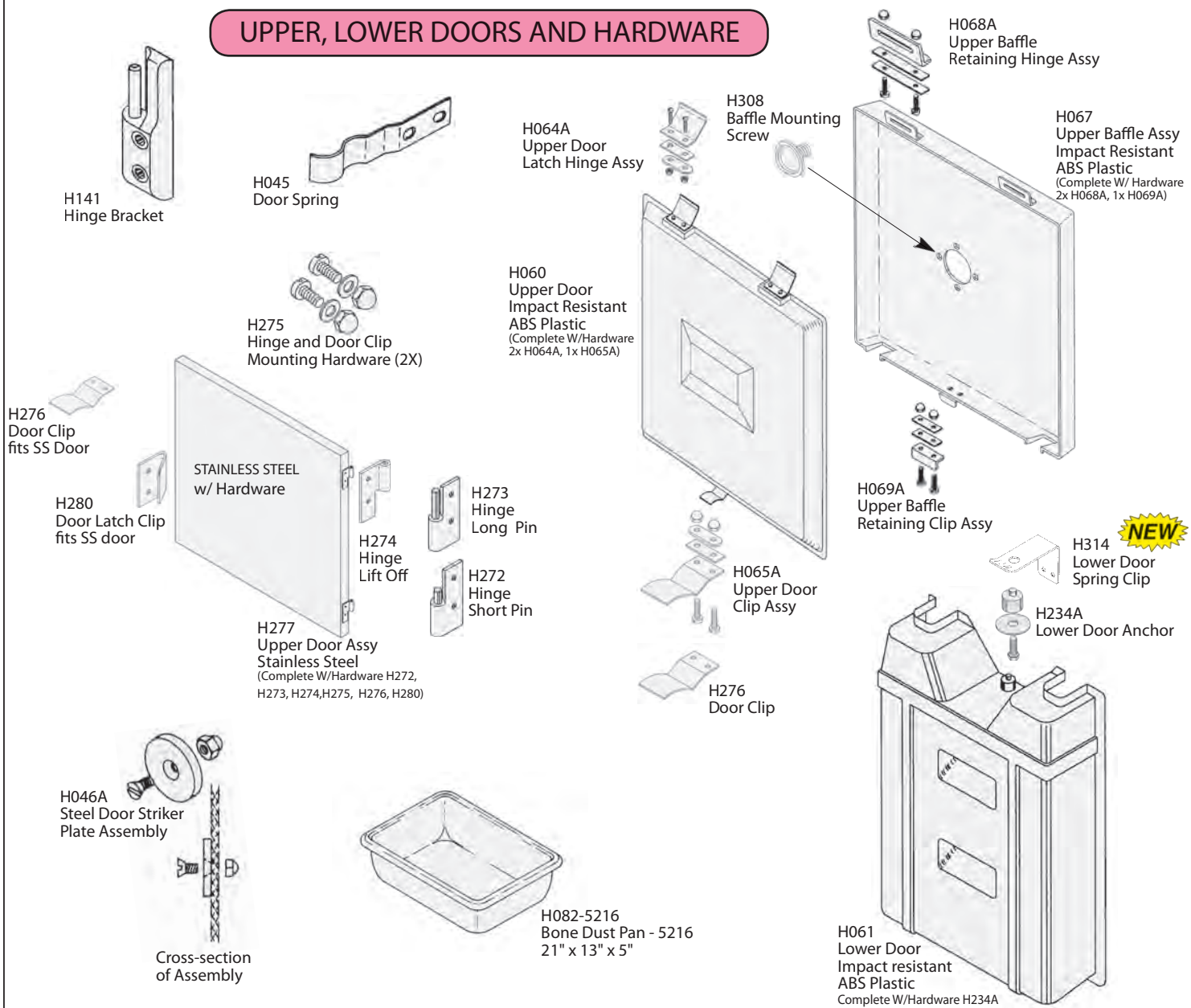
H262
Carriage Lock Lever



FITS MODELS

NBS P/N	OEM P/N	DESCRIPTION	5700	5701	5801	6614	6801
H205	290792	Front Shaft & Rod Support	X	X	X	X	X
H206	290757	Rear Shaft & Rod Support	X	X	X	X	X
H207	290770	Gauge Plate Shaft 3/4" dia.	X	X	X		X
H208	290758-2	Table Anchor Rod 5/16" dia.	X	X	X		X
H211	SC-41-31	Cap Screw & Washer (Each)	X	X	X	X	X
H214	SC-64-27	Set Screw & Groove Pin (1/pkg)	X	X	X	X	X
H242	291435	Pusher Plate	X	X	X	X	X
H258	290770-3	Gauge Plate Shaft				X	
H259	290758-4	Table Anchor Rod				X	
H262	290795	Carriage Lock Lever	X	X		X	X
H263	290787	Carriage Lock Spring	X	X		X	X
H264	RR-11-09	Retaining Ring	X	X		X	X

UPPER, LOWER DOORS AND HARDWARE



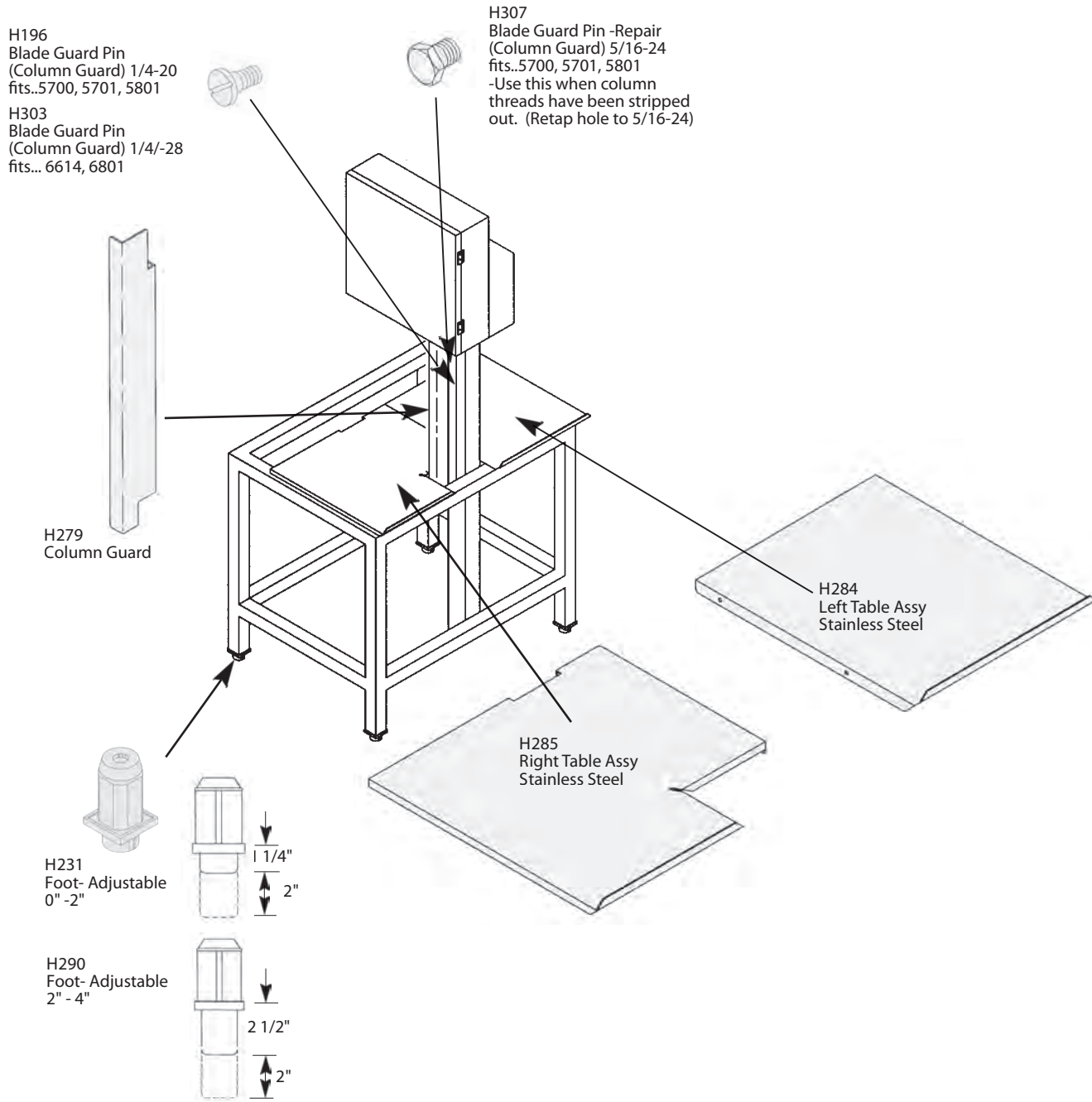
HOBART

FITS MODELS

NBS P/N	OEM P/N	DESCRIPTION	5212	5214	5216	5514	5614	5700	5701	5801	6614	6801
H045	M68176	Door Spring		X	X	X	X					
H046A	N/A	Steel Door Striker Plate Assy		X	X	X	X					
H060	290861/274997	Upper Door						X	X	X		
H061	875184	Lower Door						X	X	X	X	X
H064A	291503	Upper Door Latch Hinge Assy						X	X	X		
H065A	291502	Upper Door Latch Clip Assy						X	X	X	X	X
H067	291531	Upper Baffle Baffle Assy						X	X	X		
H068A	292314/274998	Upper Baffle Retainer Hinge Assy						X	X	X		
H069A	291501	Upper Baffle Retaining Clip Assy						X	X	X		
H082-5216	S101054	Bone Dust Pan - 5216 21" x 13" x 5"			X							
H141	P78917	Hinge Bracket	X	X	X	X	X					
H234A	290860	Lower Door Anchor						X	X	X	X	X
H272	437676	Hinge Short Pin								X	X	X
H273	437378-3	Hinge Long Pin								X	X	X
H274	437378	Hinge Lift Off								X	X	X
H275	N/A	Hinge Mounting Hardware (2X)								X	X	X
H276	291502	Door Clip								X	X	X
H277	479153	Upper Door Assy - Stainless Steel								X	X	X
H280	437608	Door Latch								X	X	X
H308	SC-53-15	Upper Baffle Mounting Screw								X	X	X
H314	290788	Door Cover Clip for Lower Saw Door						X	X	X	X	X

**COLUMN GUARD, TABLE ASSEMBLIES (S.S) AND
ADJUSTABLE FOOT
5700, 5701, 5801, 6614 AND 6801**

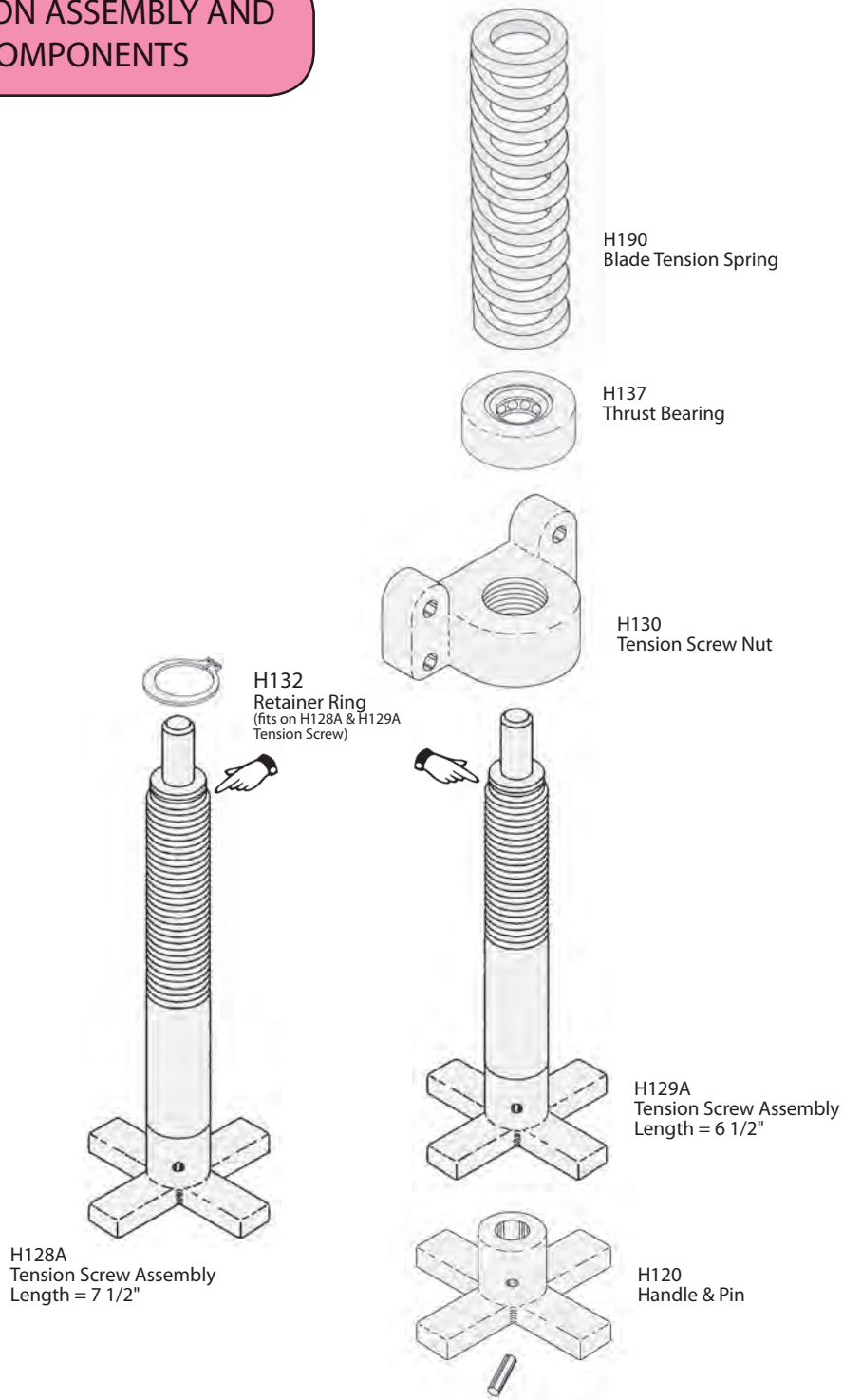
HOBART



FITS MODELS

NBS P/N	OEM P/N	DESCRIPTION	5700	5701	5801	6614	6801
H196	290856	Blade Guard Pin	X	X	X		
H231	290748	Foot - Standard (0"-2"Adjustable)	X	X	X	X	X
H279	875256	Column Guard	X	X	X		X
H284	290771	Left Table Assy	X	X	X		X
H285	291654	Right Table Assy	X	X	X		X
H290	435792	Foot - (2" - 4" Adjustable)	X	X	X	X	X
H303	436908	Blade Guard Pin (1/4-28)				X	X
H307	N/A	Blade Guard Pin - Repair (5/16-18)	X	X	X	X	X

TENSION ASSEMBLY AND COMPONENTS



HOBART

NBS P/N	OEM P/N	DESCRIPTION	FITS MODELS				
			5116	5214	5216	5514	5614
H120	79756	Handle & Pin		X	X	X	X
H128A	120469-3	Tension Screw Assembly Length = 7 1/2"			X		
H129A	71751	Tension Screw Assembly Length = 6 1/2"		X		X	X
H130	75897	Tension Screw Nut	X	X	X	X	X
H132	RR-4-8	Retainer Ring	X	X	X	X	X
H137	BB-13-1	Thrust Bearing	X	X	X	X	X
H190	20867	Blade Tension Spring	X		X	X	X

HOBART

TENSION ASSEMBLY AND COMPONENTS

Fits: 5700, 5701, 5801, 6614 & 6801

ALL "X" OUT PARTS ARE NO LONGER AVAILABLE.



H220
Tension Adjust Handle
With Pin



H222
Washer



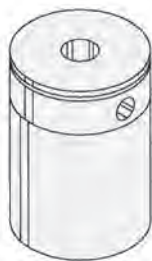
H223
Needle Bearing



H222
Washer



NO LONGER AVAILABLE



H224
Bushing & Tube Assy



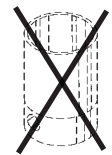
H225
Slot Washer



NO LONGER AVAILABLE



H227
Spring



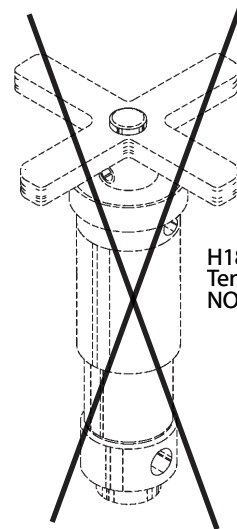
NO LONGER AVAILABLE



H229
Cap



H230
End Cap
Screw
& Washer



H182A
Tension Assy
NO LONGER AVAILABLE

USE H289A AS A DIRECT REPLACEMENT

SOME INDIVIDUAL COMPONENTS STILL AVAILABLE



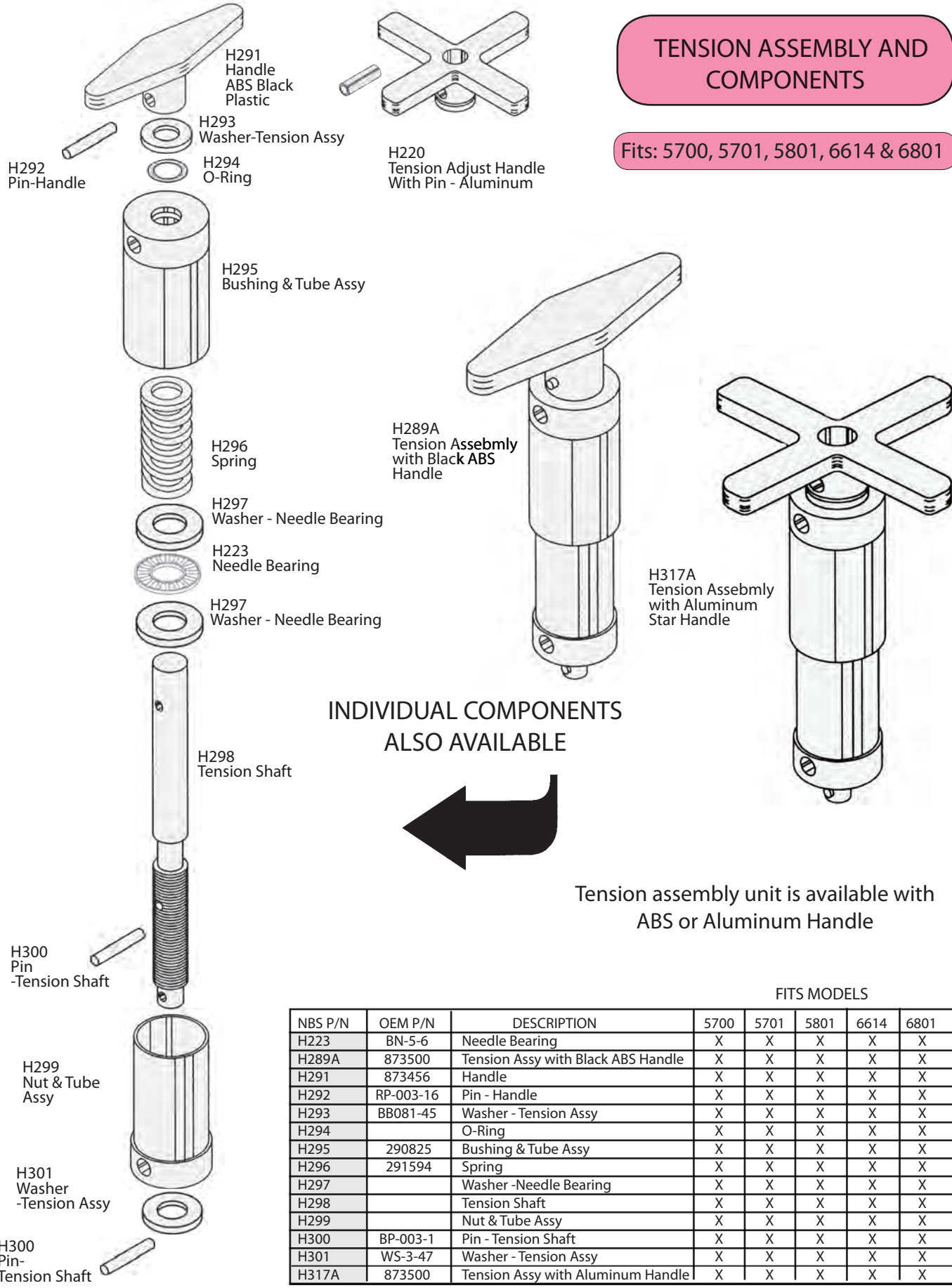
FITS MODELS

NBS P/N	OEM P/N	DESCRIPTION	5700	5701	5801	6614	6801
H220	292361	Tension Adjust Handle w/ Pin	X	X	X	X	X
H222	WS-29-37	Washer	X	X	X	X	X
H223	BN-5-6	Needle Bearing	X	X	X	X	X
H224	290825	Bushing & Tube Assy	X	X	X	X	X
H225	291662	Slot Washer	X	X	X	X	X
H227	291594	Spring	X	X	X	X	X
H229	N/A	Cap	X	X	X	X	X
H230	SC-41-50	End Cap Screw & Washer	X	X	X	X	X

TENSION ASSEMBLY AND COMPONENTS

Fits: 5700, 5701, 5801, 6614 & 6801

HOBART



INDIVIDUAL COMPONENTS
ALSO AVAILABLE

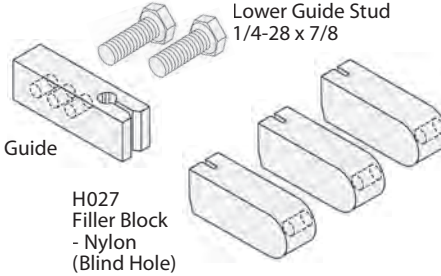
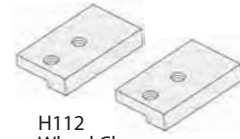
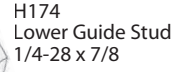
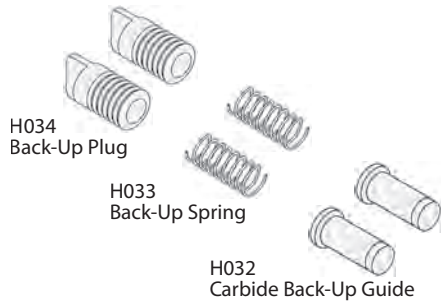
Tension assembly unit is available with
ABS or Aluminum Handle

FITS MODELS

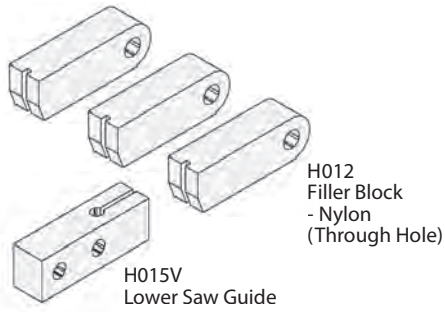
NBS P/N	OEM P/N	DESCRIPTION	5700	5701	5801	6614	6801
H223	BN-5-6	Needle Bearing	X	X	X	X	X
H289A	873500	Tension Assy with Black ABS Handle	X	X	X	X	X
H291	873456	Handle	X	X	X	X	X
H292	RP-003-16	Pin - Handle	X	X	X	X	X
H293	BB081-45	Washer - Tension Assy	X	X	X	X	X
H294		O-Ring	X	X	X	X	X
H295	290825	Bushing & Tube Assy	X	X	X	X	X
H296	291594	Spring	X	X	X	X	X
H297		Washer - Needle Bearing	X	X	X	X	X
H298		Tension Shaft	X	X	X	X	X
H299		Nut & Tube Assy	X	X	X	X	X
H300	BP-003-1	Pin - Tension Shaft	X	X	X	X	X
H301	WS-3-47	Washer - Tension Assy	X	X	X	X	X
H317A	873500	Tension Assy with Aluminum Handle	X	X	X	X	X

HOBART

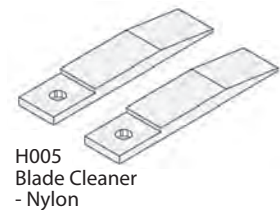
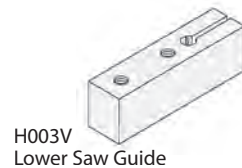
HRK-1
Hobart Repair Kit
Models 5212, 5214, 5216 & 5514



HRK-2
Hobart Repair Kit
Models 5014, 5016, 5114 & 5116



HRK-3
Hobart Repair Kit
Models 5013, 5213, 5313 & 5413

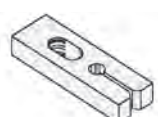


HOBART

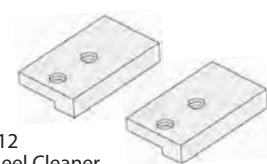
HRK-4 Hobart Repair Kit Model 5614



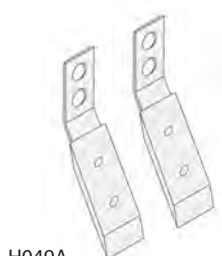
H113
Blade Cleaner
-Steel



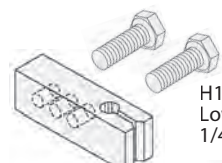
H026V
Upper Saw Guide



H112
Wheel Cleaner
- Fiber



H049A
Blade Cleaner &
Spring Assembly
- Nylon

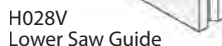


H174
Lower Guide Stud
1/4-28 x 7/8

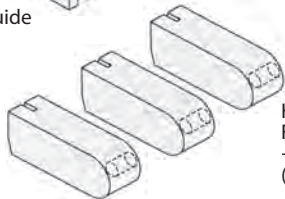


H034
Back-Up Plug

H033
Back-Up Spring



H028V
Lower Saw Guide

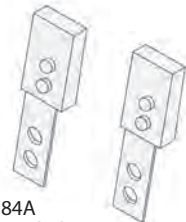


H027
Filler Block
- Nylon
(Blind Hole)

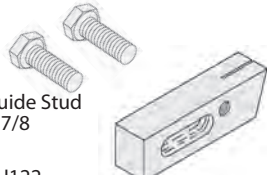


H032
Carbide Back-Up Guide

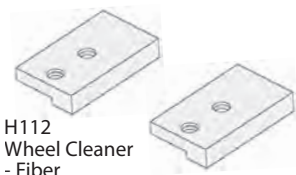
HRK-5 Hobart Repair Kit Model 5700



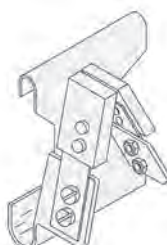
H184A
Fiber Blade
Scraper Assembly



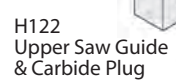
H174
Lower Guide Stud
1/4-28 x 7/8



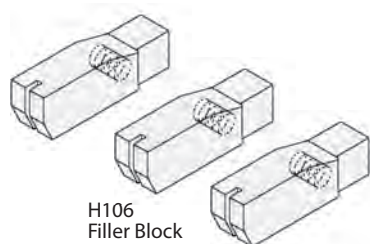
H112
Wheel Cleaner
- Fiber



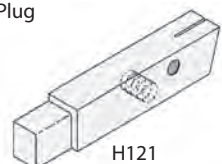
H183A
Blade Scraper Assembly
with Fiber Scrapers



H122
Upper Saw Guide
& Carbide Plug

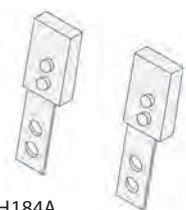


H106
Filler Block
- Nylon

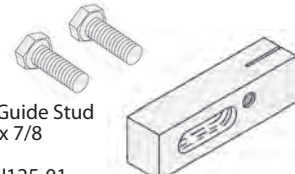


H121
Lower Saw Guide
& Carbide Plug

HRK-6 Hobart Repair Kit Models 5701, 5801, 6614, 6801



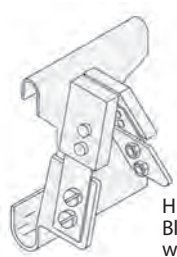
H184A
Fiber Blade
Scraper Assembly



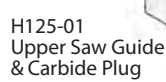
H174
Lower Guide Stud
1/4-28 x 7/8



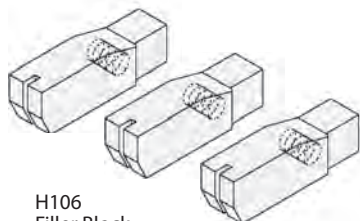
H112
Wheel Cleaner
- Fiber



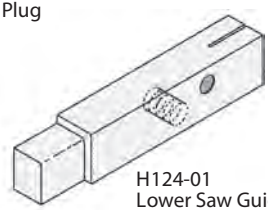
H183A
Blade Scraper Assembly
with Fiber Scrapers



H125-01
Upper Saw Guide
& Carbide Plug

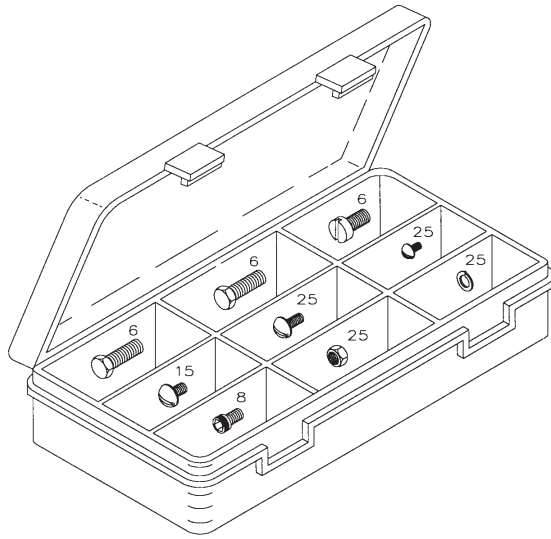


H106
Filler Block
- Nylon



H124-01
Lower Saw Guide
& Carbide Plug

HRK-7
Hardware Kit
Hobart Saws



Kit consists of 141 STAINLESS STEEL nuts, bolts, screws and washers in a break resistant plastic container.

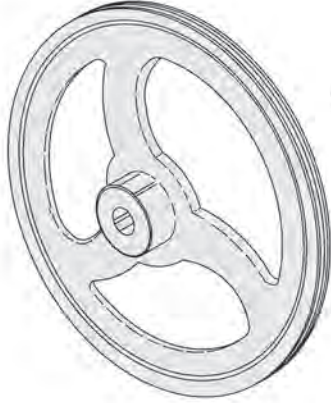
QTY	DESCRIPTION
6	1/4-20 x 1 HEX HEAD, CAP SCREW
6	1/4-28 x 3/4 HEX HEAD, CAP SCREW
6	1/4-20 x 1/2 FILLISTER, SLOTTED SCREW
15	10-24 x 1/4 ROUND HEAD, SLOTTED MACHINE SCREW
25	8-32 x 3/8 ROUND HEAD, SLOTTED MACHINE SCREW
25	8-32 x 1/4 ROUND HEAD, SLOTTED MACHINE SCREW
8	10-24 x 1/2 SOCKET HEAD CAP SCREW
25	8-32 HEX NUT
25	#10 SPLIT LOCK WASHER

HOBART

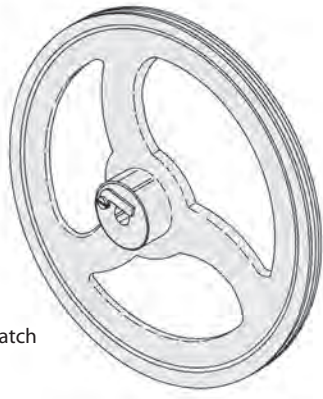
FITS HI-YIELD 16

HOLLYMATIC SAW

HL322U
Upper/ Lower Saw Wheel
-Tapered Shaft Hole
- Will fit on old style tapered shaft
-16"Dia



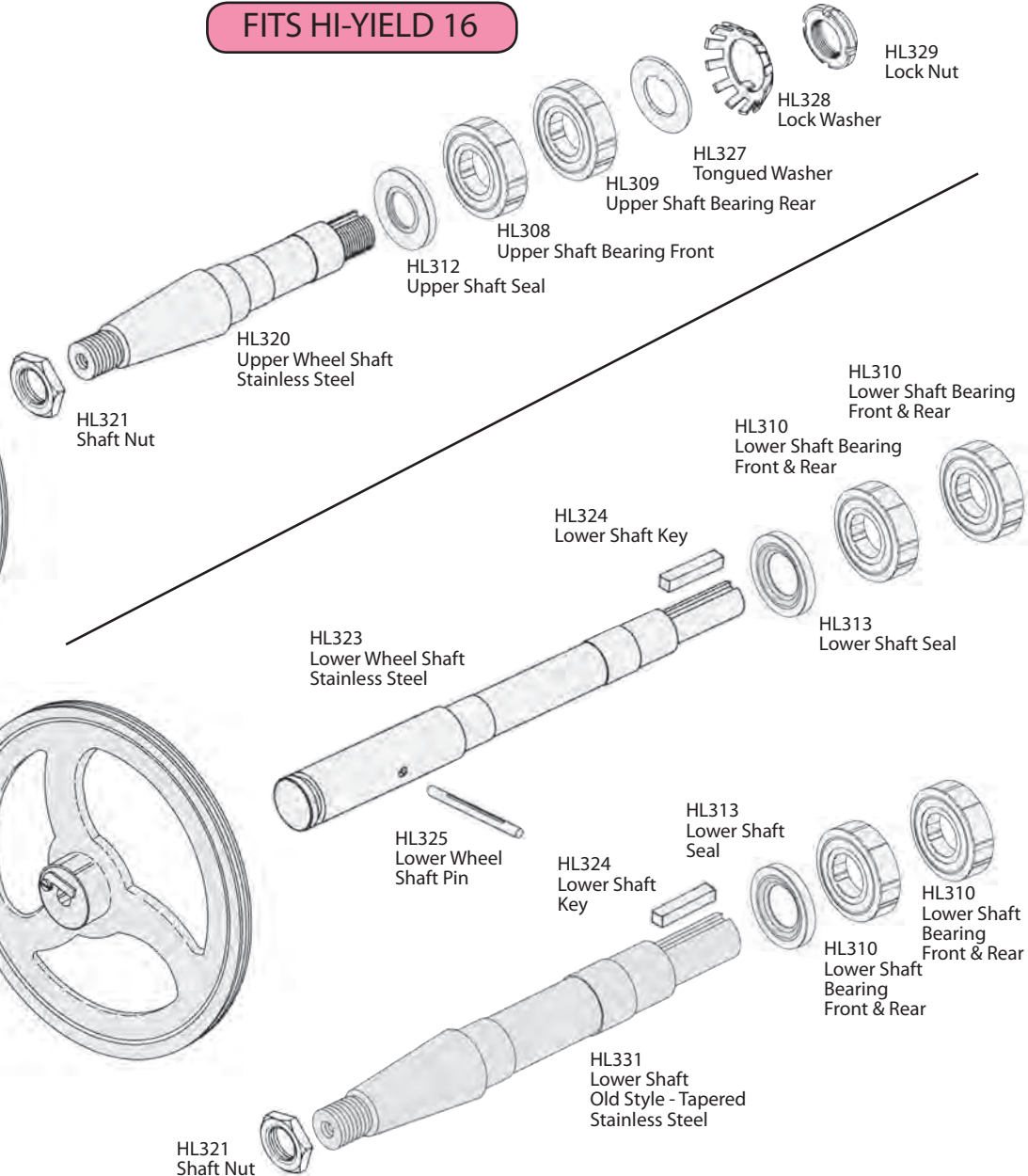
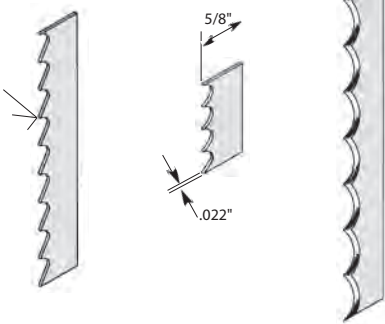
HL326L
Lower Saw Wheel
-Straight Shaft Hole
-16" Dia
Includes Wheel Lock Lever



HL332 Frost Catch
HL333 Wheel Lock Lever
HL334 Lock Lever Stud

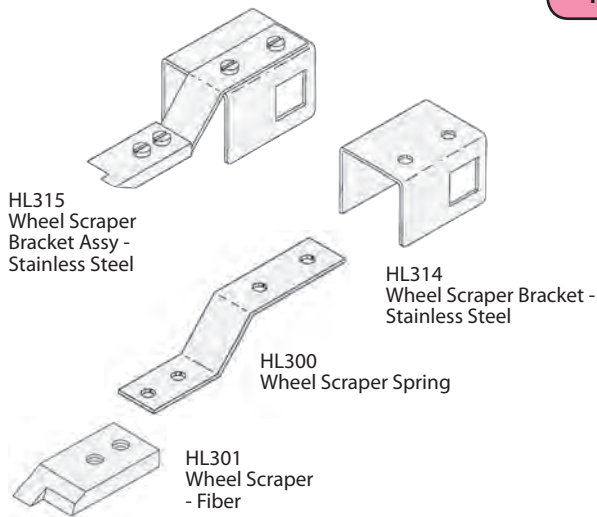
Don't forget your band saw blades, pages 60 and 61

Bone-In: SB126
Boneless: BK126



			FITS
NBS P/N	OEM P/N	DESCRIPTION	HI-YIELD 16
HL308	680-2032	Upper Shaft Bearing-Front	X
HL309	680-2034	Upper Shaft Bearing-Rear	X
HL310	680-2036	Lower Shaft Bearing-Front & Rear	X
HL312	680-2031	Upper Shaft Seal	X
HL313	680-1110	Lower Shaft Seal	X
HL320	680-1116	Upper Wheel Shaft	X
HL321	74000-8240	Shaft Nut	X
HL322U	680-1163	Upper / Lower Saw Wheel -Tapered Shaft Hole	X
HL323	680-2203	Lower Wheel Shaft	X
HL324	480-0630	Lower Shaft Key	X
HL325	680-1159	Lower Wheel Shaft Pin	X
HL326L	680-1165	Lower Saw Wheel -Straight Shaft Hole	X
HL327	680-1321	Tongued Washer	X
HL328	680-1224	Lock Washer	X
HL329	680-1223	Lock Nut	X
HL331	680-2025	Lower Shaft Old Style	X
HL332	680-2218	Frost Catch	X
HL333	680-2204	Wheel Lock Lever	X
HL334	680-2214	Lock Lever Stud	X

FITS HI-YIELD 16

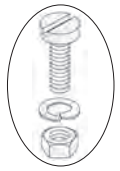


HL315
Wheel Scraper
Bracket Assy -
Stainless Steel

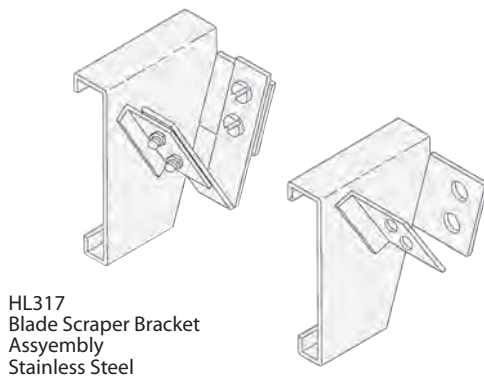
HL314
Wheel Scraper Bracket -
Stainless Steel

HL300
Wheel Scraper Spring

HL301
Wheel Scraper
- Fiber



HL303
Wheel Scraper Assembly
Hardware. 4 Screws, 2
Washers & 2 Nuts
Stainless Steel

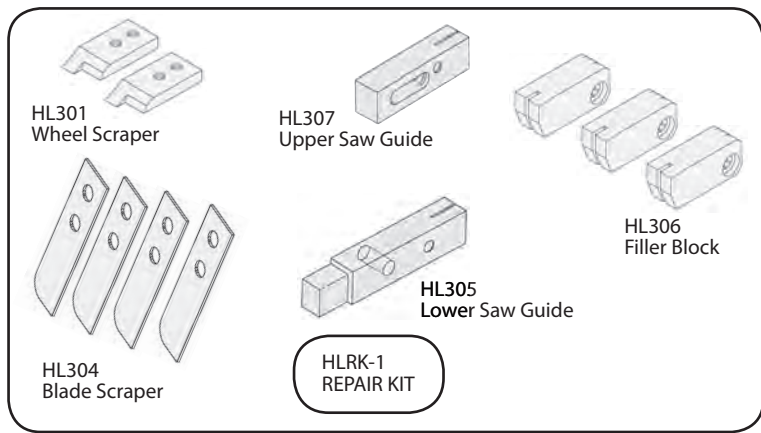


HL317
Blade Scraper Bracket
Assembly
Stainless Steel

HL316
Blade Scraper Bracket -
Stainless Steel



HL304
Blade Scraper



HL301
Wheel Scraper

HL307
Upper Saw Guide

HL306
Filler Block

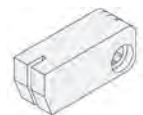
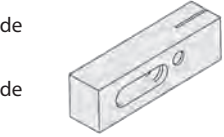
HL305
Lower Saw Guide

HLRK-1
REPAIR KIT

HL304
Blade Scraper

HL307
Upper Saw Guide

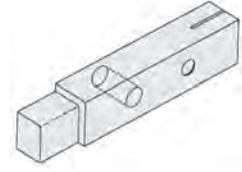
HL335
Upper Saw Guide
Stainless Steel



HL306
Filler Block
- Nylon

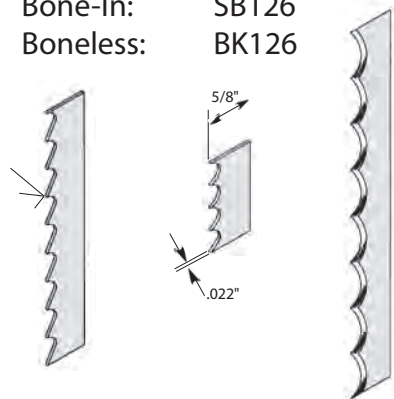
HL305
Lower Saw Guide
1/4-28 Thread O/S

HL336
Lower Saw Guide
1/4-28 Thread O/S
Stainless Steel



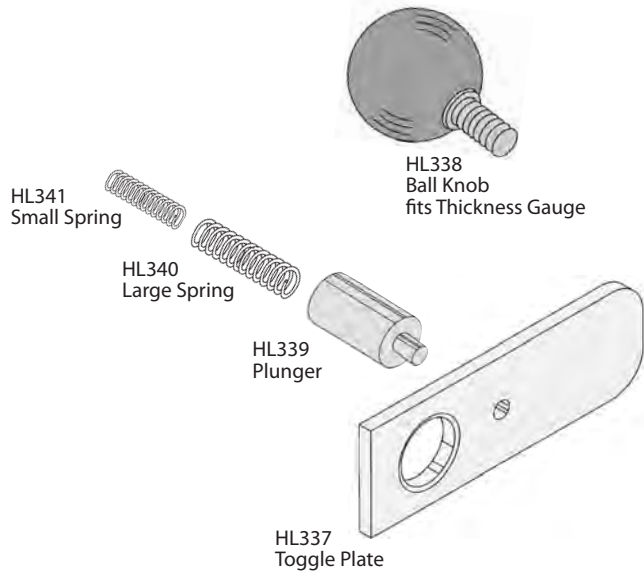
Don't forget your band saw blades, page 134

Bone-In: SB126
Boneless: BK126

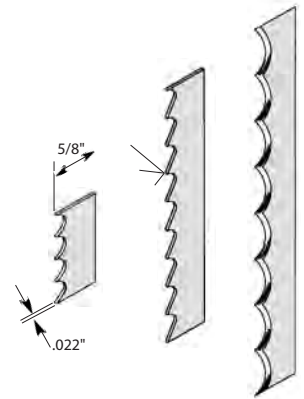


FITS			
NBS P/N	OEM P/N	DESCRIPTION	HI-YIELD 16
HLRK-1	N/A	Repair Kit	X
HL300	680-1155	Wheel Scraper Spring	X
HL301	680-1156	Wheel Scraper - Fiber	X
HL303	713031640	Wheel Scraper Assy, Screws, Washers & Nuts Stainless	X
HL304	680-1067	Blade Scraper	X
HL305	680-2027	Lower Saw Guide	X
HL306	680-1081	Filler Block - Nylon	X
HL307	680-1041	Upper Saw Guide	X
HL314	680-2081	Wheel Scraper Bracket - Stainless Steel	X
HL315	680-2088	Wheel Scraper Bracket - Assembly	X
HL316	680-2126	Blade Scraper Bracket - Stainless Steel	X
HL317	680-2125	Blade Scraper Bracket - Assembly	X
HL335	680-1041	Upper Saw Guide - Stainless Steel	X
HL336	680-1047	Lower Saw Guide - Stainless Steel	X

FITS HI-YIELD 16



Don't forget your saw blades. The SB126 for Bone-In or the BK126 for boneless cutting.
Hollymatic Hi Yield 16..... 126"

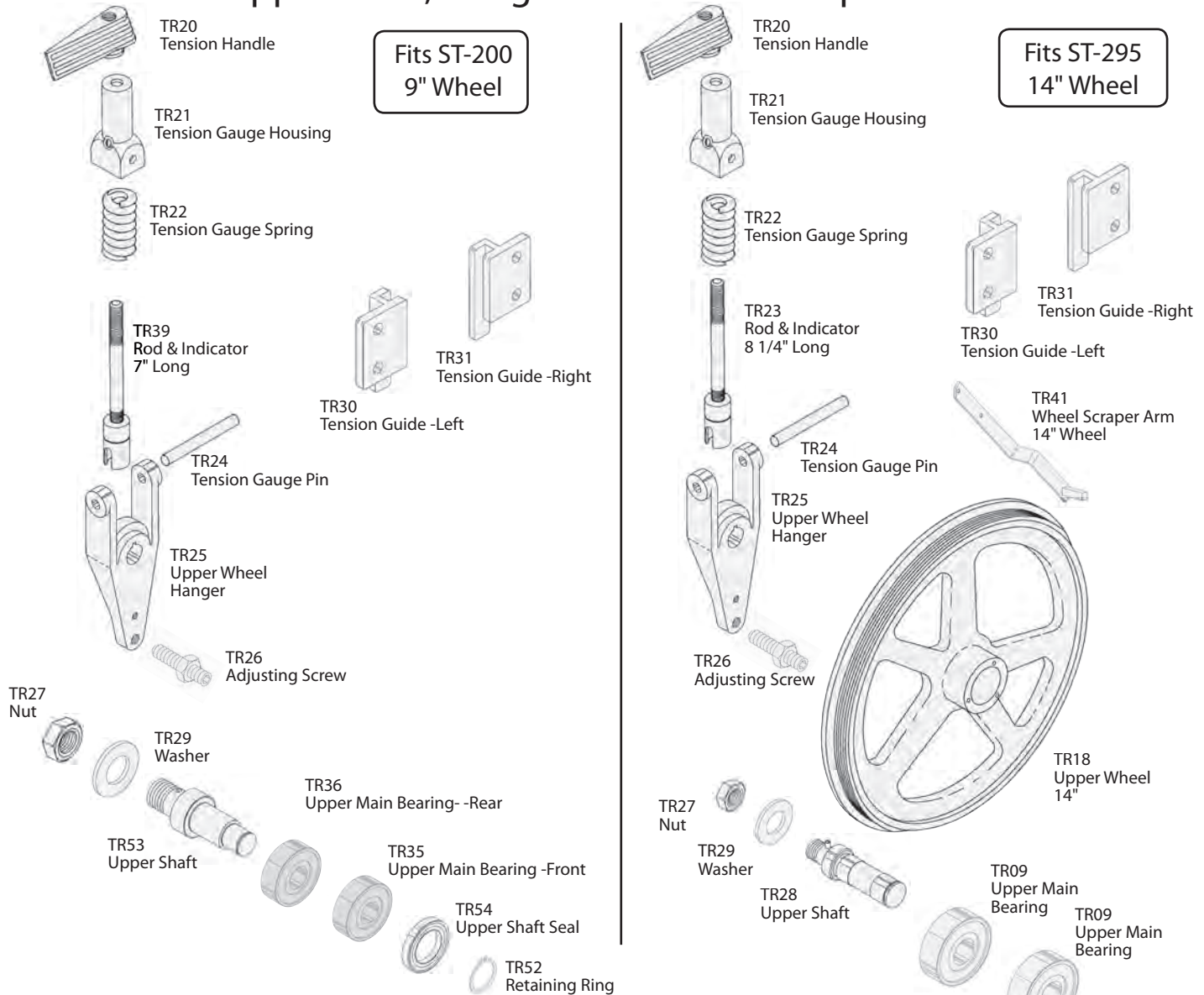


FITS

NBS P/N	OEM P/N	DESCRIPTION	HI-YIELD 16
HL311	680-2017	Guide Rod Lock Knob	X
HL318	6802148	Table Roller	X
HL330	680-1379	On-Off Push Knob Red	X
HL337	680-1082	Toggle Plate	X
HL338	680-1083	Ball Knob	X
HL339	680-1084	Plunger	X
HL340	580-5018	Large Spring	X
HL341	580-5019	Small Spring	X

HOLLYMATIC SAW

Upper Shaft, Hanger and Wheel Components



Fits ST-200
9" Wheel

Fits ST-295
14" Wheel

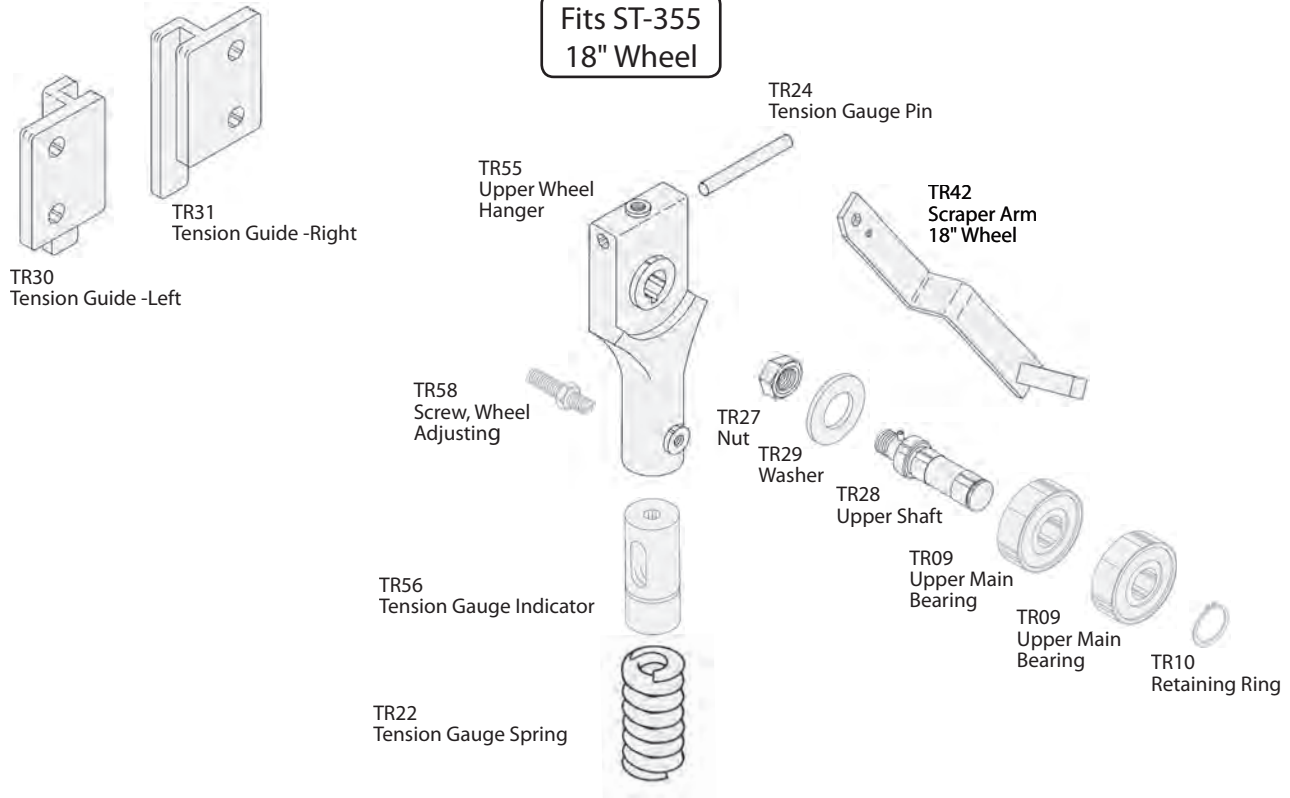
TORREY

FITS MODELS

NBS P/N	OEM P/N	DESCRIPTION	ST-200	ST-295
TR09	500185	Upper Main Bearing		X
TR10	500282	Retaining Ring		X
TR18	571540	Upper Wheel		X
TR20	571869	Tension Handle	X	X
TR21	571534	Tension Gauge Housing	X	X
TR22	500290	Tension Gauge Spring	X	X
TR23	571535	Rod & Indicator 8 1/4" Long		X
TR24	570656	Tension Gauge Pin	X	X
TR25	571536	Upper Wheel Hanger		X
TR26	571873	Adjusting Screw	X	X
TR27	570419	Nut	X	X
TR28	571825	Upper Shaft		X
TR29		Washer	X	X
TR30	571823	Tension Guide Left	X	X
TR31	571823	Tension Guide Right	X	X
TR35	500183	Upper Main Bearing - Front	X	
TR36	500184	Upper Main Bearing - Rear	X	
TR39	572253	Rod & Indicator 7" Long	X	
TR41	572679	Wheel Scraper Arm		X
TR52	501062	Retaining Ring	X	
TR53	572599	Upper Shaft	X	
TR54	572348	Upper Shaft Seal	X	

Upper Shaft and Hanger Components for ST-355

Fits ST-355
18" Wheel

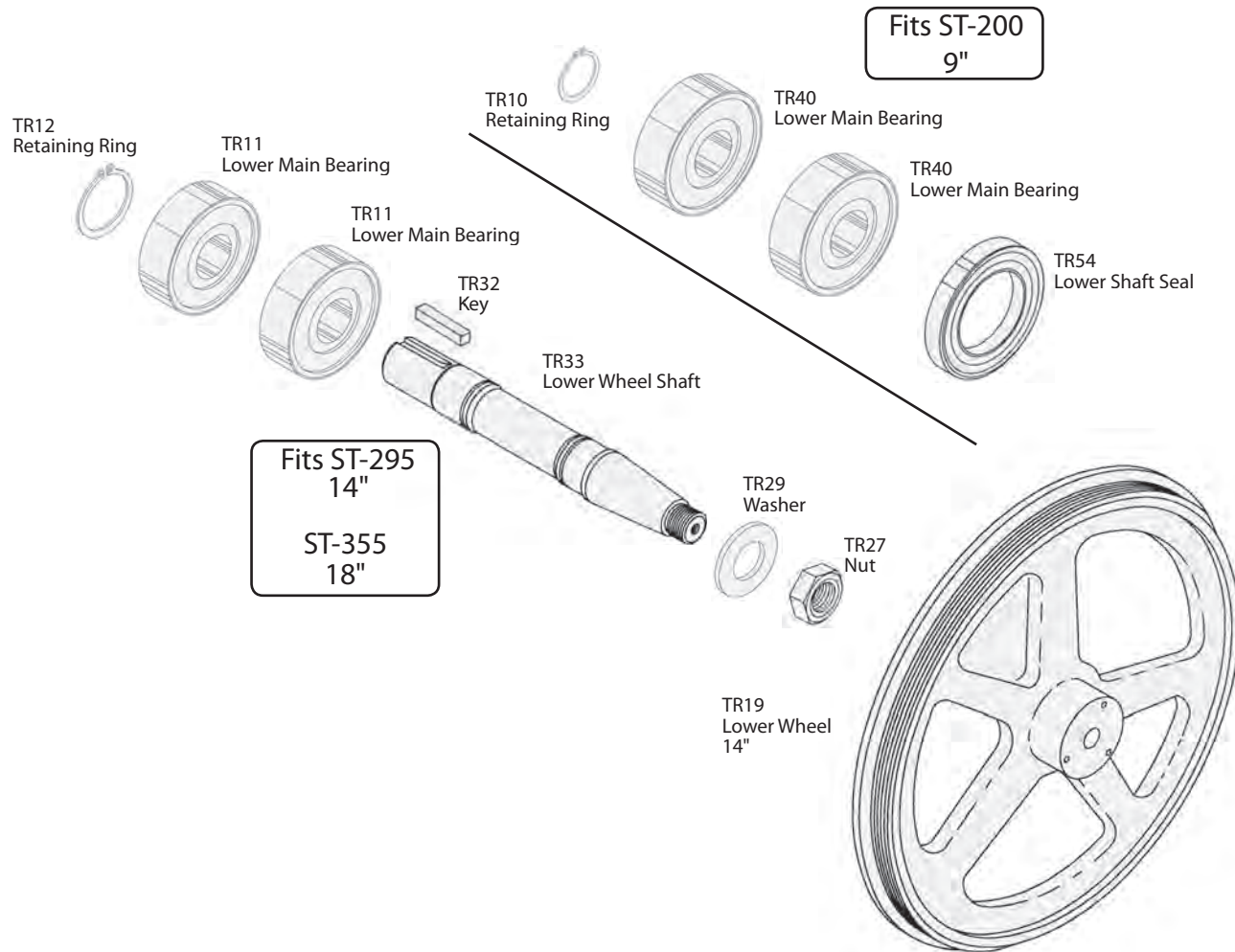


FITS MODELS

NBS P/N	OEM P/N	DESCRIPTION	ST-355
TR09	500185	Upper Main Bearing	X
TR10	500282	Retaining Ring	X
TR22	500290	Tension Gauge Spring	X
TR24	570656	Tension Gauge Pin	X
TR27	570419	Nut	X
TR28	571825	Upper Shaft	X
TR29		Washer	X
TR30	571823	Tension Guide Left	X
TR31	571823	Tension Guide Right	X
TR42	572962	Scraper Arm 18"	X
TR55	571857	Upper Wheel Hanger	X
TR56	570290	Tension Gauge Indicator	X
TR58	571858	Wheel Adjusting Screw	X

TORREY

Lower Shaft Components and Wheel



Fits ST-200
9"

Fits ST-295
14"
ST-355
18"

Don't forget your saw blades. SB116 for 116" or SB120 for 120" for Bone-In cutting. The BK116 or BK120 for Boneless

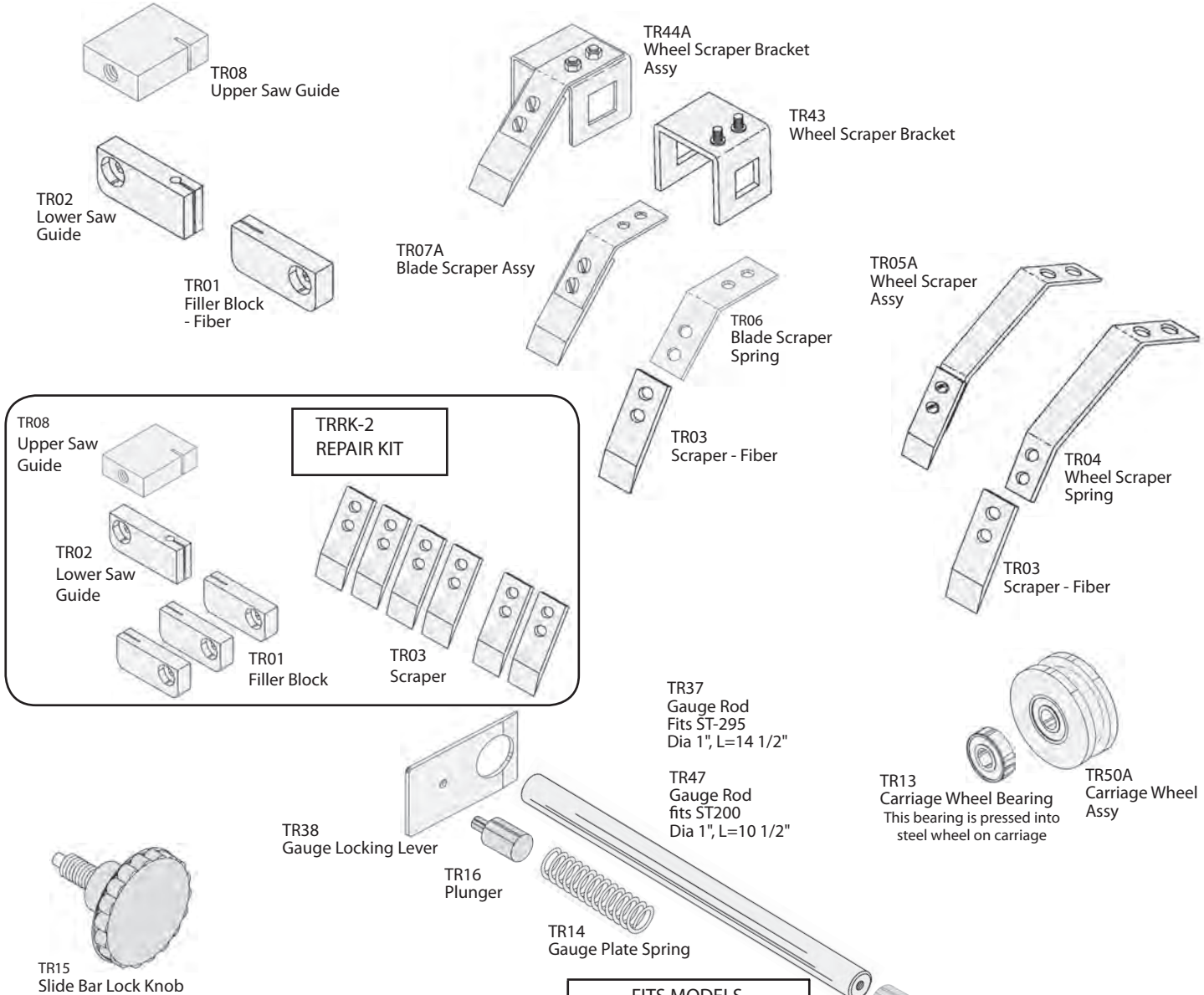
Torrey 200.....78"
Torrey ST-295.....116"
Torrey ST-305.....120"

FITS MODELS

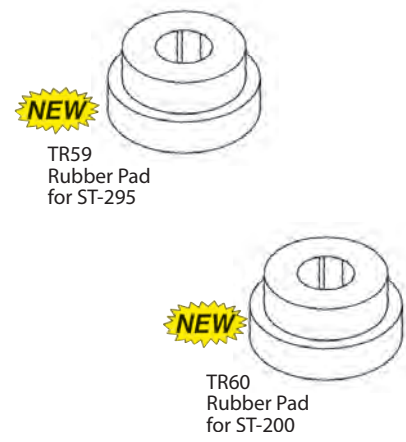
NBS P/N	OEM P/N	DESCRIPTION	ST-200	ST-295	ST-355
TR10	500282	Retaining Ring	X		
TR11	500186	Lower Main Bearing		X	X
TR12	500283	Retaining Ring		X	X
TR19	571542	Lower Wheel		X	
TR27	500419	Nut		X	X
TR29		Washer		X	X
TR32	572314	Key		X	X
TR33	571832	Lower Wheel Shaft		X	X
TR40	500185	Lower Main Bearing	X		
TR54	501348	Lower Shaft Seal	X		



TORREY



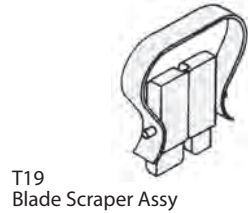
NBS P/N	OEM P/N	DESCRIPTION	FITS MODELS		
			ST-200	ST-295	ST-355
TR01	570140	Filler Block - Fiber	X	X	X
TR02	570512	Lower Saw Guide	X	X	X
TR03	N/A	Scraper - Fiber		X	
TR04	N/A	Wheel Scraper Spring		X	
TR05A	572681	Wheel Scraper Assy		X	
TR06	N/A	Blade Scraper Spring		X	
TR07A	N/A	Blade Scraper Assy		X	
TR08	570835	Upper Saw Guide	X	X	X
TR13	N/A	Carriage Wheel Bearing		X	X
TR14	N/A	Gauge Plate Spring		X	
TR15	571295	Slide Bar Lock Knob		X	
TR16	N/A	Plunger		X	
TR17	N/A	Gauge Plate Bushing		X	
TR37	571886	Gauge Plate Rod		X	
TR38	N/A	Gauge Locking Lever		X	
TR43	572680	Wheel Scraper Bracket		X	X
TR44A	572680	Wheel Scraper Bracket Assy		X	X
TR47	572619	Gauge Rod 10 1/2"	X		
TR50A	573165	Carriage Wheel Assy		X	X
TR59	500837	Rubber Pad (Black Rubber)		X	
TR60	500333	Rubber Pad (Black Rubber)	X		
TRRK2	N/A	Repair Kit	X	X	X



 **AVAILABLE WHILE SUPPLIES LAST**
Extremely Low Quantities



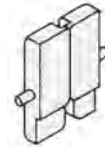
T53
Upper & Lower Wheel
Model 5300 - 126" Blade
16" Diameter



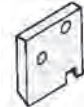
T19
Blade Scraper Assy



T17
Blade Scraper Spring



T18
Blade Scraper - SET ONLY



T09
Wheel Cleaner



T04
Wheel Cleaner

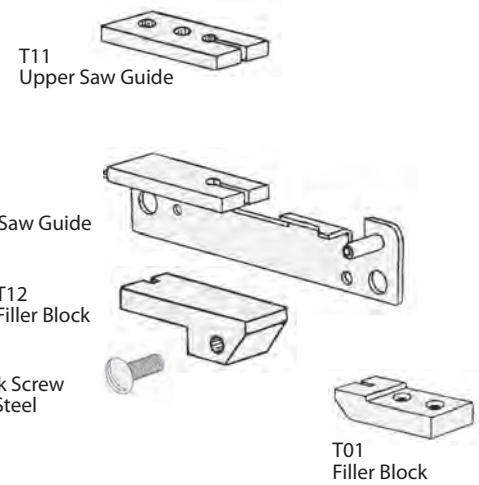
FITS MODELS

NBS P/N	OEM P/N	DESCRIPTION	5200	5201	5206	5300
T04	41406	Wheel Cleaner	X	X		
T09	42465	Wheel Cleaner			X	X
T17	42457	Blade Scraper Spring			X	X
T18	42455	Blade Scraper - SET ONLY			X	X
T19		Blade Scraper Assembly			X	X
T53	42026	Upper or Lower Wheel Model 5300 - 126" Blade				X

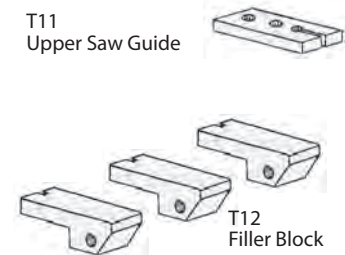
TOLEDO

TOLEDO

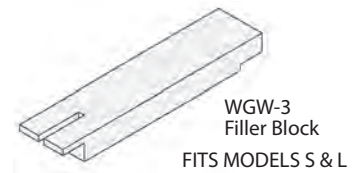
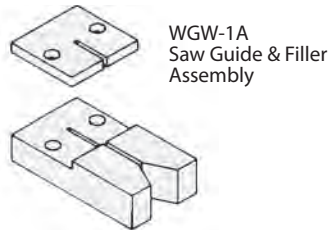
NBS P/N	OEM P/N	DESCRIPTION	FITS MODELS			
			5200	5201	5206	5300
TSGB	44976	Saw Guide Bearing	X	X	X	X
T01	40313	Filler Block	X			
T10	42051	Lower Saw Guide		X	X	X
T11	42038	Upper Saw Guide		X	X	X
T12	45883	Filler Block		X	X	X
T34	R-1236	Filler Block Screw		X	X	X



TRK-1
Toledo Repair Kit
Models 5201, 5206 & 5300










WELLS
Wells / Jarvis Buster
P-760 or HD080






NBS P/N	OEM P/N	DESCRIPTION
WGW-1A	N/A	Saw Guide & Filler Assembly
WGW-2	1026044 (6307 5/8)	Pinion Gear 5/8"
WGW-3		Filler Block

SLICER KNIVES and STONE SETS

BERKEL KNIVES and MATCHING STONE SETS

FITS:	SLICER KNIFE	STONE SET
FITS... 807 808 817 818 909 919 2340 2350	BSK-1 Stainless 12 1/2" Diameter Single center mounting hole	 BST-1 Sharpening and Truing Stones
FITS... 3340 3350	BSK-3 Stainless Steel 12 1/2" Dia 3 Hole	 BST-6 Sharpening and Truing Stones
FITS... X13	BSK-4 Stainless Steel 13" Diameter	 BST-9 Sharpening and Truing Stones
FITS... 829 829E	BSK-5 Hard Chrome 14" Diameter 4 Holes	 BST8 Sharpening and Truing Stones
FITS... 827 827A	USK-1 Stainless Steel 12" Diameter 4 Holes	 BST-7 Sharpening and Truing Stones
FITS.... 825 825A 825E	USK-2 Hard Chrome 10" Diameter 3 Holes	 BST-7 Sharpening and Truing Stones
FITS... 827E	USK-3 Hard Chrome 12" Diameter 3 Holes	 BST-7 Sharpening and Truing Stones

BIZERBA KNIVES and MATCHING STONE SETS

FITS:	SLICER KNIFE	STONE SET
FITS... SE8 SE8L SG8D VS8 VS8D VS8F	Pre 1994 Models BZK-3 Knife, 3 Hole 13" Diameter Stainless Steel 3 Holes	 BZST-1 Sharpening and Truing Stones
FITS... A330 A400 GSP-HD GSP-H33 GSP-V SE12 G13 SE355 SE128 A330FB	AFTER 1994: SE8 SE12 SG8D VS8 VS8D VS12	 BZK-4 Knife, 4 Hole 13" Diameter Stainless Steel 4 Holes BZST-1 Sharpening and Truing Stones
FITS... G12 GSG-12 GSG-12A 300B A301 SE255	USK-1 Knife, 4 Hole 12" Diameter Stainless Steel	



BT036
Safety Glove
Cloth w/ Steel Wire
This glove is ambidextrous...
fits right or left hand

Use this Glove anytime handling sharp slicer, grinder or tenderizer knives and band saw blades.

UNIVEX KNIVES










UVK-1 Knife, 3 Hole 10" Diameter Hard Chrome	UVK-2 Knife, 3 Hole 12" Diameter Hard Chrome	USK-1 Knife, 4 Hole 12" Diameter Stainless Steel	USK-2 Hard Chrome 10" Diameter 3 Holes
FITS... 7510	FITS... 7512	FITS... 812 6512 9512	FITS... 4510 8510

Sorry we do not have stones available for Univex





SLICER KNIVES
and Matching Stone

SLICER KNIVES and STONE SETS


GLOBE KNIVES and MATCHING STONE SETS

FITS:	SLICER KNIFE	STONE SET
FITS... 3600 3850 3975	GSK-1 Fits Solid Knife Hub 11 1/2" Diameter (Stainless Steel - Hollow Ground) 3 Holes	 GST-1 Sharpening and Truing Stones
Fits... 285 300 400 500 685 715 720 725 765 770 775 815 820 825 2500 2750 2850V 2875V	GSK-3 Fits Solid Knife Hub 11 1/2" Diameter (Stainless Steel - Hollow Ground) 6 Holes	 GST-1 Sharpening and Truing Stones
FITS... 75 150 510 610 660 710 760	GSK-4 Fits Ring Hub 11 7/16" Dia 12 Holes	 GST-1 Sharpening and Truing Stones
FITS... 3600P 3850P 3975P 4600P 4975P	GSK-5 13" Diameter (Stainless Steel Hollow Ground) 3 Holes	 GST-1 Sharpening and Truing Stones
FITS... Chefmate GC9	GSK-6 9" Diameter (Hard Chrome) 3 Holes	 GST-2 Sharpening and Truing Stones
FITS... Chefmate G10, GC10	GSK-7 10" Diameter (Hard Chrome) 3 Holes	 GST-2 Sharpening and Truing Stones
FITS... Chefmate GC12, G12D	GSK-8 12" Diameter (Hard Chrome) 3 Holes	 GST-2 Sharpening and Truing Stones

HOBART KNIVES and MATCHING STONE SETS

FITS:	SLICER KNIFE	STONE SET
Fits... 512 1612 1712	HSK-1 11 3/4" Diameter Stainless Steel	 HST-1 Sharpening/Truing Set, Fits: 512, 1612, 1712
Fits... 1612E 1712E 1812 1912	HSK-1 11 3/4" Diameter Stainless Steel	 HST-2 Grinding Stone Fits: 1612E, 1712E, 1812, 1912 HST-3 Truing Stone Fits: 1612E, 1712E, 1812, 1912
Fits... 2612, 2712 2812 2912	HSK-1 11 3/4" Diameter Stainless Steel	 HST-4 Truing Stone Fits: 2612, 2712 2812, 2912 HST-5 Sharpening Stone Fits: 2612, 2712, 2812, 2912
Fits... 512	HSK-3 11 3/4" Diameter Stainless Steel 3 Holes	 HST-1 Grinding and Truing stone set
Fits... EDGE	HSK-4 12" Diameter Stainless Steel 3 Holes	
Fits... EDGE 12	HSK-5 12" Diameter Stainless Steel 4 Holes	
Fits... HS6N, HS7N, HS8N HS9N HS3613 HS3813	HSK-6 13" Diameter Stainless Steel	Fits... HS6N, HS7N, HS8N HS9N HS3613N HS3813N HSK-N 13" Diameter Stainless Steel 4 Holes

ANVIL, FLEETWOOD, GENERAL, INTEDGE, MANCONI KOLOSSAL, OMAS, AND VOLLRATH

	USK-1 Knife, 4 Hole 12" Diameter Stainless Steel	FITS... FLEETWOOD 312, 412, 1312, 1412, BF300, 312E, A300	FITS... MANCONI KOLOSSAL 300	FITS... OMAS C300
	USK-2 Hard Chrome 10" Diameter 3 Holes	FITS... FLEETWOOD 250AS 265	FITS... INTEDGE UL-10	
	USK-3 Hard Chrome 12" Diameter 3 Holes	FITS... GENERAL SM-12A VOLLRATH 12" ANVIL 12"		

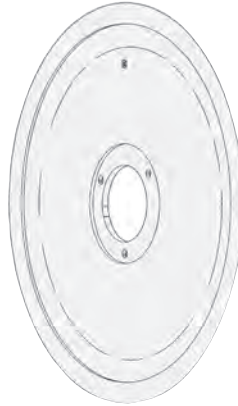
SLICER KNIVES
and Matching Stone

Slicer Knives



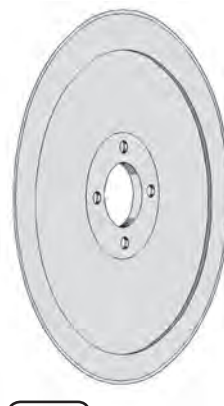
FITS...
807
808
817
818
909
919
2340
2350

BSK-1
Stainless Steel
12 1/2" Diameter



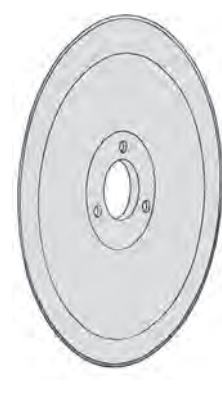
FITS...
3340
3350

BSK-3
Stainless Steel
12 1/2" Diameter



FITS...
829
829E

BSK-5
Hard Chrome
14" Diameter

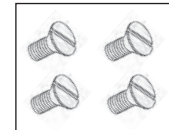


FITS...
825
825A
825E

USK-2
Hard Chrome
10" Diameter

FITS...
827
827A

USK-1
Stainless Steel
12" Diameter



US181
Screw, Knife **NEW**
Mounting 4/pkg
823, 825, 827, 827a

See Pages:
149 and 151 for Sharpener Assemblies
and Components

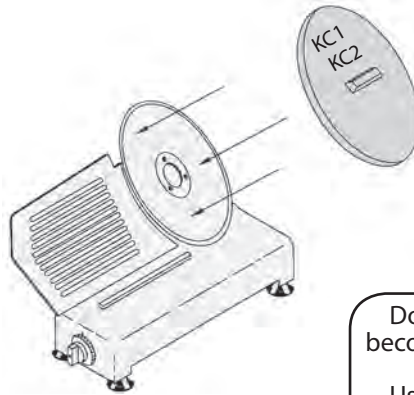
FITS...
150
170
DFE
E
F
GS
S
SS

BSK-2
Stainless Steel
14 1/2" Diameter

FITS...
X13

BSK-4
Stainless Steel
13" Diameter

Slicer Safety Covers



KC1
Knife Safety Cover
(Plastic) (NBS Lip design)
11" & 12" Slicer Knives

KC2
Knife Safety Cover
(Plastic) (NBS Lip design)
12 1/2" Slicer Knives



BT036
Safety Glove
Cloth w/ Steel Wire
This glove is ambidextrous...
fits right or left hand

Don't let the exposed razor-sharp slicer knife
become a hazard for the slicer operator.

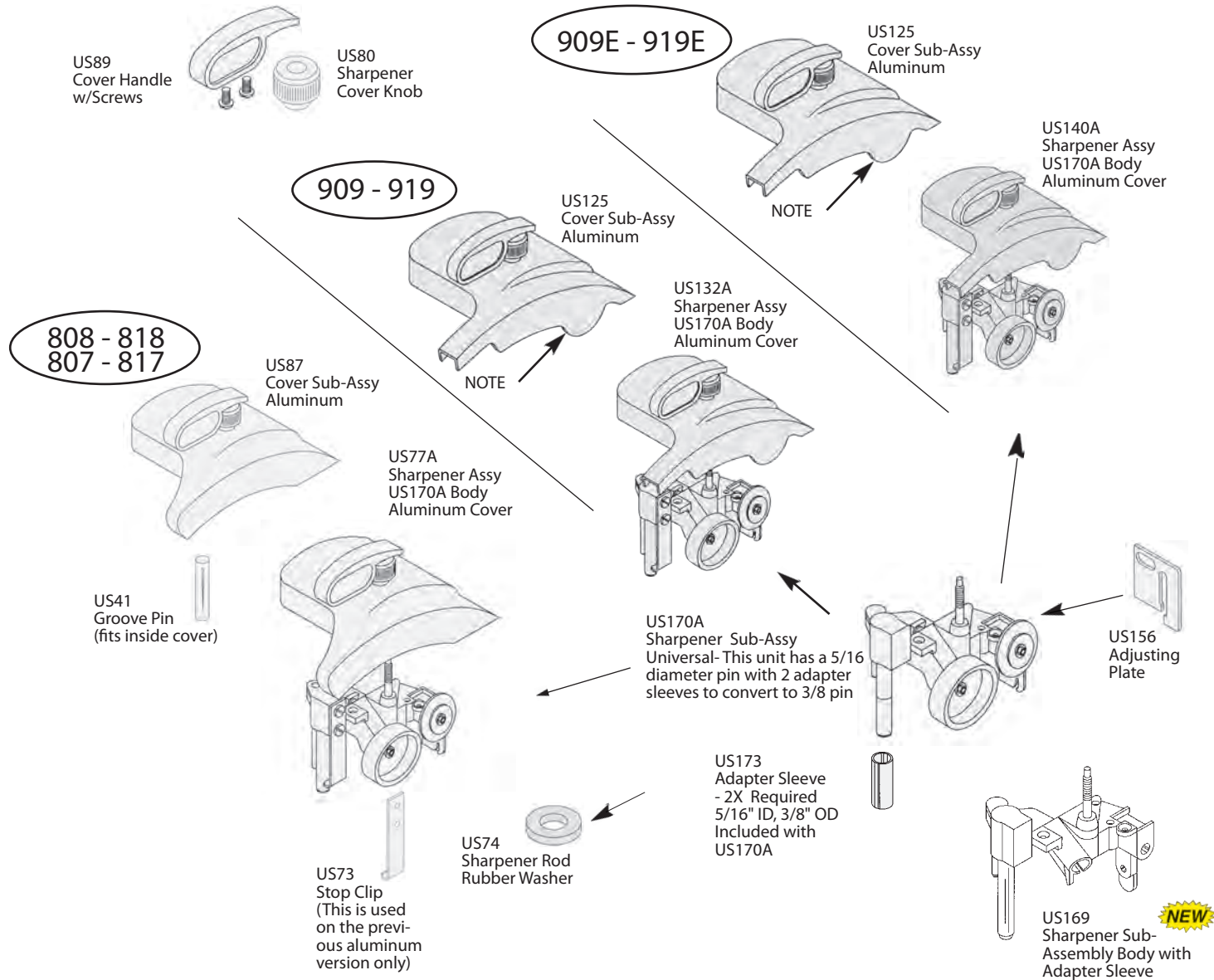
Use the KC1 or KC2 safety covers to save
FINGERS and \$\$\$\$\$.

FITS MODELS

NBS P/N	OEM P/N	DESCRIPTION	180	805	806	807	808	817	818	825, A, E	827, A	829, E	909	910	915	919	DFE	E	F	H	GB	GC	GR	GS	S	SS	X13	2340	2350	3340	3350					
BSK-1	3675-0070	Slicer Knife, SS				X	X	X	X				X			X												X	X							
BSK-2	S-3005-1	Slicer Knife, SS															X	X	X					X	X	X										
BSK-3	3633-5024	Slicer Knife, SS																						X	X											
BSK-4	4033375-01269	Slicer Knife, SS																								X										
BSK-5	3501-09447	Slicer Knife, CHROME										X																								
USK-1	827-00073	Slicer Knife, SS									X																									
USK-2	825-00073	Slicer Knife, CHROME								X																										
US181	N/A	Knife, Mounting Screw	4/pkg fits...823							X	X																									
KC1	N/A	Knife Safety Cover	CAN BE USED ON MOST MANUFACTURERS SLICING MACHINES																																	
KC2	N/A	Knife Safety Cover	CAN BE USED ON MOST MANUFACTURERS SLICING MACHINES																																	

BERKEL

UNIVERSAL SHARPENER SUB ASSEMBLY WITH ALUMINUM COVER



FITS MODELS

NBS P/N	OEM P/N	DESCRIPTION	807	808	817	818	909	919	2340	2350
US41	2275-0220	Groove Pin	X	X	X	X	X	X	X	X
US73	3201-3272	Stop Clip	X	X	X	X	X	X	X	X
US74	3275-0042	Sharpener Rod Rubber Washer	X	X	X	X	X	X	X	X
US77A	4675-0164	Sharpener Assy	X	X	X	X				
US80	834-0523	Sharpener Cover Knob	X	X	X	X	X	X	X	X
US87	4675-0164	Cover Sub-Assy	X	X	X	X				
US89	4301-3403	Cover Handle w/Screws	X	X	X	X	X	X	X	X
US125	3775-0395	Cover Sub-Assy					X E	X E		
US132A	4675-0818	Sharpener Assy					X	X	X	X
US140A	4675-1085	Sharpener Assy					E	E		
US156	3401-3802	Adjusting Plate	X	X	X	X	X E	X E		
US169	3875-0226	Sharpener Sub Assembly Body	X	X	X	X	X	X	X	X
US170A	4675-1081	Sharpener Sub-Assy	X	X	X	X	X	X	X	X
US173	3201-3272	Adapter Sleeve - 2x Required	X	X	X	X	X	X	X	X

X = FITS STANDARD MODELS

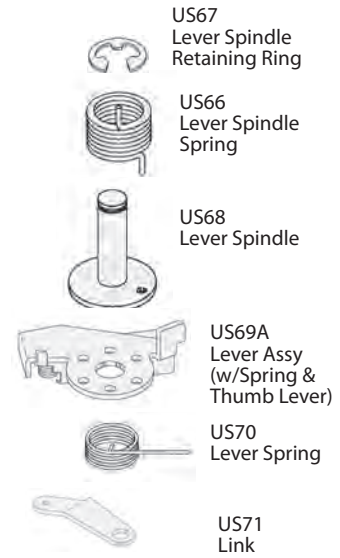
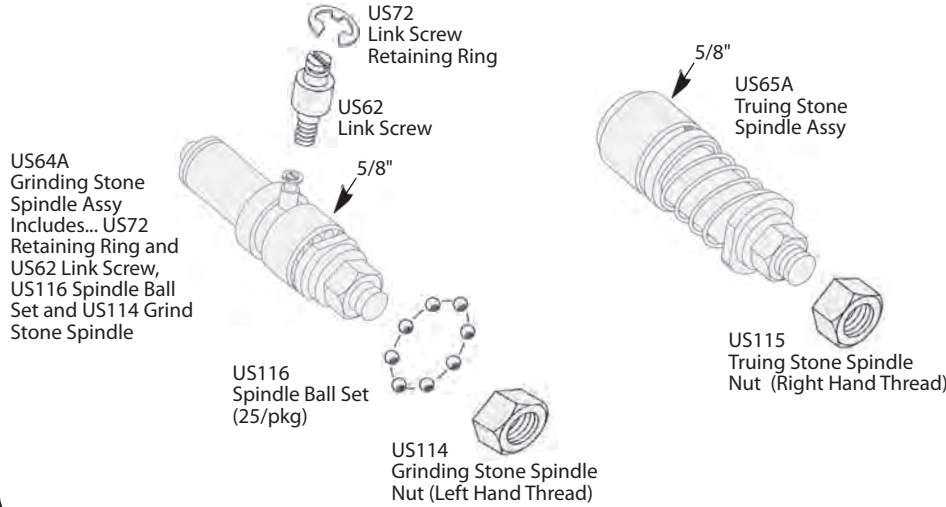
E = FITS E MODEL

BERKEL

SHARPENER INTERNAL COMPONENTS

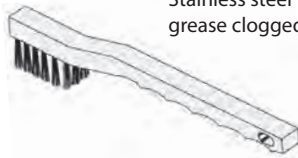
Fits Only Previous Aluminum Sub Assemblies US91, US139

The below Grinding and Truing spindle bodies will only fit the Aluminum US91.



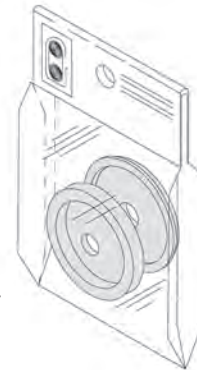
Stone Cleaning Brush

USX100
Stone Cleaning Brush
Stainless steel wire brush helps to clean grease clogged sharpening stones



SHARPENING STONES

BST-1
BST-3
BST-4
BST-6
BST-7
BST-8

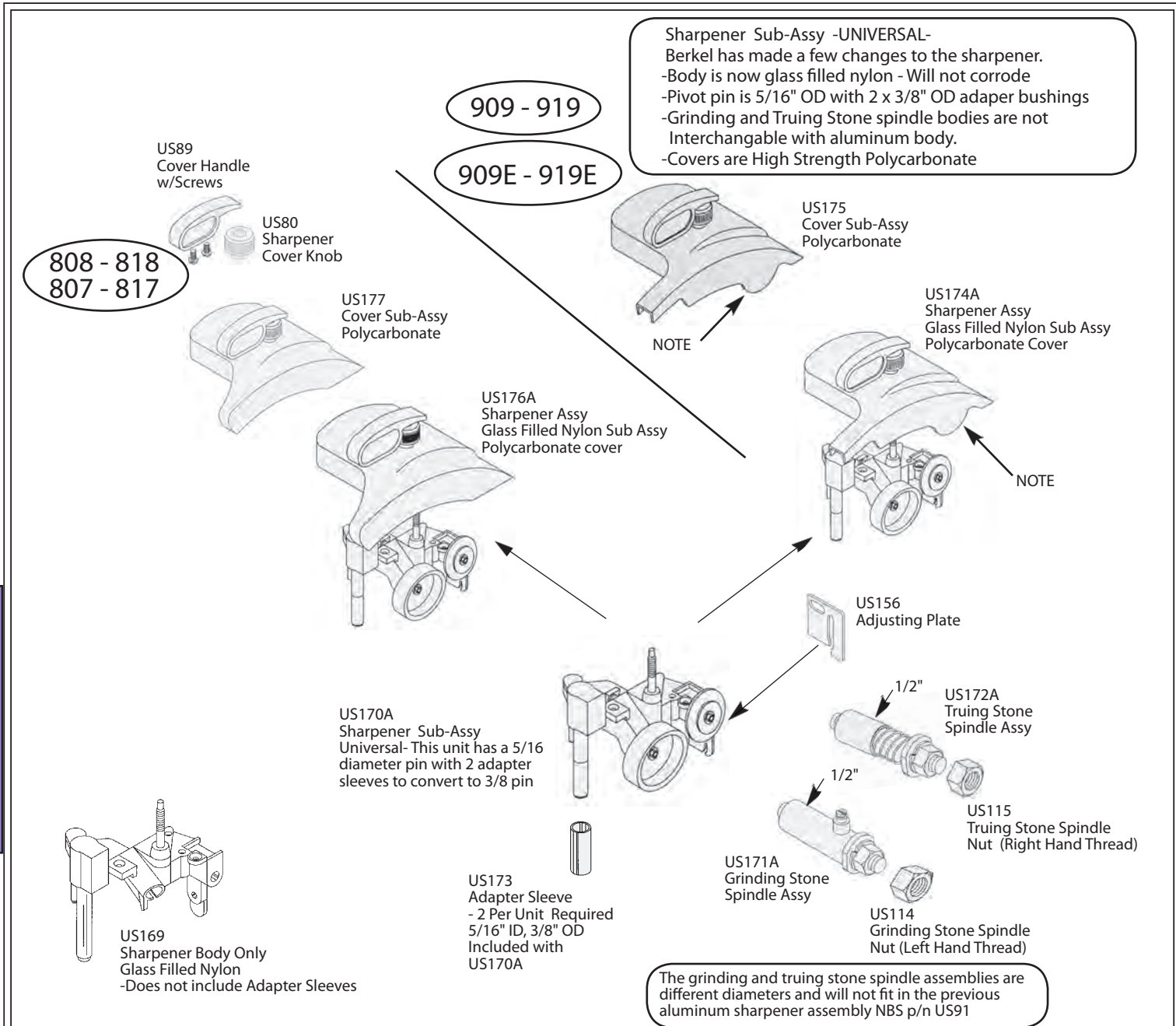


NOTE: All stones sets are packaged with 1 Grinding Stone and 1 Truing Stone unless otherwise noted.

FITS MODELS

NBS P/N	OEM P/N	DESCRIPTION	180	805	806	807	808	817	818	823	825	827	909	910	915	919	E	F	GB	GC	GR	2340	2350	3340	3350
BST-1	3675-0076	Sharpener Stones, Set				X	X	X	X				X									X	X		
BST-3	B9-00612	Sharpener Stones, Set	X											X	X		X	X							
BST-4	4748-3	Sharpener Stones, Set		X	X														X	X	X				
BST-6	3633-5020	Sharpener Stones, Set																						X	X
BST-7		Sharpener Stones, Set								X	X	X													
BST-8	829-408409	Sharpener Stones, Set Model 829																							
US62	834-5006	Link Screw				X	X	X	X				X			X						X	X		
US64A	M-0677	Grinding Stone Spindle Assy				X	X	X	X				X			X						X	X		
US65A	M-0611	Truing Stone Spindle Assy				X	X	X	X				X			X						X	X		
US66	VV-0686	Lever Spindle Spring				X	X	X	X				X			X						X	X		
US67	R-0741	Lever Spindle Retaining Ring				X	X	X	X				X			X						X	X		
US68	834-5013	Lever Spindle				X	X	X	X				X			X						X	X		
US69A	834G-5003	Lever Assy (w/Spring & Thumb Lever)				X	X	X	X				X			X						X	X		
US70	3301-3803	Lever Spring				X	X	X	X				X			X						X	X		
US71	W-0742	Link				X	X	X	X				X			X						X	X		
US72	R-0741	Link Screw Retaining Ring				X	X	X	X				X			X						X	X		
US114	M-0677	Grind Stone Spindle Nut -Each LH				X	X	X	X				X			X						X	X		
US115	M-0611	Truing Stone Spindle -Each RH				X	X	X	X				X			X						X	X		
US116	9241	Spindle Ball Set (25 /pkg)				X	X	X	X				X			X						X	X		
USX100		Stone Cleaning Brush																							

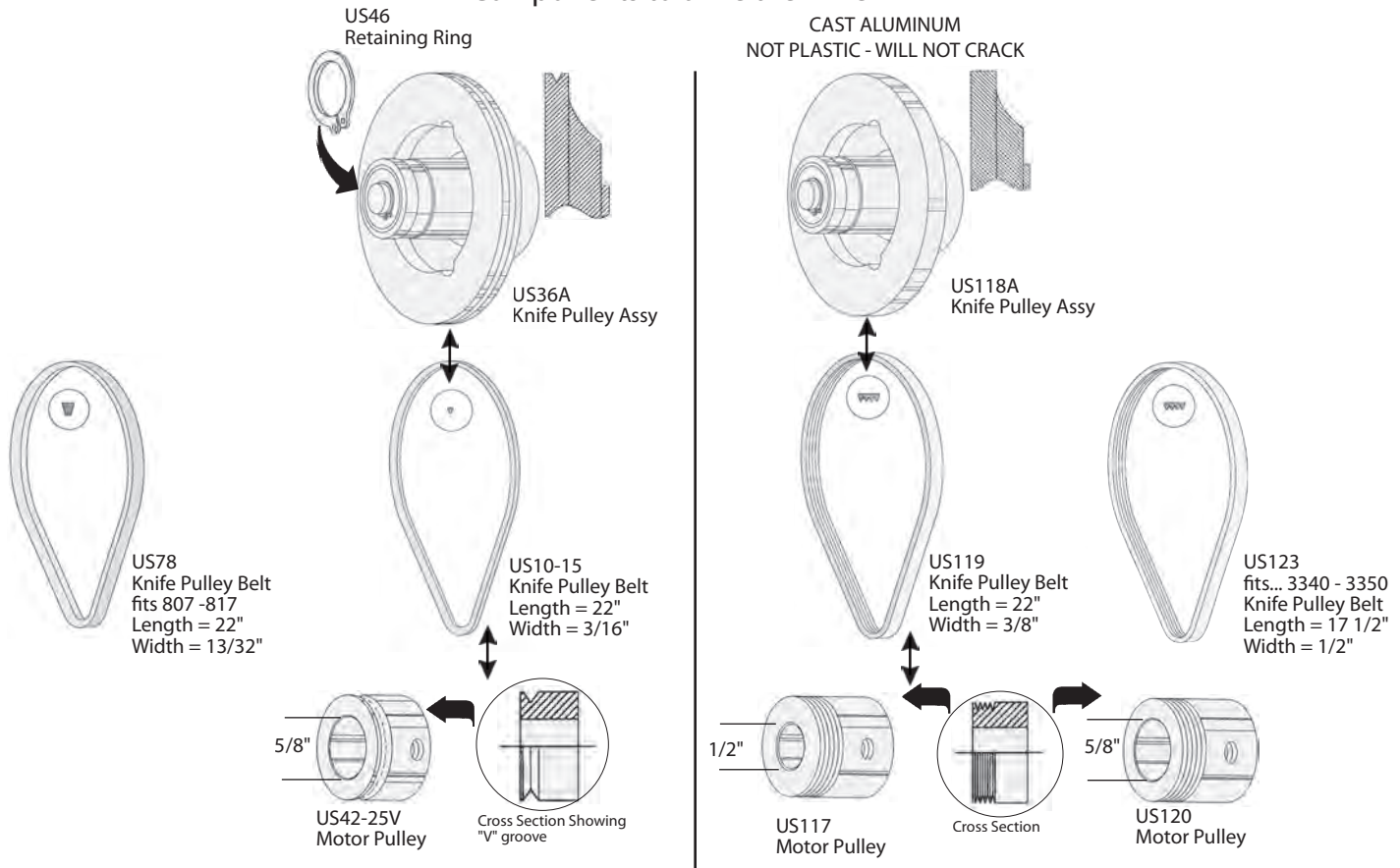
BERKEL



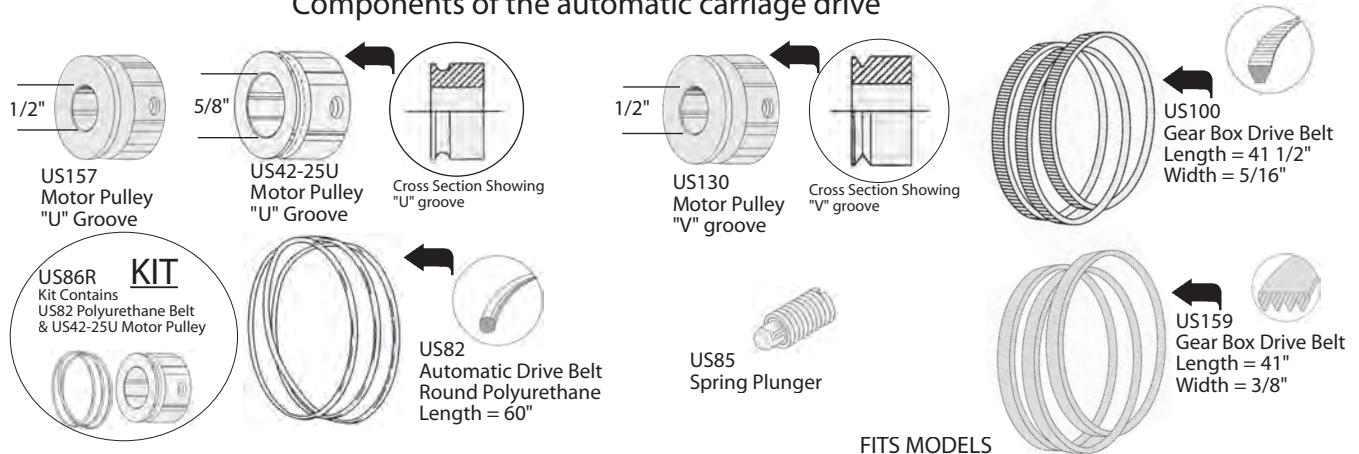
FITS MODELS

NBS P/N	OEM P/N	DESCRIPTION	807	808	817	818	909	919	2340	2350
US74	3275-0042	Sharpener Rod Rubber Washer	X	X	X	X	X	X	X	X
US80	834-0523	Sharpener Cover Knob	X	X	X	X	X	X	X	X
US89	4301-3403	Cover Handle w/Screws	X	X	X	X	X	X	X	X
US114	M-0677	Grind Stone Spindle Nut -Each	X	X	X	X	X	X	X	X
		<i>Left Hand Thread use with US171A</i>								
US115	M-0611	Truing Stone Spindle Nut -Each	X	X	X	X	X	X	X	X
		<i>Right Hand Thread use with US172A</i>								
US156	3401-3802	Adjusting Plate	X	X	X	X	XE	XE	X	X
US169	3875-0226	Sharpener Sub Assembly Body	X	X	X	X	X	X	X	X
US170A	4675-1081	Sharpener Sub-Assy	X	X	X	X	X	X	X	X
US171A		Grinding Stone Spindle Assembly	X	X	X	X	X	X	X	X
US172A		Truing Stone Spindle Assembly	X	X	X	X	X	X	X	X
US173	3201-3272	Adapter Sleeve - 2x Required	X	X	X	X	X	X	X	X
US174A	4675-1085	Sharpener Assy					X	X		
US175	4675-1084	Cover - Sub Assy- Polycarbonate					X	X		
US176A	4675-0164	Sharpener Assy	X	X	X	X				
US177	834-5009	Cover - Sub Assy- Polycarbonate	X	X	X	X				

Components to drive the knife



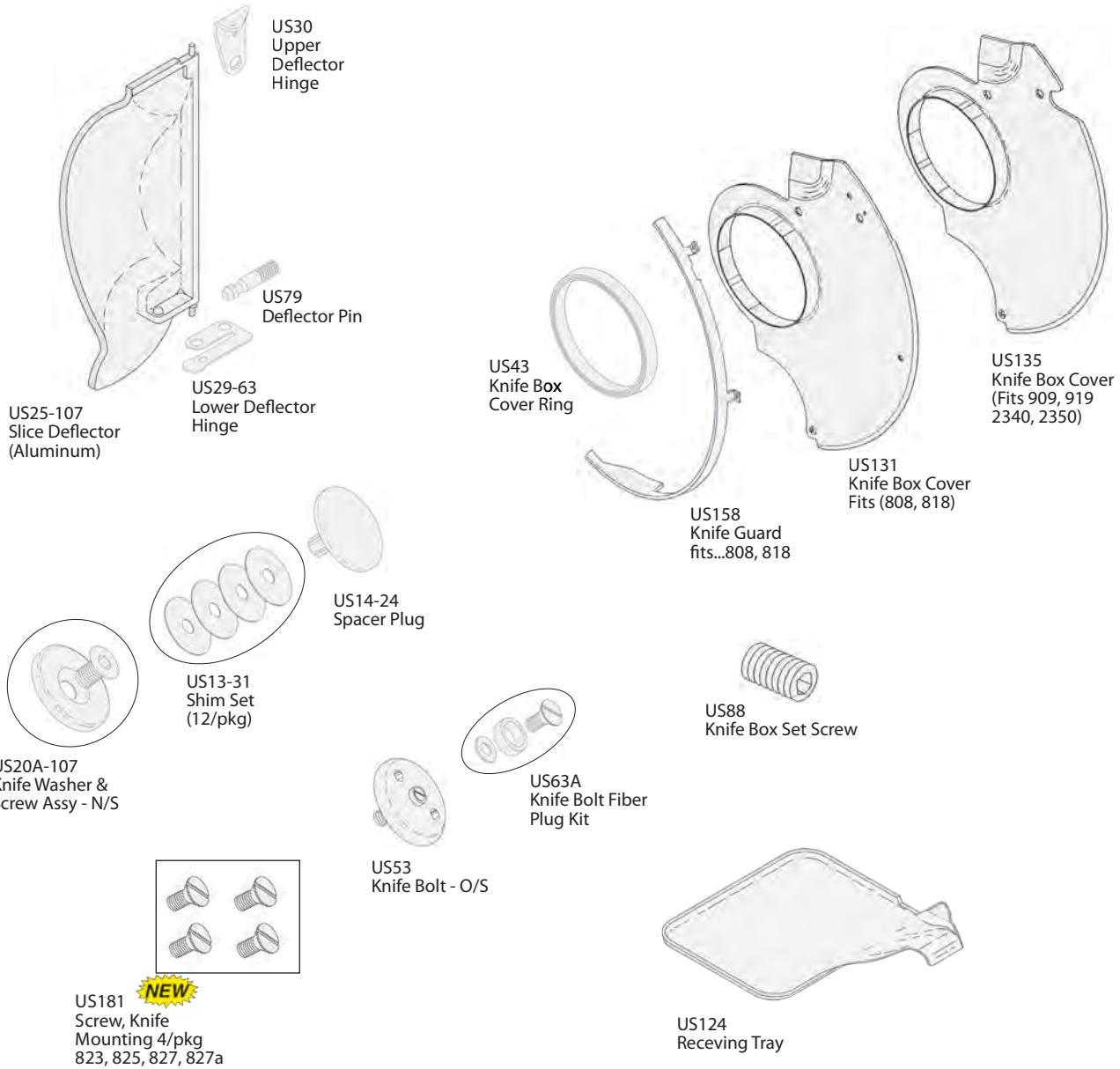
Components of the automatic carriage drive



FITS MODELS

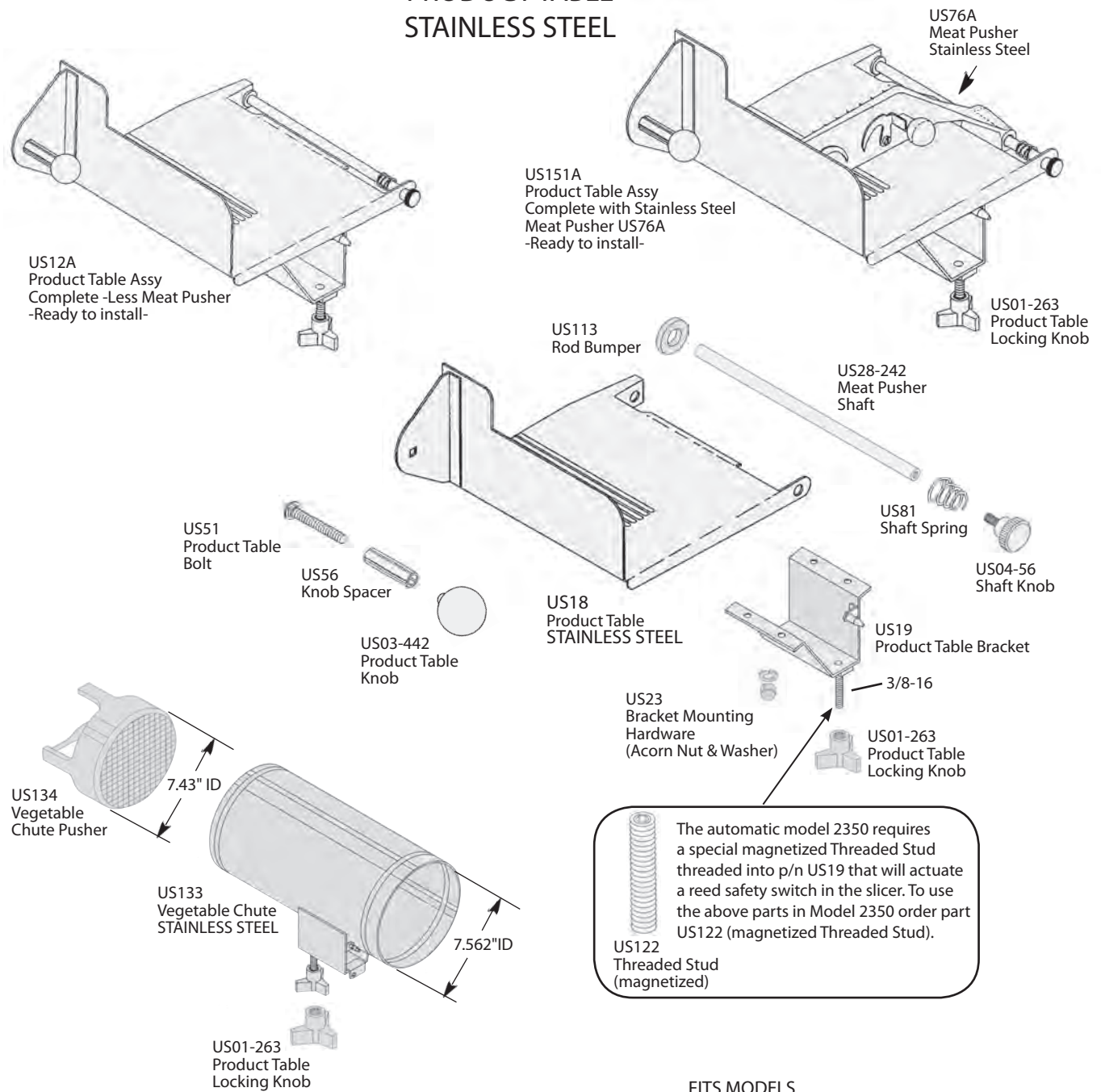
NBS P/N	OEM P/N	DESCRIPTION	807	808	817	818	909	919	2340	2350	3340	3350
US10-15	2375-0015	Knife Pulley Belt		X	X	X						
US36A	4375-0114	Knife Pulley Assy (N/S)		X	X	X						
US42-25U	3375-1083	Motor Pulley "U" Groove			X			X				
US42-25V	2375-0025	Motor Pulley "V" Groove		X		X						
US46	N/A	Retaining Ring		X		X	X	X				
US78	2642-3A	Knife Pulley Belt	X		X							
US82	2375-0133	Automatic Drive Belt -Round Polyurethane				X		X		X		
US85	2375-0030	Spring Plunger				X		X			X	
US86R	4975-0335	Polyurethane Belt & Pulley Kit				X		X				
US100	2375-0017	Gear Box Drive Belt				X						
US117	3375-1099	Motor Pulley (1/2" Bore) Std					X	X	X	X		
US118A	4375-0192	Knife Pulley Assy					X	X	X	X		
US119	2375-0141	Knife Pulley Belt					X	X	X	X		
US120	N/A	Motor Pulley (5/8" Bore)		X		X						
US123	2301-5221	Knife Pulley Belt									X	X
US130	N/A	Motor Pulley			X	X		X		X		
US157	N/A	Motor Pulley "U" Groove 1/2" Bore				X		X				
US159	2375-0138	Gear Box Drive Belt						X		X		

BERKEL



NBS P/N	OEM P/N	DESCRIPTION	FITS MODELS							
			807	808	817	818	909	919	2340	2350
US13-31	3275-0041	Shim Set (10/pkg)		X		X				
US14-24	3854-0024	Spacer Plug		X		X				
US20A-107	3375-1072	Knife Washer & Screw Assy - N/S		X		X	X	X	X	X
US25-107	4575-0107	Slice Deflector	X	X	X	X	X	X	X	X
US29-63	3475-0363	Lower Deflector Hinge	X	X	X	X	X	X	X	X
US30	3475-0156	Upper Deflector Hinge	X	X	X	X	X	X	X	X
US43	3875-0025	Knife Box Cover Ring	X	X	X	X	X	X	X	X
US53	47733-3	Knife Bolt - O/S	X		X					
US63A	4722-3A	Knife Bolt Fiber Plug Kit	X		X					
US79	3375-0291	Deflector Pin	X	X	X	X	X	X	X	X
US88	2175-7152	Knife Box Set Screw		X		X				
US124	3875-0059	Receiving Tray	X	X	X	X	X	X	X	X
US131	3475-0158	Knife Box Cover		X		X				
US135	3475-0765	Knife Box Cover					X	X	X	X
US158	3475-0755	Knife Guard		X		X				
US181	N/A	Screw, Knife Mounting 4/pkg fits... 823, 825, 827 and 827A								

PRODUCT TABLE STAINLESS STEEL



The automatic model 2350 requires a special magnetized Threaded Stud threaded into p/n US19 that will actuate a reed safety switch in the slicer. To use the above parts in Model 2350 order part US122 (magnetized Threaded Stud).

FITS MODELS

NBS P/N	OEM P/N	DESCRIPTION	808	817	818	909	919	2340	2350
US01-263	2275-0063	Product Table Locking Knob	X	X	X	X	X	X	X
US03-442	2275-0042	Product Table Knob	X	X	X	X	X	X	X
US04-56	2275-0056	Shaft Knob	X	X	X	X	X	X	X
US12A	4575-0915	Product Table Assy -Less Meat Pusher	X	X	X	X	X	X	X
US18	4575-0081	Product Table	X	X	X	X	X	X	X
US19	3475-0130	Product Table Bracket	X	X	X	X	X	X	X
US23	2175-0113	Bracket Mounting Hardware (nut & washer)	X	X	X	X	X	X	X
US28-242	3375-0242	Meat Pusher Shaft	X	X	X	X	X	X	X
US51	4575-0102	Product Table Bolt	X	X	X	X	X	X	X
US56	3375-0243	Knob Spacer	X	X	X	X	X	X	X
US81	3275-0029	Shaft Spring	X	X	X	X	X	X	X
US113	2275-0438	Rod Bumper	X	X	X	X	X	X	X
US122	2675-0699	Threaded Stud (Magnetized)							X
US133	4975-0458	Vegetable Chute	X	X	X	X	X	X	X
US134	3875-0148	Vegetable Chute Pusher	X	X	X	X	X	X	X
US151A	4675-0170	Product Table Assy - Stainless Steel	X	X	X	X	X	X	X

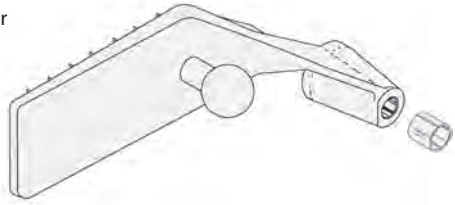
BERKEL

BERKEL

CHROME

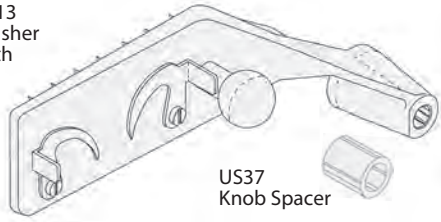
STAINLESS STEEL

US84A
Meat Pusher
w/o Hooks



US32-45
Meat Pusher
Bushing
(Split Steel)

US34A-13
Meat Pusher
Assy with
Hooks



US37
Knob Spacer

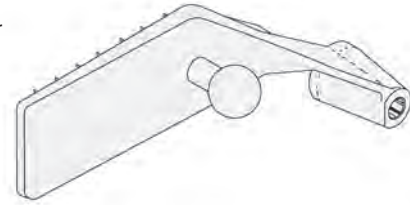
US40
Meat Pusher
Bumper



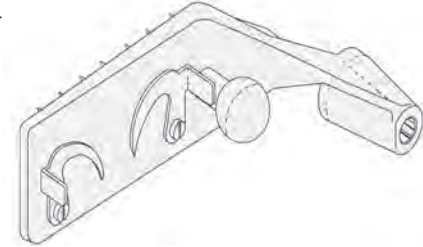
US35A
Meat Pusher
Hook Kit

US02-343
Male Knob

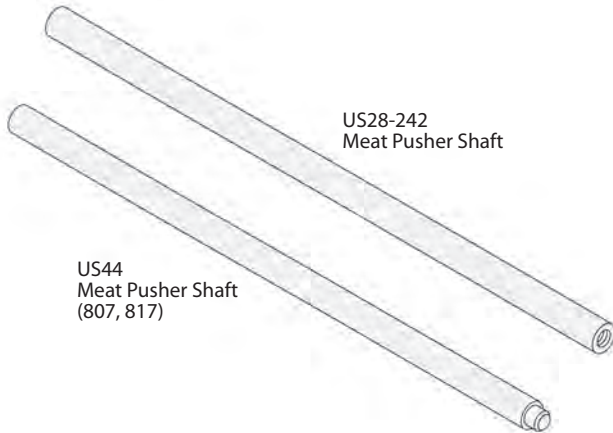
US83A
Meat Pusher
w/o Hooks



US76A
Meat Pusher
Assy with
Hooks



US113
Rod Bumper



US28-242
Meat Pusher Shaft

US44
Meat Pusher Shaft
(807, 817)



US54
Lock Pin



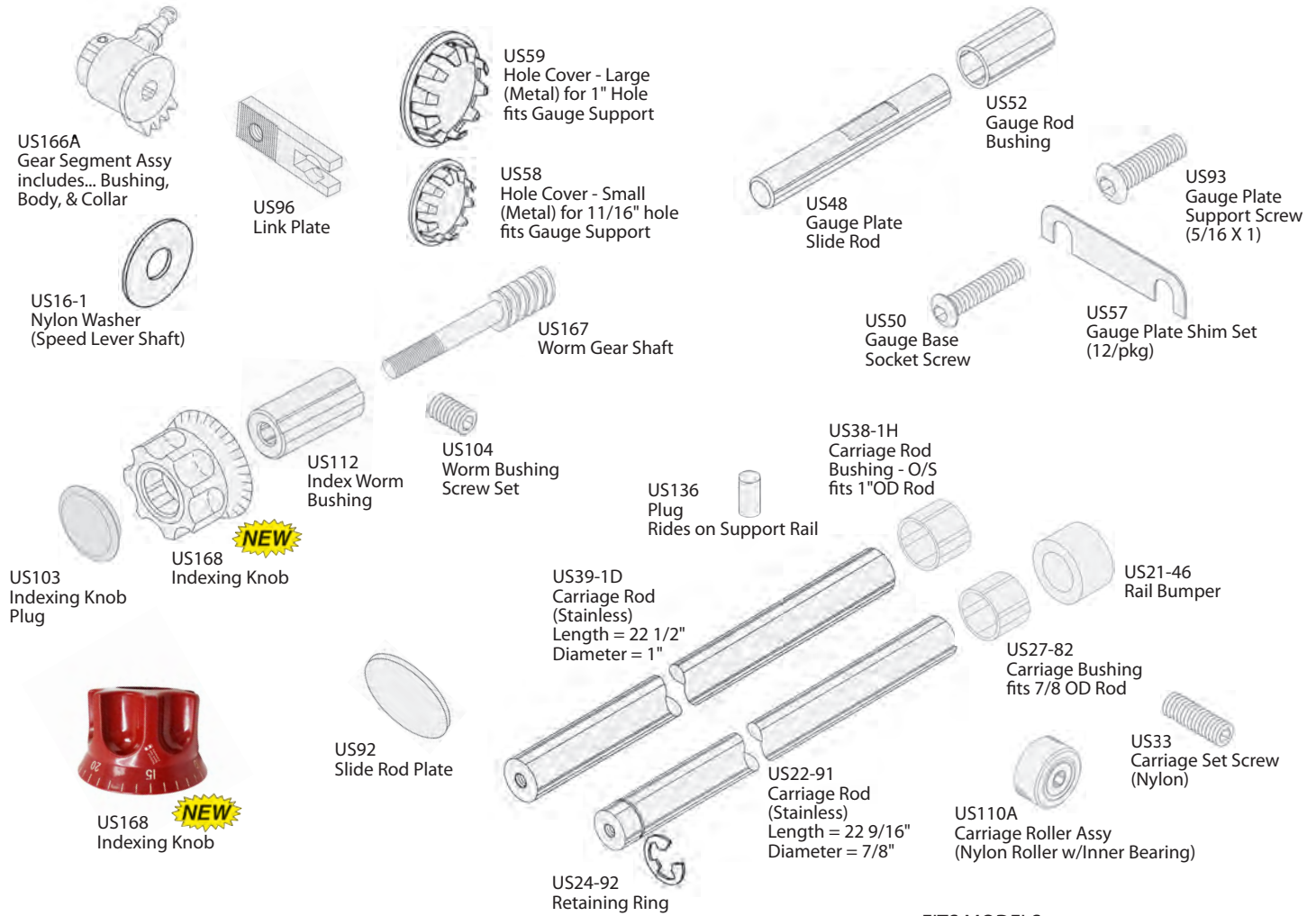
US81
Shaft Spring

US04-56
Knob

FITS MODELS

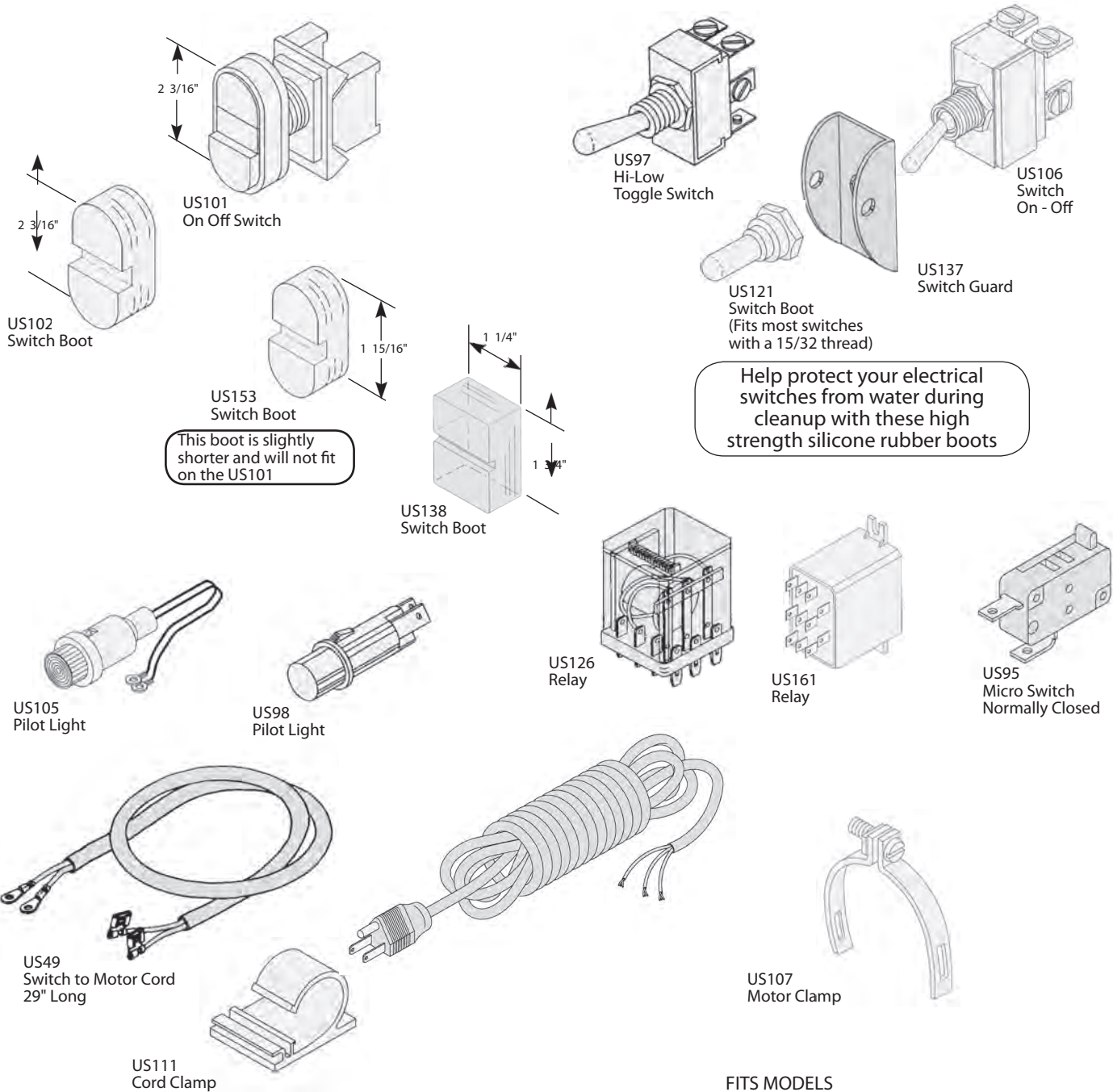
NBS P/N	OEM P/N	DESCRIPTION	807	808	817	818	909	919	2340	2350	3340	3350
US02-343	2275-0043	Male Knob	X	X	X	X	X	X	X	X	X	X
US04-56	2275-0056	Knob		X		X	X	X	X	X		
US28-242	3375-0242	Meat Pusher Shaft		X		X	X	X	X	X		
US32-45	2275-0045	Meat Pusher Bushing	X	X	X	X	X	X	X	X		
US34A-13	4675-0313	Meat Pusher Assy	X	X	X	X	X	X				
US35A	3475-0163/64	Meat Pusher Hook Kit	X	X	X	X	X	X	X	X		
US37	3375-0244	Knob Spacer	X	X	X	X	X	X			X	X
US40	3875-0023	Meat Pusher Bumper	X	X	X	X	X	X	X	X		
US44	2-26-25312	Meat Pusher Shaft	X		X							
US54	3875-0022	Lock Pin	X	X	X	X	X	X				
US76A	2648	Meat Pusher Assy (Stainless Steel)	X	X	X	X	X	X				
US81	3275-0029	Shaft Spring	X	X	X	X	X	X	X	X	X	X
US83A	2648	Meat Pusher w/o Hooks (Stainless Steel)	X	X	X	X	X	X				
US84A	2648	Meat Pusher w/o Hooks	X	X	X	X	X	X				
US113	3275-0042	Rod Bumper	X	X	X	X	X	X	X	X		

GAUGE RODS AND GEAR SEGMENTS



FITS MODELS

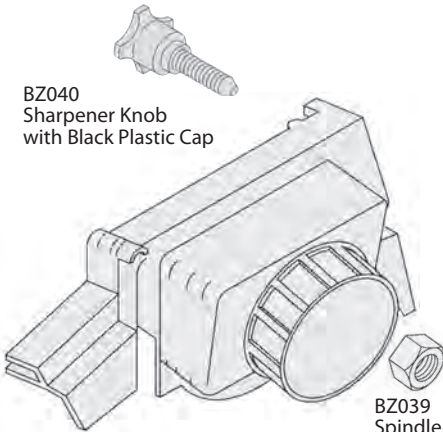
NBS P/N	OEM P/N	DESCRIPTION	807	808	817	818	909	919	2340	2350
US16-1	3275-0128	Nylon Washer (Speed Lever Shaft)		X			X			
US21-46	3275-0046	Rail Bumper	X	X	X	X	X	X	X	X
US22-91	3375-0091	Carriage Rod (Stainless)	X	X	X	X	X	X	X	X
US24-92	2275-0092	Retaining Ring		X		X	X	X	X	X
US27-82	2275-0053	Carriage Bushing	X	X	X	X	X	X	X	X
US33	2175-0106	Carriage Set Screw (Nylon)	X	X	X	X	X	X	X	X
US38-1H	U2646-1H	Carriage Rod Bushing - O/S	X		X					
US39-1D	2646-1D	Carriage Rod -O/S	X		X					
US48	3375-0296	Gauge Plate Slide Rod	X	X	X	X	X	X	X	X
US50	2175-3858	Gauge Base Socket Screw	X	X	X	X	X	X	X	X
US52	2275-0058	Gauge Rod Bushing	X	X	X	X	X	X	X	X
US57	3275-0044	Gauge Plate Shim Set (12/pkg)	X	X	X	X	X	X	X	X
US58	3675-0072	Hole Cover—Small	X	X	X	X	X	X	X	X
US59	3675-0071	Hole Cover—Large	X	X	X	X	X	X	X	X
US92	3475-0162	Slide Rod Plate	X	X	X	X	X	X	X	X
US93	2175-1864	Gauge Plate Support Screw	X	X	X	X	X	X	X	X
US96	3375-0298	Link Plate	X	X	X	X	X	X	X	X
US103	2275-0077	Indexing Knob Plug		X		X				
US104	2175-5163	Worm Bushing Set Screw		X		X	X			
US110A	4375-0031	Carriage Roller Assy (Nylon Roller w/Inner Bearing)	X	X	X	X	X	X	X	X
US112	N/A	Index Worm Bushing		X		X	X	X		
US136	3375-0336	Plug		X		X	X			
US166A	4675-0196	Gear Segment Assy	X	X	X	X	X	X	X	X
US167	4675-0336	Worm Gear Shaft	X	X	X	X	X	X	X	X
US168	3875-00151	Knob, Indexing		X	X	X	X	X	X	X



FITS MODELS

NBS P/N	OEM P/N	DESCRIPTION	807	808	817	818	909	919	2340	2350	3340	3350
US49	4175-0032	Switch to Motor Cord	X	X	X	X	X	X	X	X	X	X
US95	2641-3	Micro Switch			X							
US97	2675-0680	Hi-Low Toggle Switch						X	X	X		
US98	2675-0669	Pilot Light					X	X				
US101	2675-0740	On Off Switch					X	X	X	X		
US102	3675-0259	Switch Boot					X	X	X	X		
US105	2675-0053	Pilot Light		X		X						
US106	2675-00617	Switch	X	X	X	X						
US107	2275-0087	Motor Clamp		X		X	X	X	X	X		
US109	4175-0031	Power Cord	X	X	X	X	X	X				
US111	2275-0149	Cord Clamp	X	X	X	X	X	X	X	X	X	X
US121	2275-0060	Switch Boot		X	X	X	X	X	X	X		
US126	2675-0753	Relay					X	X	X	X		
US137		Switch Guard	X	X	X	X						
US138		Switch Boot										
US153		Switch Boot										
US161	2675-0831	Relay									X	X

SHARPENER ASSEMBLY AND SLICER KNIVES



BZ040
Sharpener Knob
with Black Plastic Cap

BZ092A
Sharpener Assy
fits...SE12, SE12D, GSP,
GSPH, V12, VS12F



BZ039
Spindle Nut
Truing and Grinding
Stone
Left Hand
Stainless Steel



BZ093 **NEW**
Cap for Sharpener
Assembly Knob
fits...SE12, SE12D,
GSP, GSPH, V12, VS12F



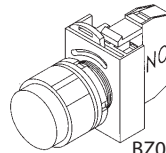
BZK-3
Knife, 3 Hole
13" Diameter
Stainless Steel



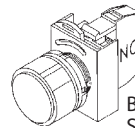
BZ001
Knife Mounting Screw
Stainless Steel
(Sold Individually)



BZK-4
Knife, 4 Hole
13" Diameter
Stainless Steel



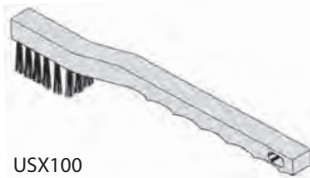
BZ095 **NEW**
Switch Assy - Stop
N/C Normally Closed



BZ094 **NEW**
Switch Assy - Start
- Normally Open

FITS...	NEWER:
A330	SE8
A400	SE12
GSP-HD	SG8D
GSP-	VS8
H33	VS8D
GSP-V	VS8F
SE12	VS12
G13	VS12F
SE355	
SE128	

BZST-1
Sharpener Stones
NOTE: Both grinding and truing
stone per package.
fits...SE12, SE12D, GSP,
GSPH, V12, VS12F, A330, G12, G13,
SE8, SE255, SE335, SG8D



USX100
Stone Cleaning Brush
Stainless steel wire brush
helps to clean grease
clogged sharpening stones



B328
Safety Glove

This glove is ambidextrous...
fits right or left hand

FITS...
G12
GSG-12
GSG-12A
300B
A301
SE255

USK-1
Knife, 4 Hole
12" Diameter
Stainless Steel

FITS MODELS

NBS P/N	OEM P/N	DESCRIPTION	A301	A330	A400	G12	G13	GSG-12	SE8	SE12	SE255	SE335	SG8D	300B
BZ001	57451640000	Knife Mounting Screw (Stainless-Metric)		X					X	X	X	X	X	
BZ039	5644860000	Spindle Nut, Truing - Grinding Stone		X					X				X	
BZ040	60510700015	Sharpener Knob		X					X	X			X	
BZ092A	60370800100	Sharpener Assy - Complete								X				
BZ093	60220600900	Cover Cap for Sharpener Assembly								X				
BZ094	60370800100	Sharpener Assy - Complete												X
BZ095	60220600900	Cover Cap for Sharpener Assembly												X
BZK-3	40220000700	Knife, 3 Hole							X				X	
BZK-4	60530101500	Knife, 4 Hole		X	X					X				
BZST-1	40220601600	Sharpener Stones (sold as set only)		X		X	X		X	X	X	X	X	
USK-1	40110000045	Knife 4 Hole	X			X		X			X			X
USX100	N/A	Stone Cleaning Brush	CAN BE USED ON MOST MANUFACTURERS SLICING MACHINES											

BELTS, DRIVE AND PULLEY



BZ016
Toothed Drive Belt
L=41", W=5/16"



BZ008
Knife Pulley Belt
L= 17", W=7/8"
Fits...SE8, SG8D

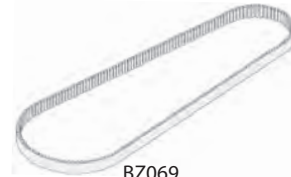
BZ062
Knife Pulley Belt
L= 16", W=7/8"



BZ017
Toothed Belt
L=21", W=5/16"



BZ068
Drive Belt
L=21 5/8", W=.656"



BZ069
Drive Belt

FITS MODELS

NBS P/N	OEM P/N	DESCRIPTION	355	A330	SE8	SE12	SG8D
BZ008	50009490000	Knife Pulley Belt			X		X
BZ016	40530300022	Toothed Drive Belt		X			
BZ017	40530300021	Toothed Belt		X			
BZ062	60370114000	Knife Pulley Belt				X	
BZ068	50009531000	Drive Belt 21 5/8"				X	
BZ069	50009532000	Drive Belt 41 5/16"				X	

Hub Components



BZ028
Knife Shaft Gear



BZ025
Knife Hub Snap Ring



BZ024
Shaft Snap Ring



BZ023
Knife Hub Bearing



BZ023
Knife Hub Bearing



BZ026
Knife Hub Bearing



BZ026
Knife Hub Bearing



BZ022
Seal Snap Ring

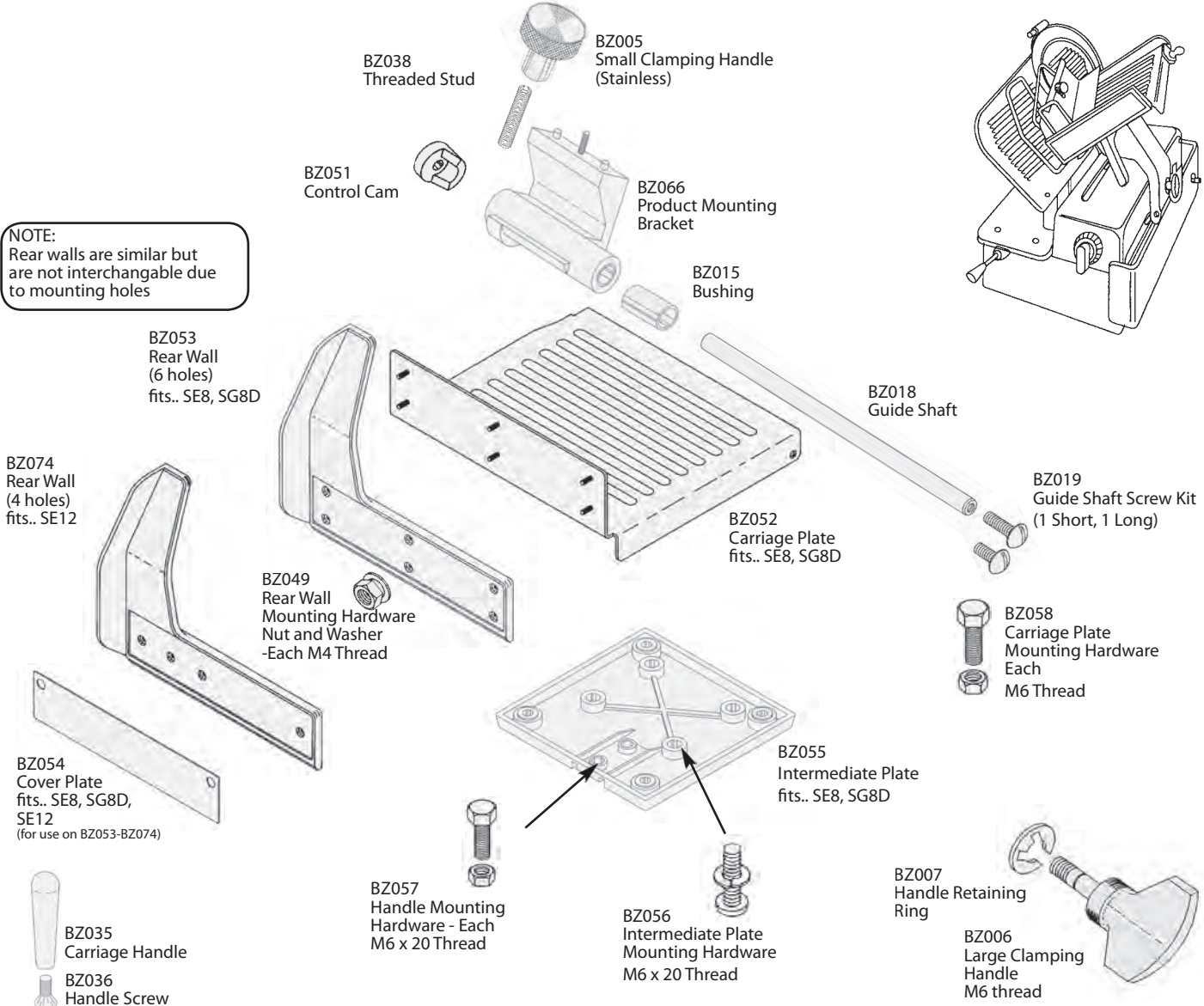


BZ021
Shaft Seal

FITS MODELS

NBS P/N	OEM P/N	DESCRIPTION	355	A330	SE8	SE12	SG8D
BZ021	50000940000	Shaft Seal		X			
BZ022	57778820000	Seal Snap Ring	X	X			
BZ023	56362910000	Knife Hub Bearing	X	X			
BZ024	57778650000	Shaft Snap Ring	X	X			
BZ025	57773340000	Knife Hub Snap Ring	X	X			
BZ026	56362850000	Knife Hub Bearing			X		X
BZ028	60510100037	Knife Shaft Gear		X			

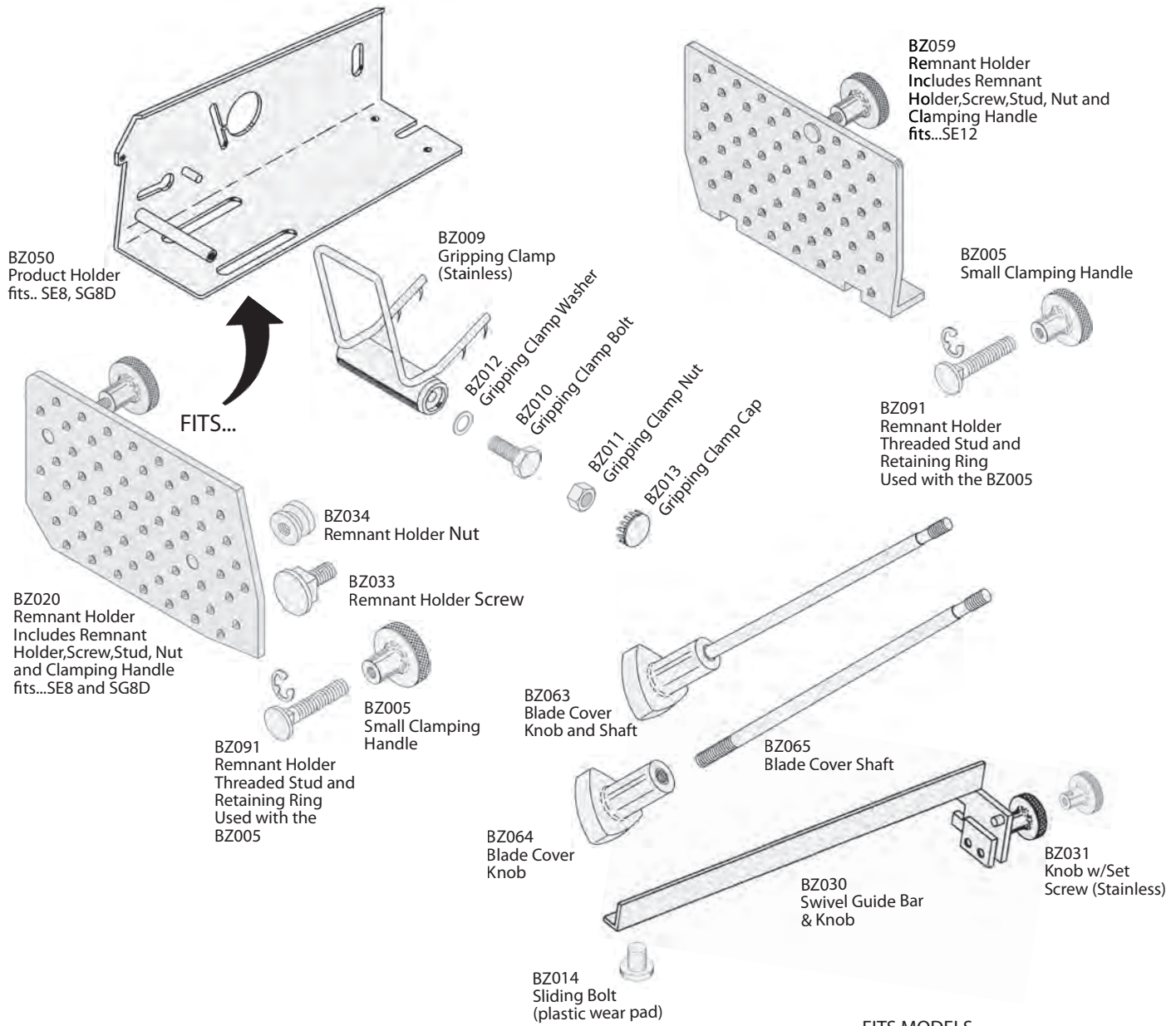
NOTE:
Rear walls are similar but are not interchangeable due to mounting holes



FITS MODELS

NBS P/N	OEM P/N	DESCRIPTION	SE8	SG8D	SE12
BZ005	40220402000	Small Clamping Handle (Stainless)	X	X	
BZ006	40220400600	Large Clamping Handle M6 Thread	X	X	
BZ007	57753800000	Handle Retaining Ring	X	X	
BZ015	50001170000	Bushing	X	X	X
BZ018	60350401500	Guide Shaft	X	X	
BZ019	56972770000	Guide Shaft Screw (1 Short & 1 Long)	X	X	
BZ035	56086100000	Carriage Handle	X	X	
BZ036	57442720000	Handle Screw	X	X	
BZ038	60350402800	Threaded Stud	X	X	
BZ049	56455400000	Rear Wall Mounting Hardware M4 Thread	X	X	
BZ051	60350403702	Control Cam	X	X	
BZ052	60351000201	Carriage Plate	X	X	
BZ053	60353602700	Rear Wall (6 holes)	X	X	
BZ054	60223300300	Cover Plate	X	X	X
BZ055	60350400301	Intermediate Plate	X	X	
BZ056	56805700000	Intermediate Plate Hardware M6 Thread	X	X	
BZ057		Handle Mounting Hardware M6 Thread	X	X	
BZ058	56456600000	Carriage Plate Mounting Hardware M6 Thread	X	X	
BZ066	60360200600	Product Mounting Bracket	X	X	
BZ074	60370404400	Rear Wall (4 holes)			X

BIZERBBA



FITS MODELS

NBS P/N	OEM P/N	DESCRIPTION	SE8	SG8D	SE12
BZ005	40220402000	Small Clamping Handle (Stainless)	X	X	X
BZ009	60350402200	Gripping Clamp	X	X	
BZ010	56972770000	Gripping Clamp Bolt	X	X	
BZ011	N/A	Gripping Clamp Nut (Stainless-Metric)	X	X	
BZ012	56739060000	Gripping Clamp Washer (Stainless)	X	X	
BZ013	N/A	Gripping Clamp Cap	X	X	
BZ014	60140104600	Sliding Bolt (plastic wear pad)	X	X	
BZ020	60350404100	Remnant Holder w/Mounting Hardware & Knob	X	X	
BZ030	60351200000	Swivel Guide Bar & Knob	X	X	
BZ031	N/A	Knob w/Set Screw	X	X	
BZ033	N/A	Remnant Holder Screw	X	X	
BZ034	N/A	Remnant Holder Nut	X	X	
BZ050	60350400801	Product Holder	X	X	
BZ059	60364301703	Remnant Holder			X
BZ063	60370112500	Blade Cover Knob and Shaft			X
BZ064	Part of 60370112500	Blade Cover Knob			X
BZ065	Part of 60370112500	Blade Cover Shaft			X
BZ091	N/A	Remnant Holder Screw and Retaining Ring	X	X	X

BZ037
Power Cord
6' Long
16 AWG

BZ027
Pilot Light

BZ089
Slide Rod
Bushing
fits...BZ088

BZ002
Shock Absorber
(Slide Rod Bumper)

BZ088
Slide Rod
SE12
OD = .984"
L = 22"

BZ076
Slide Rod
Bushing
fits...BZ075

BZ002
Shock Absorber
(Slide Rod Bumper)

BZ075
Slide Rod
OD = .864"
L = 20.5"

BZ076
Slide Rod Bushing
fits...BZ081

BZ077
Slider Rod Screw
M8 Thread

BZ081
Slide Rod
OD = .864"
L = 20.5"

BZ079
Retaining Ring

BZ029
Roller w/Ball Bearing
1"OD

BZ076
Slide Rod Bushing
fits...BZ081

BZ080
Retaining Ring

BZ071
Roller w/Ball Bearing
1 1/4"OD

BZ043
Foot Mounting Bolt
2 3/4" long, 6 mm

BZ044
Foot Mounting Bolt
2 3/8" long, 6 mm

BZ042
Foot Mounting Bolt
1" long, 6mm

BZ041
Rubber Foot
with Metal Insert

BZ003
Rubber Foot
(for automatic slicer)

BZ004
Metal Foot
with Rubber Pad
(for automatic slicer)

6mm

8mm

These slide rods are similar with the exception to this SHOULDER

FITS MODELS

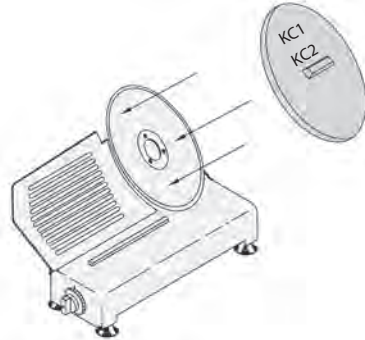
NBS P/N	OEM P/N	DESCRIPTION	355	A330	SE8	SE12	SG8D
BZ002	60220102800	Shock Absorber (Slide Rod Bumper)			X		X
BZ003	60610000124	Rubber Foot (for manual slicer)			X	X	
BZ004	60360304900	Metal Foot (for automatic slicer)		X			X
BZ027	71123670000	Pilot Light		X	X		X
BZ029	00110101004	Roller w/Ball Bearing 1" OD		X	X	X	X
BZ037	40300057700	Power Cord 6' Long	X	X	X	X	X
BZ041	60610000124	Rubber Foot			X		X
BZ042	57736250000	Foot Mounting Bolt 1" Long			X		
BZ043	57736600000	Foot Mounting Bolt 2 3/4" Long			X		
BZ044	57736250000	Foot Mounting Bolt 1 3/8" Long			X		
BZ071	40220102500	Roller w/ Ball Bearing 1 1/4" OD				X	
BZ075	60360105500	Slide Rod			X		X
BZ076	50001010000	Slider Rod Bushing			X		X
BZ077	56972720000	Slide Rod Screw (M8 thread)			X		X
BZ079	57753600000	Retaining Ring		X	X	X	X
BZ080	57750800000	Retaining Ring				X	
BZ081	60360105500	Slide Rod (w/SHOULDER)			X		X
BZ088	60370102102	Slide Rod				X	
BZ089	50001020000	Slide Rod Bushing				X	

Slicer Safety Covers and Knives



B328
Safety Glove, Use whenever Handling Sharp knives or Blades
Cloth w/ Steel Wire
This glove is ambidextrous... fits right or left hand

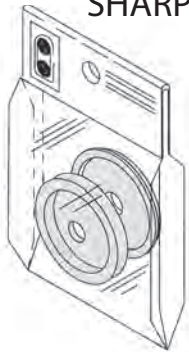
Don't let the exposed razor-sharp slicer knife becomes a hazard for the slicer operator.
Use the KC1 or KC2 safety covers to save FINGERS and \$\$\$\$.



KC1
Knife Safety Cover (Plastic) (NBS Lip design)
11" & 12" Slicer Knives

KC2
Knife Safety Cover (Plastic) (NBS Lip design)
12 1/2" Slicer Knives

SHARPENER STONES



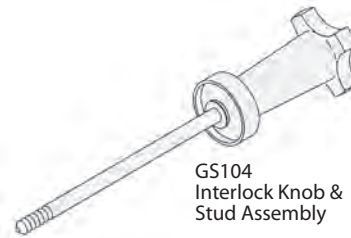
GST-1
Set with 1 grinding and 1 truing stone

FITS...
GC9
GC10

See Page 173 for Sharpener Assemblies



USX100
Stone Cleaning Brush
Stainless steel wire brush helps to clean grease clogged sharpening stones



GS104
Interlock Knob & Stud Assembly

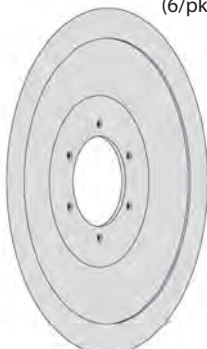
SLICER KNIVES



FITS...
3600
3850
3975

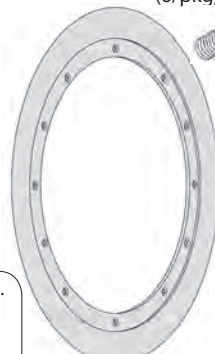
GSK-1
Fits Solid Knife Hub
11 1/2" Diameter
(Stainless Steel - Hollow Ground)

FITS...
285
300
400
500
685
715
720
725
765
770
775
815
820
825
2500
2750
2850V
2875V
3500
3750
3875V
4500
4750
4875V



GSK-3
Fits Solid Knife Hub
11 1/2" Diameter
(Stainless Steel - Hollow Ground)

GS23-832
Knife Screws
(6/pkg)



FITS...
75
150
510
610
660
710
760

GSK-4
Fits Ring Hub
11 7/16" Diameter

GS219
Ring Knife Screws
(6/pkg)



FITS...
3600P
3850P
3975P
4600P
4975P

GSK-5
13" Diameter
(Stainless Steel - Hollow Ground)



GSK-6
9" Diameter
(Hard Chrome)
fits... Chefmate GC9

GSK-7
10" Diameter
(Hard Chrome)
fits... Chefmate G10, GC10

GSK-8
12" Diameter
(Hard Chrome)
fits... Chefmate G12, GC12, GS12D

FITS MODELS

NBS P/N	OEM P/N	DESCRIPTION	75	150	285	300	400	500	510	610	660	685	710	715	720	725	760	765	770	775	815	820	825	2500	3500	3600	3850	3975	4500	4600	4750	4875	4975	
GS23-832	747-155	Knife Screws (6/pkg)	X	X	X	X	X	XL	X	X	X	X	X	X	X	XL	X	X	X	XL	X	X	X	X	X									
GS104	879	Interlock Knob & Stud Assembly						L								L																		
GS219	37	Ring Knife Screws (6/pkg)	X	X					X	X	X		X			L	X	X					L	X	X									
GSK-1	1022	Solid Knife (SS-Hollow Ground)				X	X	X	XL			X		X	X	XL		X	X	XL	X	X	XL	X	X		X	X	X					
GSK-3	963-5	Solid Knife (SS-Hollow Ground)				X	X	X	XL			X		X	X	XL		X	X	XL	X	X	XL	X	X		X	X	X					
GSK-4	510	Ring Knife	X	X					X	X	X		X			X																		
GSK-5	460027	Solid Knife																								P	P	P		P			P	
GST-1	N/A	Sharpener Stones	X	X	X	X	X	XL	X	X	X	X	X	X	X	XL	X	X	X	XL	X	X	XL	X	X	X	X	X	X	X	X	X		
KC1	N/A	Knife Safety Cover																																
KC2	N/A	Knife Safety Cover																																
USX100	N/A	Stone Cleaning Brush																																

CAN BE USED ON MOST MANUFACTURERS SLICING MACHINES

X = Fits Regular Model Version / L = "L" Model Version
P= "P" Premium Model Version

SOLID KNIFE HUB COMPONENTS

GS169A
NEW Hub Assy
W/ BRONZE Gear

GS64A-1
NEW Hub Assy
W/ FIBER Gear

GS33A
NEW Hub Assy
W/ PLASTIC Gear

GS160RB
REBUILT Hub Assy
W/ BRONZE Gear

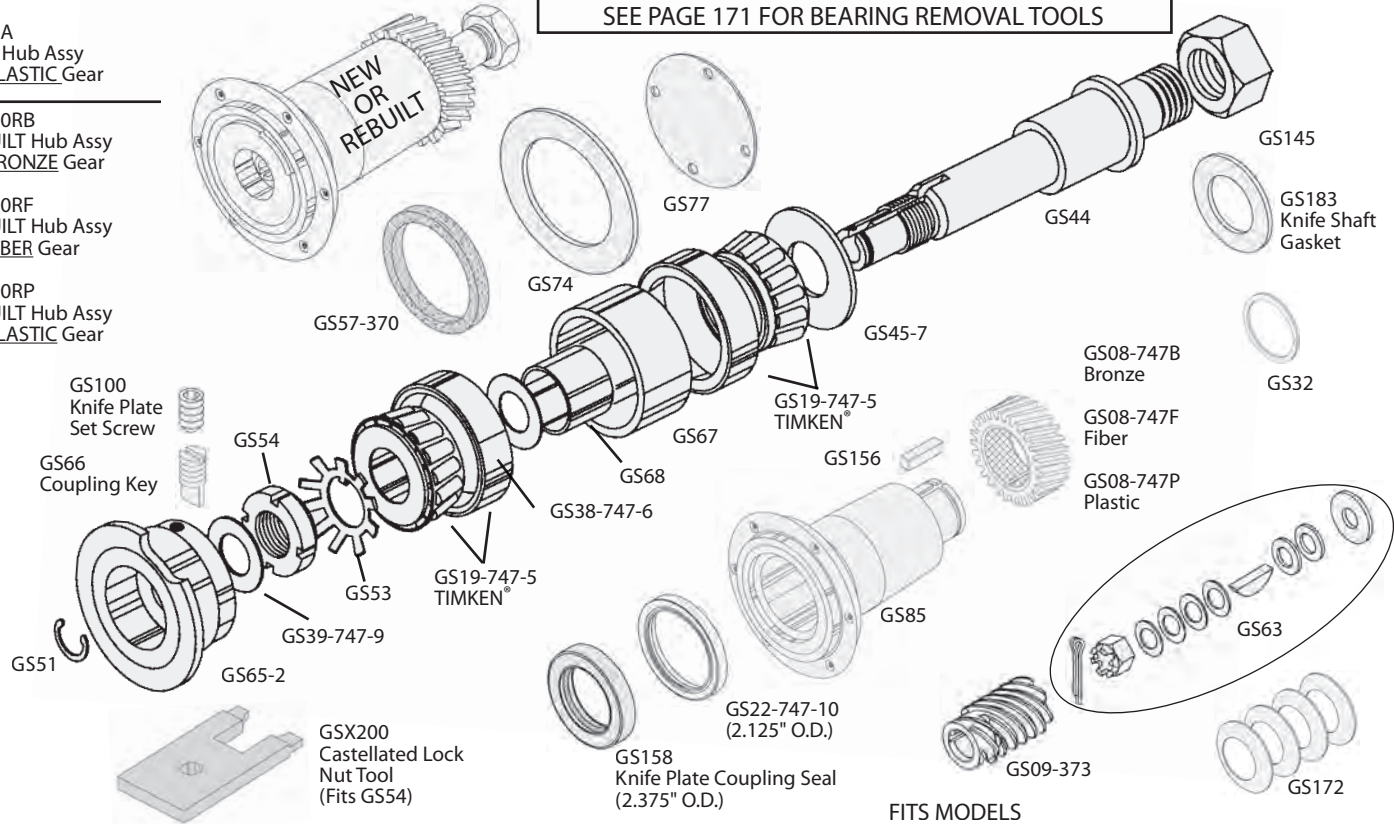
GS160RF
REBUILT Hub Assy
W/ FIBER Gear

GS160RP
REBUILT Hub Assy
W/ PLASTIC Gear

USE THESE NEW PARTS TO REBUILD YOUR HUB
OR...
SEND YOUR SERVICABLE HUB
TO NATIONAL BAND SAW
AND WE WILL REBUILD IT AND SHIP IT BACK TO YOU

PLEASE USE THE REBUILD ORDER FORM
LOCATED ON PAGE 168. PLEASE KEEP COPIES
OF THIS FROM AND PLACE IT IN THE BOX
WITH EACH REBUILD ORDER, COMPLETED.

SEE PAGE 171 FOR BEARING REMOVAL TOOLS



FITS MODELS

NBS P/N	OEM P/N	DESCRIPTION	75	150	285	300	400	500	510	610	660	685	710	715	720	725	760	765	770	775	815	820	825
GS08-747B	747-17B	Knife Gear - Bronze	X	X	X	X	X	XL	X	X	X	X	X	X	X	XL	X	X	X	XL	X	X	XL
GS08-747F	747-17	Knife Gear - Fiber	X	X	X	X	X	XL	X	X	X	X	X	X	X	XL	X	X	X	XL	X	X	XL
GS08-747P	747-17N	Knife Gear - Plastic	X	X	X	X	X	XL	X	X	X	X	X	X	X	XL	X	X	X	XL	X	X	XL
GS09-373	373	Motor Gear	X	X	X	X	X	XL	X	X	X	X	X	X	X	XL	X	X	X	XL	X	X	XL
GS19-747-5	747-5	Knife Plate Bearing			X	X	X	XL				X	X	X	XL		X	X	X	XL	X	X	XL
GS22-747-10	747-10	Knife Plate Coupling Seal (2.125" O.D.)			X	X	X	XL				X	X	X	XL		X	X	X	XL	X	X	XL
GS32	747-16	Knife Hub Spiral Lock Ring	X	X	X	X	X	XL	X	X	X	X	X	X	X	XL	X	X	X	XL	X	X	XL
GS33A	N/A	NEW Hub Assy - Plastic Gear		X	X	X	X	XL				X	X	X	XL		X	X	X	XL	X	X	XL
GS38-747-6	747-6	Knife Plate Shim (12/pkg-Asstd Thickness)			X	X	X	XL				X	X	X	XL		X	X	X	XL	X	X	XL
GS39-747-9	747-9	Knife Plate Coupling Shim (12/pkg)			X	X	X	XL				X	X	X	XL		X	X	X	XL	X	X	XL
GS44	747-15	Knife Shaft			X	X	X	X				X	X	X	X		X	X	X	X	X	X	X
GS45-7	747-7	Knife Plate Washer			X	X	X	XL				X	X	X	XL		X	X	X	XL	X	X	XL
GS51	747-19	Knife Shaft Clip			X	X	X	XL				X	X	X	XL		X	X	X	XL	X	X	XL
GS53	747-13	Knife Plate Lock Washer			X	X	X	XL				X	X	X	XL		X	X	X	XL	X	X	XL
GS54	747-14	Knife Bearing Locknut			X	X	X	XL				X	X	X	XL		X	X	X	XL	X	X	XL
GS57-370	370	Felt Seal	X	X	X	X	X	XL	X	X	X	X	X	X	XL	X	X	X	X	XL	X	X	XL
GS63	N/A	Motor Gear Hardware Kit			X	X	X	XL				X	X	X	XL		X	X	X	XL	X	X	XL
GS64A-1	747-AS	NEW Hub Assy - Fiber Gear		X	X	X	X	XL				X	X	X	XL		X	X	X	XL	X	X	XL
GS65-2	747-2	Knife Plate Coupling (w/GS66 Set Screw)			X	X	X	X				X	X	X	X		X	X	X	X	X	X	X
GS66	747-11	Knife Plate Coupling Key			X	X	X	XL				X	X	X	XL		X	X	X	XL	X	X	XL
GS67	747-4	Bearing Spacer (Large)			X	X	X	X				X	X	X	X		X	X	X	X	X	X	X
GS68	747-3	Bearing Spacer (Small)			X	X	X	X				X	X	X	X		X	X	X	X	X	X	X
GS74	395	Motor Gasket	X	X	X	X	X	XL	X	X	X	X	X	X	XL	X	X	X	X	XL	X	X	XL
GS77	391-1	Gear Housing Cover Gasket	X	X	X	X	X	XL	X	X	X	X	X	X	XL	X	X	X	X	XL	X	X	XL
GS85	N/A	Knife Plate Hub			X	X	X	XL				X	X	X	XL		X	X	X	XL	X	X	XL
GS100	747-12	Knife Plate Set Screw			X	X	X	XL				X	X	X	XL		X	X	X	XL	X	X	XL
GS145	747-8	Knife Shaft Nut - 1 1/16" (Hex)	X	X	X	X	X	XL	X	X	X	X	X	X	XL	X	X	X	X	XL	X	X	XL
GS156	747-18	Gear Key			X	X	X	XL				X	X	X	XL		X	X	X	XL	X	X	XL
GS158	932-4	Knife Plate Coupling Seal (2.375" O.D.)						L												L			L
GS160R	N/A	REBUILT Hub Assy																					
GS169A	747-1 AS	NEW Hub Assy - Bronze Gear		X	X		X	XL				X	X	X	XL		X	X	X	XL	X	X	XL
GS172	810	Motor Gear Washer Set (4/pkg)			X	X	X	XL				X	X	X	XL		X	X	X	XL	X	X	XL
GS183	972-9P	Knife Shaft Gasket	X	X	X	X	X	XL	X	X	X	X	X	X	XL	X	X	X	X	XL	X	X	XL
GSX200	N/A	Castellated Lock Nut Tool			X	X	X	XL				X	X	X	XL		X	X	X	XL	X	X	XL

X = Fits Regular Model Version / L = "L" Model Version

DATE: _____

CUSTOMER # : _____

COMPANY NAME: _____

CONTACT NAME: _____

PO # : _____

SHIP METHOD: _____

Return Shipping

BILL ADDRESS: _____

SHIP To ADDRESS: _____

PHONE: _____

CREDIT CARD # : _____

EMAIL: _____

EXP DATE: _____

CVC # : _____

Rebuild Part # _____

Qty to Rebuild: _____

Rebuild Part # _____

Qty to Rebuild: _____

Rebuild Part # _____

Qty to Rebuild: _____

Rebuild Part # _____

Qty to Rebuild: _____

Additional Items to ship with this order:

Part Number _____

Quantity: _____

Part Number _____

Quantity: _____

Part Number _____

Quantity: _____

Part Number _____

Quantity: _____

Part Number _____

Quantity: _____

Part Number _____

Quantity: _____

Part Number _____

Quantity: _____

Part Number _____

Quantity: _____

Part Number _____

Quantity: _____

Part Number _____

Quantity: _____

Part Number _____

Quantity: _____

Part Number _____

Quantity: _____

Part Number _____

Quantity: _____

Notes, Instructions:



SOLID KNIFE HUB COMPONENTS - CURRENT MODELS

USE THESE NEW PARTS TO REBUILD YOUR HUB
OR...
SEND YOUR REBUILDABLE HUB
TO NATIONAL BAND SAW
AND WE WILL REBUILD IT
AND SHIP IT BACK TO YOU

GS186A
NEW Hub Assy
W/ FIBER Gear

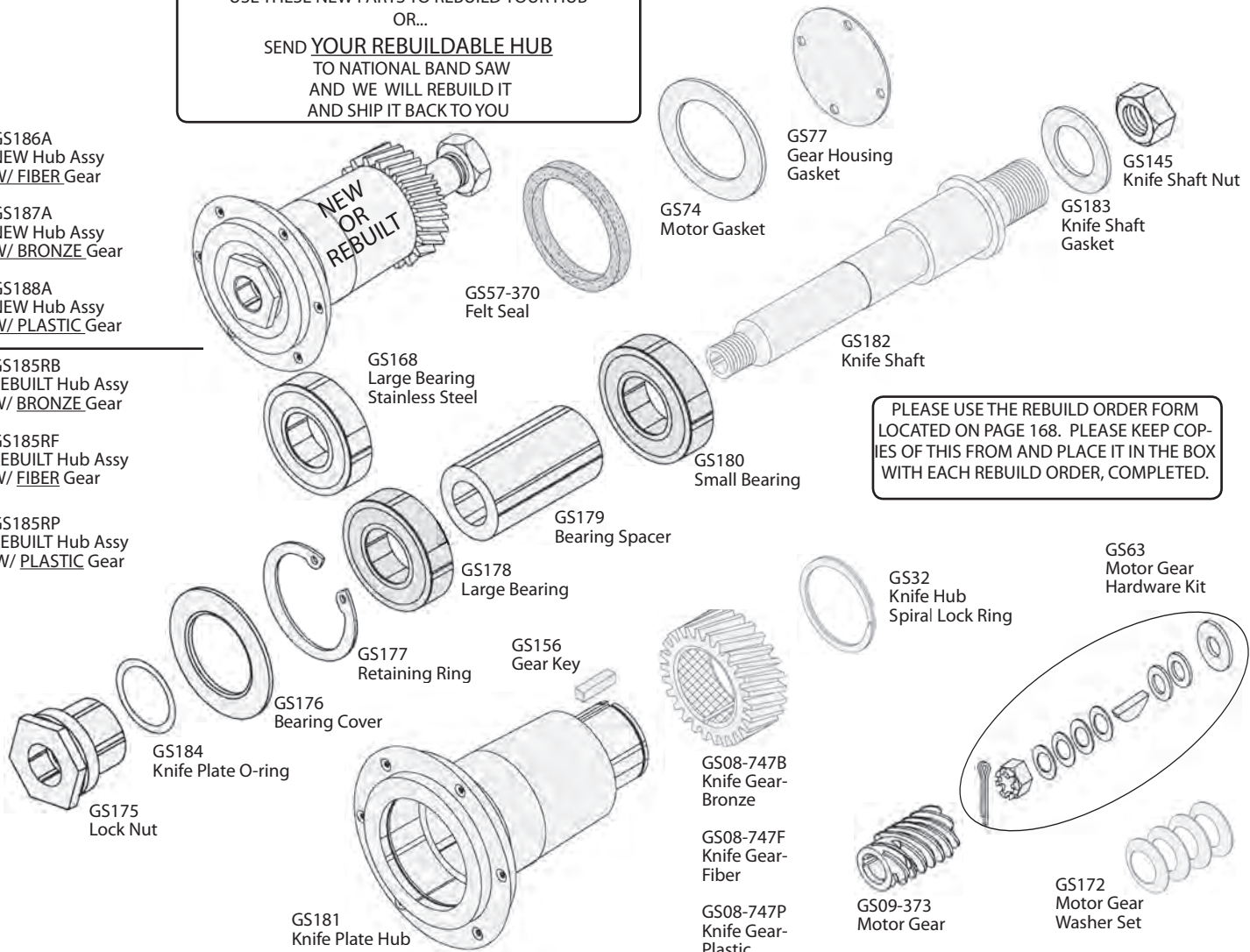
GS187A
NEW Hub Assy
W/ BRONZE Gear

GS188A
NEW Hub Assy
W/ PLASTIC Gear

GS185RB
REBUILT Hub Assy
W/ BRONZE Gear

GS185RF
REBUILT Hub Assy
W/ FIBER Gear

GS185RP
REBUILT Hub Assy
W/ PLASTIC Gear



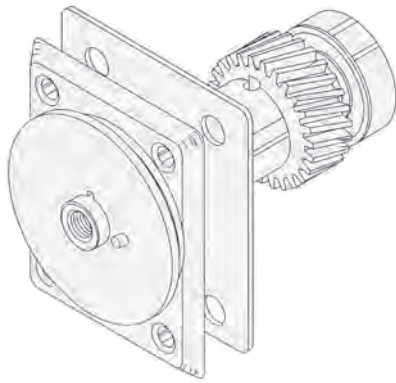
PLEASE USE THE REBUILD ORDER FORM
LOCATED ON PAGE 168. PLEASE KEEP COPIES
OF THIS FROM AND PLACE IT IN THE BOX
WITH EACH REBUILD ORDER, COMPLETED.

FITS MODELS

NBS P/N	OEM P/N	DESCRIPTION	2500	2750	2850V	2875V	3500	3750	3875V	4500	4750	4875V
GS08-747B	747-17B	Knife Gear - Bronze	X	X	X	X	X	X	X	X	X	X
GS08-747F	747-17	Knife Gear - Fiber	X	X	X	X	X	X	X	X	X	X
GS08-747P	747-17N	Knife Gear - Plastic	X	X	X	X	X	X	X	X	X	X
GS09-373	373	Motor Gear	X	X	X	X	X	X	X	X	X	X
GS32	747-16	Knife Hub Spiral Lock Ring	X	X	X	X	X	X	X	X	X	X
GS57-370	370	Felt Seal	X	X	X	X	X	X	X	X	X	X
GS63	N/A	Motor Gear Hardware Kit (4/pkg)	X	X	X	X	X	X	X	X	X	X
GS74	395	Motor Gasket	X	X	X	X	X	X	X	X	X	X
GS77	391-1	Gear Housing Cover Gasket	X	X	X	X	X	X	X	X	X	X
GS145	747-8	Knife Shaft Nut	X	X	X	X	X	X	X	X	X	X
GS156	747-18	Gear Key	X	X	X	X	X	X	X	X	X	X
GS168	972-5P	Large Bearing Stainless Steel	X	X	X	X	X	X	X	X	X	X
GS172	810	Motor Gear Washer Set (4/pkg)	X	X	X	X	X	X	X	X	X	X
GS175	972-3P	Lock Nut	X	X	X	X	X	X	X	X	X	X
GS176	972-6P	Bearing Cover	X	X	X	X	X	X	X	X	X	X
GS177	972-7P	Retaining Ring	X	X	X	X	X	X	X	X	X	X
GS178	972-5P	Large Bearing	X	X	X	X	X	X	X	X	X	X
GS179	972-4P	Bearing Spacer	X	X	X	X	X	X	X	X	X	X
GS180	972-8P	Small Bearing	X	X	X	X	X	X	X	X	X	X
GS181	972-1-P	Knife Plate Hub	X	X	X	X	X	X	X	X	X	X
GS182	972-2P	Knife Shaft	X	X	X	X	X	X	X	X	X	X
GS183	972-9P	Knife Shaft Gasket	X	X	X	X	X	X	X	X	X	X
GS184	972-10P	Knife Plate O-Ring	X	X	X	X	X	X	X	X	X	X
GS185R	N/A	REBUILT- Hub Assy	X	X	X	X	X	X	X	X	X	X
GS186A	972-P-AS	Hub Assy - Fiber Gear	X	X	X	X	X	X	X	X	X	X
GS187A	972-P-AS-1	Hub Assy - Bronze Gear	X	X	X	X	X	X	X	X	X	X
GS188A	972-P-AS-2	Hub Assy - Plastic Gear	X	X	X	X	X	X	X	X	X	X

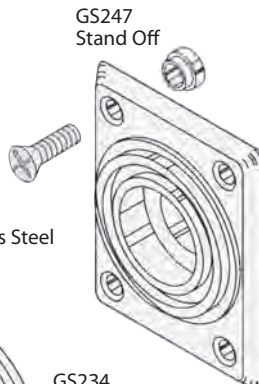
BEARING ASSEMBLY MODELS 3600, 3600P, 3850, 3975

USE THESE NEW PARTS TO REBUILD YOUR HUB
OR...
SEND YOUR REBUILDABLE HUB
TO NATIONAL BAND SAW
AND WE WILL REBUILD IT
AND SHIP IT BACK TO YOU



GS249A
NEW Knife Hub Assy
Nylon Gear
Includes GS247 Standoffs

GS248R
REBUILT Knife Hub Assy
Nylon Gear
Includes GS247 Standoffs
Rebuilds are not STOCKED
Send us Yours to Rebuild



GS224
Screws
(4/pkg)
Stainless Steel

GS247
Stand Off



GS236
Gasket



GS234
Knife Locating Hub
Aluminum

GS235
Upper Bearing Housing
Includes GS247 Standoffs



GS270
Knife Locating Hub
Stainless Steel



GS230
Plug



GS231
Knife Bolt Assy

GS232
Set Screw



GS233
Flat Washer

GS242P
Worm Gear
- Plastic

GS241S
Worm Gear
- Steel



GS245
Bowed Washer

GS246
Thrust Washer



GS244
Retaining Ring

GS180
Small Bearing



GS243
Spacer

PLEASE USE THE REBUILD ORDER FORM
LOCATED ON PAGE 168. PLEASE KEEP COPIES
OF THIS FROM AND PLACE IT IN THE BOX
WITH EACH REBUILD ORDER, COMPLETED.



GS250HD
Nylon Gear - Heavy Duty
Oil Impregnated

GS239
Key

GS238
Key

GS237
Knife Shaft

GS178
Large Bearing

GS177
Retaining Ring

GS279
Front Bearing
-3600P

FITS MODELS

NBS P/N	OEM P/N	DESCRIPTION	3600	3600P	3850	3975
GS177	972-7P	Retaining Ring	X	X	X	X
GS178	972-5P	Large Bearing	X		X	X
GS180	972-8P	Small Bearing	X	X	X	X
GS224	N/A	Screws (4/pkg)	X	X	X	X
GS230	1193	Plug	X	X	X	X
GS231	1195	Knife Bolt Assy	X	X	X	X
GS232	1237	Set Screw	X	X	X	X
GS233	1092	Flat Washer	X	X	X	X
GS234	1090	Knife Locating Hub (Aluminum)	X	X	X	X
GS235	1037	Upper Bearing Housing	X	X	X	X
GS236	1241	Gasket	X	X	X	X
GS237	1085	Knife Shaft	X		X	X
GS238	1106	Key	X	X	X	X
GS239	1086	Key	X	X	X	X
GS241S	410020	Worm Gear - Steel	X	X	X	X
GS242P	1059	Worm Gear - Plastic	X	X	X	X
GS243	1083	Spacer	X	X	X	X
GS244	1087	Retaining Ring	X	X	X	X
GS245	1215	Bowed Washer	X		X	X
GS246	1221	Thrust Washer	X		X	X
GS247	1237	Stand Off	X	X	X	X
GS248R	N/A	REBUILT Knife Assy	X		X	X
GS249A	1094	New Knife Assy	X		X	X
GS250HD	N/A	Nylon Gear - Heavy Duty	X	X	X	X
GS270	N/A	Knife Locating Hub (Stainless Steel)	X		X	X
GS279	820045	Front Bearing -	X	X		

RING KNIFE HUB COMPONENTS

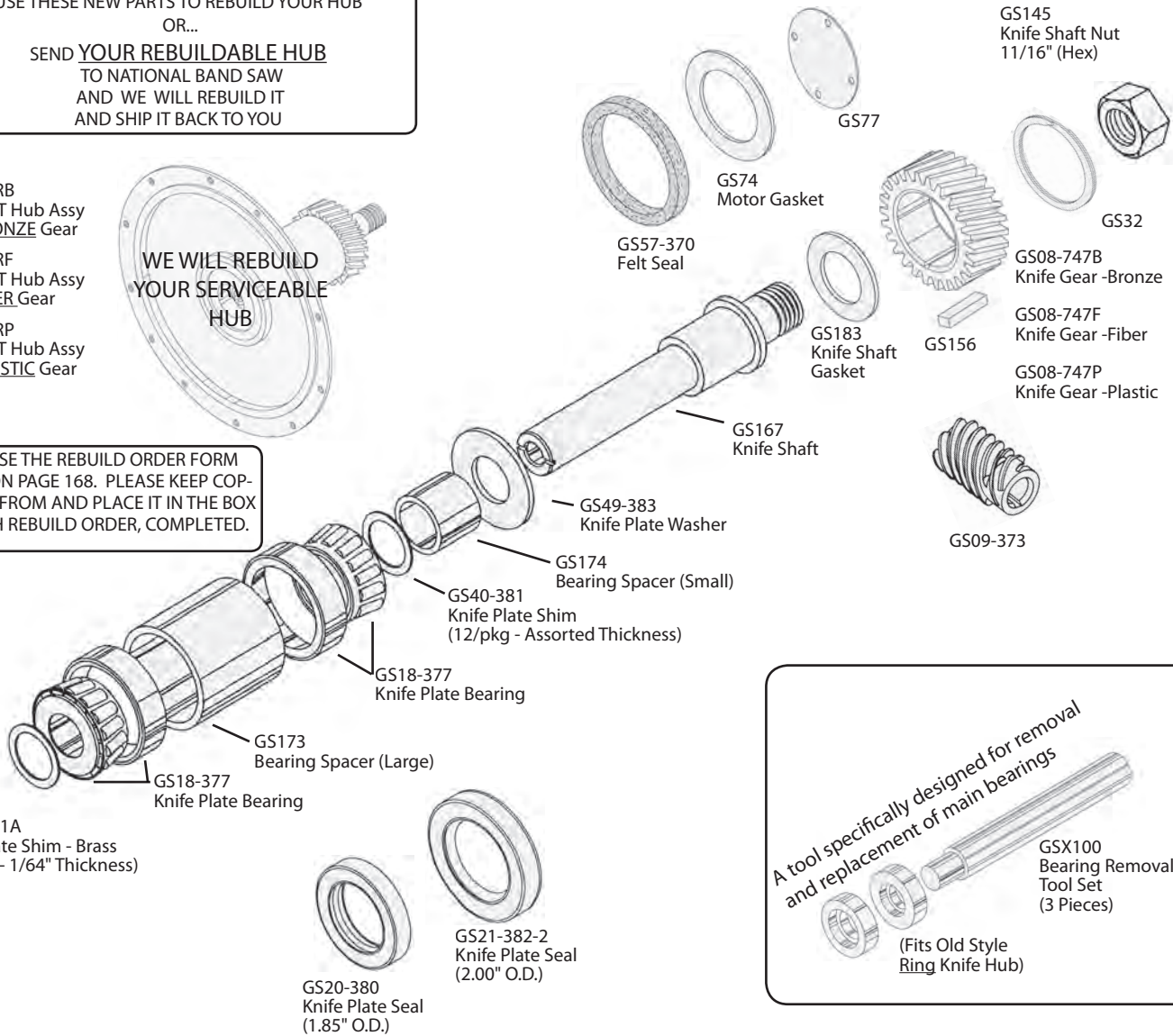
USE THESE NEW PARTS TO REBUILD YOUR HUB
OR...
SEND YOUR REBUILDABLE HUB
TO NATIONAL BAND SAW
AND WE WILL REBUILD IT
AND SHIP IT BACK TO YOU

- GS199RB
REBUILT Hub Assy
W/ BRONZE Gear
- GS199RF
REBUILT Hub Assy
W/ FIBER Gear
- GS199RP
REBUILT Hub Assy
W/ PLASTIC Gear



PLEASE USE THE REBUILD ORDER FORM
LOCATED ON PAGE 168. PLEASE KEEP COPIES
OF THIS FROM AND PLACE IT IN THE BOX
WITH EACH REBUILD ORDER, COMPLETED.

GS41-381A
Knife Plate Shim - Brass
(12/pkg - 1/64" Thickness)

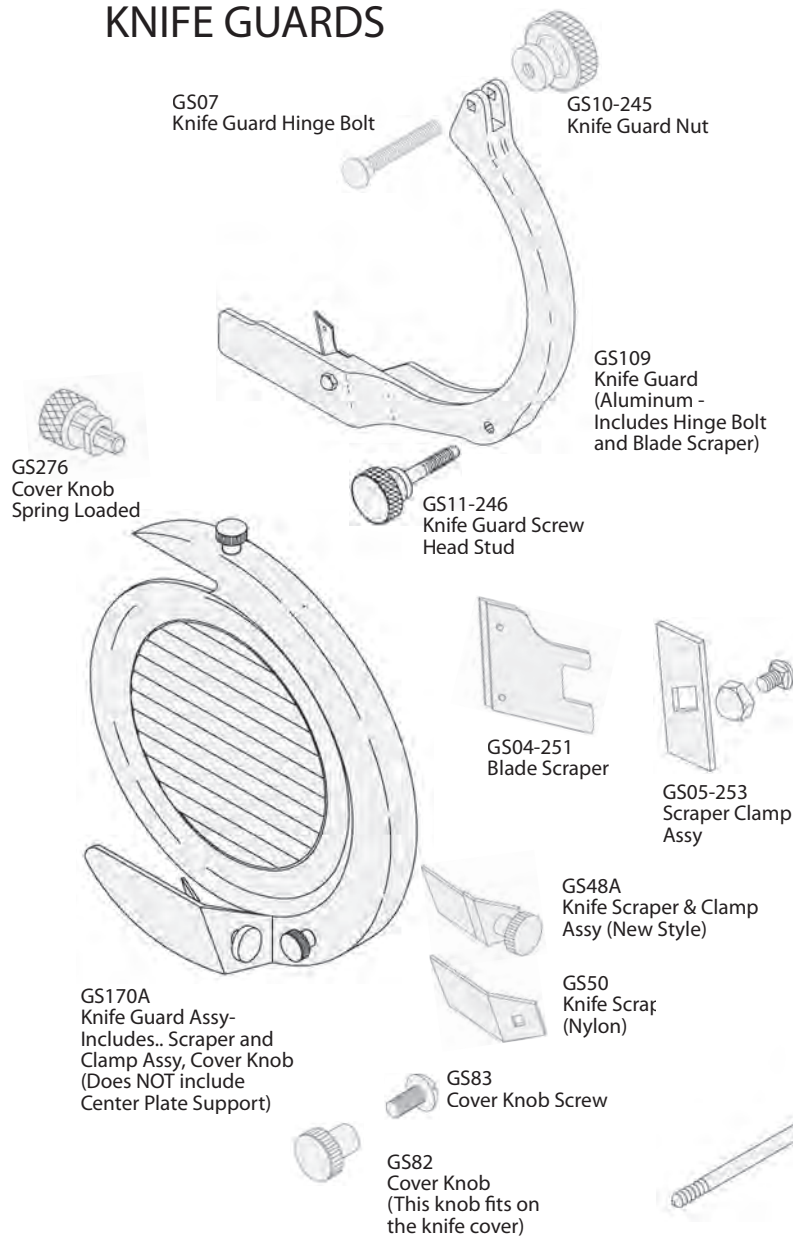


A tool specifically designed for removal
and replacement of main bearings
GSX100
Bearing Removal
Tool Set
(3 Pieces)
(Fits Old Style
Ring Knife Hub)

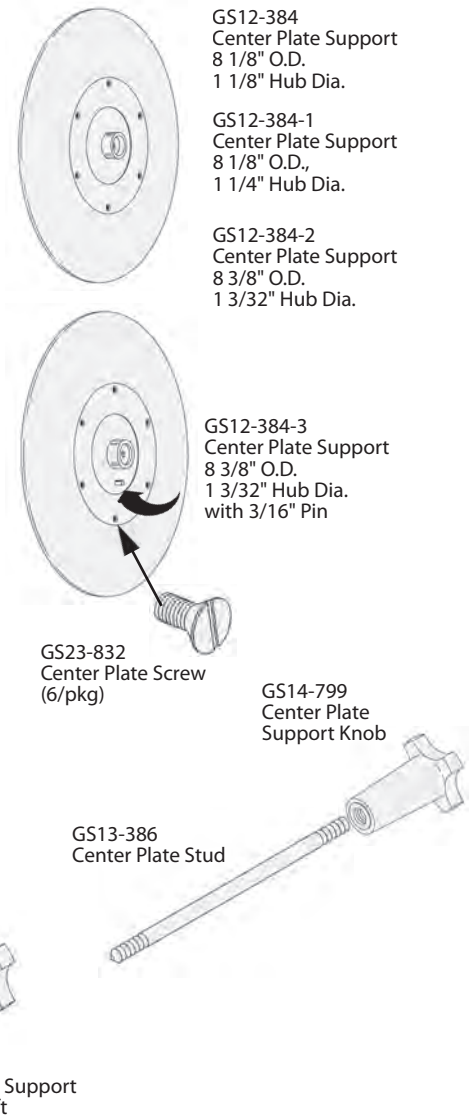
FITS MODELS

NBS P/N	OEM P/N	DESCRIPTION	150	260	510	610	660	710
GS08-747B	747-17B	Knife Gear - Bronze	X	X	X	X	X	X
GS08-747F	747-17	Knife Gear - Fiber	X	X	X	X	X	X
GS08-747P	747-17N	Knife Gear - Plastic	X	X	X	X	X	X
GS09-373	373	Motor Gear	X	X	X	X	X	X
GS18-377	377	Knife Plate Bearing	X	X	X	X	X	X
GS20-380	G-0126	Knife Plate Seal (1.85" O.D.)X			X			
GS21-382-2	382-2	Knife Plate Seal (2.00" O.D.)	X	X		X	X	
GS32	747-16	Knife Hub Spiral Lock RingX	X	X	X	X	X	
GS40-381	381-A	Knife Plate Shim (12/pkg - Assorted Thickness)	X	X	X	X	X	X
GS41-381A	381-A	Knife Plate Shim - Brass (12/pkg - 1/16" Thickness)	X	X	X	X	X	X
GS49-383	383	Knife Plate Washer	X	X	X	X	X	X
GS57-370	370	Felt Seal	X	X	X	X	X	X
GS74	395	Motor Gasket	X	X	X	X	X	X
GS77	391-1	Gear Housing Cover Gasket	X	X	X	X	X	X
GS145	747-8	Knife Shaft Nut -1 1/16" (Hex)	X	X	X	X	X	X
GS156	747-18	Gear Key	X	X	X	X	X	X
GS167	388	Knife Shaft (Ring Knife Hub)	X	X	X	X	X	X
GS173	747-4	Bearing Spacer - Large	X	X	X	X	X	X
GS174	747-3	Bearing Spacer - Small	X	X	X	X	X	X
GS183	972-9P	Knife Shaft Gasket	X	X	X	X	X	X
GS199R	N/A	REBUILT- Knife Hub Assy	X	X	X	X	X	
GSX100	N/A	Bearing Removal Tool Set (3 Pieces)						All Globe Models

KNIFE GUARDS



CENTER PLATE SUPPORTS



FITS MODELS

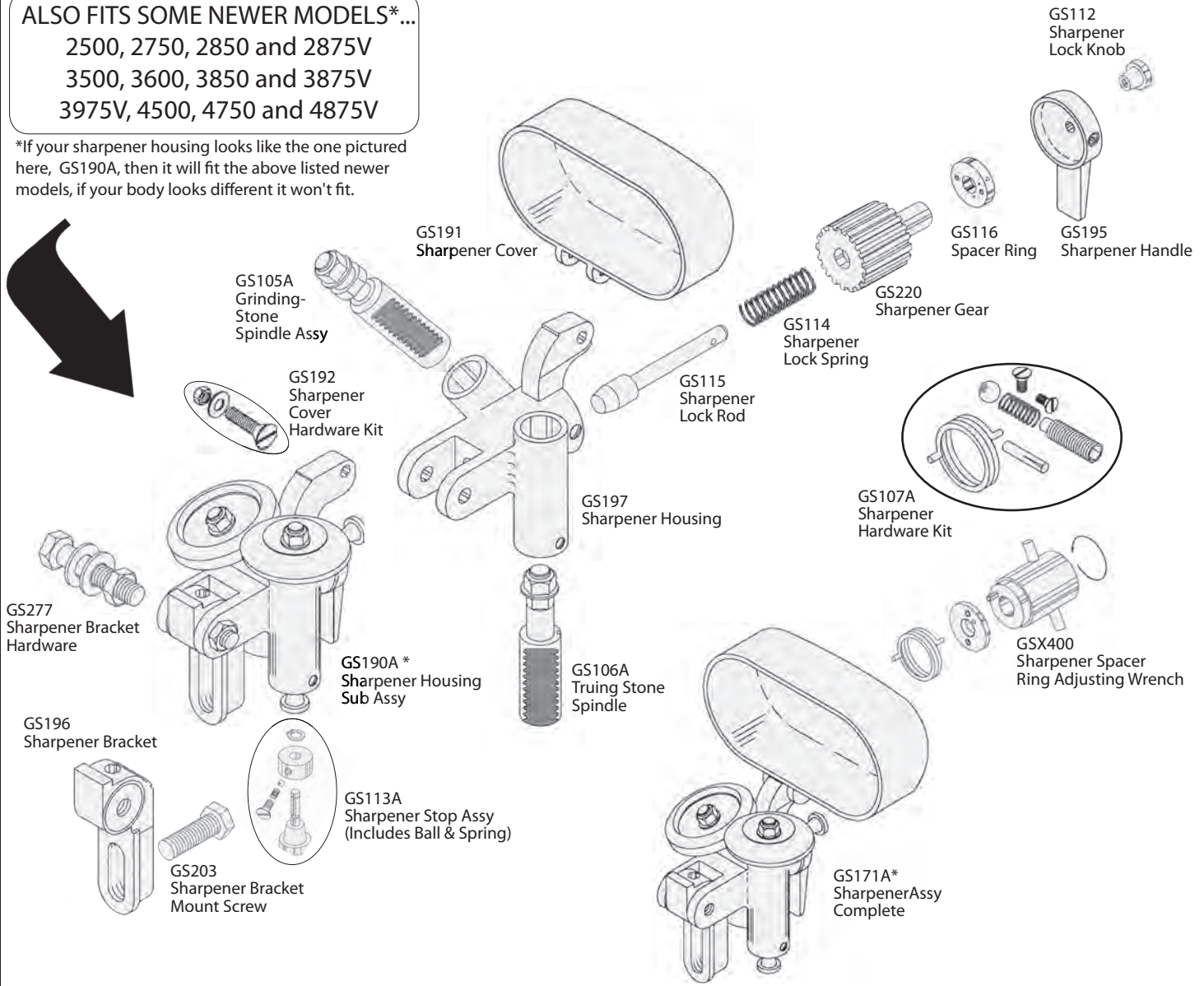
NBS P/N	OEM P/N	DESCRIPTION	75	150	285	300	400	500	510	610	660	685	710	715	720	725	760	765	770	775	815	820	825	2500	3500	4500
GS04-251	215-A	Blade Scraper	X	X	X				X	X	X	X	X	X			X	X			X					
GS05-253	253	Scraper Clamp Assy		X	X				X	X	X	X	X	X			X	X			X					
GS07	473	Knife Guard Hinge Bolt		X	X				X	X	X	X	X	X			X	X			X					
GS10-245	245	Knife Guard Nut		X	X				X	X	X	X	X	X			X	X			X					
GS11-246	476-246	Knife Guard Screw Head Stud		X	X				X	X	X	X	X	X			X	X			X					
GS12-384	384	Center Plate Support	X	X						X																
GS12-384-1	384-1	Center Plate Support							X		X		X													
GS12-384-2	384-2	Center Plate Support			X							X		X			X	X			X					
GS12-384-3	384-3	Center Plate Support				X	X	XL							X	XL			X	XL	X	XL				
GS13-386	386	Center Plate Stud	X	X	X	X	X	X	X	X	X	X	X	X	X	X	X	X	X	X	X	X	X	X	X	X
GS14-799	799	Center Plate Support Knob	X	X	X	X	X	X	X	X	X	X	X	X	X	X	X	X	X	X	X	X	X	X	X	X
GS15-822-6	822-6	Center Plate Support Knob & Shaft	X	X	X	X	X	X	X	X	X	X	X	X	X	X	X	X	X	X	X	X	X	X	X	X
GS23-832	261	Center Plate Screw (6/pkg)	X	X	X	X	X	XL	X	X	X	X	X	X	X	X	XL	X	X	X	XL	X	X	XL		
GS34	955-3	Hub Nut																						X	X	X
GS48A	829-1,2,3,4	Knife Scraper /Clamp Assy (N/S)				X	X	XL							X	XL			X	XL	X	XL				
GS50	829-2	Knife Scraper Blade (Nylon)				X	X	XL							X	XL			X	XL	X	XL				
GS82	943-2	Cover Knob																						X	X	X
GS83	726-6	Cover Knob Screw																					X	X	X	
GS109	444	Knife Guard (Aluminum - w/ Hinge Bolt)	X	X	X				X	X	X	X	X	X			X	X			X					
GS170A	915-5	Knife Guard Assy (No center plate support)				X	X	XL							X	XL			X	XL	X	XL				
GS276	1056	Cover Knob Spring Loaded																								

X = Fits Regular Model Version / L = "L" Model Version

SHARPENER ASSEMBLIES

ALSO FITS SOME NEWER MODELS*...
 2500, 2750, 2850 and 2875V
 3500, 3600, 3850 and 3875V
 3975V, 4500, 4750 and 4875V

*If your sharpener housing looks like the one pictured here, GS190A, then it will fit the above listed newer models, if your body looks different it won't fit.

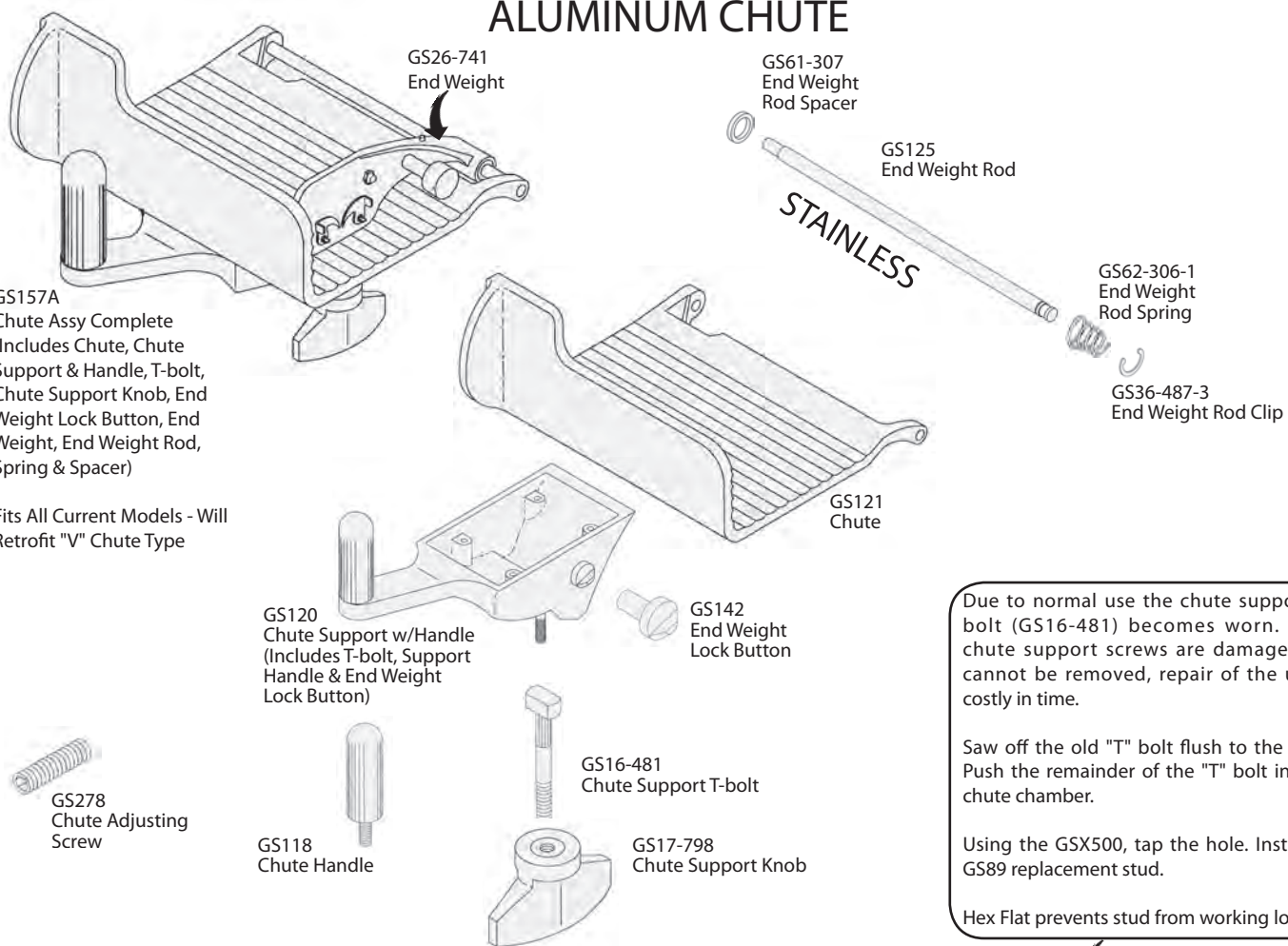


FITS MODELS

NBS P/N	OEM P/N	DESCRIPTION	75	150	285	300	400	500	510	610	660	685	710	715	720	725	760	765	770	775	815	820	825
GS105A	463-AS	Grinding Stone Spindle Assy	X	X	X	X	XL	X	X	X	X	X	X	X	X	XL	X	X	X	X	X	X	XL
GS106A	467-AS	Truing Stone Spindle	X	X	X	X	XL	X	X	X	X	X	X	X	X	XL	X	X	X	X	X	X	XL
GS107A	N/A	Sharpener Hardware Kit	X	X	X	X	XL	X	X	X	X	X	X	X	X	XL	X	X	X	X	X	X	XL
GS112	461	Sharpener Lock Knob	X	X	X	X	XL	X	X	X	X	X	X	X	X	XL	X	X	X	X	X	X	XL
GS113A	N/A	Sharpener Stop Assy	X	X	X	X	XL	X	X	X	X	X	X	X	X	XL	X	X	X	X	X	X	XL
GS114	458	Sharpener Lock Spring	X	X	X	X	XL	X	X	X	X	X	X	X	X	XL	X	X	X	X	X	X	XL
GS115	456-AS	Sharpener Lock Rod	X	X	X	X	XL	X	X	X	X	X	X	X	X	XL	X	X	X	X	X	X	XL
GS116	459	Spacer Ring	X	X	X	X	XL	X	X	X	X	X	X	X	X	XL	X	X	X	X	X	X	XL
GS171A	450-H-AS	Sharpener Assy Complete	X	X	X	X	XL	X	X	X	X	X	X	X	X	XL	X	X	X	X	X	X	XL
GS190A	10-A-1	Sharpener Cover	X	X	X	X	XL	X	X	X	X	X	X	X	X	XL	X	X	X	X	X	X	XL
GS191	825	Sharpener Cover	X	X	X	X	XL	X	X	X	X	X	X	X	X	XL	X	X	X	X	X	X	XL
GS192	825-1, -2, -3	Sharpener Cover Hardware Kit	X	X	X	X	XL	X	X	X	X	X	X	X	X	XL	X	X	X	X	X	X	XL
GS195	495	Sharpener Handle	X	X	X	X	XL	X	X	X	X	X	X	X	X	XL	X	X	X	X	X	X	XL
GS196	448	Sharpener Bracket	X	X	X	X	XL	X	X	X	X	X	X	X	X	XL	X	X	X	X	X	X	XL
GS197	450-H	Sharpener Housing	X	X	X	X	XL	X	X	X	X	X	X	X	X	XL	X	X	X	X	X	X	XL
GS203	477	Sharpener Bracket Mount Screw	X	X	X	X	XL	X	X	X	X	X	X	X	X	XL	X	X	X	X	X	X	XL
GS220	455	Sharpener Gear	X	X	X	X	XL	X	X	X	X	X	X	X	X	XL	X	X	X	X	X	X	XL
GS277	475	Sharpener Bracket Hardware	X	X	X	X	XL	X	X	X	X	X	X	X	X	XL	X	X	X	X	X	X	XL
GSX400	N/A	Sharpener Spacer Ring Adjusting Wrench	X	X	X	X	XL	X	X	X	X	X	X	X	X	XL	X	X	X	X	X	X	XL

X = Fits Regular Model Version / L = "L" Model Version

ALUMINUM CHUTE

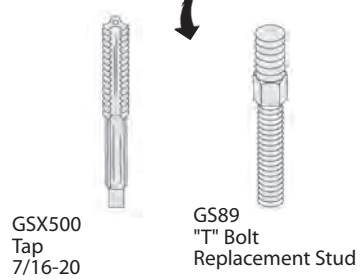
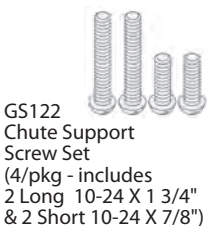


Due to normal use the chute support "T" bolt (GS16-481) becomes worn. If the chute support screws are damaged and cannot be removed, repair of the unit is costly in time.

Saw off the old "T" bolt flush to the chute. Push the remainder of the "T" bolt into the chute chamber.

Using the GSX500, tap the hole. Install the GS89 replacement stud.

Hex Flat prevents stud from working loose.



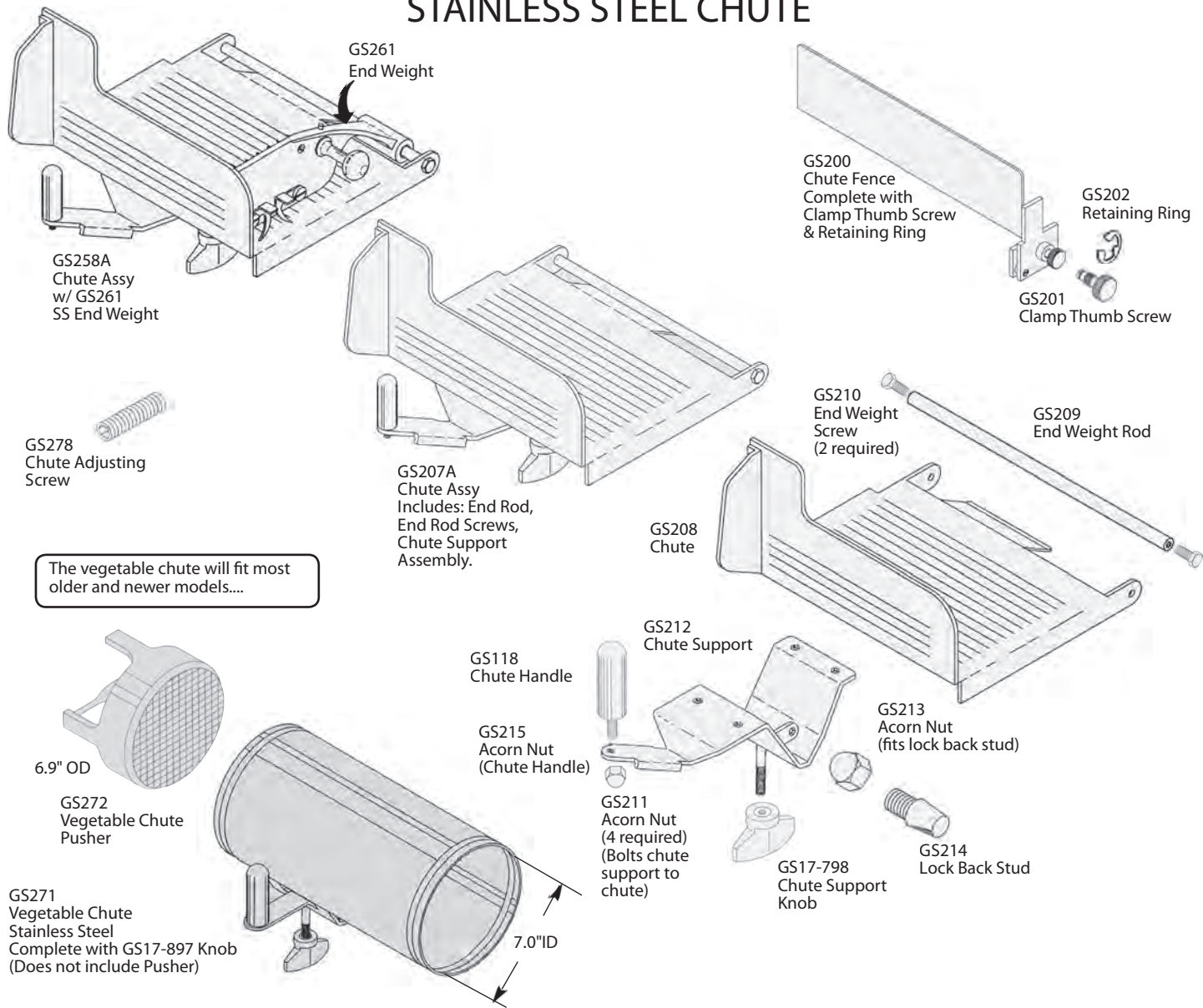
FITS MODELS

NBS P/N	OEM P/N	DESCRIPTION	75	150	285	300	400	500	510	610	660	685	710	715	720	725	760	765	770	775	815	820	825
GS16-481	481-1	Chute Support T-bolt		X	X	X	X	XL	X	X	X	X	X	X	X	XL	X	X	X	XL	X	X	XL
GS17-798	798	Chute Support Knob	X	X	X	X	X	XL	X	X	X	X	X	X	X	XL	X	X	X	XL	X	X	XL
GS36-487-3	487-3	End Weight Rod Clip	X	X	X	X	X	XL	X	X	X	X	X	X	X	XL	X	X	X	XL	X	X	XL
GS61-307	307-1	End Weight Rod Spacer	X	X	X	X	X	XL	X	X	X	X	X	X	X	XL	X	X	X	XL	X	X	XL
GS62-306-1	306-1	End Weight Rod Spring	X	X	X	X	X	XL	X	X	X	X	X	X	X	XL	X	X	X	XL	X	X	XL
GS89	N/A	"T" Bolt Replacement Stud		X	X	X	X	XL	X	X	X	X	X	X	X	XL	X	X	X	XL	X	X	XL
GS118	482-B	Chute Handle		X	X	X	X	XL	X	X	X	X	X	X	X	XL	X	X	X	XL	X	X	XL
GS120	743-AS	Chute Support w/Handle		X	X	X	X	XL	X	X	X	X	X	X	X	XL	X	X	X	XL	X	X	XL
GS121	740	Chute		X	X	X	X	XL	X	X	X	X	X	X	X	XL	X	X	X	XL	X	X	XL
GS122	439-1,-2	Chute Support Screw Set (4/pkg)		X	X	X	X	XL	X	X	X	X	X	X	X	XL	X	X	X	XL	X	X	XL
GS125	741-1	End Weight Rod			X	X	X	XL				X		X	XL			X	XL			X	XL
GS142	499	End Weight Lock Button		X	X	X	X	XL	X	X	X	X	X	X	X	XL	X	X	X	XL	X	X	XL
GS157A	102-AS-6	Chute Assy Complete		X	X	X	X	XL	X	X	X	X	X	X	X	XL	X	X	X	XL	X	X	XL
GS278	167-1	Chute Adjusting Screw		X	X	X	X	XL	X	X	X	X	X	X	X	XL	X	X	X	XL	X	X	XL
GSX500	N/A	Tap		X	X	X	X	XL	X	X	X	X	X	X	X	XL	X	X	X	XL	X	X	XL

X = Fits Regular Model Version / L = Fits "L" Model Version



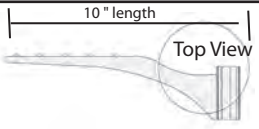
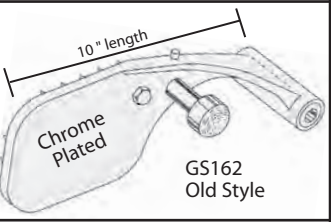
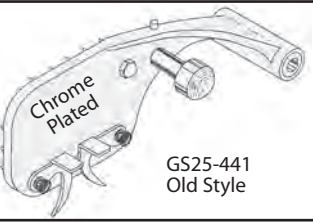
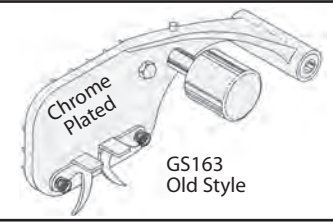







STAINLESS STEEL CHUTE



FITS MODELS

NBS PARTS	OEM P/N	DESCRIPTION	2500	2750	2850	2875V	3500	3600	3750	3850	3875V	3975	4500	4750	4875V
GS17-798	798-B	Chute Support Handle	X	X	X	X	X	X	X	X	X	X	X	X	X
GS118	452-B	Chute Handle	X	X	X	X	X	X	X	X	X	X	X	X	X
GS200	940-9ST	Chute Fence	X	X	X	X	X	X	X	X	X	X	X	X	X
GS201	940-6	Clamp Thumb Screw	X	X	X	X	X	X	X	X	X	X	X	X	X
GS202	940-10	Retaining Ring	X	X	X	X	X	X	X	X	X	X	X	X	X
GS207A	102-AS-X	Chute Assy	X	X	X	X	X	X	X	X	X	X	X	X	X
GS208	962-5	Chute	X	X	X	X	X	X	X	X	X	X	X	X	X
GS209	962-18S	End Weight Rod	X	X	X	X	X	X	X	X	X	X	X	X	X
GS210	962-17	End Weight Screw	X	X	X	X	X	X	X	X	X	X	X	X	X
GS211	962-6	Mounting Acorn Nut (mounting)	X	X	X	X	X	X	X	X	X	X	X	X	X
GS212	962-1E	Chute Support	X	X	X	X	X	X	X	X	X	X	X	X	X
GS213	962-7	Acorn Nut (lock back stud)	X	X	X	X	X	X	X	X	X	X	X	X	X
GS214	962-5	Lock Back Stud	X	X	X	X	X	X	X	X	X	X	X	X	X
GS215	699-32	Acorn Nut (chute handle)	X	X	X	X	X	X	X	X	X	X	X	X	X
GS258A	102-AS-13	Chute Assy	X	X	X	X	X	X	X	X	X	X	X	X	X
GS271	699-1W	Vegetable Chute - Stainless Steel	X	X	X	X	X	X	X	X	X	X	X	X	X
GS272	699-18	Vegetable Chute Pusher	X	X	X	X	X	X	X	X	X	X	X	X	X
GS278	167-1	Chute Adjusting Screw	X	X	X	X	X	X	X	X	X	X	X	X	X

END WEIGHTS

	ASSEMBLY w/o PRONGS	ASSEMBLY w/ PRONGS	ASSEMBLY w/ PRONGS/ HEAVY HANDLE
 10" length Top View OLD STYLE Fits - 150, 510, 610, 660, 710, 760 Except V-Chute	 10" length Chrome Plated GS162 Old Style	 Chrome Plated GS25-441 Old Style	 Chrome Plated GS163 Old Style
 Top View NEW STYLE Fits - 285, 300, 400, 500, 500L, 685, 715, 725, 725L, 765, 770, 741PC, 775, 815, 820, 825, 825L Except V-Chute, 2500, 3500, 3600, 4500	 Chrome Plated GS164 New Style	 Chrome Plated GS26-741 New Style	 Chrome Plated GS166 New Style
 Top View Stainless Steel End Weight Fits - 2500, 2750, 2850V, 2875V, 3500, 3600, 3750, 3850, 3875V, 3975, 4500, 4875, 4875V With Stainless Steel Chute (NBS P/N GS207A)	 Stainless Steel GS260 End Weight - Manual	 Stainless Steel GS261 End Weight - Automatic	<div style="border: 1px solid black; padding: 5px; text-align: center;"> WWW.NBSPARTS.COM NEW PARTS, OEM CROSS REFERENCE, PLACE YOUR ORDERS </div>

GS27

End Weight Prongs
 Left & Right/Stainless
 (Sold as Set)



GS263
 Prong Fastener Set
 Fits SS End Weight
 (2 Sets per End Weight)

GS28
 Prong Fastener Set
 Fits All Chrome Plated
 End Weights
 (2 Sets per End Weight)

GS154
 End Weight Stud



GS31
 End Weight
 Handle & Stud



GS262
 End Weight Handle
 Stainless Steel



GS52-3H
 End Weight
 Heavy Handle

GS123A
 End Weight Lock Pin
 w/Acorn Nut



GS98
 End Weight Bushing
 Split Steel-
 (Fits all end weights above)



GS29
 Nylon Bumper - Package
 ((2) 1/4" Dia. & (2) 3/16" Dia.)

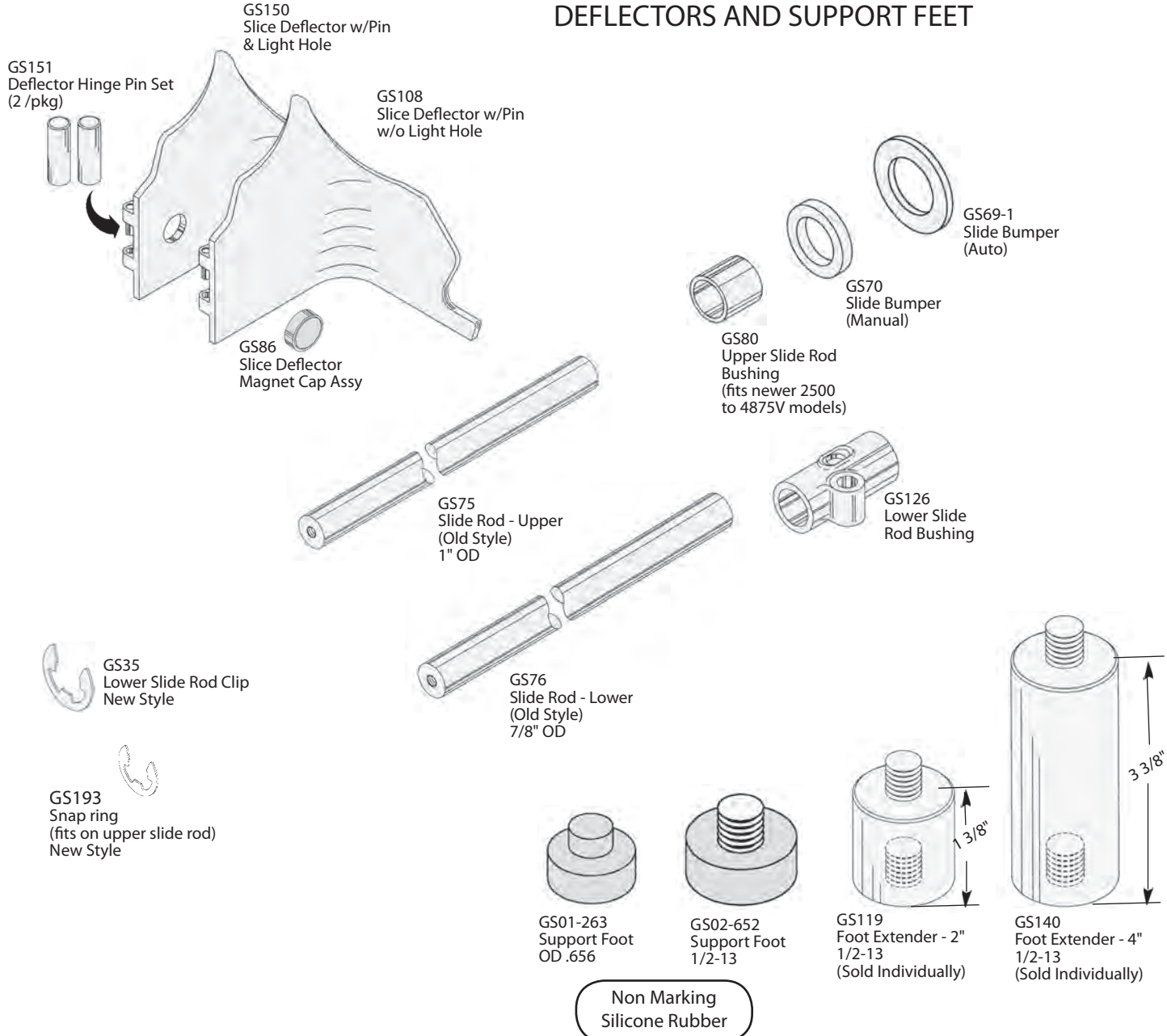


FITS MODELS

NBS P/N	OEM P/N	DESCRIPTION	75	150	285	300	400	500	510	610	660	685	710	715	720	725	760	765	770	775	815	820	825	2500	3500	3600	4500
GS25-441	441	End Weight Assembly (Old Style)		X																							
GS26-741	741	End Weight Assembly (New Style)			X	X	X	XL						X	X	XL	X	X	XL	X	X	XL	X	X	X	X	X
GS27	741-PC2/3	End Weight Prongs (Sold as Set)	X	X	X	X	X	XL	X	X	X	X	X	X	X	XL	X	X	XL	X	X	XL	X	X	X	X	X
GS28	741-PC 5,6,7	Prong Fastener Set	X	X	X	X	XL	X	X	X	X	X	X	X	XL	X	X	XL	X	X	XL	X	X	X	X	X	X
GS29	741-4/5A	Nylon Bumpers - Package (2) 1/4" Dia. & (2) 3/16" Dia)	X	X	X	X	X	XL	X	X	X	X	X	X	X	XL	X	X	XL	X	X	XL	X	X	X	X	X
GS31	741-3	End Weight Handle & Stud			X	X	X	XL				X		X	X	XL		X	X	XL	X	X	XL	X	X	X	X
GS52-3H	741-3H	End Weight Heavy Handle			X	X	X	XL				X		X	X	XL		X	X	XL	X	X	XL	X	X	X	X
GS98	741-6	End Weight Bushing Split Steel	X	X	X	X	X	XL	X	X	X	X	X	X	XL	X	X	XL	X	X	XL	X	X	XL	X	X	X
GS123A	741-3A + 2B	End Weight Lock Pin w/Acorn Nut			X	X	X	XL					X	X	XL			X	X	XL	X	X	XL	X	X	X	X
GS154	741-2	End Weight Stud		X	X	X	XL				X		X	X	XL		X	X	XL	X	X	XL	X	X	X	X	X
GS162	441	End Weight w/o Prongs		X					X	X	X		X				X										
GS163	741	End Weight w/Prongs & Heavy Handle		X					X	X	X		X				X										
GS164	741	End Weight w/o Prongs			X	X	X	XL				X		X	X	XL		X	X	XL	X	X	XL	X	X	X	X
GS166	741	End Weight w/ Heavy Handle			X	X	X	XL				X		X	X	XL		X	X	XL	X	X	XL	X	X	X	X
GS260	741-SS1	End Weight - Manual																				X	X	X	X	X	X
GS261	741-SS2	End Weight - Automatic																					X	X	X	X	X
GS262	741-SS3	End Weight Handle Stainless Steel																					X	X	X	X	X
GS263	741-SS4	Prong Fastener Set																				X	X	X	X	X	X

X = Fits Regular Model Version / L = Fits "L" Model Version

DEFLECTORS AND SUPPORT FEET

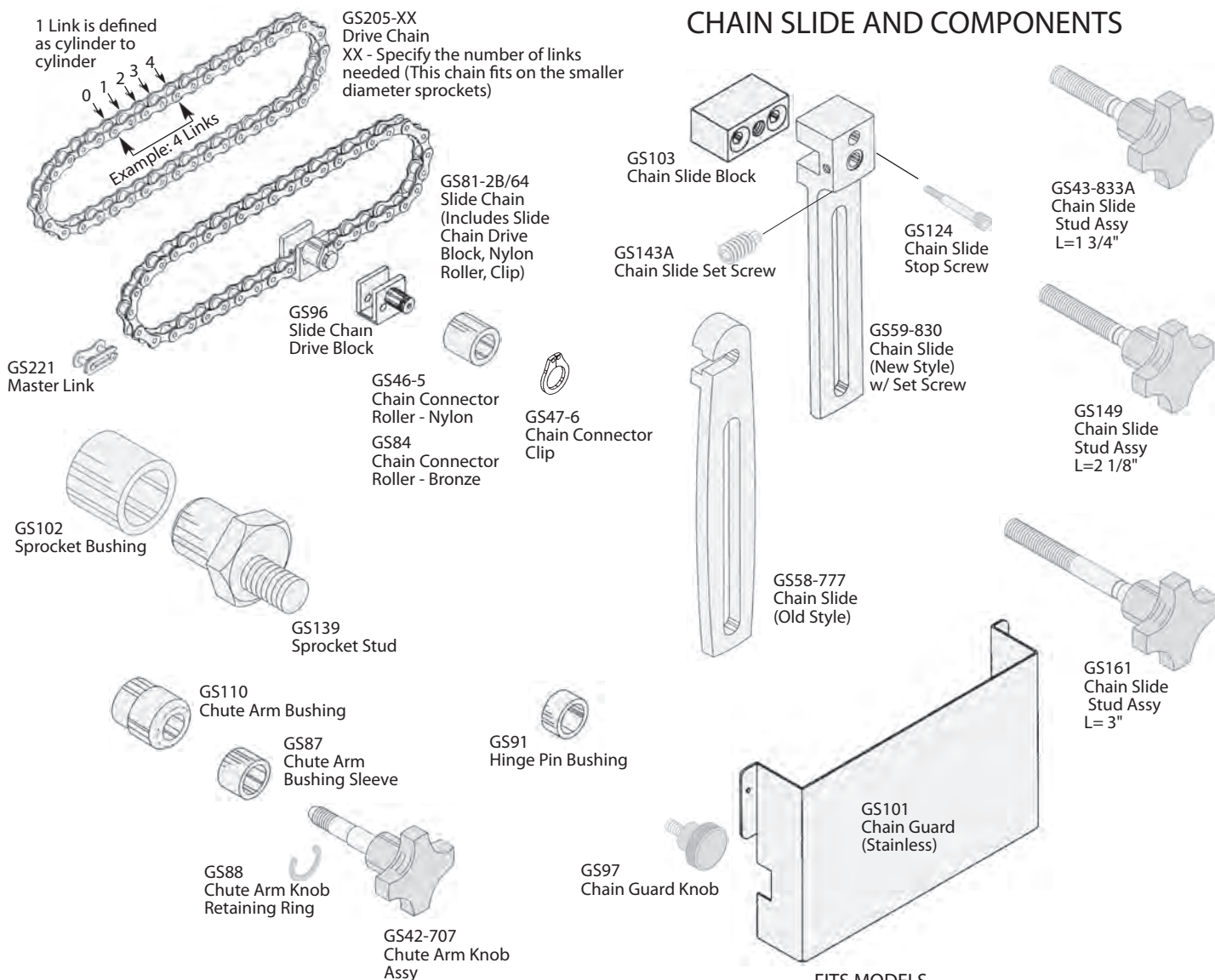


FITS MODELS

NBS P/N	OEM P/N	DESCRIPTION	75	150	285	300	400	500	510	610	660	685	710	715	720	725	760	765	770	775	815	820	825	2500	3500	4500
GS01-263	263	Support Foot	X	X						X	X															
GS02-652	652/817	Support Foot			X	X	X	XL	X			X	X	X	X	XL	X	X	X	XL	X	X	XL	X	X	X
GS35	858-1	Lower Slide Rod Clip				X	X	XL							X	XL	X	X	X	XL	X	X	XL	X	X	X
GS69-1	436-5NS	Slide Bumper (Auto)		X	X	X	X	XL	X	X	X	X	X	X	X	XL	X	X	X	XL	X	X	XL	X	X	X
GS70	436-1	Slide Bumper (Manual)		X	X	X	X	XL	X	X	X	X	X	X	X	XL	X	X	X	XL	X	X	XL	X	X	X
GS75	277	Slide Rod - Upper (Old Style)		X	X				X	X	X	X	X	X				X								
GS76	278	Slide Rod - Lower (Old Style)		X	X				X	X	X	X	X	X				X								
GS80	436-7	Upper Slide Rod Bushing																						X	X	X
GS86	739-AS	Slice Deflector Magnet Cap Assy				X	X	XL							X	X			X	XL		X	XL			
GS108	861	Slice Deflector w/Pin w/o Light Hole													X	X			X	XL		X	XL			
GS119	N/A	Foot Extender - 2" (Each)			X	X	X	XL	X			X	X	X	X	XL	X	X	X	XL	X	X	XL	X	X	X
GS126	449	Lower Slide Rod Bushing		X	X	X	X	XL	X	X	X	X	X	X	X	XL	X	X	X	XL	X	X	XL	X	X	X
GS140	873	Foot Extender - 4" (Each)			X	X	X	XL	X			X	X	X	X	XL	X	X	X	XL	X	X	XL	X	X	X
GS150	861L	Slice Deflector w/Pin & Light Hole				X	X	XL								XL				XL			XL			
GS151	739-3	Deflector Hinge Pin Set (2/pkg)			X	X	X	XL				X		X	X			X	X	XL	X	X	XL			
GS193	857-1	Snap Ring																					X		X	

X = Fits Regular Model Version / L = Fits "L" Model Version

CHAIN SLIDE AND COMPONENTS

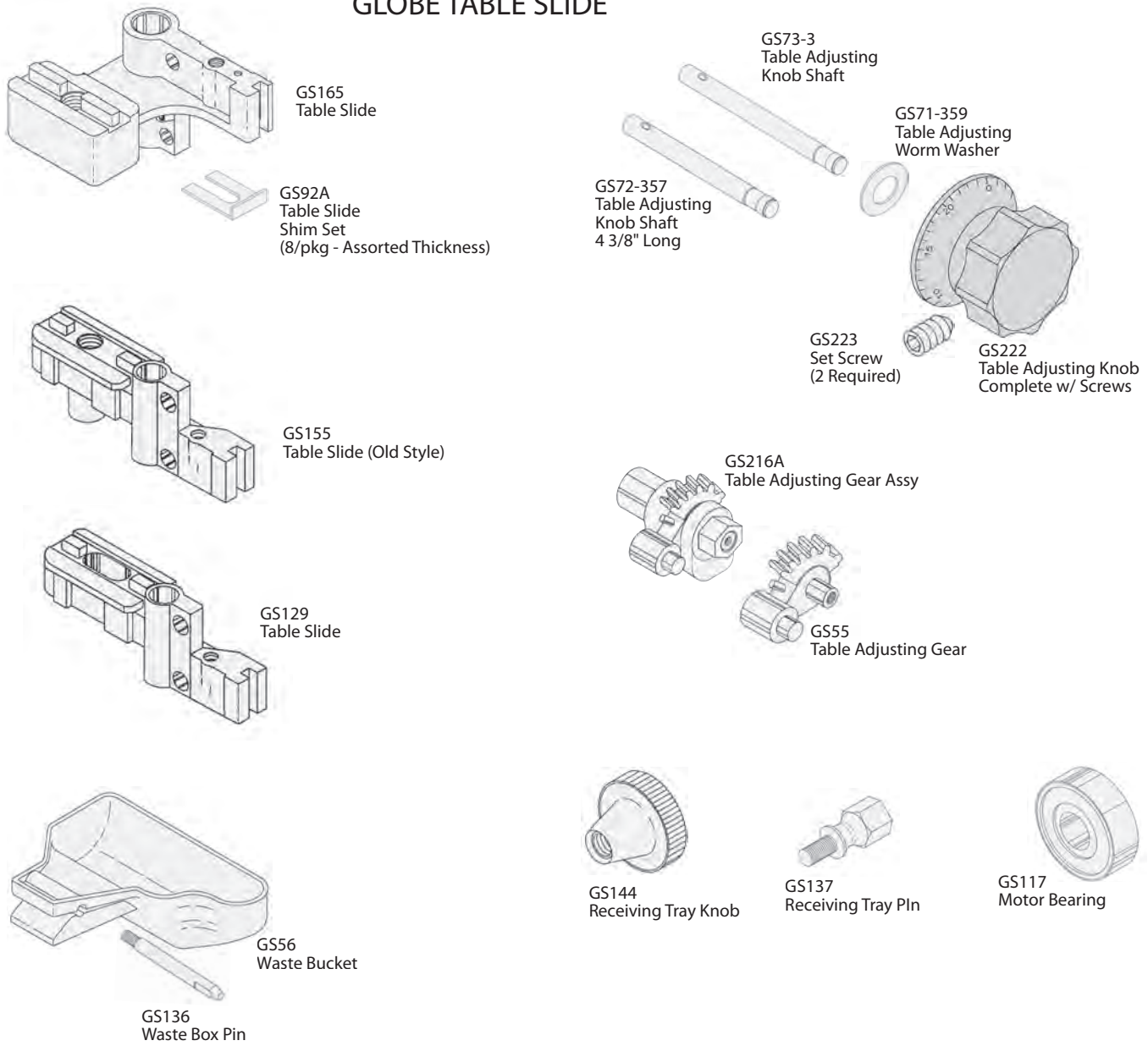


FITS MODELS

NBS P/N	OEM P/N	DESCRIPTION	75	150	285	300	400	500	510	610	660	685	710	715	720	725	760	765	770	775	815	820	825	2500	3500	4500
GS42-707	707-B	Chute Arm Knob Assy			X	X	X	XL			X	X														
GS43-833A	833A	Chain Slide Stud Assy													X	XL			X	XL		X	XL			
GS46-5	766-5	Chain Connector Roller (Nylon)												X	X	XL		X	X	XL	X	X	XL	X	X	X
GS47-6	766-6	Chain Connector Clip												X	X	XL		X	X	XL	X	X	XL	X	X	X
GS58-777	777	Chain Slide (Old Style)							X				X	X			X	X			X					
GS59-830	830	Chain Slide (New Style)													X	X			X	X		X	X			
GS81-2B/64	766-2B	Slide Chain (64 Links)													X	XL	X		X	XL		X	XL	X	X	X
GS84	766-5-5	Chain Connector Roller (Bronze)												X	X	XL		X	X	XL	X	X	XL	X	X	X
GS87	703-1	Chute Arm Bushing Sleeve			X	X	X	XL				X														
GS88	708	Chute Arm Knob Retaining Ring			X	X	X	XL				X														
GS91	705-1	Hinge Pin Bushing			X	X	X	XL				X														
GS96	612	Slide Chain Drive Block													X	XL			X	XL		X	XL			
GS97	821-4	Chain Guard Knob												X	X	XL		X	X	XL	X	X	XL			
GS101	820-890	Chain Guard (Stainless)												X	X	X		X	X	XL	X	X	XL			
GS102	762-4	Sprocket Bushing											X	X	X		X			XL		XL	X	X	X	X
GS103	831	Chain Slide Block													X	XL			X	XL		X	XL			
GS110	N/A	Chute Arm Bushing	X		X	X	X	XL		X	X		X	X	XL	X	X	X	X	XL	X	X	XL			
GS124	830-1	Chain Slide Stop Screw													X	X			X	XL		X	XL			
GS139	764-12	Sprocket Stud												X	X	XL		X	XL		X	XL	X	X	X	X
GS143A	830-2	Chain Slide Set Screw													X	XL			X	XL		X	XL			
GS149	833-A	Chain Slide Stud Assy												X	X			X	X	XL		X	XL			
GS161	909-1	Chain Slide Stud Assy							X				X	X	L		X		L	X		L				
GS205-XX	982-4	Drive Chain, XX-specify # of links																	X	X			X	X	X	X
GS221	610	Master Link													X	X					X	X	X	X	X	X

X = Fits Regular Model Version / L = Fits "L" Model Version

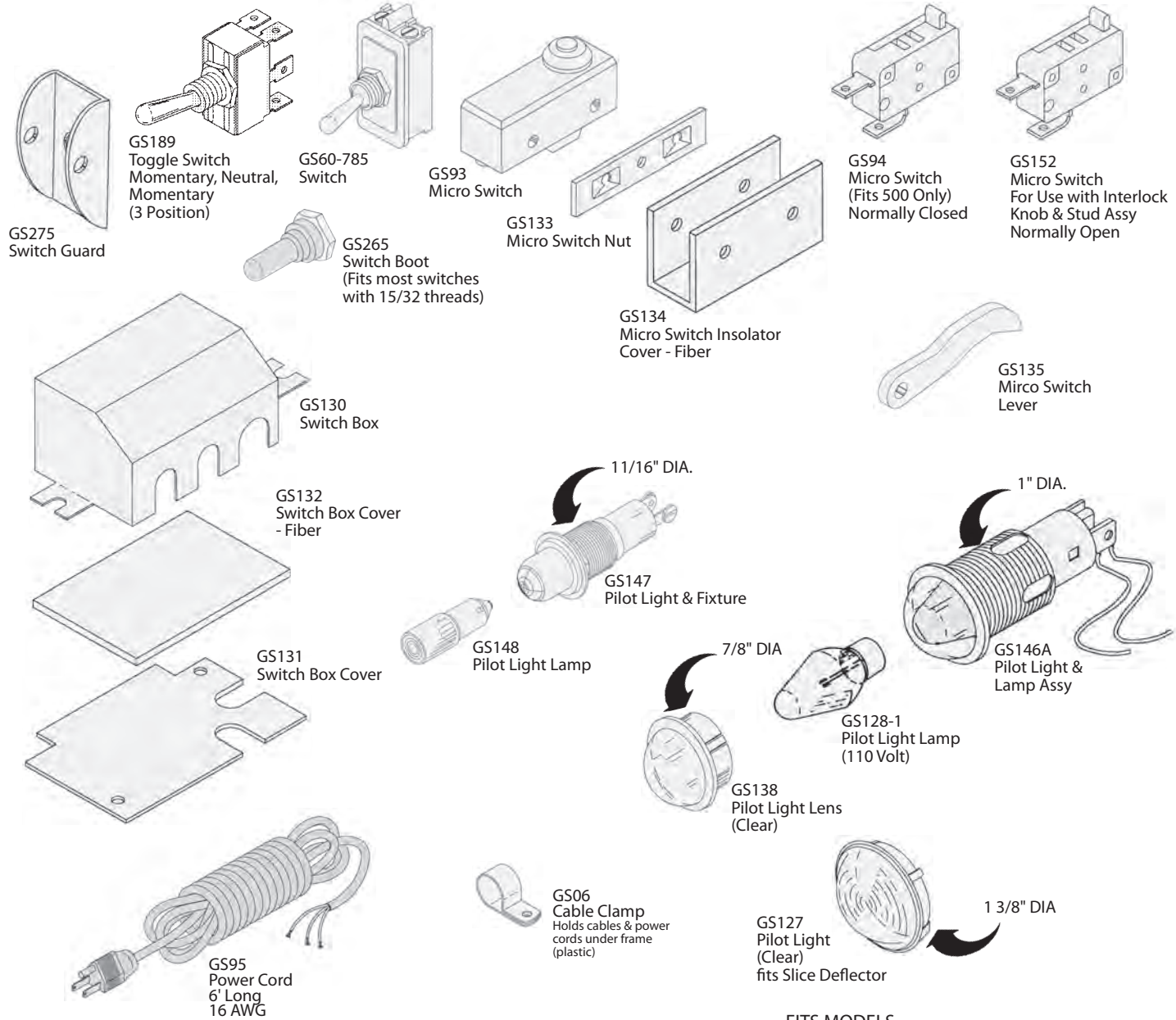
GLOBE TABLE SLIDE



FITS MODELS

NBS P/N	OEM P/N	DESCRIPTION	75	150	285	300	400	500	510	610	660	685	710	715	720	725	760	765	770	775	815	820	825	2500	3500	4500
GS55	453	Table Adjusting Gear		X	X	X	X	XL	X	X	X	X	X	X	X	XL	X	X	X	XL	X	X	XL	X	X	X
GS56	758	Waste Bucket			X	X	X	XL				X		X	X	XL	X	X	X	XL	X	X	XL	X	X	X
GS71-359	359	Table Adjusting Worm Washer			X	X	X	XL				X		X	X	XL		X	X	XL		X	XL	X	X	X
GS72-357	357	Table Adjusting Knob Shaft		X	X	X	X		X	X	X	X	X	X	X			X	X		X	X				
GS73-3	864	Table Adjusting Knob Shaft						XL								XL				XL			XL	X	X	X
GS92A	349-A	Table Slide Shim Set (12/pkg)	X	X	X	X	X	XL	X	X	X	X	X	X	X	XL	X	X	X	XL	X	X	XL	X	X	X
GS117	N/A	Motor Bearing	X	X	X	X	X	X	X	X	X	X	X	X	X	X	X	X	X	X	X	X	X	X	X	X
GS129	757	Table Slide			X	X	X					X	X	X				X	X		X	X				
GS136	758-1	Waste Box Pin			X	X	X	XL				X		X	X	XL		X	X	XL	X	X	XL			
GS137	791	Receiving Tray Pin			X	X	X					X		X	X			X	X		X	X				
GS144	856-2	Receiving Tray Knob						XL								XL				XL						
GS155	493	Table Slide (Old Style)		X					X	X	X		X													
GS165	863	Table Slide						XL								XL				XL			XL			
GS216A	453-AS	Table Adjusting Gear Assy		X	X	X	X	XL	X	X	X	X	X	X	X	XL	X	X	X	XL	X	X	XL	X	X	X
GS222	407-1B	Table Adjusting Knob w/ Set Screw	X	X	X	X	X	XL	X	X	X	X	X	X	X	XL	X	X	X	XL	X	X	XL	X	X	X
GS223	356-1	Set Screw (2 Required)	X	X	X	X	X	X	X	X	X	X	X	X	X	X	X	X	X	X	X	X	X	X	X	X

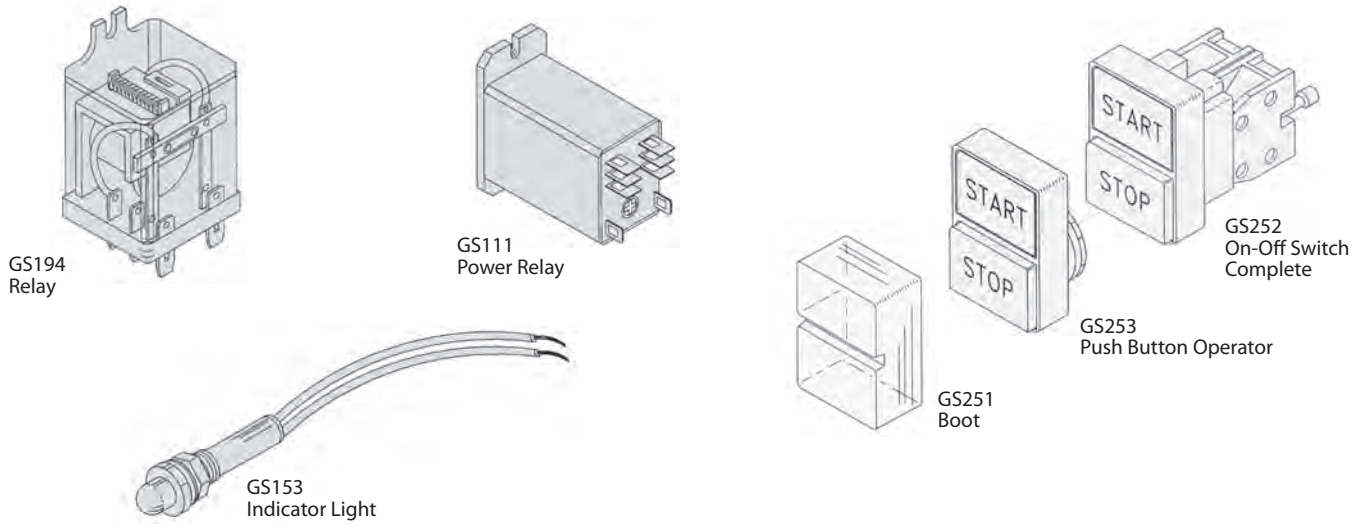
X = Fits Regular Model Version / L = Fits "L" Model Version



FITS MODELS

NBS P/N	OEM P/N	DESCRIPTION	285	500	510	660	685	710	715	720	725	760	765	770	775	815	820	825	2500	3500	3750	3875V	4500	4750	4875
GS06	869-A2	Cable Clamp																	X	X				X	
GS60-785	785	Switch	X	XL	X	X	X	X	X	X	XL	X	X	X	XL	X	X	XL							
GS93	513	Micro Switch	X			X	X					X													
GS94	855	Micro Switch (Fits 500 Only)		X																					
GS95	132-3	Power Cord	X	XL	X	X	X	X	X	X	XL	X	X	X	XL	X	X	XL							
GS127	711	Pilot Light Lens (Clear)		XL							L				L		L								
GS128-1	710-1	Pilot Light Lamp (110Volt)		L							L				L		L								
GS130	774-1	Switch Box	X		X	X	X	X	X	X				X	X		X	X							
GS131	497-1	Switch Box Cover	X		X	X	X	X	X	X				X	X		X	X							
GS132	497-2	Switch Box Cover - Fiber	X		X	X	X	X	X	X				X	X		X	X							
GS133	513-1	Micro Switch Nut	X			X	X					X													
GS134	513-3	Micro Switch Insulator Cover - Fiber	X			X	X					X													
GS135	514	Micro Switch Lever	X			X	X					X													
GS138	712	Pilot Light Lens (Clear)		L													L		L						
GS146A	710	Pilot Light & Lamp Assy		L								L					L		L						
GS147	771-1	Pilot Light & Fixture											X	X	X										
GS148	771-2	Pilot Light Lamp											X	X	X										
GS152	854-1	Micro Switch		X							L				L			L	X	X					
GS189	952-8	Toggle Switch (3 Position)		LR															X	X	X	X	X	X	X
GS265	N/A	Switch Boot	X	XL	X	X	X	X	X	X	XL	X	X	X	XL	X	X	XL	X	X	X	X	X	X	X
GS275	970-6	Switch Guard	X	XL	X	X	X	X	X	X	XL	X	X	X	XL	X	X	XL	X	X	X	X	X	X	X

X = Fits Regular Model Version / L = Fits "L" Model Version



FITS MODELS

NBS P/N	OEM P/N	DESCRIPTION	500	500LR	725L	725LR	775L	775LR	825L	825LR	850L	850LR	875L	875LR	2500	2750	2850	2850V	2875V	3500	3600-B	3750	3875V	4750	4850	4875V
GS111	952-9	Power Relay													X	X		X	X	X		X	X			
GS153	952-11	Indicator Light	X	X	X	X	X	X	X	X	X	X	X	X	X	X		X	X							
GS194	140011	Relay																			X					
GS251	952-10-B	Boot			X				X	X	X	X	X	X	X	X		X	X			X	X	X	X	X
GS252	952-10	On-Off Switch Complete			X				X	X	X	X	X	X	X	X		X	X			X	X	X	X	X
GS253	952-10-OP	Push Button Operator			X				X	X	X	X	X	X	X	X		X	X			X	X	X	X	X
GS255	952-10-B5	Collar for On-Off Switch			X				X	X	X	X	X	X	X	X		X	X			X	X	X	X	X

X = Fits Regular Model Version / L = Fits "L" Model Version

SLICER KNIVES

Fits...
1612
1612E
1712
1712E
1812
1912
2612
2712
2812
2912



HSK-1
11 3/4" Diameter
Stainless Steel

Matching Stone
HST-1

Fits...
512



HSK-3
11 3/4" Diameter
Stainless Steel
3 Mounting Screw
Holes

Matching Stone
HST-1

Fits...
EDGE



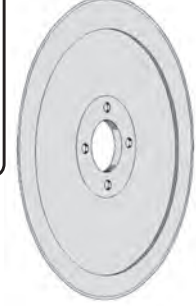
HSK-4
12" Diameter
Stainless Steel
3 Mounting Screw
Holes

Fits...
EDGE 12



HSK-5
12" Diameter
Stainless Steel
4 Mounting Screw
Holes

Fits...
HS6
HS7
HS8
HS9
HS3613
HS3813



HSK-6
13" Diameter
Stainless Steel

Fits...
HS6N
HS7N
HS8N
HS9N
HS3613N
HS3813N

HSK-N
13" Diameter
Stainless Steel
4 Mounting
Screw Holes



HT123
Safety Glove

This glove is ambidextrous...

See Pages:
187, 188, 189 and 190
For Sharpening Stone Sets
and Sharpening Assembly Units

HOBART

SLICER SAFETY COVERS



NEW

p/n Sticker Warning

Replacement Warning Sticker
for Tenderizer Safety Covers,
Universal, Can be used for
other applicatons



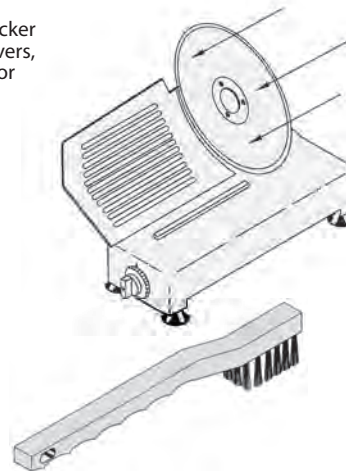
p/n Sticker Caution
Replacement Caution Sticker
for Tenderizer Safety Covers,
Universal, Can be used for
other applications

NEW



KC1
Knife Safety Cover
(Plastic) (NBS Lip design)
11" & 12" Slicer Knives

KC2
Knife Safety Cover
(Plastic) (NBS Lip design)
12 1/2" Slicer Knives



USX100
Stone Cleaning Brush
Stainless steel wire brush
helps to clean grease
clogged sharpening stones

Don't let the exposed razor-sharp
slicer knife becomes a hazard for
the slicer operator.

Use the KC1 or KC2 safety covers
to save FINGERS and \$\$\$\$\$.



Safety Glove
Universal Ambidextrous glove
that fits either Left or Right
Hands.
Great for protection agains
serious cuts.

FITS MODELS

NBS P/N	OEM P/N	DESCRIPTION	512	1512	1612	1612E	1712	1712E	1812	1912	2612	2712	2812	2912	Edge	Edge12
HSK-1	275913-1	Slicer Knife Stainless Steel			X	X	X	X	X	X	X	X	X	X		
HSK-3	275913-2	Slicer Knife Stainless Steel	X													
HSK-4	479446	Slicer Knife Stainless Steel													X	
HSK-5	915424	Slicer Knife Stainless Steel														X
KC1	N/C	Knife Safety Cover	CAN BE USED ON MOST MANUFACTURERS SLICING MACHINES													
KC2	N/C	Knife Safety Cover														
USX100	N/A	Stone Cleaning Brush														

KNIFE SHAFT HUB COMPONENTS AND ASSEMBLY

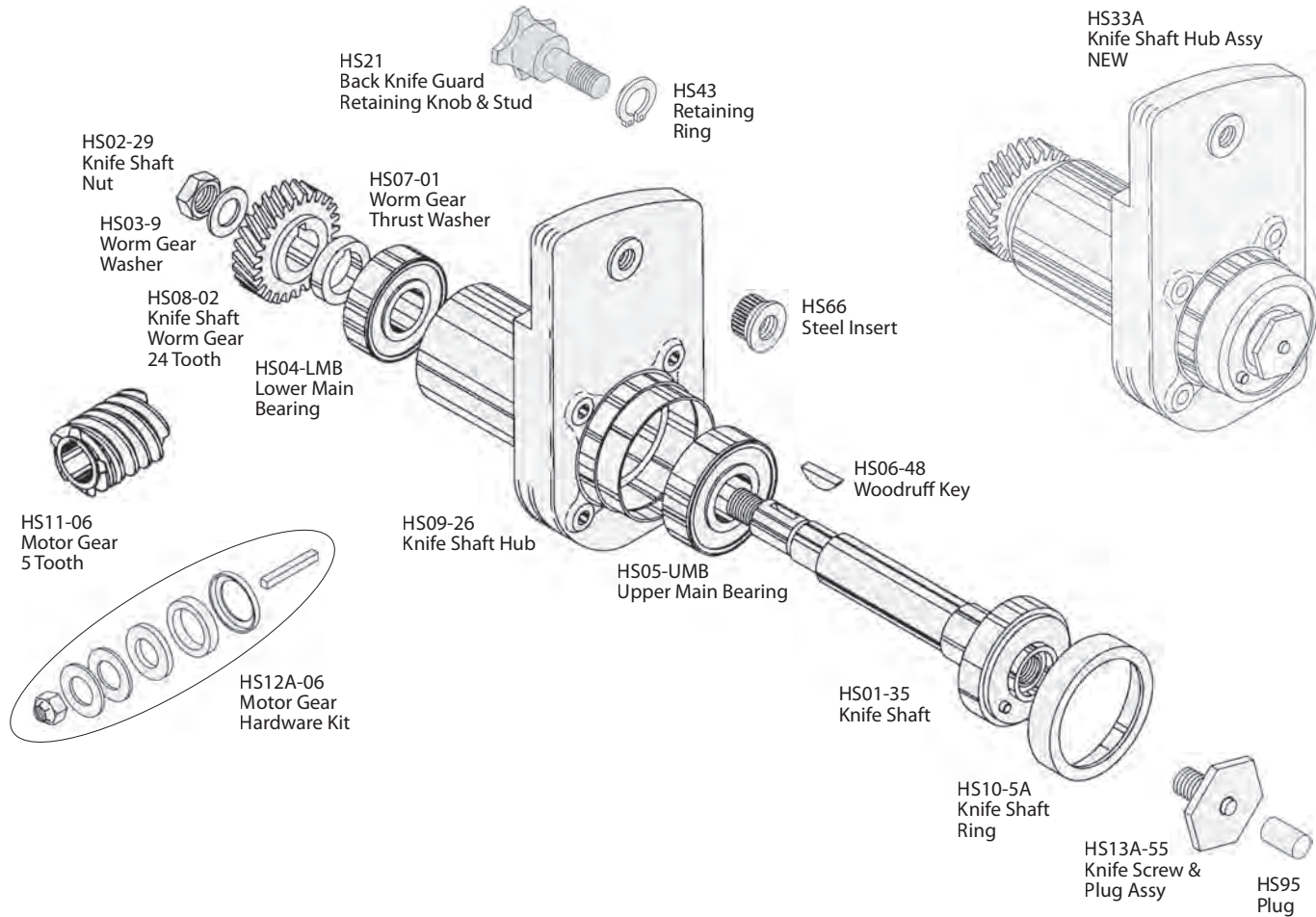
USE THESE NEW PARTS TO REBUILD YOUR HUB OR...
SEND YOUR REBUILDABLE HUB TO NBS Parts AND WE WILL REBUILD IT AND SHIP IT BACK TO YOU

PLEASE USE THE REBUILD ORDER FORM LOCATED ON PAGE 203. PLEASE KEEP COPIES OF THIS FROM AND PLACE IT IN THE BOX WITH EACH REBUILD ORDER, COMPLETED.

NEW OR REBUILT

 HS70R Knife Shaft Hub Assy **YOUR REBUILDABLE HUB**

HS33A Knife Shaft Hub Assy **NEW**

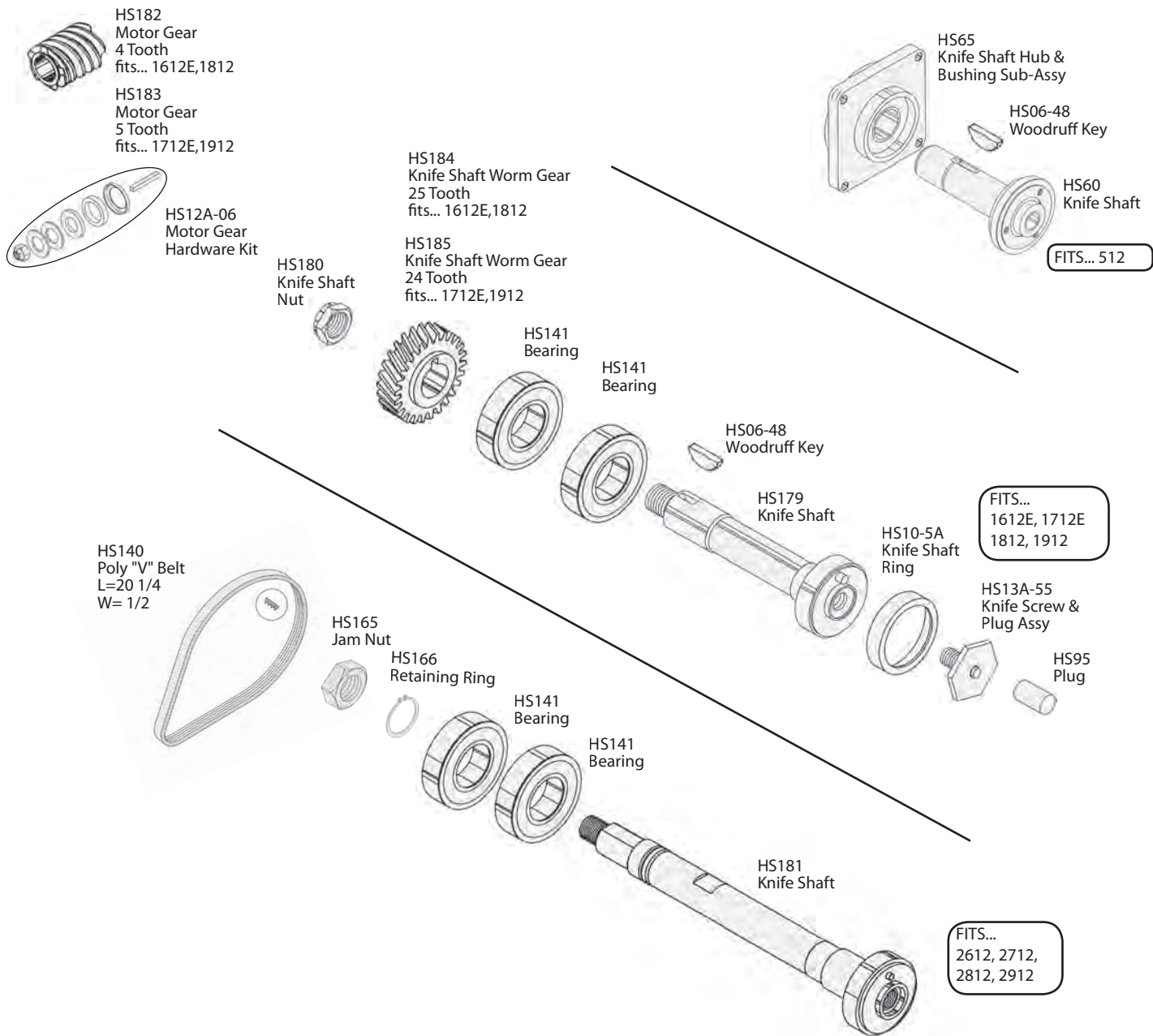


FITS MODELS

NBS P/N	OEM P/N	DESCRIPTION	512	1612	1612E	1712	1712E	1812	1912	2612	2712	2812	2912
HS01-35	P-70435	Knife Shaft		X		X							
HS02-29	NS-32-29	Knife Shaft Nut		X		X							
HS03-9	WS-8-9	Worm Gear Washer		X		X							
HS04-LMB	BB-18-43	Lower Main Bearing		X		X							
HS05-UMB	BB-16-22	Upper Main Bearing		X		X							
HS06-48	M-73348	Woodruff Key		X		X							
HS07-01	V-104001	Worm Gear Thrust Washer		X		X							
HS08-02	M-70302	Knife Shaft Worm Gear -24 Tooth		X		X							
HS09-26	P-88726	Knife Shaft Hub		X		X							
HS10-5A	B-111154	Knife Shaft Ring	X	X	X	X	X	X	X				
HS11-06	C-291221	Motor Gear -5 Tooth		X		X							
HS12A-06	N/A	Motor Gear Hardware Kit		X	X	X	X	X	X				
HS13A-55	M-73355	Knife Screw & Plug Assy		X	X	X	X	X	X	X	X	X	X
HS21	P-118484	Back Knife Guard Retaining Knob & Stud		X		X							
HS33A	P-70348	Knife Shaft Hub Assy NEW		X		X							
HS43	RR-10-18	Retaining Ring											
HS66	70314-1	Steel Insert		X		X							
HS70R	N/A	Knife Shaft Hub Assy - REBUILT		X		X							
HS95	72265	Plug		X	X	X	X	X	X	X	X	X	X

HOBART

MOTOR AND KNIFE SHAFT COMPONENTS

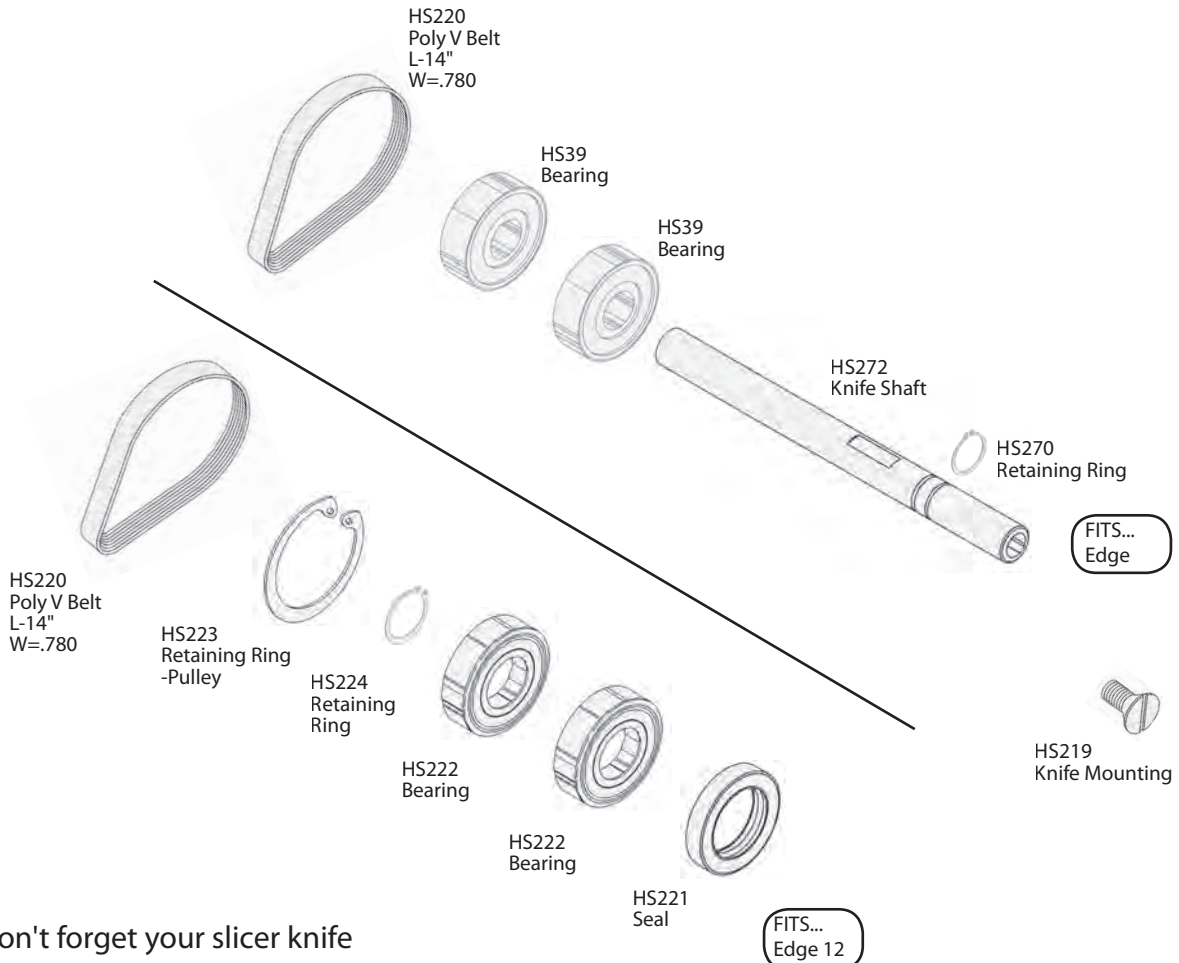


FITS MODELS

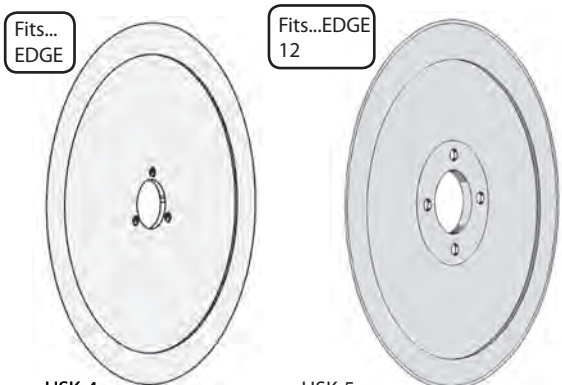
NBS P/N	OEM P/N	DESCRIPTION	512	1612	1612E	1712	1712E	1812	1912	2612	2712	2812	2912
HS06-48	M-73348	Woodruff Key		X		X							
HS10-5A	B-111154	Knife Shaft Ring	X	X	X	X	X	X	X				
HS12A-06	N/A	Motor Gear Hardware Kit		X	X	X	X	X	X				
HS13A-55	73355	Knife Screw & Plug		X	X	X	X	X	X	X	X	X	X
HS60	B-114141	Knife Shaft	X										
HS65	B-120144	Knife Shaft Hub & Bushing Sub-Assy	X										
HS95	72265	Plug		X	X	X	X	X	X	X	X	X	X
HS140	438845	Poly "V" Belt								X	X	X	X
HS141	BB-15-8	Bearing			X		X	X	X	X	X	X	X
HS165	NS-017-41	Jam Nut								X	X	X	X
HS166	RR-009-07	Retaining Ring								X	X	X	X
HS179	435785	Knife Shaft			X		X	X	X				
HS180	NS-046-29	Knife Shaft Nut			X		X	X	X				
HS181	438915-2	Knife Shaft								X	X	X	X
HS182	294193	Motor Gear, 4 Tooth			X			X					
HS183	437575	Motor Gear, 5 Tooth					X		X				
HS184	274908-1	Knife Shaft Worm Gear - 25 Tooth			X			X					
HS185	274908-2	Knife Shaft Worm Gear - 24 Tooth					X		X				

HOBART

FITS... Edge & Edge 12



Don't forget your slicer knife



HSK-4
12" Diameter
Stainless Steel
3 Mounting Screw Holes

HSK-5
12" Diameter
Stainless Steel
4 Mounting Screw Holes



HS219
Knife Mounting
Screw 5mm
.8 x 16 slotted

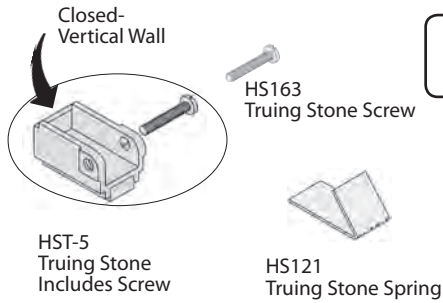
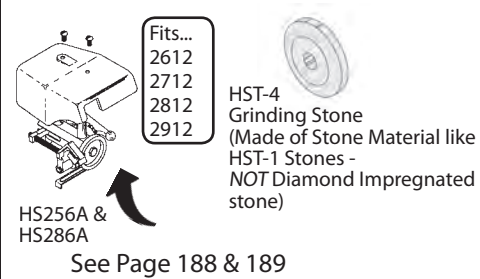
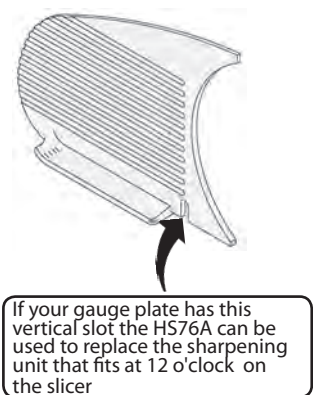
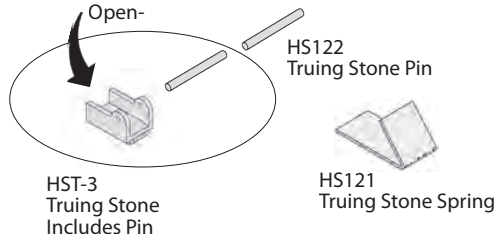
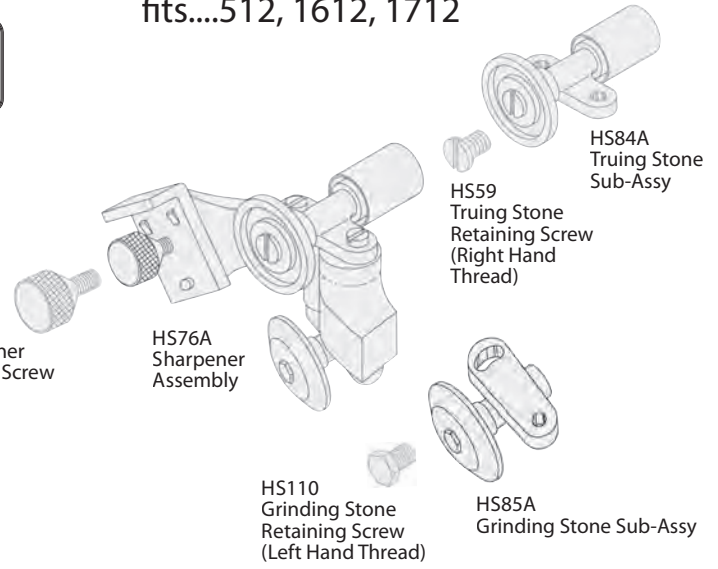
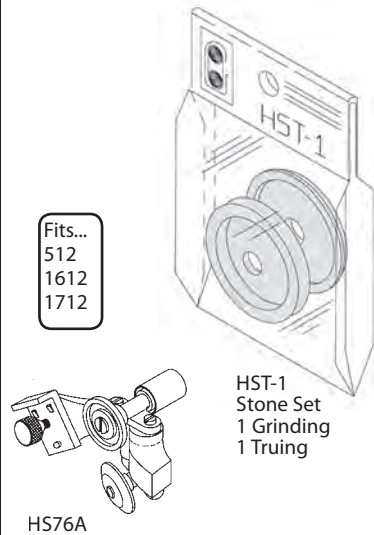
NBS P/N	OEM P/N	DESCRIPTION	FITS MODELS	
			EDGE	EDGE 12
HS39	BB-020-18	Bearing	X	
HS219	SC-118-36	Knife Mounting Screw	X	
HS220	479391	Poly "V" Belt	X	X
HS221	915430/915441	Seal		X
HS222	915433	Bearing		X
HS223	01-400825-71	Retaining Ring - Pulley		X
HS224	01-400825-72	Retaining Ring - Shaft		X
HS270	RR-04-18	Retaining Ring	X	
HS272	479364	Knife Shaft	X	

HOBART

SHARPENER STONES

SHARPENER ASSEMBLY fits....512, 1612, 1712

See Page 183
For Hobart Slicer Knives



HST-3 and HST-5 look similar...
HST-5 has a vertical wall that is necessary to hold the spring in place

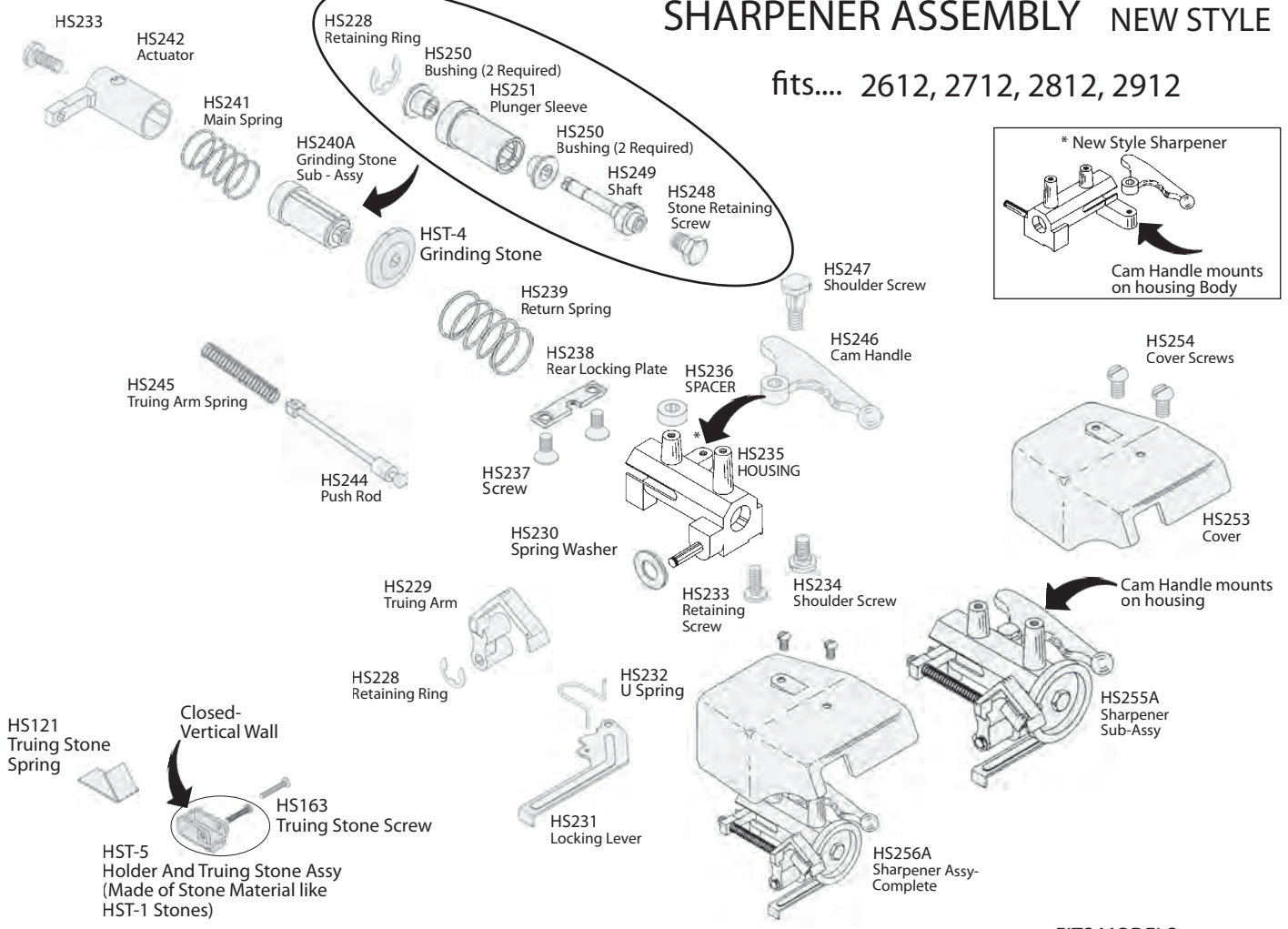
FITS MODELS

NBS P/N	OEM P/N	DESCRIPTION	512	1612	1612E	1712	1712E	1812	1912	2612	2712	2812	2912
HS59	M-32404-7	Truing Stone Retaining Screw	X	X		X							
HS72	B-109072	Sharpener Thumb Screw	X	X		X							
HS76A	B-122794-4	Sharpener Assy	X	X		X							
HS84A	M-73979	Truing Stone Sub-Assy	X	X		X							
HS85A	M-74007	Grinding Stone Sub-Assy	X	X		X							
HS110	74833	Grinding Stone Retaining Screw	X	X		X							
HS121	435324	Truing Stone Spring			X		X	X	X	X	X	X	X
HS122	PG-7-40	Truing Stone Pin			X		X	X	X				
HS163	SC-122-84	Truing Stone Screw								X	X	X	X
HST-1	73851/13201	Grinding and Truing Stones	X	X		X							
HST-2	437847	Grinding Stone			X		X	X	X				
HST-3	119882	Truing Stone			X		X	X	X				
HST-4	439691	Grinding Stone								X	X	X	X
HST-5	478747	Truing Stone								X	X	X	X
HS256A	873847-1	Sharpener Assy Complete 2612-2912								X	X	X	X
HS280A	274926	Sharpener Assy Complete 1612-1912			X		X	X	X				
HS286A	873547-1	Sharpener Assy (Cam Handle On Slicer)								X	X	X	X

HOBART

SHARPENER ASSEMBLY NEW STYLE

fits.... 2612, 2712, 2812, 2912



See Page 183
For Hobart Slicer Knives

- Fits...
- 1612
 - 1612E
 - 1712
 - 1712E
 - 1812
 - 1912
 - 2612
 - 2712
 - 2812
 - 2912



HSK-1
11 3/4" Diameter
Stainless Steel



HT123
Safety Glove
Cloth w/ Steel Wire

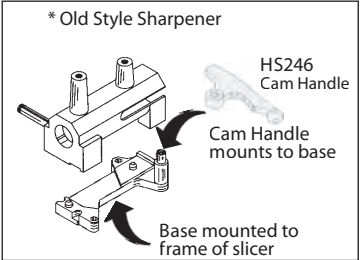
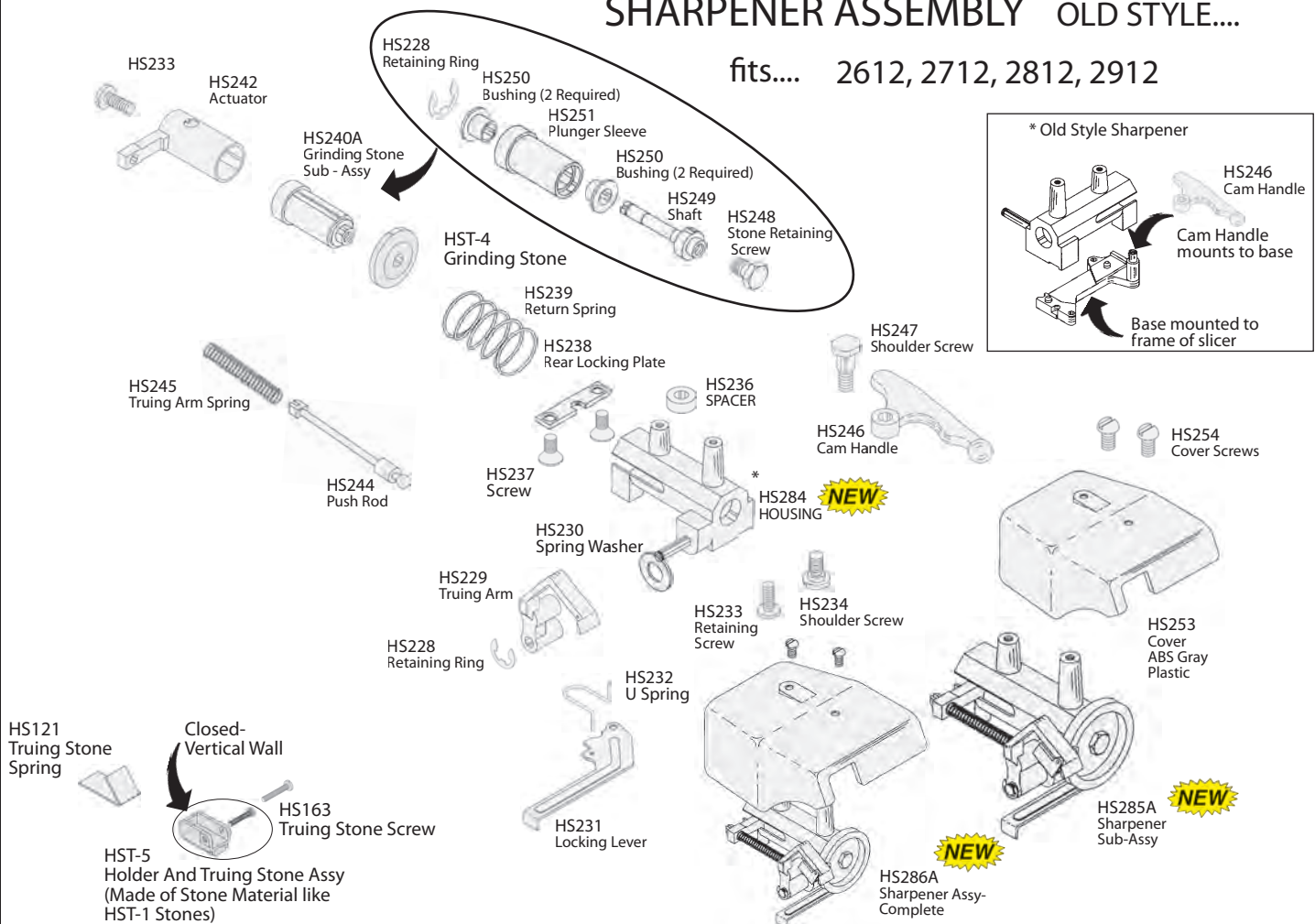
This glove is ambidextrous...
fits right or left hand

FITS MODELS

NBS P/N	OEM P/N	DESCRIPTION	2612	2712	2812	2912
HS121	435324	Truing Stone Spring	X	X	X	X
HS163	SC-122-84	Truing Stone Screw	X	X	X	X
HS228	RR-006-22	Retaining Ring	X	X	X	X
HS229	437262	Truing Arm	X	X	X	X
HS230	M-70241	Spring Washer	X	X	X	X
HS231	439698	Locking Lever	X	X	X	X
HS232	438435	U Spring	X	X	X	X
HS233	SC-122-87	Retaining Screw	X	X	X	X
HS234	438442	Shoulder Screw	X	X	X	X
HS235	873852	Housing	X	X	X	X
HS236	915162	Spacer	X	X	X	X
HS237	SC-122-85	Screw	X	X	X	X
HS238	439700	Rear Locking Plate	X	X	X	X
HS239	438437	Return Spring	X	X	X	X
HS240A	N/A	Grinding Stone Sub-Assy	X	X	X	X
HS241	875531	Main Spring	X	X	X	X
HS242	875339	Actuator	X	X	X	X
HS244	875368	Push Rod	X	X	X	X
HS245	438426	Truing Arm Spring	X	X	X	X
HS246	875359	Cam Handle	X	X	X	X
HS247	479953	Shoulder Screw 1/4-20	X	X	X	X
HS248	435814	Stone Retaining Screw RH	X	X	X	X
HS249	873848	Shaft - Grinding Stone	X	X	X	X
HS250	N/A	Bushing	X	X	X	X
HS251	873851	Plunger Sleeve	X	X	X	X
HS253	914682-3	Cover	X	X	X	X
HS254	SC-122-93	Cover Screw	X	X	X	X
HS255A	N/A	Sharpener Sub-Assy	X	X	X	X
HS256A	873847-1	Sharpener Assy - Complete	X	X	X	X
HST-4	439691	Grinding Stone	X	X	X	X
HST-5	478747	Holder and Truing Stone Assy	X	X	X	X

SHARPENER ASSEMBLY OLD STYLE....

fits.... 2612, 2712, 2812, 2912



HOBART

FITS MODELS

NBS P/N	OEM P/N	DESCRIPTION	2612	2712	2812	2912
HS121	435324	Truing Stone Spring	X	X	X	X
HS163	SC-122-84	Truing Stone Screw	X	X	X	X
HS228	RR-006-22	Retaining Ring	X	X	X	X
HS229	437262	Truing Arm	X	X	X	X
HS230	M-70241	Spring Washer	X	X	X	X
HS231	439698	Locking Lever	X	X	X	X
HS232	438435	U Spring	X	X	X	X
HS233	SC-122-87	Retaining Screw	X	X	X	X
HS234	438442	Shoulder Screw	X	X	X	X
HS235	873852	Housing	X	X	X	X
HS236	915162	Spacer	X	X	X	X
HS237	SC-122-85	Screw	X	X	X	X
HS238	439700	Rear Locking Plate	X	X	X	X
HS239	438437	Return Spring	X	X	X	X
HS240A	N/A	Grinding Stone Sub-Assy	X	X	X	X
HS241	875531	Main Spring	X	X	X	X
HS242	875339	Actuator	X	X	X	X
HS244	875368	Push Rod	X	X	X	X
HS245	438426	Truing Arm Spring	X	X	X	X
HS246	875359	Cam Handle	X	X	X	X
HS247	479953	Shoulder Screw 1/4-20	X	X	X	X
HS248	435814	Stone Retaining Screw RH	X	X	X	X
HS249	873848	Shaft - Grinding Stone	X	X	X	X
HS250	N/A	Bushing	X	X	X	X
HS251	873851	Plunger Sleeve	X	X	X	X
HS253	914682-3	Cover	X	X	X	X
HS284	SC-122-93	Cover Screw	X	X	X	X
HS285A	N/A	Sharpener Sub-Assy	X	X	X	X
HS286A	873847-1	Sharpener Assy - Cam Handle on Slicer	X	X	X	X
HST-4	439691	Grinding Stone	X	X	X	X
HST-5	478747	Holder and Truing Stone Assy	X	X	X	X

See Page 183
For Hobart Slicer Knives

- Fits...
1612
1612E
1712
1712E
1812
1912
2612
2712
2812
2912



HSK-1
11 3/4" Diameter
Stainless Steel



HT123
Safety Glove
Cloth w/ Steel Wire

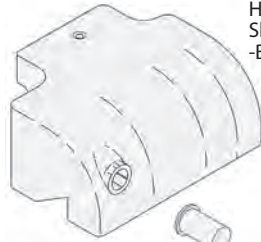
This glove is ambidextrous...
fits right or left hand

SHARPENER ASSEMBLY

FITS...
1612E - 1712E - 1812 - 1912



HS280A
Sharpener Assy
-Includes all items
shown below



HS281
Sharpener Cover
-Button not included



HT123
Safety Glove
Cloth w/ Steel Wire

This glove is ambidextrous...
fits right or left hand

Fits...
1612
1612E
1712
1712E
1812
1912
2612
2712
2812
2912



HSK-1
1 3/4" Diameter
Stainless Steel

HS282
Button

HS283
Sharpener Sub Assy

HS124
Grinding Stone Spring

HST-3 and HST-5 look similar...
HST-5 has a vertical wall that is
necessary to hold the spring
in place

HS228
Retaining Ring

HS125A
Grinding Stone Assy

HST-2
Grinding Stone

Open-

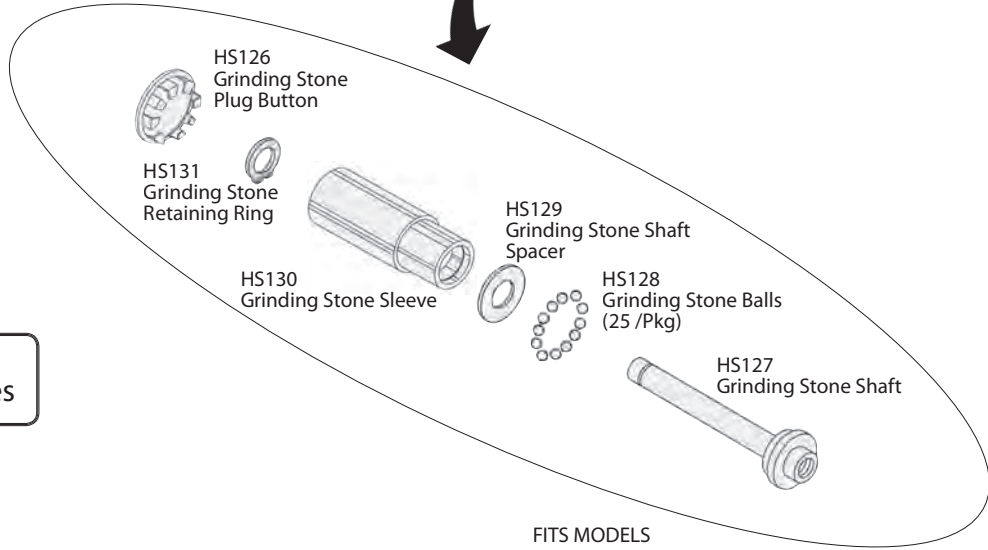
HST-3
Holder And Truing Stone Assy
Includes Pin

Grinding Stone Sub Assy
consists of the following...

HS123
Grinding Stone
Retaining Screw



HS122
Truing Stone Pin



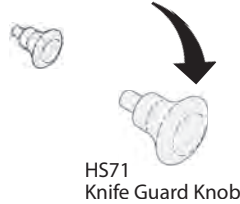
See Page 183
For Hobart Slicer Knives

FITS MODELS

NBS P/N	OEM P/N	DESCRIPTION	1612E	1712E	1812	1912
HS123	435814	Grinding Stone Retaining Screw	X	X	X	X
HS124	119867	Grinding Stone Spring	X	X	X	X
HS125A		Grinding Stone Assy	X	X	X	X
HS126	69585-1	Grinding Stone Plug Button	X	X	X	X
HS127	270503	Grinding Stone Shaft	X	X	X	X
HS128	BA-2-1	Grinding Stone Balls (25/Pkg)	X	X	X	X
HS129	119871	Grinding Stone Shaft Spacer	X	X	X	X
HS130	270501	Grinding Stone Sleeve	X	X	X	X
HS131	RR-11-4	Grinding Stone Retaining Ring	X	X	X	X
HS228	RR-006-22	Snap Ring for Truing Stone Arm	X	X	X	X
HS280A	274926	Sharpener Assy	X	X	X	X
HS281		Sharpener Cover	X	X	X	X
HS282	274934	Button	X	X	X	X
HS283		Sharpener Sub Assy	X	X	X	X
HST-2		Grinding Stone	X	X	X	X
HST-3	119882	Holder And Truing Stone Assy	X	X	X	X

HOBART

This knob replaces the knife guard knobs that wiggle loose. To install... place new knob in hole and peen knob shaft over with a hammer



HS21 Back Knife Guard Retaining Knob & Stud



HS43 Retaining Ring

Now has adjusting screws for easier fit

HS32 Back Knife Guard

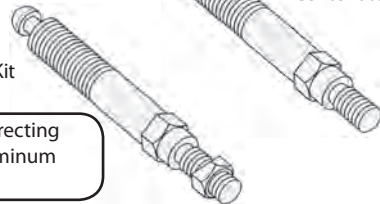
HS18-96 Upper Knife Guard Knob & Stud



HS17-98 Center Stud Lock Knob



HS16-41 Knife Guard Center Stud



HS38A Center Stud Correcting Kit

Use the HS38A Center Stud Correcting Kit when the threads in the aluminum housing have stripped out



HS158 Lower Retaining Clip Stud



HS99 Lifting Lever Knob

HS119 Push Nut

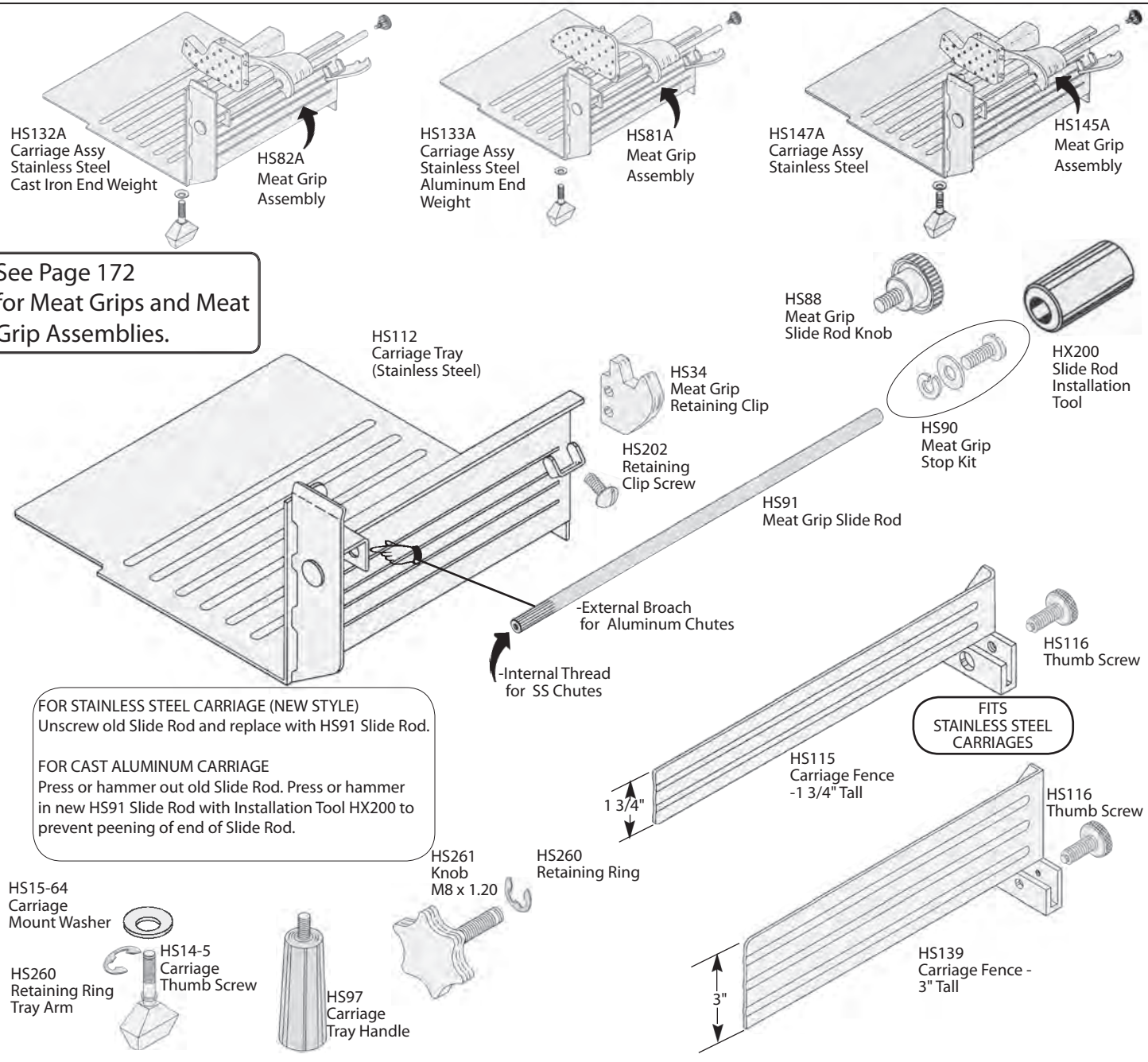


HS118 Lifting Lever Roller

FITS MODELS

NBS P/N	OEM P/N	DESCRIPTION	512	1612	1712	1712R	1812	1912	2612	2712	2812	2912
HS16-41	M-70241	Knife Guard Center Stud	X	X	X	X						
HS17-98	P-70198	Center Stud Lock Knob	X	X	X	X						
HS18-96	P-70196	Upper Knife Guard Knob & Stud		X	X							
HS21	P-118484	Back Knife Guard Retaining Knob & Stud		X	X	X						
HS32	S-82952-2	Back Knife Guard		X	X	X						
HS38A	N/A	Center Stud Correcting Kit			X	X						
HS43	RR-10-18	Retaining Ring		X	X							
HS71	70767	Knife Guard Knob		X	X	X						
HS99	106503	Lifting Lever Knob		X	X	X	X	X				
HS118	108001	Lifting Lever Roller		X	X	X	X	X		X		X
HS119	106502	Push Nut		X	X		X	X		X		X
HS158	83021	Lower Retaining Clip Stud		X	X	X						

See Page 172 for Meat Grips and Meat Grip Assemblies.



FOR STAINLESS STEEL CARRIAGE (NEW STYLE)
Unscrew old Slide Rod and replace with HS91 Slide Rod.

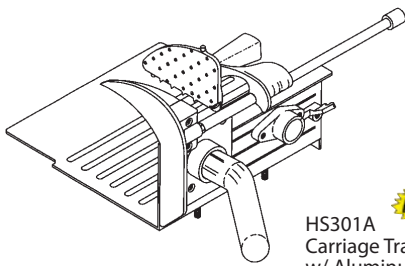
FOR CAST ALUMINUM CARRIAGE
Press or hammer out old Slide Rod. Press or hammer in new HS91 Slide Rod with Installation Tool HX200 to prevent peening of end of Slide Rod.

FITS MODELS

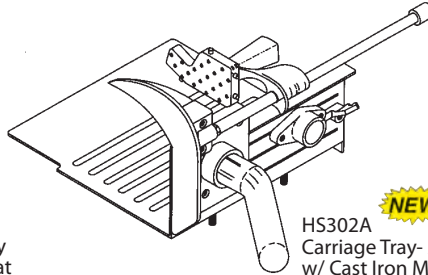
NBS P/N	OEM P/N	DESCRIPTION	512	1612	1712	1812	1912	2612	2712	2812	2912	EDGE
HS14-5	C-108197-5	Carriage Thumb Screw	X	X	X	X						
HS15-64	A-107364	Carriage Mount Washer	X	X	X	X						
HS34	M-72579	Meat Grip Retaining Clip		X	X	X						
HS88	SC-16-5	Meat Grip Slide Rod Knob		X	X	X						
HS90	N/A	Meat Grip Stop Kit		X	X	X						
HS91	435949	Meat Grip Slide Rod	X	X	X	X						
HS97	70194	Carriage Tray Handle	X	X	X	X						
HS112	437115-1	Carriage Tray	X	X	X	X						
HS115	295118	Carriage Fence - 1 3/4" Tall		X	X	X	X	X	X	X	X	X
HS116	290984	Thumb Screw	X	X	X	X	X	X	X	X	X	
HS132A	437119-2	Carriage Assy	X	X	X	X						
HS133A	72615-6	Carriage Assy	X	X	X	X						
HS139	295117	Carriage Fence - 3" Tall		X	X	X	X	X	X	X	X	X
HS147A	290976-3	Carriage Assy	X	X	X	X						
HS202	SC-8-9	Retaining Clip Screw	X	X	X	X						
HS260	RR-012-13	Retaining Ring										X
HS261	479432	Tray Arm Knob										X
HX200	N/A	Slide Rod Installation Tool		X	X	X						

HOBART

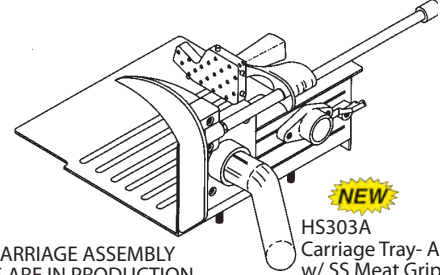
CARRIAGE TRAY ASSEMBLY AND COMPONENTS FOR 2612 - 2912



NEW
HS301A
Carriage Tray- Assy
w/ Aluminum Meat
Grip H295A

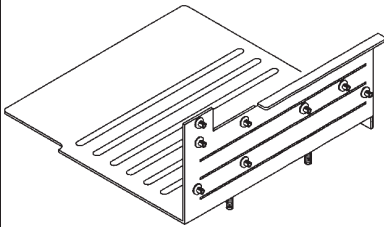


NEW
HS302A
Carriage Tray- Assy
w/ Cast Iron Meat
Grip H297A



NEW
HS303A
Carriage Tray- Assy
w/ SS Meat Grip
H299A

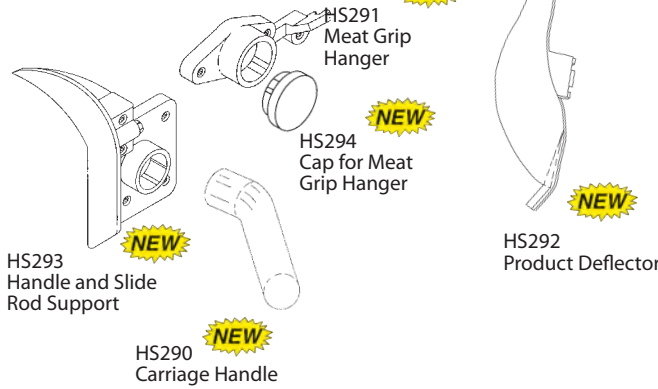
THE CARRIAGE ASSEMBLY
PARTS ARE IN PRODUCTION
AND WILL BE AVAILABE AFTER
JANUARY 2018



NEW
HS300
Carriage Tray
Stainless Steel

NEW
HS305
Carriage Tray
Nut

ALL NEW PARTS IN PRODUCTION
AND WILL BE AVAILABE AFTER
JANUARY 2018



NEW
HS293
Handle and Slide
Rod Support

NEW
HS290
Carriage Handle

NEW
HS291
Meat Grip
Hanger

NEW
HS294
Cap for Meat
Grip Hanger

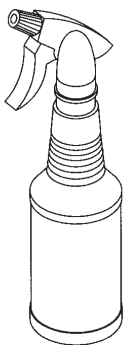
NEW
HS292
Product Deflector

See Page 195
for Meat Grips and Meat
Grip Assemblies.



HS175
Meat Grip Slide
Rod

Great All Natural Universal
Citrus Cleaner for Stainless
Steel and other surfaces.



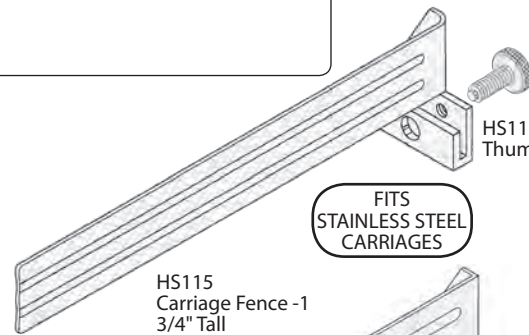
CC16
Citrus Cleaner
16oz
w/ Spray Head

NEW
CC32
Citrus Cleaner
32 oz
w/ Spray Head



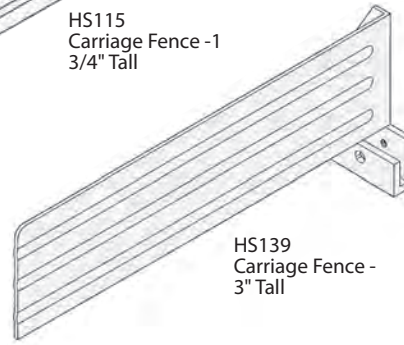
HS178
Knob,
Transport
Carriage

HS176
Retaining Ring



HS115
Carriage Fence -1
3/4" Tall

FITS
STAINLESS STEEL
CARRIAGES



HS139
Carriage Fence -
3" Tall

HS116
Thumb Screw

HS116
Thumb Screw

FITS MODELS



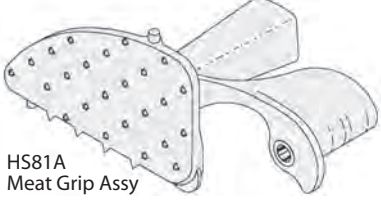
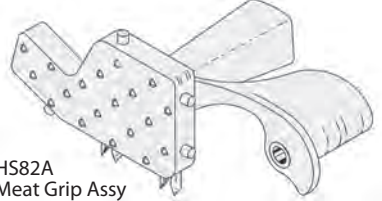
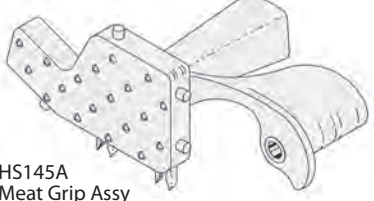

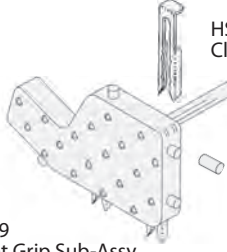
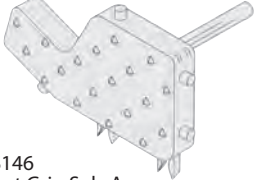

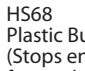
HT123
Safety Glove
Cloth w/ Steel Wire

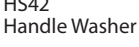


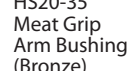
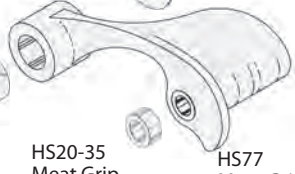



This glove is ambidextrous...
fits right or left hand

NBS P/N	OEM P/N	DESCRIPTION	2612	2712	2812	2912
HS115	295118	Carriage Fence - 1 3/4" Tall	X	X	X	X
HS116	290984	Thumb Screw	X	X	X	X
HS139	295117	Carriage Fence - 3" Tall	X	X	X	X
HS175	478443 / 875354	Slide Rod	X	X	X	X
HS176	RR-006-21	Retaining Ring	X	X	X	X
HS178	478021	Knob, Transport Carriage	X	X	X	X
HS290	439060 / 108197	Carriage Handle	X	X	X	X
HS291	478431 / 75135	Meat Grip Hanger	X	X	X	X
HS292	478289	Product Deflector	X	X	X	X
HS293	915596 / 70387	Handle and Slide Rod Support	X	X	X	X
HS294	477533	Cap - Meat Grip Hanger	X	X	X	X
HS300	478464 / 479544	Meat Grip Assy (Aluminum)	X	X	X	X
HS301A	N/A	Carriage Tray - Assy with Aluminum Meat Grip	X	X	X	X
HS302A	NA	Carriage Tray - Assy with Cast Iron Meat Grip	X	X	X	X
HS303A	N/A	Carriage Tray - Assy with Stainless Steel Meat Grip	X	X	X	X
HS305	N/A	Carriage Tray Nut	X	X	X	X

MEAT GRIPS AND COMPONENTS FOR 1612 - 1912

* Some Parts are universal for 2612 - 2912 models, See Page 173 for the Meat Grips for 2612-2912 Models

Aluminum	Cast Iron	Stainless Steel
 <p>HS81A Meat Grip Assy</p>	 <p>HS82A Meat Grip Assy</p>	<div style="border: 1px solid black; padding: 2px; width: fit-content; margin-bottom: 5px;"> - Will not corrode - Will last longer </div>  <p>HS145A Meat Grip Assy</p>
 <p>HS64 Meat Grip Sub-Assy</p>	 <p>HS79 Meat Grip Sub-Assy (Complete with clips & plastic buttons)</p>	 <p>HS146 Meat Grip Sub-Assy (Complete with clips & plastic buttons)</p>
	 <p>HS78 Clip</p>	
	 <p>HS68 Plastic Button (Stops end weight from rubbing on carriage)</p>	

See Page 192
for Carriage Tray
and Carriage Tray
Assemblies.

FITS MODELS

NBS P/N	OEM P/N	DESCRIPTION	1612	1712	1812	1912	2612	2712	2812	2912
HS20-35	M-75135	Meat Grip Arm Bushing (Bronze)	X	X	X	X	X	X	X	X
HS41	M-70386	Meat Grip Washer	X	X	X	X				
HS42	M-70387	Meat Grip Handle Washer	X	X	X	X				
HS64	R-77534	Meat Grip Sub-Assy	X	X	X	X				
HS68	70360-1	Plastic Button	X	X	X	X	X	X	X	X
HS77	478264 / 75138	Meat Grip Arm (With Bushings)	X	X	X	X	X	X	X	X
HS78	P-70341	Meat Grip Clip (Stainless Steel)	X	X	X	X	X	X	X	X
HS79	R-77534	Meat Grip Sub-Assy	X	X	X	X				
HS80	70202	Meat Grip Handle	X	X	X	X				
HS81A	N/A	Meat Grip Assy (Aluminum)	X	X	X	X				
HS82A	N/A	Meat Grip Assy (Cast Iron)	X	X	X	X				
HS83	N/A	Meat Grip Screw & Washer Kit	X	X	X	X				
HS98	438177	Meat Grip Handle (Heavy)	X	X	X	X				
HS145A	N/A	Meat Grip Assy (Stainless Steel)	X	X	X	X				
HS146	N/A	Meat Grip Sub-Assy (Stainless Steel)	X	X	X	X	X	X	X	X
HS198	438280	Meat Grip Arm Bushing	X	X	X	X	X	X	X	X

MEAT GRIPS AND COMPONENTS FOR 2612 - 2912

* See Page 172 for Meat Grips for models 1612 - 1912



THESE MEAT GRIP ASSEMBLIES ARE NEWLY DESIGNED FOR THE 2612-2912 MACHINES, THOUGH THE ORIGINAL MANUFACTURERES UNIT IS PLASTIC WE HAVE THE SAME UNITS IN ALUMINUM, CAST IRON AND STAINLESS STEEL. THESE UNITS WILL WORK AS WELL OR BETTER AND LAST LONGER THAN THE PLASTIC VERSION.

Aluminum*	Cast Iron*	Stainless Steel*
<p>NEW HS295A Meat Grip Assy</p>	<p>NEW HS297A Meat Grip Assy</p>	<p>- Will not corrode - Will last longer</p> <p>NEW HS299A Meat Grip Assy</p>
<p>NEW HS294 Meat Grip Sub-Assy</p>	<p>NEW HS296 Meat Grip Sub-Assy (Complete with clips & plastic buttons)</p> <p>HS78 Clip</p> <p>HS68 Plastic Button (Stops end weight from rubbing on carriage)</p>	<p>NEW HS298 Meat Grip Sub-Assy (Complete with clips & plastic buttons)</p>

HOBART

HS210
Meat Grip Handle
Fits..2612, 2712, 2812, 2912

HS198
Meat Grip Arm
Bushing

HS41
Meat Grip
Washer

HS20-35
Meat Grip
Arm Bushing
(Bronze)

HS77
Meat Grip Arm

THESE MEAT GRIP ASSEMBLIES ARE NEWLY DESIGNED FOR THE 2612-2912 MACHINES, THOUGH THE ORIGINAL MANUFACTURERES UNIT IS PLASTIC WE HAVE THE SAME UNITS IN ALUMINUM, CAST IRON AND STAINLESS STEEL. THESE UNITS WILL WORK AS WELL OR BETTER AND LAST LONGER THAN THE PLASTIC VERSION.

THE CARRIAGE ASSEMBLY PARTS ARE IN PRODUCTION AND WILL BE AVAILABE AFTER JANUARY 2018

See Page 193 for Carriage Tray and Carriage Tray Assemblies.

FITS MODELS

NBS P/N	OEM P/N	DESCRIPTION	1612	1712	1812	1912	2612	2712	2812	2912
HS20-35	M-75135	Meat Grip Arm Bushing (Bronze)	X	X	X	X	X	X	X	X
HS41	M-70386	Meat Grip Washer	X	X	X	X	X	X	X	X
HS68	70360-1	Plastic Button	X	X	X	X	X	X	X	X
HS77	478264 / 75138	Meat Grip Arm (With Bushings)	X	X	X	X	X	X	X	X
HS78	P-70341	Meat Grip Clip (Stainless Steel)	X	X	X	X	X	X	X	X
HS210	439078 / 875320	Meat Grip Handle - Push On					X	X	X	X
HS294	478444	Meat Grip Sub-Assy					X	X	X	X
HS295A	477537	Meat Grip Assembly					X	X	X	X
HS296	478444	Meat Grip Sub Assy (Cast Iron)					X	X	X	X
HS297A	N/A	Meat Grip Assembly (Cast Iron)					X	X	X	X
HS298	478444	Meat Grip Sub Assy - (Stainless Steel)					X	X	X	X
HS299A	N/A	Meat Grip Assembly (Stainless Steel)					X	X	X	X

Vegetable Chutes

Hobart has 2 styles of vegetable chutes...
Both can be used on the Hobart slicers 1612, 1712, 1812, and 1912.

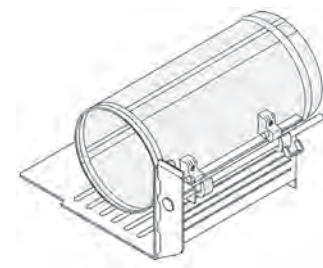
The ID dimensions of the old and new styles chutes are different from each other therefore the pushers are NOT interchangeable. If purchasing chutes and pushers separately -- verify dimensions.

OLD DESIGN
must remove carriage tray to install

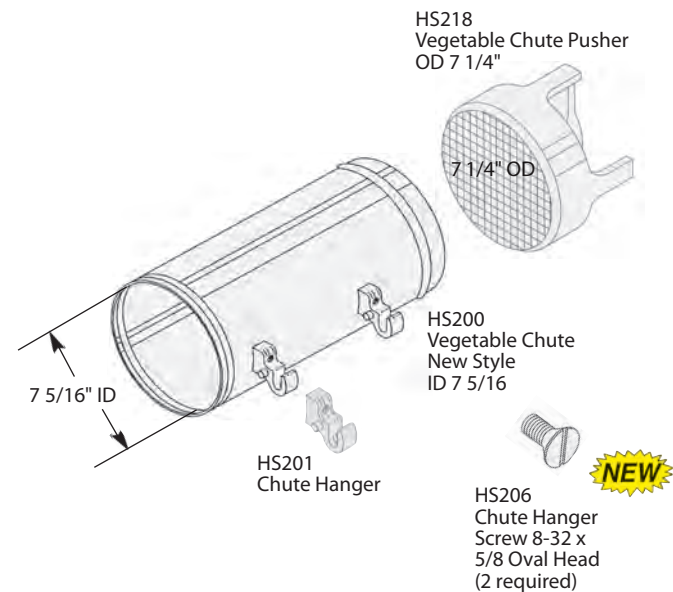
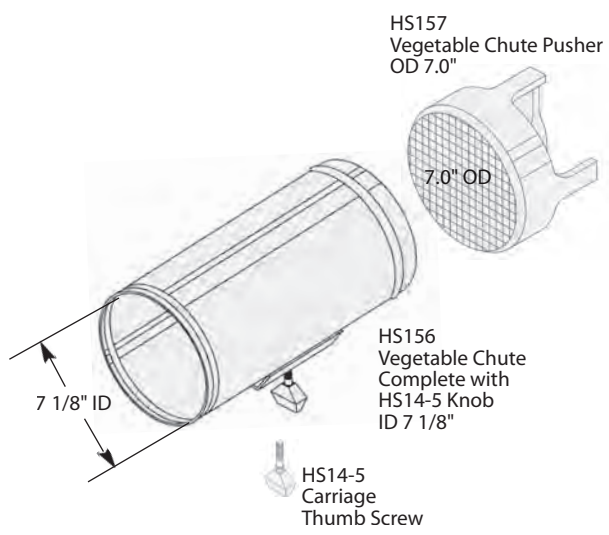
NEW DESIGN
Fits on top of carriage tray



HS156 Vegetable Chute is the older design....
The carriage tray is removed and chute is attached to the carriage tray support arm.



HS200 Vegetable Chute is the newer design ...
It is installed by leaving the carriage tray in place, removing the end weight and placing the vegetable chute on the carriage tray and fitting the chute hangers on the slide rod (HS91).

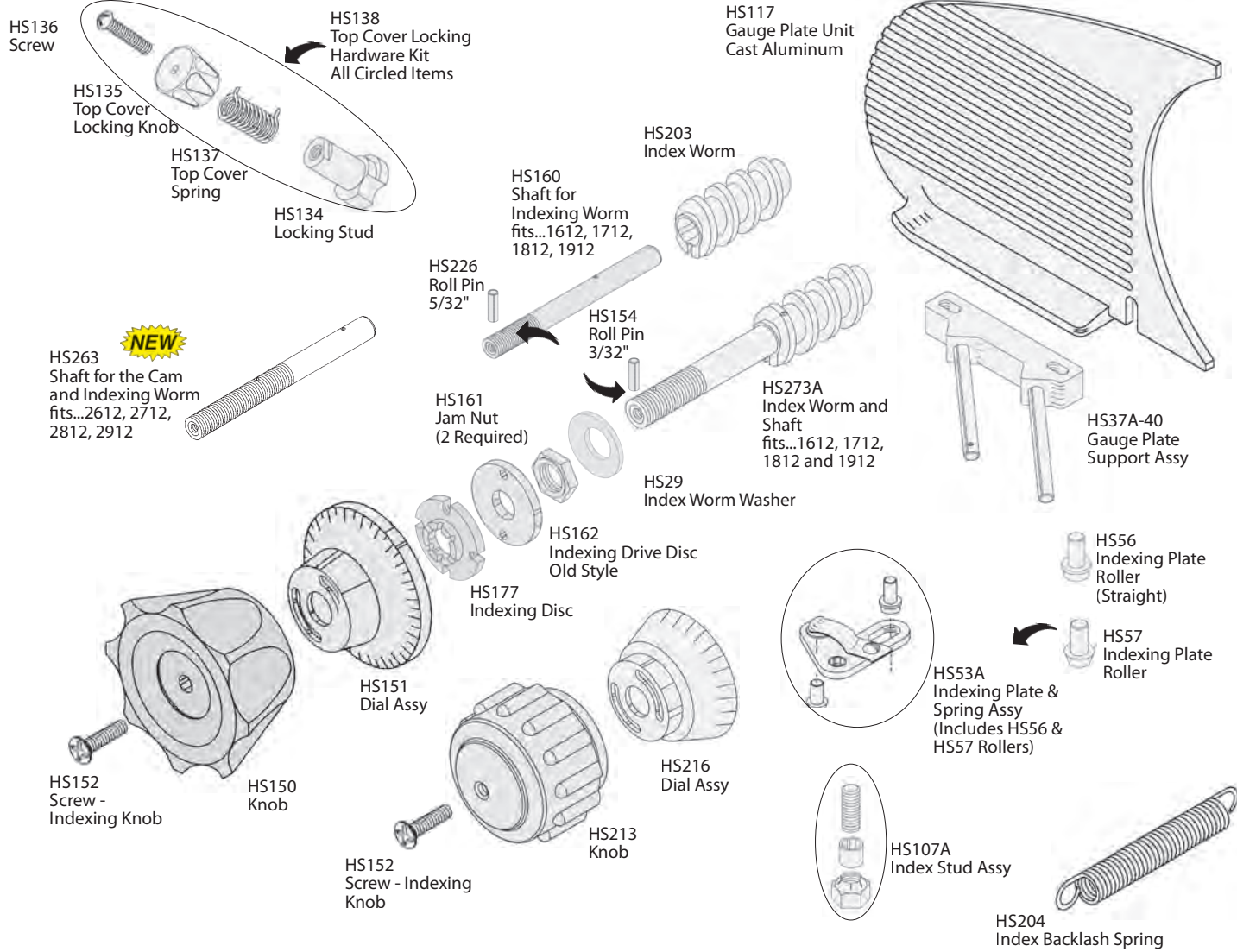


NBS P/N	DESCRIPTION	CHUTE INSIDE DIAMETER	PUSHER OUTSIDE DIAMETER	MOUNTING STYLE
HS156	VEGETABLE CHUTE	7 1/8		MOUNTS ON TRAY SUPPORT ARM
HS200	VEGETABLE CHUTE	7 5/16		MOUNTS ON CARRIAGE
HS157	PUSHER		7.0	
HS218	PUSHER		7 1/4	

			FITS MODELS							
NBS P/N	OEM P/N	DESCRIPTION	1612	1712	1812	1912	2612	2712	2812	2912
HS14-5	C-108197-5	Carriage Thumb Screw	X	X	X	X				
HS156	75945	Vegetable Chute	X	X	X	X				
HS157	118332-1	Vegetable Chute Pusher	X	X	X	X				
HS200	479687	Vegetable Chute	X	X	X	X	X	X	X	X
HS201	875365	Chute Hanger	X	X	X	X	X	X	X	X
HS206	N/A	Vegetable Chute Hanger Screw 8-32 x 5/8 Oval Head	X	X	X	X	X	X	X	X
HS218		Vegetable Chute Pusher	X	X	X	X	X	X	X	X

HOBART

NEW

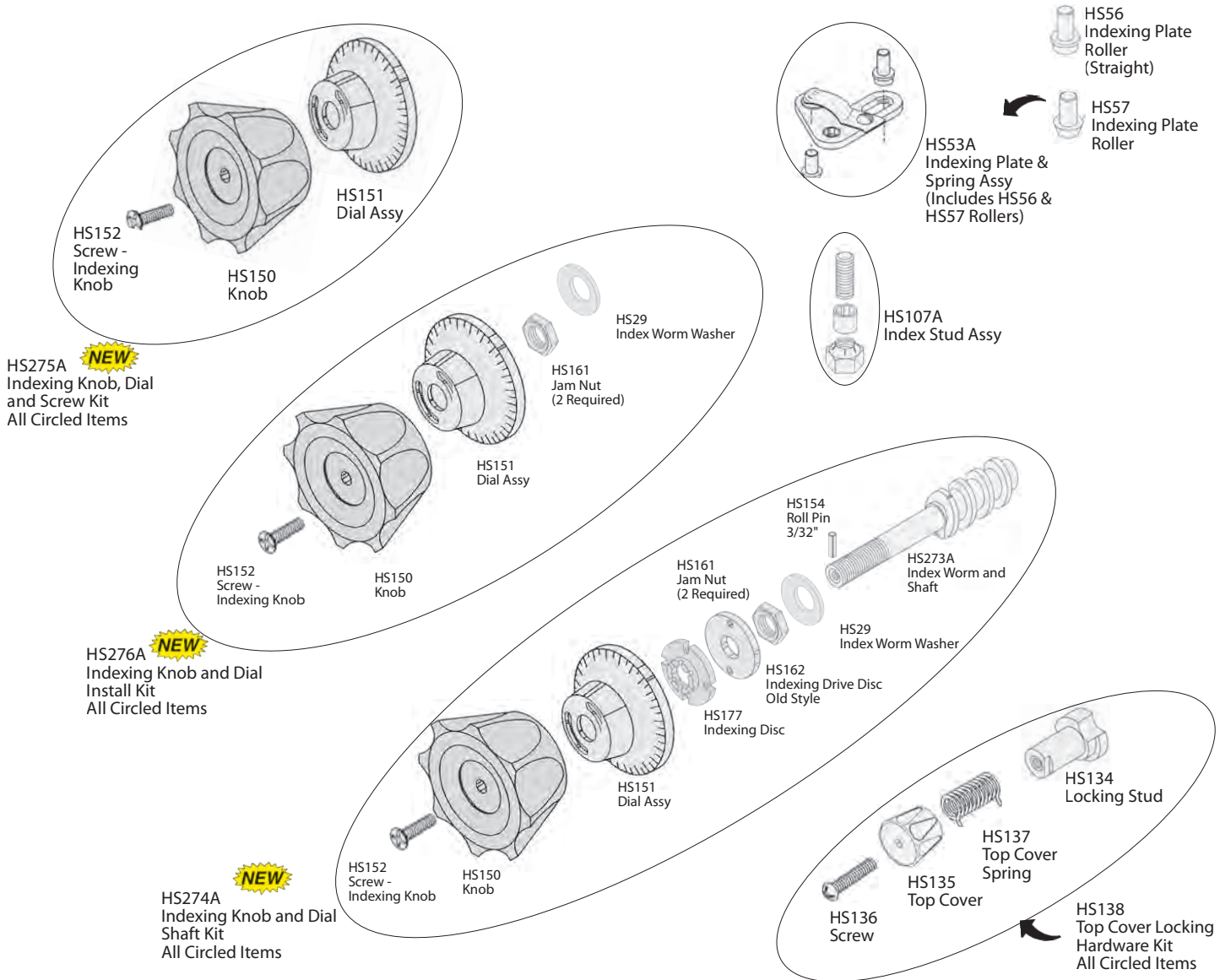


FITS MODELS

NBS P/N	OEM P/N	DESCRIPTION	512	1612	1712	1812	1912	2612	2712	2812	2912
HS29	88298	Index Worm Washer	X	XE	XE	X	X	X	X	X	X
HS37A-40	P-88740-2	Gauge Plate Support Assy		XE	XE	X	X				
HS53A	70425	Indexing Plate & Spring Assy		XE	XE	X	X				
HS56	70343	Indexing Plate Roller (Straight)	X	XE	XE	X	X				
HS57	70342	Indexing Plate Roller		XE	XE	X	X				
HS107A	NS-32-12	Index Stud Assy		X	X	X	X				
HS117	124768	Gauge Plate Unit		X	X	X	X				
HS134	437880	Locking Stud						X	X	X	X
HS135	437879	Top Cover Locking Knob						X	X	X	X
HS136	SC-122-53	Screw						X	X	X	X
HS137	474698	Top Cover Spring						X	X	X	X
HS138	N/A	Top Cover Locking Hardware Kit						X	X	X	X
HS150	114214	Index Knob	X	XE	XE	X	X				
HS151	118175	Dial Assy	X	XE	XE	X	X				
HS152	SC-23-10	Screw - Indexing Knob	X	XE	XE	X	X				
HS154	RP-2-40	Roll Pin	X	XE	XE	X	X				
HS160	87494	Indexing Shaft		XE	XE	XE	XE				
HS161	10928-2	Jam Nut	X	XE	XE	X	X	X	X	X	X
HS162	70405	Indexing Drive Disc - Old Style	X	XE	XE	X	X				
HS177	76948	Indexing Disc	X	XE	XE	X	X	X	X	X	X
HS203	87495	Indexing Worm		XE	XE	X	X				
HS204	478432	Index Backlash Spring						X	X	X	X
HS213	439085	Knob						X	X	X	X
HS216	835370	Dial Assy						X	X	X	X
HS226	RP-2-22	Roll Pin - (fits indexing worm)		XE	XE	XE	XE				
HS263	438890	Shaft, Cam Shaft Assembly						X	X	X	X
HS273A	87493	Index Worm and Shaft Assy		XE	XE	X	X				

X= FITS STANDARD MODEL VERSION E= FITS E MODEL VERSION

INDEXING KNOB AND SHAFT ASSEMBLY KITS



NEW
HS275A
Indexing Knob, Dial
and Screw Kit
All Circled Items

NEW
HS276A
Indexing Knob and Dial
Install Kit
All Circled Items

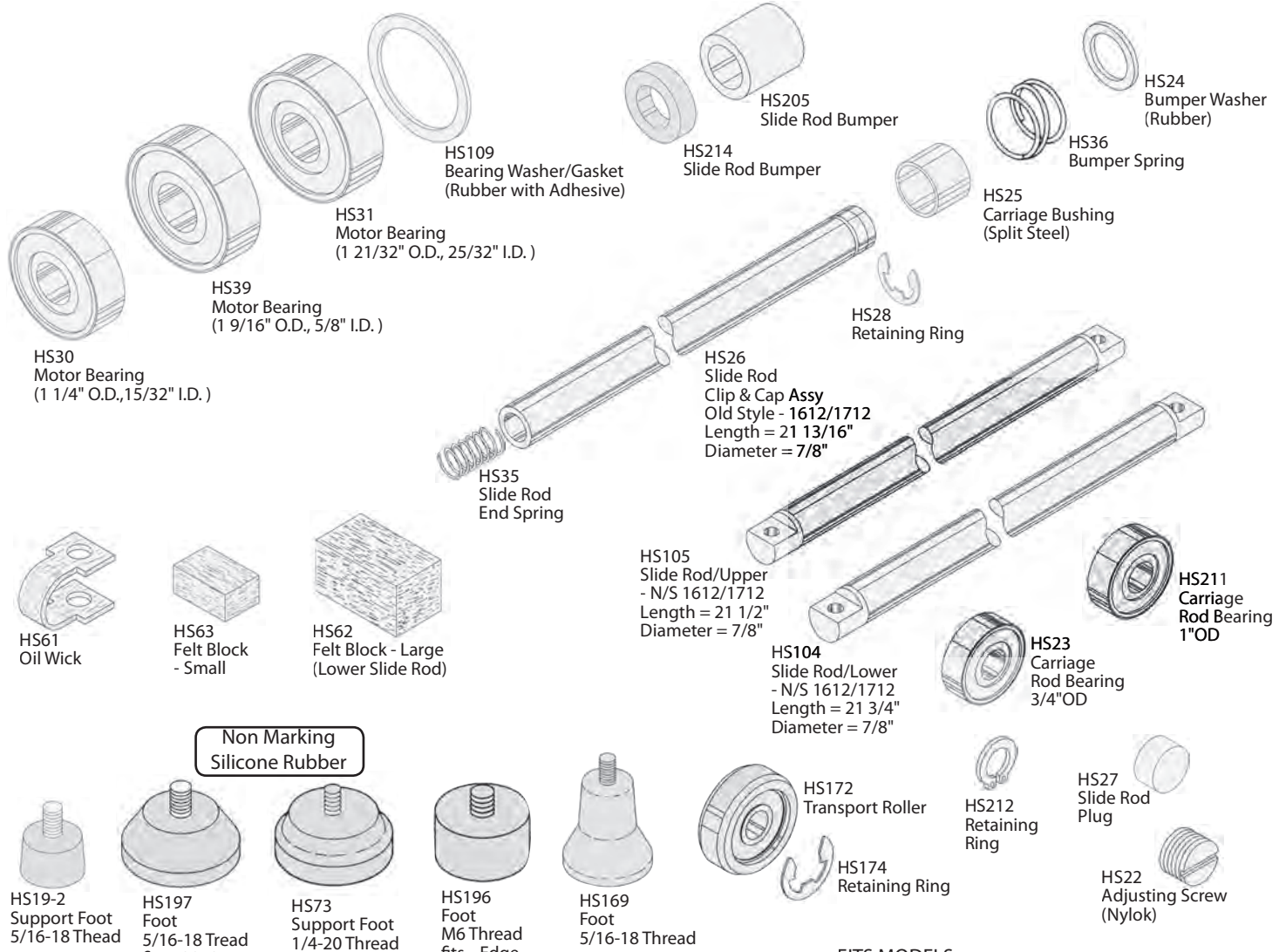
NEW
HS274A
Indexing Knob and Dial
Shaft Kit
All Circled Items

FITS MODELS

NBS P/N	OEM P/N	DESCRIPTION	512	1612	1712	1812	1912	2612	2712	2812	2912
HS53A	70425	Indexing Plate & Spring Assy		XE	XE	X	X				
HS56	70343	Indexing Plate Roller (Straight)	X	XE	XE	X	X				
HS57	70342	Indexing Plate Roller		XE	XE	X	X				
HS107A	NS-32-12	Index Stud Assy		X	X	X	X				
HS134	437880	Locking Stud						X	X	X	X
HS135	437879	Top Cover Locking Knob						X	X	X	X
HS136	SC-122-53	Screw						X	X	X	X
HS137	474698	Top Cover Spring						X	X	X	X
HS138	N/A	Top Cover Locking Hardware Kit						X	X	X	X
HS150	114214	Index Knob	X	XE	XE	X	X				
HS151	118175	Dial Assy	X	XE	XE	X	X				
HS152	SC-23-10	Screw - Indexing Knob	X	XE	XE	X	X				
HS154	RP-2-40	Roll Pin	X	XE	XE	X	X				
HS160	87494	Indexing Shaft		XE	XE						
HS161	10928-2	Jam Nut	X	XE	XE	X	X	X	X	X	X
HS162	70405	Indexing Drive Disc - Old Style	X	XE	XE	X	X				
HS177	76948	Indexing Disc	X	XE	XE	X	X	X	X	X	X
HS273A	87493	Index Worm and Shaft Assy		XE	XE	X	X				
HS274A	N/A	Indexing Knob, Dial and Shaft Kit	X	XE	XE	X	X				
HS275A	N/A	Indexing Knob, Dial and Screw Kit	X	XE	XE	X	X				
HS276A	N/A	Indexing Knob and Dial Install Kit	X	XE	XE	X	X				

X= FITS STANDARD MODEL VERSION E= FITS E MODEL VERSION

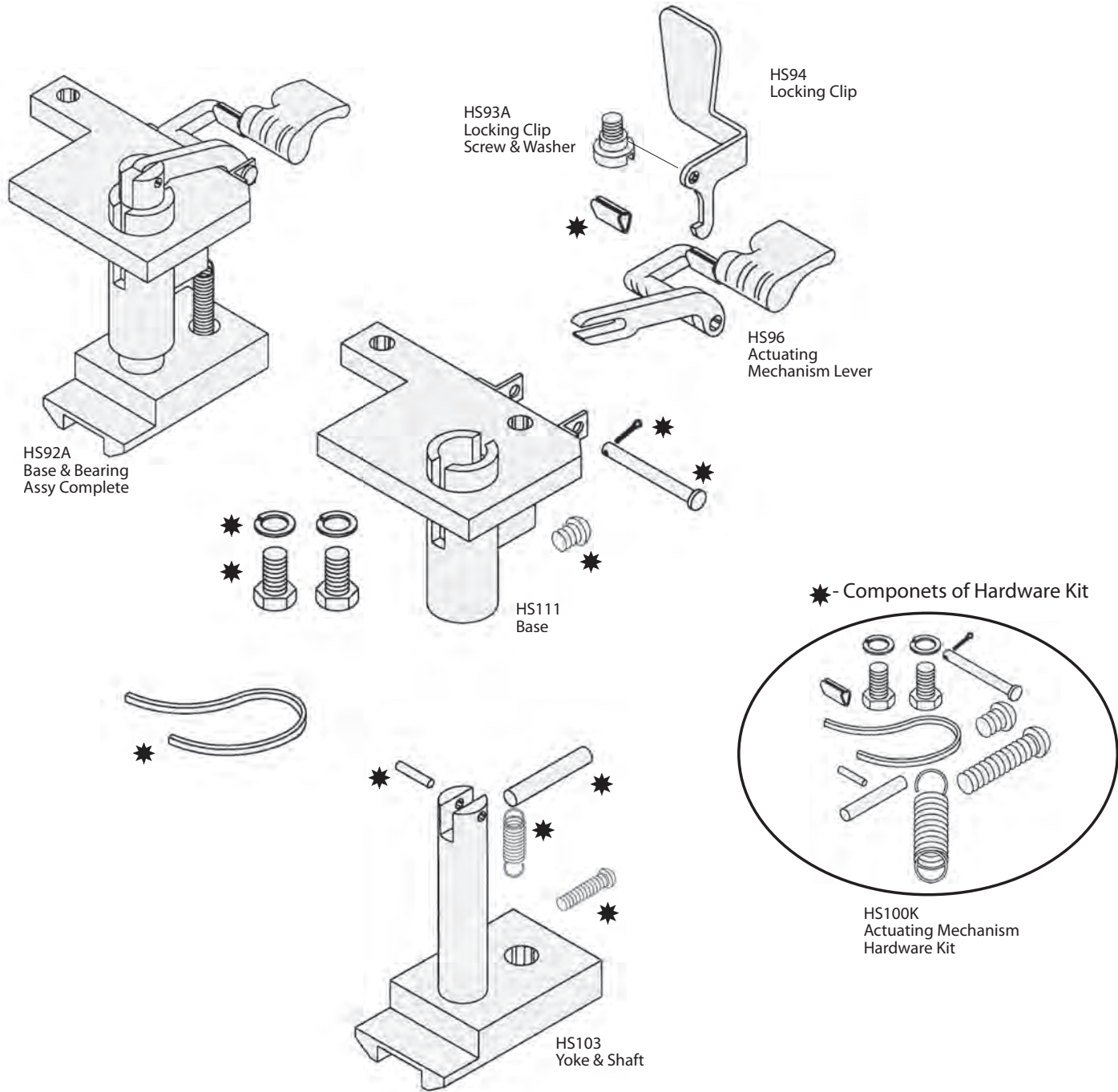
HOBART



FITS MODELS

NBS P/N	OEM P/N	DESCRIPTION	512	1612	1712	1812	1912	2612	2712	2812	2912	EDGE
HS19-2	B-18682-1	Support Foot	X	X		X	X					
HS22	M-86260	Adjusting Screw (Nylok)		X	X							
HS23	BB-4-11	Carriage Rod Bearing	X	X	X	X	X					
HS24	V-21046-1	Bumper Washer (Rubber)	X	X	X							
HS25	M-88921	Carriage Bushing	X	X	X							
HS26		Slide Rod Clip & Cap Assy		X	X							
HS27	M-83416	Slide Rod Plug		X	X							
HS28	RR-4-15	Retaining Ring		X	X							
HS30	BB-5-5, BB-18-12	Motor Bearing	X	X	X	X	X					
HS31	BB-15-41	Motor Bearing		X	X	X	X					
HS35	V-12734	Slide Rod End Spring	X	X								
HS36	20622	Bumper Spring	X									
HS39	BB-5-30	Motor Bearing	X									
HS61	274895	Oil Wick		X	X							
HS62		Felt Block - Large (Lower Slide Rod)		X								
HS63	8342-2	Felt Block - Small										
HS73	M-83681	Support Foot			X	X	X					
HS104	C-123686-1	Slide Rod/Lower - N/S		X								
HS105	C-123686-2	Slide Rod/Upper - N/S		X	X							
HS109	WS-8-9	Bearing Washer		X	X							
HS169	47721	Foot - Tall						X		X		
HS172	428420	Transport Roller						X	X	X	X	
HS174	RR-006-23	Retaining Ring						X		X	X	
HS196	479397	Foot M6 Thread										X
HS197	875372	Foot 5/16 18 Thread							X		X	X
HS205	477555	Slide Rod Bumper						X	X	X	X	
HS211	BB-021-46	Bearing										X
HS212	RR-9-15	Retaining Ring		X	X							
HS214	479388	Slide Rod Bumper										X

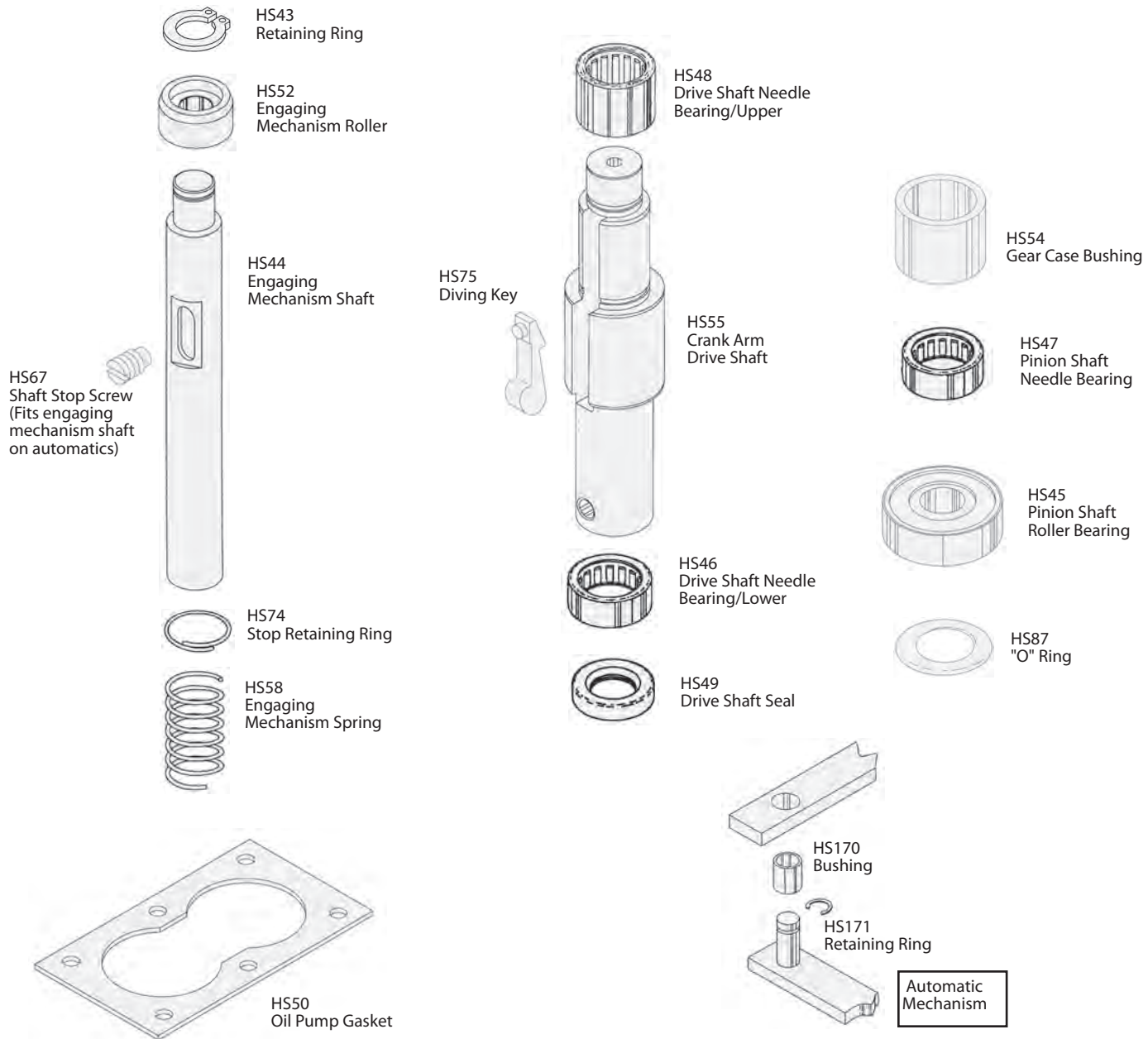
ACTUATING MECHANISM



FITS MODELS

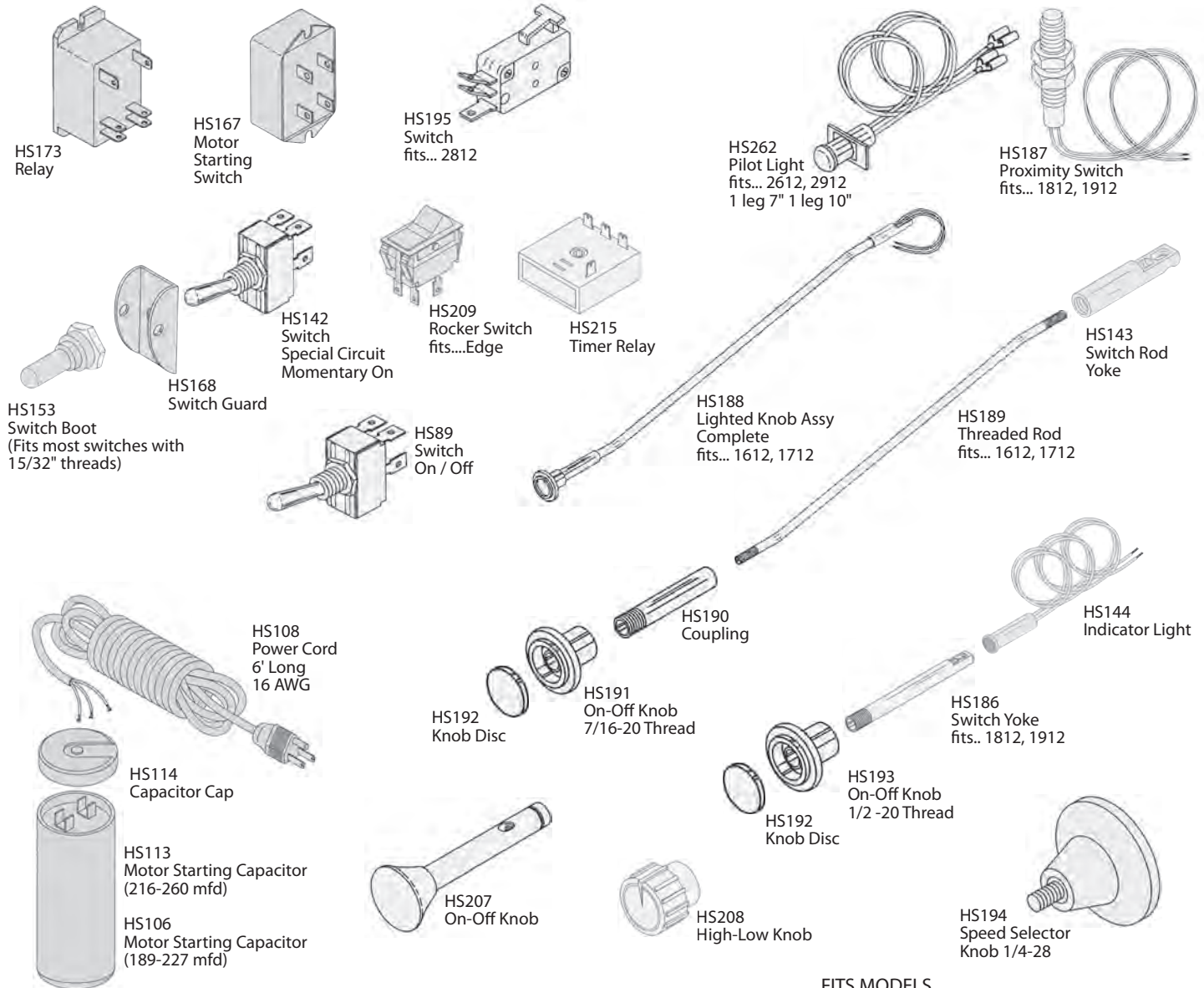
NBS P/N	OEM P/N	DESCRIPTION	1712	1912
HS92A	PL-15697	Base & Bearing Assy Complete	X	
HS93A	M-70351	Locking Clip Screw & Washer	X	
HS94	P-70240	Locking Clip	X	
HS96	R-70233-2	Actuating Mechanism Lever	X	X
HS100K	N/A	Actuating Mechanism Hardware Klt	X	X
HS103	P-70266	Yoke & Shatt	X	X
HS111	83424	Base	X	X

HOBART



FITS MODELS

NBS P/N	OEM P/N	DESCRIPTION	1612	1712	1812	1912
HS43	RR-4-3	Retaining Ring		X	X	X
HS44	M-70295	Engaging Mechanism Shaft		X	X	X
HS45	BB-15-37	Pinion Shaft Roller Bearing		X	X	X
HS46	BN-2-15	Drive Shaft Needle Bearing/Lower		X	X	X
HS47	BN-2-13	Pinion Shaft Needle Bearing		X	X	X
HS48	BN-2-14	Drive Shaft Needle Bearing/Upper		X	X	X
HS49	M-70442	Drive Shaft Seal		X	X	X
HS50	M-70244	Oil Pump Gasket		X	X	X
HS52	M-70303	Engaging Mechanism Roller		X	X	X
HS54	D-124640-1	Gear Case Bushing	X	X	X	X
HS55	E-123952	Crank Arm Drive Shaft		X		
HS58	M-70307	Engaging Mechanism Spring		X		
HS67	70324	Shaft Stop Screw		X	X	X
HS74	M-70396	Stop Retaining Ring		X		
HS75	C-114356	Diving Key		X		
HS87	D-67500-2	"O" Ring		X	X	X
HS170	N/A	Bushing				
HS171	RR-4-17	Retaining Ring				



FITS MODELS

NBS P/N	OEM P/N	DESCRIPTION	512	1612	1712	1712R	1812	1912	2612	2712	2812	2912	EDGE
HS89	87711-148-1	Switch	X	X				X	X	X	X		
HS106	70487-00021	Motor Starting Capacitor (189-227 MFD)					X	X	X				
HS108	117542-37	Power Cord	X	X	X	X	X	X	X	X	X	X	
HS113	70487-15	Motor Starting Capacitor (216-260 MFD)	X	X	X	X							
HS114	N/A	Capacitor Cap	X	X	X	X	X	X					
HS142	120388/875567	Switch 87711-143-1				X	X			X	X	X	
HS143		Switch Rod Yoke		X	X	X							
HS144	122342-5	Indicator Light		X	X	X	X	X					
HS153	N/A	Switch Boot		X	X		X	X	X	X	X	X	
HS167	271612-2	Motor Starter Switch							X	X	X	X	
HS168		Switch Guard											
HS173	87714-42-1	Relay					X	X		X	X	X	
HS186	H38294-1	Switch Yoke					X	X					
HS187	87711-243-2	Proximity Switch					X	X					
HS188	122342-5	Lighted Knob Assy Complete		X	X	X							
HS189	122342-5	Threaded Rod		X	X	X							
HS190	122342-5	Coupling		X	X	X							
HS191	122342-5	On-Off Knob		X	X	X							
HS192	76902	Knob Disc		X	X	X	X	X					
HS193	N/A	On-Off Knob					X	X					
HS194	70446	Speed Selector Knob - part of assy			X	X					X	X	
HS195	87711-308	Switch									X		
HS207	439043	On-Off Knob							X	X	X	X	
HS208	478297	High-Low Knob								X		X	
HS209	87711-325-1	Rocker Switch											X
HS215	87714-069-1	Timer Relay								X	X		
HS262	439042-1	Pilot Light							X			X	

HOBART

DATE: _____

CUSTOMER # : _____

COMPANY NAME: _____

CONTACT NAME: _____

PO # : _____

SHIP METHOD: _____

Return Shipping
BILL ADDRESS: _____

SHIP To ADDRESS: _____

PHONE: _____

CREDIT CARD # : _____

EMAIL: _____

EXP DATE: _____

CVC # : _____

Rebuild Part # _____

Qty to Rebuild: _____

Rebuild Part # _____

Qty to Rebuild: _____

Rebuild Part # _____

Qty to Rebuild: _____

Rebuild Part # _____

Qty to Rebuild: _____

Additional Items to ship with this order:

Part Number _____

Quantity: _____

Part Number _____

Quantity: _____

Part Number _____

Quantity: _____

Part Number _____

Quantity: _____

Part Number _____

Quantity: _____

Part Number _____

Quantity: _____

Part Number _____

Quantity: _____

Part Number _____

Quantity: _____

Part Number _____

Quantity: _____

Part Number _____

Quantity: _____

Part Number _____

Quantity: _____

Part Number _____

Quantity: _____

Part Number _____

Quantity: _____

Notes, Instructions: _____

NBS #	OEM #	Page #
BAGEL KNIFE	7107-7053	C, 58
B001-177	177	74
B001-177-AA1	177	74
B002-119V	119	74
B004-131N	131	77,78,79
B004-131S	131	77,78,79
B005-179	179	77,78
B006-175	175-S	74
B008-311	311	76
B009-295	295	77,78
B009A-295	295	77,78
B010-159	159	76
B011-265	265	75
B012A-128	128	74
B016-334	334-6	74
B017-268	268	74
B018	S16290	79
B018AC	AS16290-1	79
B019	S295-SS	79
B019A	A295	79
B020-159	159	76
B021-244	244	77,78,79
B022-229	229	77,78,79
B024-130	130	77
B024A-130/N	130	77
B024A-130/NS	130	77
B024A-130/S	130	77
B026-291L	291	77,78,79
B026-291S	291	73,77
B027-16	16	77
B027A-16	16	77
B028-415	415	74
B028A-415	415	74
B029	S290	79
B029AC	AS290	79
B030	175-2-S	73,77,78,79
B031-193	193	73
B032-361/22	361	68
B032-361/33	16361 A361	69
B032-361/34	34361	71
B032-361/44	361	72
B032A-361/100	NA	64,69
B032A-361/22	A361	64,68
B032A-361/33	16361	64,69
B032A-361/34	34361	64,71
B032A-361/44	18361	64,72
B032A-361/523	A361	68
B033-247	247	66
B033A-247	A247	64,66
B035-14,14A	14	81
B037-16Z	16	78,79
B037AC-16	16	78,79
B037AC-16/SN	16	78,79
B039-304	304	76
B040	HN35S	80
B041-11	11	80
B042-240	240	80
B043-3L	15003	64
B043-3U	15003U	64
B043A-3U	A15003U	64
B044-311	311	76
B045-602	602	73
B046-604	604	77
B047-605	605	79
B048-290	290	77
B048A-290	290	77
B048AC-290	603	77
B049-248	248	66
B049-248/44	18248	67
B050-237	237	66,67

NBS #	OEM #	Page #
B051-238	238	66,67
B052-1	1	66
B053-230	230	66
B054-252	252	66
B055-601	601	73
B055A-601	601	73
B056-603	603	77
B056A-603	NA	77
B057-231	231	68,69,71
B057-231/44	231	72
B057A-362/22	NA	68
B057A-362/33	NA	68,69,71
B057A-362/44	NA	72
B058-362/22	362	68
B058-362/33	362	68,69,71
B058-362/44	362	72
B059-212/14	14212W	76
B059-212/22	212	76
B059-212/33	212	76
B059-212/44	18212W	76
B060F-300	300	68,69,71
B060F-300/44	300	72
B060R-300	277	68,69,71,72
B061-14	A16014	81
B062	S18189	80
B063-309	309	76
B064-290ST	290	78
B064AC-290ST	290	78
B065-200	200	76
B066	16159	76
B067-247	247	67
B067A-247	A18247	64,67
B068-189	189	80
B069-1	1	67
B070-230	230	67
B071-252	252	67
B072-303	303	69,71
B072-303/22	361	68
B072-303/44	303	72
B073A	34-239-B30	81
B074	116-22	73
B075	118	80
B076	S253	65
B078A	S12335X	64,65
B082-44	232	81
B083-3334	16232	81
B084	513	66
B085	512	67
B086	44-602	74
B087	44-119ZP	74
B088	117S	74
B090-331	331-1	76
B091A-U	A12003U335	64
B091L	12003	64
B091U	12003U	64
B092	663	73
B093	267	75
B094	270	75
B095	14255	73
B096	S262	75
B097	264-1	75
B098	198	80
B124-3L	16003	64
B124-3U	16003U	64
B124A-3U	A16003U	64
B130	10-1	80
B131	S19	80
B135-3L	18003	64
B135-3U	18003U	64
B135A-3U	A18003U	64

INDEX

NBS #	OEM #	Page #
B136A	A19	80
B137A	16335X	64,65
B138A	A16003U-6	64
B139	111	80
B140	196	80
B141	197	80
B142	360	69
B143A	A16547	64,69
B144	16132	77
B145	16155-2A	76
B146	16155-2B	76
B147A	NA	80
B148A	A15003U335	64
B149	44-196	80
B150	44-111	80
B151	271	75
B152A	A262	75
B154	18198	80
B155	S200B1	73
B156	179-1	74,77,78
B157	211D	73
B158	16278	75
B159	HHS049NL	75
B160	S16275	75
B161	272-8	75
B162A	AS16275	75
B164	14275	75
B165	14275-5	75
B166A	A14275	75
B167U	14003U-6	64
B168A-U	A14003U-6	64
B169A	A14003U335	64
B170	14746	70
B171	16543	70
B172	280	70
B173	14544	70
B174	14545	70
B175	14710	70
B176	16517	70
B177A	14548/1454	70
B178	14548	70
B179	14549	70
B180	16547	70
B181A	A16547	64,70
B182A	NA	64,70
B183L	14560	64
B184	260	81
B185	260	81
B186	360	69,70,81
B187	18019	80
B188	18010	80
B190	12272	75
B191	14272	75
B192	16272	75
B193	18272	75
B195	S16335XE	65
B196	14781	65
B197	1455455178	65
B198	14779-1	65
B199	1962	65
B200	AN15S/S048	65
B201	14786	65
B202	211	73
B203	NA	75
B204	NA	75
B205	4436-361	72
B206	16112	81
B207A	AS16335XE	64,65
B208A	A16003U335	64
B209	14782	65

NBS #	OEM #	Page #
B210	14780	65
B211A	A116-22	73
B212A	A116-2214	73
B213	18118	80
B214	14783	65
B215	19CB	80
B216	14785	65
B217	256P	76
B218	HHS 0481S	65
B219	S14335XE	65
B220A	S14335XE	65
B221A	A1400U3356	64
B222	16220-1	76
B223	194KS-1	1,73
B224	HHS035S	78,79
B225	530	66
B226	16560	64
B227	14789	65
B230-3UDF	16003UDF-6	64
B231A-3UDF	A16003UDF6	64
B232A-3UDF	A16003U335	64
B233A-3UDF	A16003UDF3	64
B234-3LDF	16560DF	64
B240	211Q	73,78
B301F	T3116	37
B302B	T3117	37
B303	T3075	38,40
B304F	T3181-1	38,40
B305B	T3181-2	38,40
B306F	T3082	38,40
B307B	T3083	38,40
B308	T3178	38
B309-139	Tenderizer	38,40
B310	T3036	38
B311	T3031-12	38,40
B312F	T3131	37,39
B313B	T3132	37,39
B314F	TA3131	37
B315B	TA3132	37
B316	T3130	37
B317	T3247-1	37,39
B318	T3157	37,39
B320A	TA3130	37
B321	T3200A	38
B322	T3105	38
B323	T3186-4A	38
B324	T3101-2	38
B325	T-3247-5	37,39
B326	TA3096M-2	37
B327	T3200M	38
B328	Tenderizer	38,39,40,166
B329	T3064	37
B330	T3079-2	38
B331A	TA3130-5A	39
B332	TA3130-1	39
B333F	TA3131-5	39
B334B	TA3132-20	39
B335F	T3116-5	39
B336B	T3117-5	39
B337	T3300	40
B338	T3031-11	40
B339	T3031-11	40
B340	T3036-1	40
B341	T3006	37
B342	T3185M-120	38
B343	T3079-9	38
B601	CR12	10
B602	CR22	10
B603	HR42/48	11
B604	CK12	10,27,29

NBS #	OEM #	Page #	NBS #	OEM #	Page #
B605	CK22	10,27,29	BB009-46A	46A 90612	101
B606	HK-48	11,27,29	BB010-66	66E 94243	99
B607	42MC-16CZ	11,27,29	BB011-62B	62B 90700	95
B608	CS12	10	BB012-456	45 10037	101
B609	C670	10	BB013-65C	65C 10418	98
B610	HR52	10,12	BB014-30A	30A 10140	90
B611	NA	10	BB015-3B	3B	102
B613	C937	10	BB017A	58E 10307	102
B614	NA	11	BB018A	58F 59390	102
B615	H570	11	BB019-7	10150	88
B616A	CS12A	10	BB019A-7	10574	86,88
B617A	CS22A	10	BB019A-7/N	10574 1002	88
B618A	CS22A-OS	10	BB020-23	10575	89
B619A	HS46A	11	BB020A-23	10575	87,89
B620	7298-1	10	BB020A-23/2RS	10575	89
B621	BMC-Y21R-3	10	BB020A-23/N	10575	89
B622	HK52/56	12,27,29	BB021A	10384	102
B623	53693-M	13	BB022	10203	95
B624	181-0816	13	BB023	20678	100
B625	181-0817	13	BB023A	20678A	100
B626	563021	13	BB024-39	0039-16030	96
B627		13	BB025-56C	056C-10143	101
B628	42MC-16AZ	11	BB026-35	20035	100
B629	HS48A	11	BB027	10714	92,96
B630A	HS48A	11	BB028	20247	100
B639	52392	13	BB028A	20225 89	100
B640	H339-1	10,13	BB029-52A	052A-10369	96,97
B641	B42MC-Y90A	10,13	BB030-69A	069A-10011	95,101
B642	53952	9,13	BB031-69B	069B-10335	95,101
B643	56139	9,13	BB032-69/12	0069-12047	95
B644	56113	9,13	BB032-69/14	0069-16047	95
B645	EMG90015	13	BB032-69/16	69	95
B646	50768	13	BB033-61C	061C-10044	95
B647	50769	13	BB034	20055	100
B648	EMG90194	13	BB035	160132	102
B649	EMG90180	13	BB036	16092	90,91
B650	56303 5630	13	BB037-11B	011B-10098	101
B651	56300 BEL	13	BB038	10430B	102
B652	56300D	13	BB039-59	0059-10277	91,97,100
B653	563021	13	BB040A	10377	90,91,92,97,100
B658	B42MC-16BY	11	BB041-66	017B-10460	97,98,99,100
B659A	B42MC-16BY	11	BB041A-66F	017B-10460	97,98,99,100
B660	PC175-1	9	BB041A-66S	015A-10464	97,98,99,100
B661	57159	12	BB042-65H	065H-10305	97
B662	53785	12	BB042A-15A	10304	97
B663	56103	12	BB043	10199	98,99,100
B664	56097-S	12	BB044-67A	067A-10248	98
B665	56097-L	12	BB045-66D	066D-10299	99
B666	56095-P	12	BB045A-17A	10298	99
B667	H509	12	BB046-40	0040-10270	96
B668	MC29	12	BB047-38A/12	038A-12048	96
B669	MC-105	12	BB047-38A/14	038A-14048	96
B670	H309	12	BB047-38A/16	038A-16048	96
B671	53953	12	BB048-34/12	34	91
BB001-20	20 10000	97,98	BB048-34/14	0034-14043	91
BB001A-20A/L	20A FH55-1	92,96,97	BB048-34/16	0034-16046	91
BB001A-20A/S	15B FH55-1	94,97,98	BB049-6A	006A-10258	88
BB001SA-2069	69 20143	93,98	BB051-41C	041C-10127	88,89
BB002-21V	21 10002	92,97,98	BB052-41D	041D-90400	88
BB002-21VC	20785	92,97,98	BB053-35	0035-10210	91
BB003-53V	53 10074	96,98	BB054-60	060B-10297	95
BB003-53VC	53 10353	98	BB055	20-96a	100
BB004-3F	3F 10272	102	BB055A	20-88	100
BB005-33	33 10040	90,91,92,97,100	BB056-624	062A-10284	95
BB006-73F	73A 10300	97,99,100	BB057-61A	061A-10314	95
BB006-73S	73 10310	97,99,100	BB058-61B	61B 10211	95
BB007-68	10313	95	BB059-23B	023B-59347	89
BB008-11F	11A 10065	101	BB060-24C	024C-90201	89
BB008-11U	11U 10068	101	BB061-63B	063B-94712	95
BB008-11V	11V 10064	101	BB062-65D	065D-10197	97

INDEX

NBS #	OEM #	Page #
BB063-23A	023A-94700	88,89
BB064-94	160094	99
BB065A-95	160095	99
BB066	16060	101
BB067	30092	94,98
BB068	20920	92
BB069	NA	93,95
BB071-8A	008A-10280	91
BB072-56F	056F-10293	101
BB073-31A	031A-10278	91
BB074-31C/12	31C-12044	91
BB074-31C/14	31C-14044	91
BB074-31C/16	31C-16044	91
BB075-31E	10082	90,91,92
BB076-31D	031D-10120	91
BB077-41A	041A-10030	88
BB078-41	0041-10031	88
BB079	30090	94,98
BB080-169	16040	86
BB080A-169	16038	86
BB081-1610	16041	87
BB082-149	0009-1404D	86
BB082A-149	009A-14038	86
BB083-1410	0010-14041	87
BB084	10712	92,96
BB085AH-14	009B-14205	86
BB086AH-16	16203	86
BB087A-18	0018-16042	86,91
BB088A-18	0018-14029	86,91
BB089A-18	0018-16042	86,91
BB090-7016	070-16069	102
BB091-7014	070-14069	102
BB092-7012	070-12069	102
BB093	30134	94,98
BB094	39A	96
BB095-14A	10266	92,96
BB096-37A	90600	96
BB097-3D	0097-3D	102
BB098-63	0063-10315	95
BB099A-14	90	96
BB100	10606	90,102
BB101A	16089	90
BB102A	16059-B	86
BB103AH-16	0016205-B	86
BB104	16511	90
BB105U	12040	86
BB106L	12041	87
BB107A	12038	86
BB108AH-12	12205	86
BB109A	20255	86
BB110	10056	90
BB111	35A	90
BB112	10034	90
BB113U	20156	86
BB114L	20157	87
BB115A/16	16535	95
BB116A/14	14335	95
BB117A/12	12335	95
BB118	10000	97,98
BB119LH	BB10036	98
BB120A	10246	99
BB121	BB1640S	99
BB122A	10260	101
BB123A	10025 1008	87
BB124	10024	87
BB125	1612C	89
BB126	1641B	87
BB127A	1611C	101
BB128A/16	10316	95
BB129	14072	95

NBS #	OEM #	Page #
BB130	10291	95
BB131	10287	95
BB132	16034	90
BB133	95084	92,96
BB134	10033	90
BB135	16090	90,92
BB136	16095	90,92
BB137	20687	93
BB138	20211	93
BB139	52A/20213	93
BB140	20896	93
BB141A	20340	93
BB142	20215	93
BB143	20217	93
BB144	20652	92
BB145	20655	92
BB146A	160238	101
BB147	90343	101
BB148	160236	101
BB149A	NA	101
BB150	20781	92
BB151	20782	92
BB152	20789	92
BB153L	10283	91,93
BB154R	10282	91,93
BB155	30084	94
BB156	90306	94
BB157	30014	94
BB158	90315	94
BB159	90313	94
BB161	90302	94
BB162	20902	90,92
BB163	NA	87
BB164A	20540	86,90,92
BB165A	20337	86
BB166	90437	94
BB167	93855	102
BB168	36181	94
BB169	90649	94
BB170	59249-7	94
BB180	20108	87
BB181A	20254	87
BB190A-LH	20726	100
BB191A-LH	20725	100
BB192A	20653	92
BB193A	20656	92
BB194-LH	16324	86
BB195-LH		87
BB196A-LH		86
BB197	90417	94
BB198	90226	94
BB199	90765	93
BB200	90756	92,93
BB201	20258	92
BB202	10118	102
BB203	10730	90
BB204	20649	92
BB205	16621/1662	90
BB206-LH	20156	86
BB207A-LH	20255	86
BB208A-LH	30338,20337	86
BB209-LH	20157	87
BB210A-LH		86
BB501	12521B	14
BB502	22023	14
BB503	32031	14
BB504	12520	14,27,29
BB505	22024	14,27,29
BB506	21038	14,15,27,29
BB507	44212A	14

NBS #	OEM #	Page #	NBS #	OEM #	Page #
BB508	21006	14	BK116	NA	60,61
BB509	59060	15	BK118	NA	60,61
BB510	52026	15,26,29	BK120		60,61
BB512	22042	14	BK122	NA	60,61
BB513	12557 (34)	16	BK124	NA	60,61
BB514	T5-23-55	16	BK126	NA	60,61
BB515	90506	16	BK128	NA	60,61
BB516	90508	16	BK135	NA	60,61
BB517	90507	16	BK142	NA	60,61
BB518	0093020/01	16	BK150	NA	60,61
BB519A	22042	14	BK154	NA	60,61
BB520	NA	16	BMB100/204	277	66,68,69,84
BB521	32	16	BMB523/578	363	68,69,70,71,84
BB522	90409	16,17	BMB523/590	227	67,72,84
BB523	90413	16,17	BRK-1	NA	82
BB524	90308	16	BRK-2	NA	82
BB525	90309	16	BRK-4	NA	83
BB526	90302	16	BRK-5	NA	83
BB527	90307	16	BRKFW	NA	82
BB528	90410	16,17	BS001	NA	57
BB529	21022	16	BS002	A3000-1	57
BB530	53016	15	BS003	2374-0010	57
BB531	12542	14	BS004	2675-0646	57
BB532A	12542	14	BS005	2275-0063	57
BB533	32042	14	BS006	4575-0208	57
BB534A	32042	14	BS007	3675-0061	57
BB535	42542	15	BS008	4175-0032	57
BB536A	42542	15	BS009	4175-0031	57
BB537	59208	15	BS010	3375-0990	57
BB540	59224	15	BS011	3675-0219	57
BB541	21032	16	BS013	4903-1F	57
BB543	95240	9	BS014	7325-8C	57
BB544	95173	9,17	BS015	2275-00267	57
BB545	95240	9,17	BS016	4975-9165	57
BB546	95173	9,17	BS017	4903-1F	57
BB547	NA	9,17	BS018	NA	57
BB550	90406	17	BS019	2375-0120	57
BB551	90408	17	BSGB2233	228	73,77,84
BB552	90413	17	BSGB3444	228	78,79,84
BB553	90404	17	BSGBN2233	228	73,77,84
BB554	90405	17	BSK-1	3675-0070	146,148
BB555	90638	16	BSK-3	3633-5024	146,148
BB556		17,26	BSK-4	3675-00277	146,148
BBLMB	0024-90300	89	BSK-5	829-00073	146,148
BBLMBN1	90300	89	BSR345	A-07333-5	57
BBLMBN2	6 90302	89	BST-1	3675-0076	146,150
BBRK-1	NA	103	BST-3	B9-00612	150
BBRK-3	NA	103	BST-4	4748-3	150
BBRK-5	NA	103	BST-6	3633-5020,2	146,150
BBSGB	27 90301	96,97	BST-7	825-112111	146,150
BBSGBN	52	96,97,100	BST-8	829-408409	146,150
BBUMB	6 90302	88	BST-9		146
BBUMB1	6 90302	88	BT001	3275-0014	36
BBUMB2	6 90302	88	BT002	3475-0105	35
BBX100	NA	26,90	BT003	3675-0051	34
BBX200	0221 59188	14,15,23,26	BT004	4175-0020	34
BBX500	59233	15,26	BT005	2675-15	34
BK072	NA	60,61	BT006	4575-0060	36
BK074		60,61	BT007	4575-0060	36
BK078	NA	60,61	BT008	2175-0078	36
BK082	NA	60,61	BT009	2275-0087	34
BK091	NA	60,61	BT010	A-3000-1	34
BK096	NA	60,61	BT011	2675-0036	34
BK098	NA	60,61	BT012	2675-0002	34
BK102	NA	60,61	BT013	4375-0026	34
BK105	NA	60,61	BT014	3675-0050	34
BK106	NA	60,61	BT015	2175-0072	34
BK108	NA	60,61	BT016	3375-0157	35
BK112	NA	60,61	BT017	3275-0012	35
BK114		60,61	BT018	3375-0156	35

INDEX

NBS #	OEM #	Page #
BT019A	N/A	35
BT020A	4675-0103	35
BT021	4375-0021	35
BT022F	4675-0107	35
BT023R	4675-0105	35
BT024F	4575-0059	36
BT025R	4575-0061	36
BT026F	4375-0029	36
BT027R	4375-0030	36
BT028	3375-0164	36
BT029	NA	35
BT030	3475-0103	35
BT031	Tenderizer	36
BT033	9234-0020	35
BT036	UNIVERSAL	36
BT100	3475-0697	35
BT104	6475-0697	35
BT140	N/A	36
BT141	N/A	36
BX100	H340, 56300R	11,12
BZ001	5745164000	160
BZ002	6022010280	164
BZ003	6061000012	164
BZ004	6036030490	164
BZ005	4022040200	162,163
BZ006	4022040060	162
BZ007	5775380000	162
BZ008	5000949000	161
BZ009	6035040220	163
BZ010	5697277000	163
BZ011	N/A	163
BZ012	5673906000	163
BZ013	N/A	163
BZ014	6014010460	163
BZ015	5000117000	162
BZ016	4053030002	161
BZ017	4053030002	161
BZ018	6035040150	162
BZ019	5697277000	162
BZ020	6035040410	163
BZ021	5000094000	161
BZ022	5777882000	161
BZ023	5636291000	161
BZ024	5777865000	161
BZ025	5777334000	161
BZ026	5636285000	161
BZ027	7112367000	164
BZ028	6051010003	161
BZ029	0011010100	164
BZ030	6035120000	163
BZ031	4022040200	163
BZ033		163
BZ034	NA	163
BZ035	560 861 00	162
BZ036	5744272	162
BZ037	NA	164
BZ038	6035040280	162
BZ039	5644860000	160
BZ040	6051070001	160
BZ041	6061000124	164
BZ042	5773625000	164
BZ043	5773660000	164
BZ044	Slicer	164
BZ049	5645540000	162
BZ050	6035040080	163
BZ051	6035040370	162
BZ052	6035100020	162
BZ053	6035360270	162
BZ054	6022330030	162
BZ055	6035400301	162

NBS #	OEM #	Page #
BZ056	5680570000	162
BZ057	Slicer	162
BZ058	5645660000	162
BZ059	6022040170	163
BZ062	6037011400	161
BZ063	6037011250	163
BZ064	6037011250	163
BZ065	6037011250	163
BZ066	6036020060	162
BZ068	5000953100	161
BZ069	5000953200	161
BZ071	4022010250	164
BZ074	6037040440	162
BZ075	6036010550	164
BZ076	5000101000	164
BZ077	NA	164
BZ079	5775360000	164
BZ080	5775080000	164
BZ081	6036010550	164
BZ088	6037010210	164
BZ089	5000102000	164
BZ091	NA	163
BZ092A	6037080010	160
BZ093	6022060090	160
BZ094	Slicer	160
BZ095	Slicer	160
BZK-3	4022000070	146,160
BZK-4	6053010150	146,160
BZST-1	4022060160	146,160
CC16	NA	1,3
CC32	NA	1,3
GK12-F	NA	8
GK12-S	NA	8
GK22-F	NA	8
GK22-S	NA	8
GK32-F	NA	8
GK32-S	NA	8
GK52-P	NA	8
GK52-S	NA	8
GK56-S	NA	8
GP12-12	NA	6
GP12-14	NA	6
GP12-18	NA	6
GP12-316	NA	6
GP12-34	NA	6
GP12-38	NA	6
GP12-K	NA	6
GP22-1	NA	6
GP22-12	NA	6
GP22-14	NA	6
GP22-18	NA	6
GP22-316	NA	6
GP22-34	NA	6
GP22-38	NA	6
GP22-K	NA	6
GP32-1	NA	6
GP32-12	NA	6
GP32-14	NA	6
GP32-18	NA	6
GP32-316	NA	6
GP32-34	NA	6
GP32-38	NA	6
GP32-K	NA	6
GP52-1	NA	6
GP52-12	NA	6
GP52-14	NA	6
GP52-18	NA	6
GP52-316	NA	6
GP52-34	NA	6
GP52-38	NA	6

NBS #	OEM #	Page #	NBS #	OEM #	Page #
GP52-K	NA	6	GR11	NA	8
GP56-12		6	GR12	NA	8
GP56-18		6	GR13	NA	8
GP12-2F-12	NA	7	GR14	DP-04-12	8
GP12-2F-14	NA	7	GR15	DP-06-24	8
GP12-2F-18	NA	7	GR16	CP12	8
GP12-2F-316	NA	7	GR17	CP22	8
GP12-2F-34	NA	7	GR18	42MC-15BPP	8
GP12-2F-38	NA	7	GR19	HP52	8
GP12-2F-K	NA	7	GR20	DP-05-24	8
GP22-2F-12	NA	7	GR21	59232	8
GP22-2F-14	NA	7	GR30	V-3310	18, 30
GP22-2F-18	NA	7	GR31	NA	30
GP22-2F-316	NA	7	GR32	NA	30
GP22-2F-34	NA	7	GR33	V4221	18, 30
GP22-2F-38	NA	7	GR34	NA	30
GP22-2F-K	NA	7	GR35	NA	11,12,15,19,30
GP32-2F-1	NA	7	GR36	NA	11,12,15,19,30
GP32-2F-12	NA	7	GR37	NA	11,30
GP32-2F-14	NA	7	GR38	NA	11,12,15,19,23,30
GP32-2F-18	NA	7	GR39	NA	11,12,15,19,23,30
GP32-2F-316	NA	7	GR40	05-00344	23,30
GP32-2F-34	NA	7	GR41	05-00345	23,30
GP32-2F-38	NA	7	GR42	05-00345	25,30
GP32-2F-K	NA	7	GR47	NA	32
GP52-2F-1		7	GR48	NA	32
GP52-2F-12		7	GR49	NA	32
GP52-2F-14	NA	7	GR50	NA	32
GP52-2F-18	NA	7	GR51	NA	32
GP52-2F-316	NA	7	GR52	NA	32
GP52-2F-34		7	GR53	NA	32
GP52-2F-38	NA	7	GR54	NA	32
GPF12-12	NA	7	GR55	NA	32
GPF12-14	NA	7	GR56	NA	32
GPF12-18	NA	7	GR57	NA	32
GPF12-316	NA	7	GR58	NA	32
GPF12-34	NA	7	GR60	NA	32
GPF12-38	NA	7	GR61	NA	32
GPF12-K	NA	7	GR62	NA	32
GPF22-12	NA	7	GR63	NA	32
GPF22-14	NA	7	GR64	NA	32
GPF22-18	NA	7	GR65	NA	32
GPF22-316	NA	7	GR66	NA	32
GPF22-34	NA	7	GR67	NA	32
GPF22-38	NA	7	GR68	NA	32
GPF22-K	NA	7	GR70	NA	32
GPF32-14	NA	7	GR71	NA	32
GPF32-18	na	7	GR72	NA	32
GPF32-316	NA	7	GR73	NA	32
GPF32-38	NA	7	GR74	NA	32
GPF32-K	NA	7	GR75	NA	32
GPH32-1	NA	6	GR76	NA	18, 30
GPH32-14	NA	6	GR77	NA	18, 30
GPH32-18	NA	6	GR78	NA	18, 30
GPH32-316	NA	6	GR79	NA	18, 30
GPH32-34	NA	6	GR80	NA	24,30
GPH32-38	NA	6	GR81	NA	24,30
GPH52-14	NA	6	GR82	NA	24,25,30
GPH52-18	NA	6	GR83	NA	24,25,30
GPH52-316	NA	6	GR84	NA	30,14
GPH52-38	NA	6	GR85	NA	30,14
GR01	NA	31	GR86	NA	30,10
GR02	NA	31	GR87	NA	30,10
GR03	NA	31	GR88	NA	30,10
GR04	NA	31	GR89	NA	30,10
GR05	NA	14,31	GR90	12524	30,14
GR06	NA	14,31	GR91	22022	30,14
GR07	57051	31	GR92	32024	30,14
GR08	H506-SLD	31	GR93	59273	30,14,30
GR10	NA	8	GR94	59274	30,14,30

NBS #	OEM #	Page #	NBS #	OEM #	Page #
GRX100	NA	16, 18,23,26	GS69-1	436-5NS	177
GS01-263	263	177	GS70	436-1	177
GS02-652	652/817	177	GS71-359	359	179
GS04-251	215-A	172	GS72-357	357	179
GS05-253	253	172	GS73-3	864	179
GS06	869-A2	180	GS74	395	167,169,171
GS07	473	172	GS75	277	177
GS08-747B	747-17B	167,169,171	GS76	278	177
GS08-747F	747-17	167,169,171	GS77	391-1	167,169,171
GS08-747P	747-17N	167,169,171	GS80	436-7	177
GS09-373	373	167,169,171	GS81-2B/64	766-2B	178
GS10-245	245	172	GS82	943-2	172
GS11-246	476-246	172	GS83	726-6	172
GS12-384	384	172	GS84	766-5-S	178
GS12-384-1	384-1	172	GS85	932	167
GS12-384-2	384-2	172	GS86	739-AS	177
GS12-384-3	384-3	172	GS87	703-1	178
GS13-386	386	172	GS88	708	178
GS14-799	799	172	GS89	N/A	174
GS15-822-6	822-6	172	GS91	705-1	178
GS16-481	481-1	174	GS92A	349-A	179
GS17-798	798	174,175	GS93	513	180
GS18-377	377	171	GS94	855	180
GS19-747-5	747-5	167	GS95	132-3	180
GS20-380	G-0126	171	GS96	612	178
GS21-382-2	382-2	171	GS97	821-4	178
GS22-747-10	747-10	167	GS98	741-6	176
GS23-832	261	166,172	GS100	747-12	167
GS25-441	441	176	GS101	820-890	178
GS26-741	741	176	GS102	762-4	178
GS27	741-PC2/3	176	GS103	831	178
GS28	741-PC567	176	GS104	879	166
GS29	741-4/5A	176	GS105A	463-AS	173
GS31	741-3	176	GS106A	467-AS	173
GS32	747-16	167,169,171	GS107A	N/A	173
GS33A	NA	167	GS108	861	177
GS34	955-3	172	GS109	444	172
GS35	858-1	177	GS110	N/A	178
GS36-487-3	487-3	174	GS111	952-9	181
GS38-747-6	747-6	167	GS112	461	173
GS39-747-9	747-9	167	GS113A	471-HS	173
GS40-381	381-A	171	GS114	458	173
GS41-381A	381A	171	GS115	456AS	173
GS42-707	707-B	178	GS116	459	173
GS43-833A	833A	178	GS117	N/A	179
GS44	747-1S	167	GS118	482-B	174,175
GS45-7	747-7	167	GS119	N/A	177
GS46-5	766-5	178	GS120	743-AS	174
GS47-6	766-6	178	GS121	740	174
GS48A	829-1,2,3,	172	GS122	743-1,2	174
GS49-383	383	171	GS123A	741-3A + 2	176
GS50	829-2	172	GS124	830-1	178
GS51	747-19	167	GS125	741-1	174
GS52-3H	741-3H	176	GS126	449	177
GS53	747-13	167	GS127	711	180
GS54	747-14	167	GS128-1	710-1	180
GS55	N/A	179	GS129	757	179
GS56	758	179	GS130	774-1	180
GS57-370	370	167,169,171	GS131	497-1	180
GS58-777	777	178	GS132	497-2	180
GS59-830	830	178	GS133	513-1	180
GS60-785	785	180	GS134	513-3	180
GS61-307	307-1	174	GS135	514	180
GS62-306-1	306-1	174	GS136	758-1	179
GS63	375	167,169	GS137	791	179
GS64A-1	747-AS	167	GS138	712	180
GS65-2	747-2	167	GS139	764-12	178
GS66	747-11	167	GS140	873	177
GS67	747-4	167	GS142	499	174
GS68	747-3	167	GS143A	830-2	178

NBS #	OEM #	Page #	NBS #	OEM #	Page #
GS144	856-2	179	GS212	962-1	175
GS145	747-8	167,169,171	GS213	962-7/245-	175
GS146A	710	180	GS214	962-5	175
GS147	771-1	180	GS215	699-32	175
GS148	771-2	180	GS216A	453-AS	179
GS149	833-A	180	GS219	37	166
GS150	861-L	177	GS220	455	173
GS151	739-3	177	GS221	610	178
GS152	854-1	180	GS222	407-1B	179
GS153	952-11	181	GS223	356-1	179
GS154	741-2	176	GS224	Slicer	170
GS155	493	179	GS230	1193	170
GS156	747-18	167,169,171	GS231	1195	170
GS157A	102-AS-6	174	GS232	1194	170
GS158	943-4	167	GS233	1092	170
GS160RB	NA	167	GS234	1090	170
GS160RF	N/A	167	GS235	1037	170
GS160RP	NA	167	GS236	1241	170
GS161	909-1	178	GS237	1085	170
GS162	441	176	GS238	1106	170
GS163	741	176	GS239	1086	170
GS164	741	176	GS241S	410020	170
GS165	863	179	GS242P	1059	170
GS166	741	176	GS243	1083	170
GS167	388	171	GS244	1087	170
GS168	972-5P	169	GS245	1215	170
GS169A	747-1 AS	167	GS246	1221	170
GS170A	822	172	GS247	1237	170
GS171A	10-A	173	GS248R	1094	170
GS172	N/A	167,169	GS249A	1094	170
GS173	747-4	171	GS250HD	1084	170
GS174	747-3	171	GS251	952-10-B	181
GS175	972-3P	169	GS252	952-10	181
GS176	972-6P	169	GS253	952-10-OP	181
GS177	972-7P	169,170	GS255	952-10-BS	181
GS178	972-5P	169,170	GS258A	102-as-13	175
GS179	972-4P	169	GS260	741-SS1	176
GS180	972-8P	169,170	GS261	741-SS2	176
GS181	972-1P	169	GS262	741-SS3	176
GS182	972-2P	169	GS263	741-SS4	176
GS183	972-9P	167,169,171	GS265	Slicer	180
GS184	972-10P	169	GS270	NA	170
GS185RB	NA	169	GS271	699-1W	175
GS185RF	N/A	169	GS272	699-18	175
GS185RP	NA	169	GS275	NA	180
GS186A	972-P-AS	169	GS276	1056	172
GS187A	972-P-AS-1	169	GS277	475	173
GS188A	972-P-AS-2	169	GS278	167-1	174,175
GS189	952-8	180	GS279	820045	170
GS190A	10-A-1	173	GSK-1	1022	147,166
GS191	825	173	GSK-3	500	147,166
GS192	825-1,2,3	173	GSK-4	510	147,166
GS193	857-1	177	GSK-5	Slicer	147,166
GS194	140011	181	GSK-6	Slicer	147,166
GS195	495	173	GSK-7	Slicer	147,166
GS196	448	173	GSK-8	Slicer	147,166
GS197	450-H	173	GST-1	N/A	147,166
GS199RB	NA	171	GST-2	Slicer	147,166
GS199RF	N/A	171	GSX100	N/A	171
GS199RP	N/A	171	GSX200	N/A	167
GS200	940-FSH	175	GSX400	Slicer	173
GS201	940-6	175	GSX500	N/A	174
GS202	940.10	175	H001	V-20865	120
GS203	477	173	H002	V20845	120
GS205-XX	982.4	178	H003V	M20836	120
GS207A	102-AS-X	175	H004	M220027	120
GS208	962-S	175	H005	M20839(OB)	120
GS209	962-18S	175	H007	V20893(OB)	120
GS210	962-17	175	H008	BB-8-11	124
GS211	962-6	175	H009	M-23269	120

INDEX

NBS #	OEM #	Page #
H010	V20837	120
H011	V-20895	120
H012	M71363	120
H013	M71368	121
H014	110253	123
H015V	M71369	120
H016	M-20836	120
H017	M-23325	120
H018	M-20865	120
H019	RR-4-2	120
H021	M-20931	120
H023	20840	120
H024	291441	119
H026V	P-101929	118
H027	A102653	121
H028V	M71379	121
H029	M86340	121
H030	M101934	121
H032	M101924	118,121
H033	M101926	118,121
H034	SC-49-22	118,121
H035	SC-109-84	121
H036	SC-41-61	121
H037	A-113184	121
H038A	C113869-1	121
H039-13F	M60294	104,105
H040-14F	R72363	104,105
H040-5514F	A102342	104,105
H041-16F	M72364-1	104,105
H042S	NA	104
H044	M20851	104,116
H045	M68176	128
H046A	NA	128
H047	P-77318	124
H048A	P-86049	124
H049A	110254	123
H050A	B102399	122
H051	M77514	125
H052	71403	106,109,110,111,112
H053	79099	114
H054A	291575	119
H055A	104783	123
H056A	104349	123
H057	M71364	118
H058	M79686	104,116
H059	290842	119
H060	290861	128
H061	291447	128
H062	119827	124
H063	78920	125
H064A	292314	128
H065A	291502	128
H067	291531	128
H068A	292314	128
H069A	291501	128
H070-16US	71298	104,106
H070R	67241	106,107,108,114
H071-14US	67244	104,114
H072-13LS	20839	105,113
H072-13US	20856	104,113
H072R	67241	113
H073-5514US	c102496	104,108
H074-5216LS	79128	105,110
H075-5214LS	67242	105,114
H076-5216US	67242	104,107
H077-5016LS	71299	105,109
H078-5614LS	d119851	105,112
H079-5216LS	117016	105,111
H082-5216	S101054	128
H083	103178	107,108

NBS #	OEM #	Page #
H084	74424	125
H085	M67315	118
H086	SC-46-22	118,121
H087A	77846	125
H088	V21558	118
H089	M71362	118
H090	11851	125
H091-14	124056-1	125
H091A-14	120139-2	125
H092-16	R102877-2	125
H092A-16	124056-2	125
H093	A102342-2	118,125
H095	A103305	118
H095A	A103305	118
H095A-M	C113850	118
H096	M85397	125
H097	M77235	125
H098	M79155	125
H099	P71397-1	118
H100	B102521-2	118
H102A	B-110254	121
H103A	M-75864	118
H104	M78833-2	124
H105	M78833-3	124
H106	291658	122
H107	M83481	125
H108	NA	125
H109	WS18-36	125
H110	M77843	125
H111	P77848	125
H112	M71368	121,122
H113	B12170	123
H114	BB-8-14	115,117
H115	290803	104,115
H116	103288	107,108
H117	75752	106
H118	79088	114
H119	NA	115,117
H120	79756	130
H121	291650-1	122
H122	290844-1	119
H123	123886	123
H124-01	291670-1	122
H125-01	290844-1	119
H126	A290863	104,105
H127	292213	104
H128A	120469-3	130
H129A	71751	130
H130	75897	130
H131	A291675	124
H132	RR004-08	130
H133	78915	125
H134	77958	125
H135A	NA	124
H136	290789	124
H137	BB-13-1	130
H138	122922	106,107,109,110,111,113,114
H139	110551	108,112
H140	292278	105,114,117
H141	P78917	128
H142	75870	106
H143	67203	109,110
H144	SC-12-69	109,111,112,113,114
H145	NS-17-49	109,111,112,114
H146-1	SC-12-69	109,114
H146-2	B-114560	110
H146-3	114560	112
H146-4	114560	111
H147	290885	124
H148A	117022-2	105,112

NBS #	OEM #	Page #	NBS #	OEM #	Page #
H149	114562	111,112	H220	292361	131
H150A	NA	105,111	H222	WS-29-37	131
H152	67210	106,107,108	H223	BN-5-6	131,132
H153	SC-12-69	106,107,108,113,114	H224	290825	131
H154A	108227	104,108	H225	291662	131
H155	71295	107,108	H227	291594	131
H156	114562	109,110	H229	NA	131
H157	103290	107,108	H230	SC-41-50	131
H158	103036	106,107,108	H231	290748	129
H159	123192-X	109,110,111,112	H232	SC-55-2	115,117
H160A	NA	105,110	H233	NA	122
H161	75837	106,107,108,114	H234A	292314	128
H162A	NA	104,106	H235A	290849	119
H163	103022	106	H236	PB-2-26	118,119
H164	290844-1	119	H237	120388	124
H165A	NA	105,109	H238	BB-15-36	116
H166A	NA	104,107	H239	873501	116
H167	290806	115,117	H240	873502	116
H168	B-290805	115	H241	875056	119
H169	77841-2	122	H242	291435	127
H170	80040	111,112	H243	RR-004-13	116
H171	77319	109,110,111,112	H244	479143	116
H172	103029	107,108	H245	873461-1	116
H173	SC-41-2	119	H247	873461-2	116
H174	875235	121,122	H248	479142	116
H175	292273	115,117	H249	479144	104,116
H176	293510	107	H250	104999	104,117
H177A	292299	115	H251	NA	117
H178	291440	115	H252	NA	117
H179A	292275	104,115	H253	479107	124
H180	292276	119	H254	873789	124
H181	291670-1SS	122	H255	134048	104,117
H182	290822	123	H256	109658	105
H183A	290798	123	H257	BB-8-11	124
H184A	291658	123	H258	290770-3	127
H185	C121161	121	H259	290758-4	127
H186	293502	107	H260	SC-55-2	115,117
H187	18682-2	124	H261	109070-9	115,117
H188	SL-3-11	115,117	H262	290795	127
H189	291831	122	H263	290787	127
H190	20867	130	H264	RR-11-09	127
H191	M80540	124	H265A	104999	104,116
H192	M80538	124	H266A	134048	104,116
H193	M78833-3	115	H267	SC-067-16	116
H194	875234	122	H268	102322	118
H195A	291652-1	122	H269	290845	119
H196	290856	129	H270	SC-21-25	119
H197	SC-12-69	106,107,108,109,110,111,112	H271	290850	119
H198A	292347	126	H272	437676	128
H199	291431	126	H273	437676	128
H200	292347	126	H274	437676	128
H201	290769	126	H275	NA	128
H202	291933	126	H276	291502	128
H203	110544-9	126	H277	479153	128
H204	110544-10	126	H279	291556	129
H205	290792	127	H280	437608	128
H206	290757	127	H283	291653	122
H207	290770	127	H284	290771	129
H208	290758-2	127	H285	290771	129
H209	291932	126	H289A	873500	132
H210	701194	126	H290	435792	129
H211	SC-24-27	127	H291	875670	132
H212	290764	126	H292	NA	132
H213	NS-25-4	126	H293	NA	132
H214	SC-41-31	127	H294	NA	132
H215	77841-1	125	H295	NA	132
H216	77842-2	125	H296	NA	132
H217	120444-2	119	H297	NA	132
H218	RR-10-12	124	H298	NA	132
H219	291575	119	H299	NA	132

INDEX

NBS #	OEM #	Page #
H300	NA	132
H301	NA	132
H302	NA	124
H303	436908	129
H304A	N/A	119,124
H305		124
H306	NA	116,117
H307	436908	129
H308	SC-53-15	128
H310	78915-2	125
H311	77958-2	125
H312	KIT	115,117
H313	290846	119
H314	290788	128
H316	NA	116
H317A	873500	132
H318	N/A	118
H504	77667-2	18,19
H505	77643-2	18
H506	86050	19
H507	15877	28,29
H508	15880	18,28,29
H509	110576	19,28,29
H510	NS-048-57	26
H511	72981-1	26
H512	79891-2	26
H513	72981-3	26
H514	118266	26
H515	69862	26
H517	70487-3	22
H518	70486-1	22
H519	120388	22
H520	292953	19
H521	17588	28,29
H522	108197-4	21
H523	108197-1	21
H524	NA	18
H525	87711-2141	22
H526	292629	22
H527	115747-8	22
H528	87711-2131	22
H529	M-83681	21
H530	V-19105-1	21
H531	M-7201	18
H532	SC-9-96	21
H533	SC-60-10	21
H534A	p-68338	18
H535	87711-2161	22
H536	81997-23	22
H537	15881	18
H540	70388	19,21,28,29
H541	22306	21
H542	86163-1	22
H543	80538-1	22
H544	15881	19
H545A	P-111825	19
H546A	15878	18
H547	4284	18
H548	15878	18
H549A	4822	18
H550	BB-5-20	18
H552	X-10907017	18
H553	B-23618	18,20
H554	BB-6-40	18
H555	BB-17-9	18
H556	70487-6	22
H560	87711-60-1	22
H561	87711-60-1	22
H562	186725	9,21
H563	186724	9,21

NBS #	OEM #	Page #
H564	117591	9,21
H565	477924	9,21
H566	43787	9,21
H569	107993	9,21
H570	186713	19
H571	85961	19,20
H572	186714	19
H574	4776530002	22
H575	87711-2556	22
H576	478752-3	22
H577	87711-3223	22
H578	873427-2	22
H579	87711-2557	22
H580	478752-8	22
H581	87711-3225	22
H582	873427-2	22
H585	87711-1381	22
H588	69490	20
H589	105196	20
H590	108591	20
H591	186657	20
H592	105359	20
H593	105355	20
H594	123074-3	20
H595	117001	20
H596	479070	20
H597	72535	20
H598	105355	20
HB12-20		B,62
HB12-25		B,62
HB12-27		B,62
HB58-20		B,62
HB58-25		B,62
HB58-27		B,62
HC01	71313	4
HC02	71312	4
HC03	71311	4
HC04	78398	4
HC05	77371	4
HC06	6750000115	4
HC07	WL-012-08	4
HC08	SL-3-10	4
HC09	BB-007-39	4
HC10	BB-15-22	4
HC11	RR-004-24	4
HC12	BB-18-43	4
HC13	RR-281	4
HC14	77370	4
HC15	116658	4
HC16	BB-7-52	4
HC17	291704	4
HC18	BV-013-21	4
HC19	RR-007-08	4
HC20	BB-005-30	4
HC21	70486-1	4
HC22	70487-15	4
HC23	83681	4
HC24	877111481	4
HC25	124669	4
HC26	116634	4
HC27	116657	4
HC30	123934	4
HC31	116642	4
HC32	71309/10	4
HC33	77372/73	4
HC34		4
HC35	NA	4
HC36	87713 38 2	4
HL001	2052	47
HL002	2049	47

NBS #	OEM #	Page #	NBS #	OEM #	Page #
HL003	2710	47	HL309	680-2034	136
HL004	2209	47	HL310	680-2034	136
HL005	2547	47	HL311	680-2017	138
HL006	2182	48	HL312	680-2031	136
HL007	7160732-9	48	HL313	680-1110	136
HL009	736-0052-2	48	HL314	680-2081	137
HL010	1224	48	HL315	680-2088	137
HL011	2159	48	HL316	680-2136	137
HL012	2238	48	HL317	680-2125	137
HL013	2348	48	HL318	680-2148	138
HL014	2069	48	HL320	680-1116	136
HL017	2061	48	HL321	74000-8240	136
HL019	2111	48	HL322U	680-1163	136
HL020	500-0556	48	HL323	680-2203	136
HL021	2457	49	HL324	480-0630	136
HL023	2102	49	HL325	680-1159	136
HL024	2082	47	HL326L	680-1165	136
HL026	2002	49	HL327	680-1321	136
HL027	2066	47	HL328	680-1224	136
HL028	2081	47	HL329	680-1223	136
HL029	2453	47	HL330	680-1379	138
HL030	2107	47	HL331	680-2025	136
HL031	2227	47	HL332	680-2218	136
HL032	2495	47	HL333	680-2204	136
HL033	2595	47	HL334	680-2219	136
HL034	2395	47	HL335	680-1041	137
HL035	2599	47	HL336	680-2027	137
HL036	2095	47	HL337	680-1082	138
HL037	2093	48	HL338	680-1083	138
HL038	2076	48	HL339	680-1084	138
HL040	2087	46	HL340	580-5018	138
HL041	2454	46	HL341	580-5019	138
HL042	2173	46	HL501	180 8012	23
HL043	2072	46	HL507	100 0199	23,28
HL044	2210	46	HL508	NA	23
HL045	2161	49	HL509	NA	23
HL046	7147	49	HL510	NA	23
HL047	2053	47	HL512	181-0817	23
HL048	2064	47	HL513	181-0816	23
HL049	7727	49	HL514	1810500	9,23
HL050	910-1224	48	HL515	100-0048	23
HL051	910-1221	48	HL516	32-6671	23
HL052	910-1215	48	HL517	32-6671	23
HL053	2454	46	HLRK-1	NA	137
HL057	714-0344-9	47	HM100	120388	56
HL061	2554	47	HM2001	113936	52
HL062	2555	47	HM2002	65062-1	52
HL066A	2377	46	HM2003	23482	52
HL067	2386	46	HM2004	BB-20-6	52,55
HL068	2380	46	HM2005	BB-17-12	52
HL069	712-0140-9	46	HM2006	12430-SS	52
HL070	2374	46	HM2007	RR-4-18	52,54
HL071	2382	46	HM2010	291236	52,54
HL072	2373	46	HM2011	SL-02-08	53,54
HL073	2384	46	HM2012	BB-5-1	53,54
HL074	2484	46	HM2013	435297	54
HL075	7791	47	HM2014	12697	54
HL076	7856	49	HM2015	BB-5-2	54
HL077	7860	49	HM2016	WS-6-36	53,54
HL078	7861	49	HM2017	12710	53,54
HL079	7862	49	HM2020	291128	53
HL080	7863	49	HM2021	124751-3	53
HL300	680-1155	137	HM2022	12430-4	53
HL301	680-1156	137	HM2023	124748	53
HL303	713031640	137	HM2024	291221	54
HL304	680-1067	137	HM2025	124765-1	53
HL305	680-2027	137	HM2026	124745	53
HL306	680-1081	137	HM2030	124734	55
HL307	680-1041	137	HM2031	124946	55
HL308	680-2032	136	HM2032	WS-024-01	55

INDEX

NBS #	OEM #	Page #
HM2033	10928-2	55
HM2034	24715-3	55
HM2035	114695	55
HM2036	67500-78	55
HM2037	12430-17	55
HM2038	12695	55
HM2039	12430-59	55
HM2040	107145	55
HM2041	WS-10-18	55
HM2042	WS-10-18	55
HM2043	WS-10-18	55
HM2044	BB-20-18	55
HM2045	109070-2	55
HM2046	WS-8-13	55
HM2047	NS-32-29	55
HM2050	NS-32-23	54
HM2051	12747	54
HM2052	315011	50
HM2053	8766900001	50
HM2054	12757	50,54
HM2055	108197-1	54
HM2056	108197-02	54
HM2057	65107	54
HM2058	68043	54
HM2059	877140421	56
HM2060	271612-2	56
HM2061	87711-2012	56
HM2062	57711-2-48	56
HM2063	87711-71-1	56
HM2064	NA	50
HM2065	70487-9	56
HM2066	70487-1	56
HM2067	70486-2	56
HM2068	70486-3	56
HM2069	7048700018	56
HM2070	877110601	56
HM2071	877110601	56
HM2072	BV-013-18	54
HM2073	BV-013-17	54
HMB048/010	BR-2-27	107,108,111,112
HMB113/245	BR-2-16	106,109,110,114
HMB510/548	BR-2-20	106,109,110,111,112
HMBN/R	BB-6-41	113
HMBW/R	6207ZNR	113
HRK-1	NA	133
HRK-2	NA	133
HRK-3	NA	133
HRK-4	NA	134
HRK-5	NA	134
HRK-6	NA	134
HRK-7	NA	135
HS01-35	P-70435	184
HS02-29	NS-32-29	184
HS03-9	WS-8-9	184
HS04-LMB	BB-18-43	184
HS05-UMB	BB-16-22	184
HS06-48	M-73348	184,185
HS07-01	V-104001	184
HS08-02	M-70302	184
HS09-26	P-88726	184
HS10-5A	B-111154	184,185
HS11-06	C-291221	184
HS12A-06	N/A	184,185
HS13A-55	M-73355	184,185
HS14-5	C-108197-5	192,196
HS15-64	A-107364	192
HS16-41	M-70241	191
HS17-98	P-70198	191
HS18-96	P-70196	191
HS19-2	B-18682-1	199

NBS #	OEM #	Page #
HS20-35	M-75135	194,195
HS21	P-118484	184,191
HS22	M-86260	199
HS23	BB-4-11	199
HS24	V-21046-1	199
HS25	M-88921	199
HS26	NA	199
HS27	M-83416	199
HS28	RR-9-15	199
HS29	88298	197
HS30	BB-5-5 BB-	199
HS31	BB-15-41	199
HS32	S-82952-2	191
HS33A	P-70348	184
HS34	M-72579	192
HS35	V-12734	199
HS36	M-20622	199
HS37A-40	P-88740-2	197
HS38A	N/A	191
HS39	BB-5-30	186,199
HS41	M-70386	194,195
HS42	M-70387	194
HS43	RR-10-18	184,191,201
HS44	M-70295	201
HS45	BB-15-37	201
HS46	BN-2-15	201
HS47	BN-2-13	201
HS48	BN-2-14	201
HS49	M-70442	201
HS50	M-70244	201
HS52	M-70303	201
HS53A	M-70425	197,198
HS54	D-124640-1	201
HS55	E-123952	201
HS56	M-70343	197,198
HS57	M-70342	197,198
HS58	M-70307	201
HS59	M-32404-7	187
HS60	B-114141	185
HS61	274895	199
HS62	N/A	199
HS63	8342-2	199
HS64	R-77534	194
HS65	B-120144	185
HS66	70314-1	184
HS67	70324	201
HS68	70360-1	194,195
HS70R	N/A	184
HS71	70767	191
HS72	B-109702	187
HS73	83681	199
HS74	M70396	201
HS75	C-114356	201
HS76A	B-122794-4	187
HS77	M-75138	194,195
HS78	P-70341	194,195
HS79	R-77534	194
HS80	P-70202	194
HS81A	N/A	194
HS82A	437126	194
HS83	N/A	194
HS84A	M-73979	187
HS85A	M-74007	187
HS87	D-67500-2	201
HS88	SC-16-5	192
HS89	87711-148-	202
HS90	N/A	192
HS91	123087-2	192
HS92A	PL-15697	200
HS93A	M-70351	200

NBS #	OEM #	Page #	NBS #	OEM #	Page #
HS94	P-70240	200	HS172	428420	199
HS95	73265	184,185	HS173	RELAY 2POL	202
HS96	R-70233-2	200	HS174	RR-006-23	199
HS97	70194	192	HS175	875354	193
HS98	438177	194	HS176	RR-006-21	193
HS99	106503	191	HS177	76948	197,198
HS100K	N/A	200	HS178	477534	193
HS103	P-70266	200	HS179	435785	185
HS104	C-123686-1	199	HS180	NS-46-29	185
HS105	C-123686-2	199	HS181	438915-2	185
HS106	070487-002	202	HS182	294193	185
HS107A	NS-32-12	197,198	HS183	437575	185
HS108	B-11754237	202	HS184	274908-1	185
HS109	WS-8-9	199	HS185	Slicer	185
HS110	M-74833	187	HS186	N/A	202
HS111	83424	200	HS187	8711-2432	202
HS112	437115-1	192	HS188	122342-5	202
HS113	70487-15	202	HS189	N/A	202
HS114	N/A	202	HS190	Slicer	202
HS115	295118	192,193	HS191	Slicer	202
HS116	290984	192,193	HS192	76902	202
HS117	124768	197	HS193	Slicer	202
HS118	108001	191	HS194	N/A	202
HS119	106502	191	HS195	87711-308	202
HS121	435324	187,188,189	HS196	479397	199
HS122	PG-7-40	187	HS197	875372	199
HS123	435814	190	HS198	438280	194
HS124	119867	190	HS199	479423-001	202
HS125A	N/A	190	HS200	Slicer	196
HS126	69585-1	190	HS201	479685	196
HS127	270503	190	HS202	SC-8-9	192
HS128	BA-2-1	190	HS203	87495	197
HS129	119871	190	HS204	478432	197
HS130	270501	190	HS205	477555	199
HS131	RR-11-4	190	HS206	N/A	196
HS132A	437119-2	192	HS207	439043	202
HS133A	N/A	192	HS208	478297	202
HS134	479698	197,198	HS209	87711-3251	202
HS135	437879	197,198	HS210	875320	195
HS136	SC-122-53	197,198	HS211	BB-021-46	199
HS137	437994	197,198	HS212	RR-009-15	199
HS138	NA	197,198	HS213	875348	197
HS139	295117	192,193	HS214	479388	199
HS140	438845	185	HS215	877140691	202
HS141	BB-15-8	185	HS216	438982 875	197
HS142	120388	202	HS218	118332-1	196
HS143	C-122342-5	202	HS219	SC-118-36	186
HS144	N/A	202	HS220	479391	186
HS145A	290373	194	HS221	N/A	186
HS146	479157	194	HS222	BB00523-18	186
HS147A	290976-3	192	HS223	RR-12-11	186
HS150	114214	197,198	HS224	RR-004-18	186
HS151	118175	197,198	HS226	RP-2-22	197
HS152	SC-23-10	197,198	HS228	RR-006-22	188,189,190
HS153	Slicer	202	HS229	Slicer	188,189
HS154	RP-2-40	197,198	HS230	479527	188,189
HS156	75945	196	HS231	439698	188,189
HS157	118332-1	196	HS232	438435	188,189
HS158	83021	191	HS233	SC-122-87	188,189
HS160	87494	197,198	HS234	438442	188,189
HS161	V-10928	197,198	HS235	873852	188,189
HS162	M-70405	197,198	HS236	915162	188,189
HS163	sc-122-84	187,188,189	HS237	SC-122-85	188,189
HS165	NS-017-41	185	HS238	439700	188,189
HS166	RR-009-07	185	HS239	438437	188,189
HS167	271612-2	202	HS240A	Slicer	188,189
HS168	NA	202	HS241	875531	188,189
HS169	477721	199	HS242	875339	188,189
HS170	NA	201	HS244	875368	188,189
HS171	RR-4-17	201	HS245	438426	188,189

INDEX

NBS #	OEM #	Page #
HS246	875359	188,189
HS247	479953	188,189
HS248	435814	188,189
HS249	913102-182	188,189
HS250	873851-B	188,189
HS251	873851	188,189
HS253	914682-3	188,189
HS254	Slicer	188
HS255A		188
HS256A	873847-1	187,188
HS260	RR-012-13	192
HS261	479432	192
HS262	4390420001	202
HS263	438890	197
HS270	RR-004-18	186
HS272	479364	186
HS273A	M87493	197,198
HS274A	Slicer	198
HS275A	Slicer	198
HS276A	Slicer	198
HS280A	274926	190
HS281	435081	190
HS282	274934	190
HS283	274933	190
HS284	873852	189
HS285A	N/A	189
HS286A	873847-1	189
HS290	875345	193
HS291	875357	193
HS292	875355	193
HS293	915596	193
HS294	R-77534	193,195
HS295A	Slicer	195
HS296	Slicer	195
HS297A	Slicer	195
HS298	Slicer	195
HS299A	Slicer	195
HS300	478464,873710,479544	193
HS301A	N/A	193
HS302A	N/A	193
HS303A	N/A	193
HS305	913102-90	193
HSGB	BB-5-11	113
HSGBN	BB-5-11	113
HSK-1	275913-1	147,183
HSK-3	275913-2	147,183
HSK-4	Slicer	147,183
HSK-5	915424	147,183
HSK-6	914753	147,183
HSK-N	914753-00002	147,183
HST-1	N/A	147,183,187,188
HST-2	437847	147,187,190
HST-3	119882	147,187,190
HST-4	439691	147,187,188,189
HST-5	478747	147,187,188,189
HSW700	5901-011	C
HSW701	5901-001	C
HSW702	1836-004	C
HSW703	1872-008	C
HSW704		C
HSW705		C
HSW708	2145-005	C
HSW709	6301-047	C
HSW710	6301-047	C
HSW711	6110-023	C
HSW712	6110-023	C
HSW713		C
HSW714		C
HSW715		C
HSW716		C

NBS #	OEM #	Page #
HSW717		C
HSW718		C
HSW719		C
HT100	D-290025	44
HT101F	292105	44
HT102B	292106	44
HT103	292088	43
HT104	292098	43
HT105	292089	43
HT106	292099	43
HT107	292102	43
HT108	292103	43
HT109	292101	43
HT110	B123955	43
HT111A	295730/132	44
HT112-140	292097-1	43
HT113	292595	44
HT114	83681	43
HT116F	292083	44
HT117B	292085	44
HT118	70487-3	43
HT119	70486-1	43
HT120	270348	44
HT121	87711-148-	43
HT122	87714-0351	43,44
HT123	UNIVERSAL	43
HT124	NA	44
HT131	293197	43
HT133	293192	43
HT138	NA	43
HT139	69337	42
HT140	87714-35-1	43
HT141	69361	42
HT142	N/A	42
HT143	RR-006-09	42
HT144	KW-003-10	42
HT145	292675	42
HT146A	292681	42
HT147	292681	42
HT148	222687	42
HT149	6750000069	42
HT150	292681	42
HT151A	292680	42
HT152	BN-5-3	42
HT153	292680	42
HT154	BB-020-20	42
HT155	SC-121-27	42
HT156	69362	42
HX100	88187	19,26
HX125	873570	19,26
HX200	N/A	192
HX300	N/A	106
HX325	NA	119
HX400	292592	35,37,44
KC1	N/A	2,148,166,183
KC2	N/A	2,148,166,183
L01	N/A	1
L02	N/A	1
L04	N/A	1
L04T	180029-25	1
L09	N/A	1
L14	N/A	1
L16	N/A	1
L32	N/A	1
L64	N/A	1
L128	N/A	1
MB12	023438	50
MB20	275683	50
MB30	437410	50
MB40	275686	50

NBS #	OEM #	Page #	NBS #	OEM #	Page #
MB60	275688	50	SB120	N/A	60,61
MB80	275690	50	SB122	N/A	60,61
MB140	295561	50	SB124	N/A	60,61
MF10	275455	51	SB126	N/A	60,61
MF12	275549	51	SB128	N/A	60,61
MF20	275459	51	SB135	N/A	60,61
MF30	275450	51	SB142	N/A	60,61
MF40	275447	51	SB154	N/A	60,61
MF60	275885	51	SB3000	N/A	B,62
MF80	275448	51	SB3001	N/A	B,62
MF140	275883	51	SB3002	N/A	B,62
MJ20	295119	51	SB3003	N/A	B,62
MJ30	295120	51	SB3004	N/A	B,62
MJ60	295175	51	SB3005	N/A	B,62
MP20	295036	51	SB3006	N/A	B,62
MS20	477521	51	SB3007	N/A	B,62
MS30	478596	51	STICKER CAUTION	N/A	L,35,37,44
MS60	295174	51	STICKER DANGER	N/A	L,73,92,96,118,119
MS80	437701	51	STICKER WARNING	N/A	L,35,37,44
MW20	275897	51	T01	N/A	145
MW30	275899	51	T04	N/A	144
MW60	295154	51	T09	N/A	144
MW80	295149	51	T10	42051	145
MX100	3675-00227	3,32	T11	N/A	145
MX101	76368	3	T12	N/A	144, 145
MX102	76367	3,32	T17	N/A	144
OBS801	5911-7034	C, 58	T19	N/A	144
OBS802	4560250811	C, 58	T34	R-1236	145
OBS803	4567025101	C, 58	T53	N/A	144
OBS804	5843-0545	C, 58	TR01	05-70140	143
OBS805	5757-3307	C, 58	TR02	05-70512	143
OBS806	5709-0021	C, 58	TR03	72681	143
OBS807		C, 58	TR04	N/A	143
OBS808		C, 58	TR05A	N/A	143
OBS809		C, 58	TR06	N/A	143
OBS810		C, 58	TR07A	N/A	143
OS02	5911-7000	58	TR08	05-70835	143
OS03	5601-1126	58	TR09	05-00282	140,141
OS04	5601-1119	58	TR10	05-00282	140,141,142
OS05	5601-1127	58	TR11	05-00186	142
OSR303	797-0029-1	58	TR12	05-00283	142
OSX100	0797-0183	58	TR13	73165	143
OSX101	079701836K	58	TR14	N/A	143
SB063	N/A	60,61	TR15	05-71295	143
SB065	N/A	60,61	TR16	N/A	143
SB066	N/A	60,61	TR17	N/A	143
SB072	N/A	60,61	TR18	571110	140
SB074	N/A	60,61	TR19	571542	142
SB076	N/A	60,61	TR20	571869	140
SB078	N/A	60,61	TR21	571534	140
SB079	N/A	60,61	TR22	500290	140,141
SB081	N/A	60,61	TR23	571535	140
SB082	N/A	60,61	TR24	570656	140,141
SB085	N/A	60,61	TR25	571536	140
SB091	N/A	60,61	TR26	571873	140
SB093	N/A	60,61	TR27	570833	140,141,142
SB096	N/A	60,61	TR28	571872	140,141
SB098	N/A	60,61	TR29	570833	140,141,142
SB100	N/A	60,61	TR30	571870	140,141
SB102	N/A	60,61	TR31	57870	140,141
SB105	N/A	60,61	TR32	572314	142
SB106	N/A	60,61	TR33	571832	142
SB107	N/A	60,61	TR35	500183	140
SB108	N/A	60,61	TR36	500184	140
SB109	N/A	60,61	TR37	571886	143
SB110	N/A	60,61	TR38	NA	143
SB112	N/A	60,61	TR39	572253	140
SB114	N/A	60,61	TR40	500185	142
SB116	N/A	60,61	TR41	572679	140
SB118	N/A	60,61	TR42	572964	141

INDEX

NBS #	OEM #	Page #
TR43	572680	143
TR44A	572680	143
TR47	571859	143
TR50A	573165	143
TR52	501062	140
TR53	572599	140
TR54	500347	140,142
TR55	571857	141
TR56	570290	141
TR58	571858	141
TR59	500837	143
TR60	500333	143
TR500	05-02166	24,28
TR501	05-02167	24,28
TR502	05-70203	24,25,28
TR510	05-70380	24
TR511	05-70383	24
TR512	570386	25
TR513	502270	24
TR514	05-70557	25
TR515	05-70207	25
TR516A	05-70557	25
TR517	570205	24
TR518	570480	24
TR519A	NA	24
TR520	570205	24
TR521	570489	24
TR522A	570489	24
TR523	502260	25
TR524	501802	25
TR525	501318	25
TR526	506586	24
TR527	575280	24
TR528A	ZMMG575280	24
TR530		25
TR531	502264	25
TR532	NA	25
TR533	502263	25
TR534	NA	25
TR535	500333	25
TRK-1	NA	145
TRRK-2	NA	143
TSGB	44976	145
US01-263	2275-0063	154
US02-343	2275-0043	155
US03-442	2275-0042	154
US04-56	2275-0056	154,155
US05-661	3675-0061	156
US06-57	3875-0057	156
US07-41E	3375-0293	156
US08-310	3375-0031	156
US09SA	3875-0029	156
US10-15	2375-0015	152
US11	2175-3452	156
US12A	4575-0915	154
US13-31	3275-0041	153
US14-24	3854-0024	153
US15-99	4575-0099	156
US16-1	3275-0128	157
US17	3275-0059	156
US18	4575-0081	154
US19	3475-00130	154
US20A-107	3375-0107	153
US21-46	3275-0046	156
US22-91	3375-0091	156
US23	2275-3050/	154
US24-92	2275-0092	156
US25-107	4575-0107	153
US26	A3000-1	156
US27-82	2275-0053	156

NBS #	OEM #	Page #
US28-242	3375-0242	154,155
US29-63	3475-0363	153
US30	3475-0156	153
US31	4575-0208	156
US32-45	2275-0045	155
US33	2175-0106	156
US34A-13	4675-0313	155
US35A	3475-0163	155
US36A	4375-0114	152
US37	3375-0244	155
US38-1H	U2646-1H	156
US39-1D	2646-1D	156
US40	3875-0023	155
US41	2275-0220	149
US42-25U	3375-1083	152
US42-25V	2375-0025	152
US43	3875-0025	153
US44	2-26-25312	155
US45	4575-0281	156
US46	N/A	152
US48	3375-0296	156
US49	4175-0031	158
US50	2175-3858	156
US51	2175-3277	154
US52	2275-0058	156
US53	47733-3	153
US54	3875-0022	155
US55A	3275-0030	156
US56	3375-0243	154
US57	3275-0044	156
US58	3675-0072	156
US59	3675-0071	156
US60	3275-0061	156
US61A	N/A	156
US62	834-5006	150
US63A	4722-3A	153
US64A	M-0677	150
US65A	M-0611	150
US66	VV-0686	150
US67	R-0741	150
US68	834-5013	150
US69A	834G-5003	150
US70	3301-3803	150
US71	W-0742	150
US72	R-0741	150
US73	W-0687	149
US74	3275-0042	149,151
US75	2275-0064	156
US76A	2648	155
US77A	4675-0164	149
US78	2642-3A	152
US79	3375-0291	153
US80	834-0523	149,151
US81	3275-0029	154,155
US82	4975-0133	152
US83A	2648	155
US84A	2648	155
US85	2375-0030	152
US86R	4975-0335	152
US87	4675-0164	149
US88	9926	153
US89	834-G-5010	149,151
US90A	4575-0117	156
US92	3475-00162	156
US93	2175-1864	156
US95	2641-3	158
US96	3375-0298	156
US97	2675-0680	158
US98	2675-0669	158
US99SA	2175-0221	156

NBS #	OEM #	Page #
US100	2375-0138	152
US101	2675-00801	158
US102	3675-00259	158
US103	2275-0077	156
US104	2675-5163	156
US105	2675-0053	158
US106	2675-00617	158
US107	2675-0087	158
US109	4175-0031	158
US110A	4375-0031	156
US111	2275-0149	158
US112	N/A	156
US113	3275-0042	154,155
US114	M-0677	150,151
US115	M-0611	150,151
US116	9241	150
US117	3375-1099	152
US118A	4375-0192	152
US119	2375-0141	152
US120	N/A	152
US121	2275-0060	158
US122	2675-0699	154
US123	2301-5221	152
US124	3875-00059	153
US125	Slicer	149
US126	2675-0753	158
US127	4975-00025	156
US128	NA	156
US130	Slicer	152
US131	3475-0158	153
US132A	4675-00881	149
US133	4975-0458	154
US134	3875-0148	154
US135	3475-0765	153
US136	3375-0336	156
US137	NA	158

NBS #	OEM #	Page #
US138	3675-00232	158
US140A	4675-01085	149
US150	2375-0139	156
US151A	4675-0170	154
US153	3675-0256	158
US154	3875-00026	156
US156	3475-00789	149,151
US157		152
US158	3475-0755	153
US159	2375-0138	152
US160	3275-0060	156
US161	2675-0831	158
US166A	4675-0196	156
US167	4675-0336	156
US168	3875-00151	156
US169	3875-0226	149,151
US170A	4675-1081	149,151
US171A	Slicer	151
US172A	Slicer	151
US173	Slicer	149,151
US174A	Slicer	151
US175	Slicer	151
US176A	Slicer	151
US177	Slicer	151
US180	Slicer	156
US181	Slicer	148,153
USK-1	9400100001	146,147,148,160
USK-2	Slicer	146,147,148
USK-3	40827E-73	146,147
USX100	N/A	3,150,160,166,183
UVK-1	Slicer	146
UVK-2	Slicer	146
WGW-1A	NA	145
WGW-2	1026044	145
WGW-3	NA	145



INDEX



NBS PARTS CARRIES THOUSANDS OF PARTS FOR FOOD MACHINERY!



BAND SAW



SLICER



TENDERIZER



GRINDER



BREAD SLICER



BAGEL SLICER



MIXER



HEAT SEALER

WWW.NBSPARTS.COM

SLICER PARTS



BIZERBA SHARPENER



UNIVERSAL SLICER KNIFE

GRINDER PARTS



GRINDER KNIFE



GRINDER PLATE

BAGEL SLICER PARTS



ROCKER SWITCH



OLIVER BAGEL SLICER KNIFE

HEAT SEALER PARTS



HOT PLATE COVER



TOGGLE SWITCH

(661) 294-9552

INDEX