



POWERED BY EDGE

PROCESSING BLADES

Product Catalog



TGW International

Americas: 1-800-407-0173 • sales@tgwint.com • www.tgwint.com
EMEA: +44[0]144 244 5600 • sales@tgwglobal.com • www.tgwint.com

Table of Contents

For over 115 years, we have been dedicated to providing quality industrial machine knives reinforced with personalized service and technical expertise to the flexible packaging, food processing, printing, and materials converting industries. The superior quality of our knives combined with our vast knowledge in the industrial machine knife industry is what makes us a valued partner and supplier to businesses worldwide.

TGW International is a quality-first blade manufacturer with over 50,000 prints on file and a valued technical partner to more than 6,000 customers. We add approximately 250 new designs every month!

3 - Quality Solutions	11 - Confectionery
4 - Poultry	12 - Fruits & Vegetables
5 - Seafood & Freshwater Fish	13 - Pet Food
6 - Beef & Pork	14 - Custom Knives
7 - Prepared Foods	15 - Packaging Knives
8 - Snack Foods	16 - Materials
9 - Bakery, Cereal & Grains	17 - Coatings
10 - Cheese & Dairy	



KNOWLEDGE LEADER

We know industrial machine knives and punches. We understand your frustrations and expectations. We will get to the root of your problems and provide the consistency and technical support you need. With the most extensive cross-reference of OEM specifications, we can get you the product you need.



SUPERIOR QUALITY

Offering over 100 years of craftsmanship and experience making products that produce repeatable results. When the unexpected happens, don't wait weeks for your product to be delivered. We offer the largest inventory of stock items to quickly meet any last-minute needs.



FASTEST SERVICE

We work with our customers to provide them with solutions to their problems, *quickly*. Whether an applications issue or a stock fulfillment issue, EDGE is there to support you. We deliver the shortest lead times on MTO (made to order) knives, allowing you to get up and running sooner.

Discover Unmatched Quality and Efficiency in Every Knife

In today's fast-paced production environments, only the sharpest knives will do. That's why TGW specializes in crafting food processing slitters featuring the sharpest bevels, scalloped edges, micro dentures, saw teeth, v-tooth, and slotted edges. Our cut-off and guillotine knives are meticulously produced to deliver the sharpest, longest-lasting edges, ensuring superior cut quality and extended wear.

Precision-Crafted for Superior Performance

Our precision grinding techniques and top-grade steels deliver consistent, precise cuts for optimal performance. From the processing plant to the dinner table, we play a major role in food processing. We are known for producing knives for:

- Meats (poultry, pork and red meats)
- Seafood and freshwater fish
- Cheeses and dairy products
- Fruits and vegetables
- Prepared foods
- Snack foods
- Bakery, cereal and grain products
- Confectionery
- Pet food
- And more!



Why choose TGW?

- **FDA Approved Materials:** Crafted for compliance and safety, our knives meet industry standards without compromise.
- **Robust Durability:** Designed to endure the demanding environment of food processing, our knives offer lasting resistance to wear.
- **Precision Cutting:** Achieve precise, consistent cuts with our finely honed knives, engineered for peak performance.
- **Hygiene and Maintenance:** With easy cleaning and maintenance, our knives support the highest standards of hygiene, enhancing productivity.
- **Customization Options:** Catering to diverse processing needs, our range includes various blade configurations and edge designs.

While the market may be crowded, our dedication to delivering top-notch knives with a focus on customer satisfaction sets us apart. We're committed to offering products that not only meet but surpass expectations, ensuring our knives are the preferred choice for food processing experts.



Tel: (956) 369-0129

Email: ventas@marekpartssupply.com

Web: marekpartssupply.com



At TGW, we pride ourselves on being the go-to experts in manufacturing top-tier poultry processing knives for every segment of your operation. Our specialized knives are crafted to meet the exacting demands of:

- Slaughtering
- Evisceration
- Cut-Up Operations
- De-boning Legs, Breasts & Wings
- Further Processing Operations



Precision and Quality for Every Poultry Operation

Whether you are handling chicken, turkey, or specialty birds, TGW has the precision-made, durable machine knives you need to process the high-quality poultry products your customers expect.

- **Superior Materials and Craftsmanship:** Crafted from premium stainless steel; designed to endure demanding applications. Optional wear coatings and surface treatments enhance durability and prevent corrosion.
- **Versatility and Customization:** TGW understands that precision is key. That's why our knives are available in sets tailored to your specific needs, whether it's for strip cutting or portion cutting operations. We also offer private label laser etching, allowing you to personalize your tools.
- **Rapid Availability and Competitive Pricing:** With the largest selection of poultry processing blades ready to ship by the next day, downtime is a thing of the past.





Enhance your seafood processing operations with TGW's premium blades and knives, designed specifically for the rigorous demands of the industry. Our products feature superior quality and rust-resistant capabilities, ensuring precision and longevity in the harsh marine environment. Our knives are ideal for:

- Filleting
- Skinning
- Heading
- Slicing
- Portioning
- Shrimp Deveining
- Crab Leg Cutting
- Ultrasonic Cutting

Cutting Edge Solutions: Unmatched Performance and Quality in Fish Processing Blades

TGW blades resist saltwater corrosion, perfect for offshore and land processing with precise cuts that reduce downtime and boost efficiency. They arrive sharp, require no pre-use honing, and enable quick changeovers. With lasting sharpness, they minimize resharpening and are easy to maintain, extending their lifespan and reducing waste.

Our commitment to quality means our knives are crafted from the finest 300 or 400 Series Stainless Steels, with options for 17-4 PH Stainless upon request. We also offer additional treatment options like passivation and electro-polishing to meet specific needs.

Choose TGW for your fish processing needs, whether for saltwater or freshwater species, and enjoy unparalleled performance, durability, and reliability. Our blades are your solution for enhanced productivity and superior quality in seafood processing.



Tel: (956) 369-0129

Email: ventas@marekpartssupply.com

Web: marekpartssupply.com

 **TGW International, Inc.**
An EDGE Industrial Technologies Company



Elevate your beef and pork processing operations with TGW's expertly crafted knives and blades, designed to meet the industry's highest standards for precision, hygiene, and durability. Each TGW knife is precision ground and polished to ensure superior food safety and cleanliness. Choose from standard and premium non-stick coatings, along with advanced wear-resistant options, to tackle even the toughest applications.

- **Robust light and heavy-duty circular slicers**, constructed from premium materials for optimal wear and chip resistance. Understanding the specific environment where our knives will be used helps us enhance corrosion resistance, ensuring long-lasting performance. Custom sizes are available, with blade diameters up to 31.5" (800mm) to meet your unique needs.
- **The sharpest slicing and dicing knives**, offering exceptional quality cuts while reducing downtime through enduring edge retention. Whether you're working with fresh, chilled, frozen, bone-in, or dried meats, TGW has a knife tailored to every cutting application.
- **Bowl cutters and chopper blades boast exceptional corrosion and wear resistance**, thanks to cutting-edge heat treatment techniques. Precision ground and polished, these blades offer sharper edges, reduced friction, and ease of cleaning, available in matched sets upon request.
- **Skinning and derinding blades** available as both machine and handheld blades with razor-sharp, precision-ground edges for peak performance. Each blade is carefully packaged to prevent damage during transit and storage, ensuring they arrive ready for action.

Choose TGW for your meat processing needs and experience unrivaled precision, hygiene, and durability across all applications.





In today's fast-paced world, the demand for ready-to-eat products is continually growing. TGW is at the forefront of this trend, offering comprehensive solutions that cater to the evolving needs of prepared food processing.

- Strip Slicing and Portion Cutting
- Bowl Cutting and Sealing
- Skin Cutting and Trimming
- Cubing and Dicing
- Peeling and Coring
- Cutting and Slitting
- Mixing and Scraping

Precision Perfected: Tailored Blade Solutions for Unmatched Performance

Our commitment to quality and innovation ensures that we deliver not just products, but enhanced performance and reliability. For those with specific blade or knife requirements, TGW specializes in custom manufacturing. We work closely with you to design and produce bespoke blades that precisely match your specifications or samples, ensuring that your operational needs are flawlessly met.

Comprehensive Component Solutions: Customized Precision for Every Need

Our extensive catalog features a wide range of standard parts, selected from a vast database to meet diverse processing demands. Should your requirements extend beyond these offerings, TGW is equipped to manufacture components tailored specifically to your needs. Our dedicated sales team is ready to assist you in maximizing your operation.



Tel: (956) 369-0129
Email: ventas@marekpartssupply.com
Web: marekpartssupply.com



When it's time to replace your processing knives, trust TGW to deliver OEM quality cutting solutions that provide superior cut quality and maintain optimal line speeds. Our knives are designed for manufacturers who bring a variety of delightful treats to consumers, ensuring precision and efficiency in every process.

Expertly Engineered Knives: Precision Crafting for Processing Excellence

TGW provide knives to manufacturers who process and package the following delicious treats:

- Snack trays
- Cheese portions
- Fresh fruit cut-up packs
- Dried fruits
- Chips, crisps, pretzels, and popcorn
- Jerky and other dried meats
- Nuts, seeds, and trail mix
- Energy and nutritional bars
- Crackers, cookies, and other pastries
- Pudding snack cups
- Candy bars
- Hot pockets
- And so much more!

Versatile Knife Solutions: Meeting Every Processing Need

TGW's technical team partners with clients to deliver high-quality knives and OEM blade replacements for:

- Slitting
- Slicing
- Dicing
- Size reduction
- Portioning
- Bowl cutting
- Scraping
- And more!

Our custom knives feature advanced steels, heat treatment, and surface conditioning for exceptional corrosion resistance and durability. We prioritize quality and performance, offering custom manufacturing to meet specific requirements. Experience TGW's precision and reliability in food processing—contact our sales team for support.





TGW takes pride in offering an extensive selection of industrial knives tailored for the precise processing of bakery, grain, and cereal products. Our specialized range includes:

- **Slicing blades** for clean, efficient cuts
- **Cross-cutting tools** for versatile application
- **Roll and tube scrapers** for effective cleaning
- **Mixing blades** that enhance consistency
- **Slitting blades** for smooth separation
- **Size reduction blades** for optimal output

We proudly maintain the largest inventory of industrial knives, strategically warehousing a comprehensive selection of standard knives to ensure quick access and delivery to meet your urgent needs.

At TGW, quality is paramount. Our cutting-edge in-house materials laboratory meticulously analyzes every sample to guarantee that each blade not only meets but exceeds the quality of your current tools. Trust TGW to elevate your operational efficiency with our superior blade solutions.

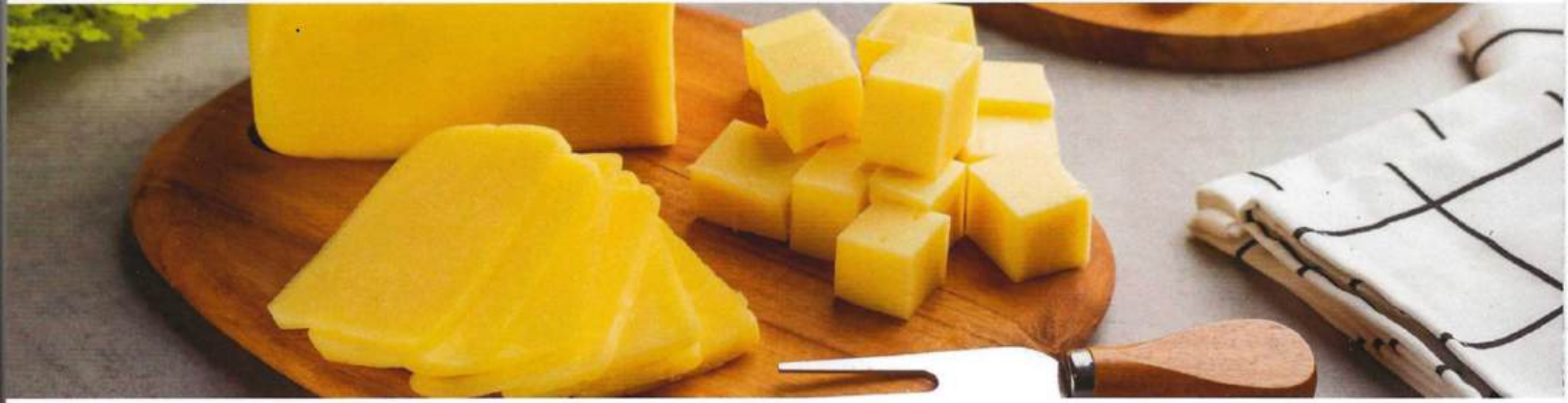


Tel: (956) 369-0129

Email: ventas@marekpartssupply.com

Web: marekpartssupply.com

 **TGW International, Inc.**
An EDGE Industrial Technologies Company



Elevate your cheese and dairy processing operations with TGW's exceptional range of industrial knives, engineered with the utmost attention to hygiene and rust prevention. Our commitment to quality ensures that every blade meets the demanding standards of the industry. We offer a diverse product range:

- Cheese Slitters
- Ultrasonic Cutters
- Cheese Die Cutters
- Cutoff Knives
- Scraper Blades for Ice Cream
- Mixing Blades
- Other Scraping Blades

Premium Stainless Steel Options & Advanced Finishing Techniques

Crafted using the finest stainless steel, including 300 Series, 400 Series, 17-4, and 17-7 PH variants. Tailor-made custom grades are available to suit unique applications, ensuring optimal performance and longevity. Choose from various levels of passivation and electropolishing to meet your specific hygiene and durability needs.

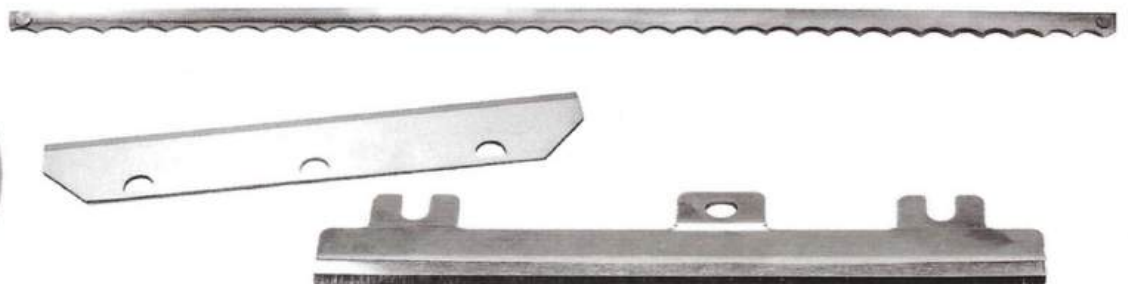
Custom Manufacturing Solutions

Benefit from our flexibility with Blanket Order and Made to Order arrangements, allowing for the production of bespoke blades tailored to your exact specifications.

Unmatched Lead Times

TGW prides itself on offering some of the best lead times in the industry, ensuring timely production and delivery to keep your operations running smoothly.

Choose TGW for industrial knives that combine precision, hygiene, and durability, perfectly engineered for the cheese and dairy sectors.





TGW takes pride in offering an extensive selection of industrial knives tailored for the precise processing of bakery, grain, and cereal products. Our specialized range includes:

- **Slicing blades** for clean, efficient cuts
- **Cross-cutting tools** for versatile application
- **Roll and tube scrapers** for effective cleaning
- **Mixing blades** that enhance consistency
- **Slitting blades** for smooth separation
- **Size reduction blades** for optimal output

We proudly maintain the largest inventory of industrial knives, strategically warehousing a comprehensive selection of standard knives to ensure quick access and delivery to meet your urgent needs.

At TGW, quality is paramount. Our cutting-edge in-house materials laboratory meticulously analyzes every sample to guarantee that each blade not only meets but exceeds the quality of your current tools. Trust TGW to elevate your operational efficiency with our superior blade solutions.



Tel: (956) 369-0129

Email: ventas@marekpartssupply.com

Web: marekpartssupply.com



In the world of confectionery production, the demand for precision and quality cannot be overstated, and high-quality knives are a crucial component in achieving these standards. At TGW, we understand the unique challenges faced in confectionery manufacturing and are committed to providing knives that meet these demands with excellence.

Our selection of knives is crafted from hardened stainless steel, ensuring durability and longevity even under rigorous use. The highly polished surfaces of our knives not only enhance their aesthetic appeal but also contribute to smoother operations and reduced friction during cutting processes. Additionally, we offer USDA-approved non-stick coatings that prevent material build-up, facilitating cleaner cuts and easier maintenance. Our corrosion-resistant treatments further ensure that our knives remain in pristine condition, delivering reliable performance over time.

TGW specializes in manufacturing knives tailored for a variety of confectionery applications, including:

- **Strip and Bar Slitting:** Designed for precise, clean cuts to maintain product integrity.
- **Strip and Bar Cross Cutting (Guillotine):** Provides powerful, decisive cuts for various confectionery forms.
- **Mixing and Scraping:** Ensures thorough mixing and efficient scraping of ingredients to achieve desired textures.
- **Ultrasonic Bar Cutting:** Utilizes advanced ultrasonic technology for precise and gentle cutting, ideal for delicate products.
- **Flakers:** Perfect for creating uniform flakes from solid blocks of confectionery.
- **Pressure Cutting:** Offers robust cutting solutions for dense confectionery items.

Whether your operation requires slitting, cutting, or scraping, TGW is equipped to provide you with superior products that will not only accelerate your production process but also elevate the overall quality of your confectionery products. Our commitment to excellence and innovation ensures that you receive knives that meet the highest standards of performance and reliability, helping you achieve success in your confectionery business.



Tel: (956) 369-0129
Email: ventas@marekpartssupply.com
Web: marekpartssupply.com

 **TGW International, Inc.**
An EDGE Industrial Technologies Company



At TGW, fruit and vegetable knives have been a cornerstone of our legacy since 1908, reflecting our deep-rooted expertise in crafting precision tools for the food industry. We excel in creating solutions for slicing, dicing, slitting, cup peeling, coring, and laser welded segment cutting, as well as cut-off knives and blades tailored to your needs.

Processing Solutions:

- **Core Cutters:** Perfect for apples, pineapples, and more.
- **Pit Removal Tools:** Efficiently handle apricots, cherries, peaches, avocados, etc.
- **De-stemmers:** Ideal for cherries, plums, and other stemmed fruits.
- **Slicers:** Deliver clean cuts for all fruits and vegetables, including leafy greens.
- **Cutters and Saws:** Suitable for melons, coconuts, stem vegetables, and root vegetables.
- **Peelers and Scoopers:** Designed for mangoes, oranges, melons, etc.
- **Segment Cutters, Slicers, or Dicers:** Versatile for most fruits and vegetables.
- **Hydro Cutting:** Ideal for cutting potatoes, yams, cucumbers, carrots, and more.

Our knives cater to all food processing needs, from slicing to guillotine cutting, in various shapes like straight, circular, and serrated. We use top-grade stainless steels: Austenitic for corrosion resistance, Martensitic for hardness, and Ferritic for specific applications. TGW offers custom solutions with precise quotes, leveraging our materials lab and century-long expertise to enhance your operations.





Pet owners are increasingly vigilant about the quality of food and treats they provide to their beloved companions, and at TGW, we are dedicated to supporting this demand. We partner with pet food processors to deliver industrial knives that uphold the same high standards as those used in human food production. Our range of pet food processing knives is crafted from USDA-approved stainless steel, featuring non-stick coatings and superior corrosion resistance, ensuring seamless and efficient operations.

Our specialized knives cater to a wide array of applications, including:

- **Extrusion Cutoff:** Achieve precise cuts for optimal product consistency.
- **Pelletizer Blades:** Enhance the production of uniform pellets for balanced nutrition.
- **Sheeting Tools:** Ensure even thickness and quality across products.
- **Slitting and Cross-Cutting Guillotines:** Deliver clean, accurate cuts for diverse product shapes.
- **Mixing and Scraping Implements:** Facilitate thorough ingredient integration.
- **Ultrasonic Bar Cutters:** Use advanced technology for precise, gentle cuts.
- **Flaker Blades:** Perfect for creating consistent flakes.
- **Scissor Cutters (Horizontal and Vertical):** Provide versatile cutting solutions for various needs.

Beyond standard offerings, TGW excels in creating custom knife solutions tailored to meet specific operational challenges, enhancing both speed and quality in cutting applications. Trust TGW to elevate your pet food production with our expertly engineered knife solutions.



Tel: (956) 369-0129

Email: ventas@marekpartssupply.com

Web: marekpartssupply.com

 **TGW International, Inc.**
An EDGE Industrial Technologies Company



Tailored to your specific needs, TGW stands as the premier provider of custom-crafted industrial knives. Our expertise allows us to create any knife style you require, utilizing a wide range of metals and precise heat treatments to deliver products of unmatched quality, as long as it falls within our capability parameters.

Looking to maximize production uptime and minimize the hassle of frequent changeovers? Let us propose modifications or design improvements that will enhance your operations by reducing downtime and maintenance demands.

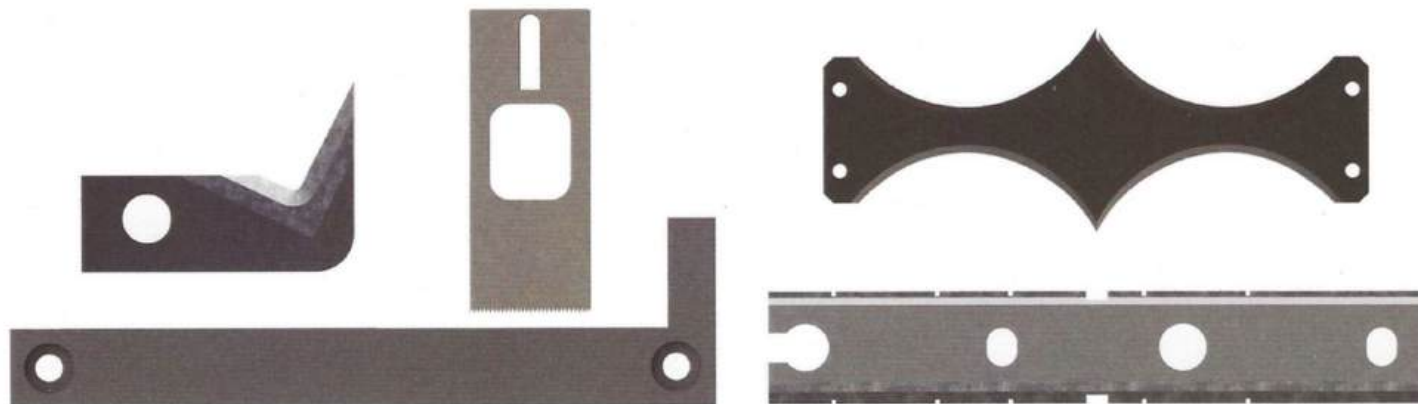
Beyond our standard knife offerings, TGW also presents premium knives designed to handle various material types effectively. For operations where heat resistance is crucial, we're equipped to manufacture knives capable of withstanding temperatures exceeding 1000°F, reaching up to 2000°F when necessary.

Our advanced capabilities include producing laser-welded applications for specialized needs, featuring reinforced ribs, tear notches, mounting pins, and threaded nuts. It's possible to incorporate multiple tear notches on a single blade for added functionality.

In search of a specialized application blade without success? Reach out to the knife experts at TGW. We'll gather all necessary details from you and craft a solution that fulfills your requirements to the fullest.

Examples of custom solutions include:

- Air pillow inlaid carbide cutters
- Bottom blades
- Inlaid carbide bottom knives
- Shrink labelers
- Solid carbide tapered top knives
- Special cutoff knives
- Toothed bottom blades
- Toothed top blades
- Top blades with slots





As a key partner to the packaging industry, we specialize in creating knives that not only meet but exceed the rigorous demands of the industry. Our commitment to excellence ensures that each knife we produce sets the standard for quality, durability, and precision.

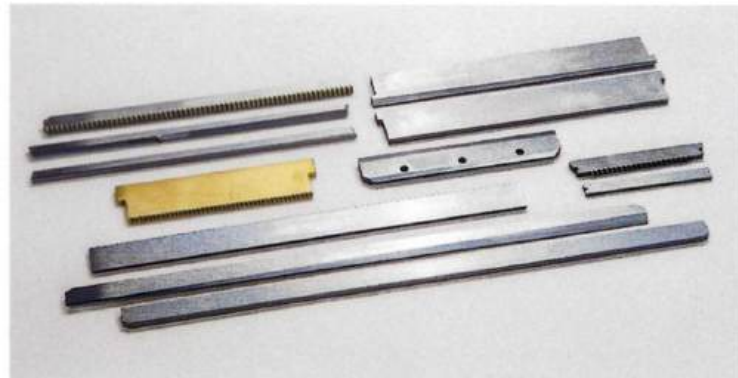
Choose superior quality with our industrial packaging knives, engineered for reliable performance and outstanding results. Contact us today to enhance the efficiency of your packaging operations with precision cutting tools.

Precision & Variety: Discover Our Knife Range

- High quality, durable knives for VFFS
- Expertly crafted flow wrapper knives for HFFS packaging applications
- Sealing jaws, crimpers, fin wheels, and heat seal bands
- Specialty sealing knives for trays, bowls, and cups
- Cutting-edge solutions for vacuum and thermoforming
- Precision punches and custom design options
- Durable case sealer knives
- And Made-To-Order knives for any application



While the market may be crowded, our dedication to delivering top-notch knives with a focus on customer satisfaction sets us apart. We're committed to offering products that not only meet but surpass expectations, ensuring our knives are the preferred choice for packaging experts.



Tel: (956) 369-0129

Email: ventas@marekpartssupply.com

Web: marekpartssupply.com

Alloyed Carbon Tool Steels:

52100, L3, O1 or similar materials for your exact application

Our standard material for low cost, but with sufficient wear resistance and toughness qualities for most standard cutting applications

High Alloyed Tool Steels:

D2 High Carbon High Chrome; D3 High Carbon High Chrome or similar

High Carbon High Chrome materials offer excellent wear resistance and toughness compared to our Alloyed Carbon Steel Grades for longer production runs between knife changes. Excellent value due to reduced downtime.

High Speed Steels:

M2, M35, M42 High Speed Steel or similar

With high amounts of Molybdenum, Vanadium and Tungsten, High Speed Steels offer excellent wear resistance and toughness qualities to further increase production uptime and material cut edge qualities.

High Speed Steel Powdered Metals:

CPM, ASP, Vanadis and similar grades

The absolute highest quality heat treatable materials available for optimum wear in converting applications. Maximize machine uptime.

Stainless Steels:

420, 440 Grades

Stainless steels offer a solid combination of corrosion resistance and wear characteristics. Best suited for food, medical, and pharmaceutical packaging applications, where cleanliness and durability are paramount, stainless steel is a "go-to" choice.

Specialty Materials:

Solid & Inlaid Carbide Grades, High Shock Grades, and High Heat Resistant Grades

Available upon request and subject to design constraints and availability. Our carbide options are ideal for bottom knives, razor blades, and specialized slitters. Handle, install, and use these carbide blades with extreme care to potentially achieve 10 to 20 times the longevity of Standard Carbon Steel blades.

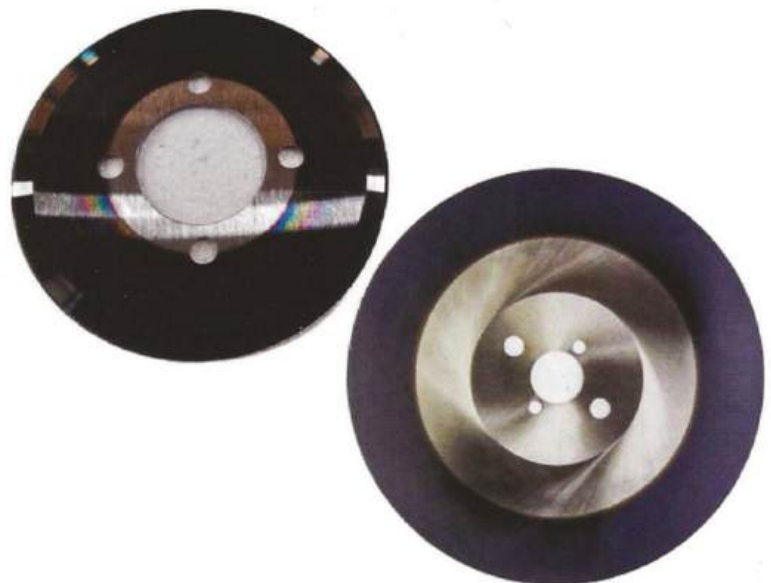
Sometimes, an application demands a specially designed knife, even when premium-grade materials are used. If your cuts are falling short, resulting in excessive dust, rough edges, or poor-quality threads and build-up, we can help. We have a variety of surface treatments and wear coatings available to address these issues and enhance your tough application's results. We collaborate with the top coatings companies to identify the right solutions for your specific problems.

Our professionals will recommend the right wear coating tailored to your application, taking into consideration the knife steel and hardness, the application itself, and the desired cut results. The majority of these coatings are PVD coatings, applying a thin wear coating onto the knife, ensuring consistent, repeatable results. We offer coatings that can increase wear resistance and abrasion resistance, as well as offer anti-friction properties. Wear coatings and processes available include but are not limited to:

- TiN (Titanium Nitride)
- TiCN (Titanium CarboNitride)
- DLC (Diamond-like Carbon)
- TiC (Titanium Carbide)
- TiAlN (Titanium Aluminum Nitride)
- CrN (Chrome Nitride)
- ZrN (Zirconium Nitride)
- FNC (Ferritic nitrocarburizing)

If needed, we also offer corrosion resistance treatments of Standard Passivation, Electropolishing, and even a protective Chrome-Plating or Nickel-Plating coating. We also offer a Premium Passivation to give the blade a chromium rich surface, providing up to 30 times the corrosion protection of passivation alone.

Let our technical staff help you choose the best finishing treatment for your application.



Tel: (956) 369-0129
Email: ventas@marekpartssupply.com
Web: marekpartssupply.com

 **TGW International, Inc.**
An EDGE Industrial Technologies Company



MAREK

PARTS & SUPPLIES



MAREK
EQUIPMENT TRADING
FOOD PROCESSING & INDUSTRIAL EQUIPMENT
SALES & SERVICE

MAREK TENCER

(956) 369-0129
McAllen, TX 78504-2741



ventas@marekpartssupply.com
web:marekpartssupply.com



EDGE

INDUSTRIAL TECHNOLOGIES



Americas

5 Braco Int Blvd
Wilders, KY 41076

(859) 647-7383
sales@tgwint.com
www.tgwint.com

EMEA

Unit 2, 333 Shepcote Lane
Sheffield S9 1TG

+44 [0] 114-244-5600
sales@tgwglobal.com
www.tgwint.com



Pearl Technologies Inc.

13297 Seneca Street
Savannah, NY 13146

(315) 365-3742
sales@pearltechinc.com
www.pearltechinc.com



Leverwood Knife Works

100 Redco Ave, Unit D2
Red Lion, PA 17356

(717) 246-4105
sales@leverwood.com
www.leverwood.com



POWERED BY EDGE

PACKAGING BLADES

Product Catalog



TGW International

Americas: 1-800-407-0173 • sales@tgwint.com • www.tgwint.com
EMEA: +44[0]144 244 5600 • sales@tgwglobal.com • www.tgwint.com

Table of Contents

For over 115 years, we have been dedicated to providing quality industrial machine knives reinforced with personalized service and technical expertise to the packaging, processing, printing, and converting industries. The superior quality of our knives combined with our vast knowledge in the industrial machine knife industry is what makes us a valued partner and supplier to businesses worldwide.

TGW International is a quality-first blade manufacturer with over 50,000 prints on file and a valued technical partner to more than 6,000 customers. We add approximately 250 new designs every month!

- | | |
|----------------------------------------------|------------------------------|
| 3 - Quality Solutions | 10 - Shrink Sleeve Packaging |
| 4 - Vertical Form Fill Seal (VFFS) | 11 - Case Sealer Tape Knives |
| 5 - Horizontal Form Fill Seal (HFFS) | 12 - Custom Knives |
| 6 - Flow Wrappers (HFFS) | 13 - Food Processing Knives |
| 7 - Crimpers, Sealing Jaws & Fin Wheels | 14 - Materials |
| 8 - Tray, Bowl & Pod Sealing Knives | 15 - Coatings |
| 9 - Vacuum, Thermoformed & Blister Packaging | |



KNOWLEDGE LEADER

We know industrial machine knives and punches. We understand your frustrations and expectations. We will get to the root of your problems and provide the consistency and technical support you need. With the most extensive cross-reference of OEM specifications, we can get you the product you need.



SUPERIOR QUALITY

Offering over 100 years of craftsmanship and experience making products that produce repeatable results. When the unexpected happens, don't wait weeks for your product to be delivered. We offer the largest inventory of stock items to quickly meet any last-minute needs.



FASTEST SERVICE

We work with our customers to provide them with solutions to their problems, **quickly**. Whether an applications issue or a stock fulfillment issue, EDGE is there to support you. We deliver the shortest lead times on MTO (made to order) knives, allowing you to get up and running sooner.

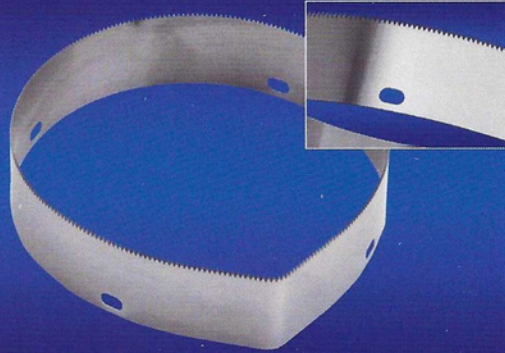
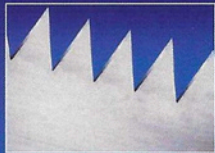
Discover Unmatched Quality and Efficiency in Every Knife

TGW leads the way in high-performance packaging knives, offering durable solutions that streamline your operations from start to finish. Our advanced materials, including D2 HCHC, M2 HSS, and more, ensure longevity, reduce maintenance, and boost productivity.

Precision-Crafted for Superior Performance

Our precision grinding techniques and top-grade steels deliver consistent, precise cuts for optimal performance. With our extensive inventory and expertise in complex shapes, we swiftly meet your needs, including:

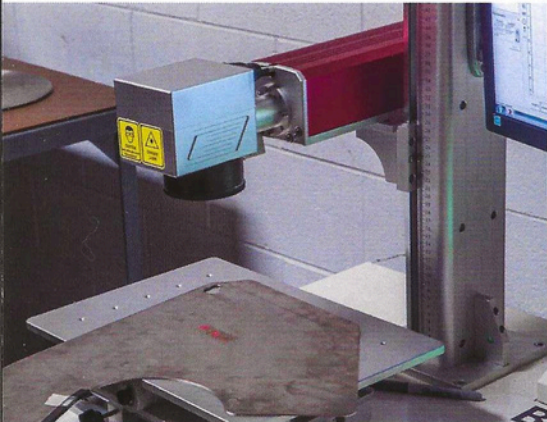
- VFFS and HFFS Packaging Knives
- Crimpers, Sealing Jaws, and Fin Wheels
- Specialty Sealing Knives for Trays, Bowls, and Pods
- Cutting-Edge Solutions for Vacuum and Thermoforming
- Precision Punches and Custom Design Options
- Durable Case Sealer Knives
- And Tailor-Made Knife Solutions



Get Started with TGW Today

We work with you to ensure you get knives that will get the job done. When working with you to determine the proper knife, we take into account such material traits as hardness, corrosion resistance, and toughness. For more demanding applications, we offer various carbide grades, which can enhance wear-resistance or durability. Our knives surpass OEM standards and we offer custom manufacturing for unique applications, using top-quality materials. Work with TGW so we can help you minimize downtime while maintaining cut quality!

For proper identification and manufacturing, we need your OEM machine model and knife part number, if possible. For best results, we may require prints and/or samples.

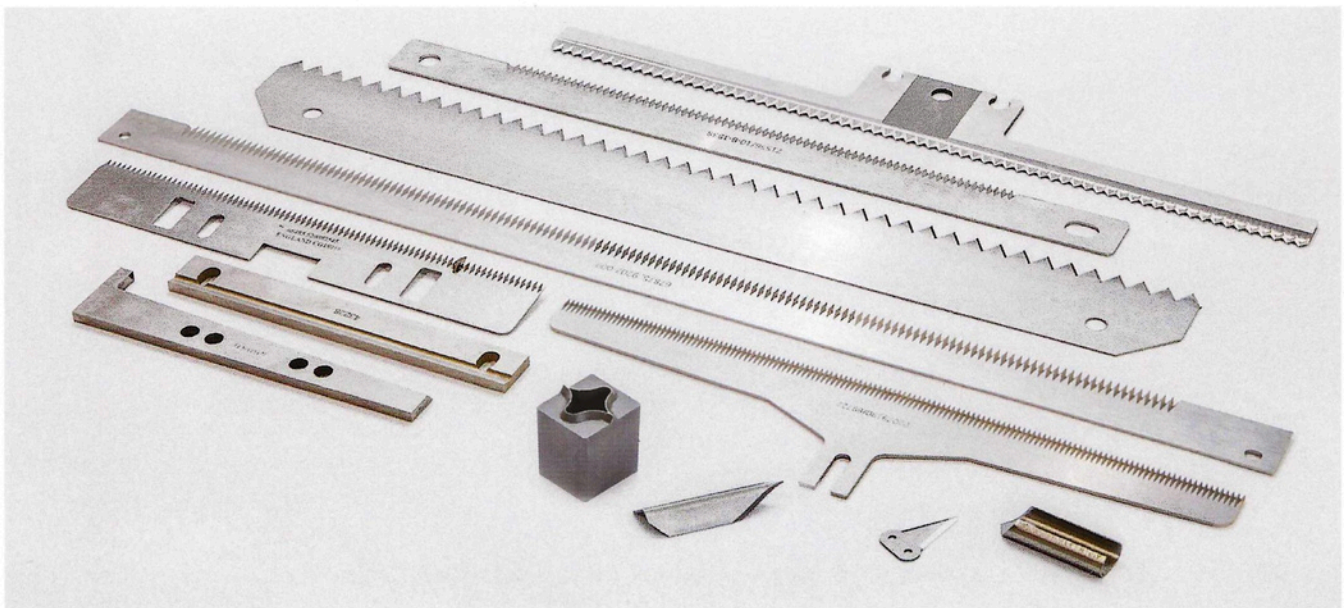


Vertical Form Fill Seal (VFFS)



As the world's leading manufacturer of industrial packaging knives, we offer an extensive range of VFFS blades designed to meet diverse packaging needs. Whether you're handling food, consumer goods, or products in the medical and pharmaceutical sectors, our blades are engineered for perfection.

- **Variety of Tooth Styles:** Choose from serrated, scalloped, zig-zag, and EZ-open designs to match your specific packaging requirements.
- **Longer Knife Life:** Enjoy extended durability and cleaner cuts, reducing the need for frequent replacements.
- **Rapid Availability:** With the largest selection of standard VFFS knives ready to ship by the next day, downtime is a thing of the past. For custom needs, our bespoke manufacturing service ensures you get exactly what you need, when you need it.
- **Exceptional Quality:** Crafted from the finest European Steel and subjected to optimal heat treatment, our blades promise exceptional quality at competitive prices.
- **Customization at Its Best:** From tooth profiles to material upgrades and coatings, we cater to your unique specifications and OEM standards.



Tel: (956) 369-0129

Email: ventas@marekpartssupply.com

Web: marekpartssupply.com

sales@tgwint.com
1-800-407-0173

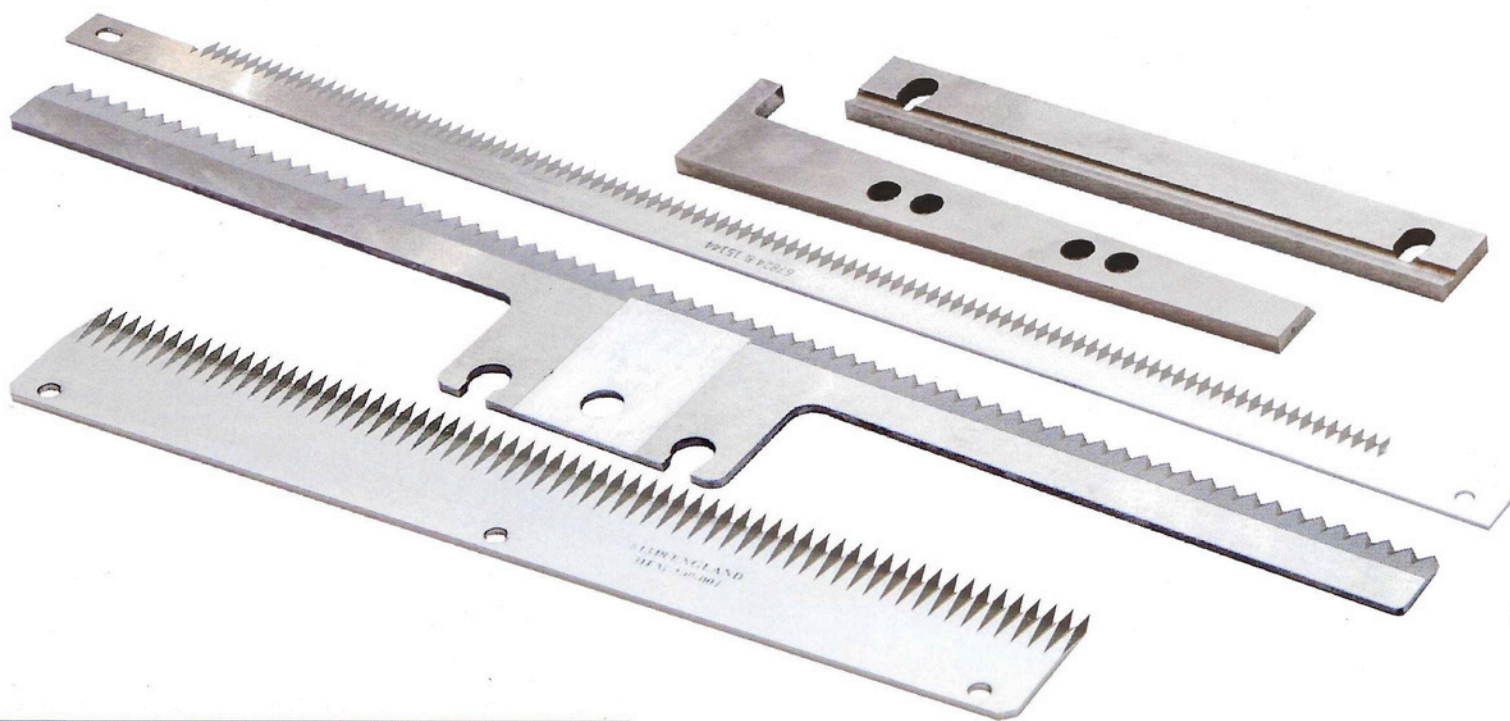
www.tgwint.com
www.edgeindtech.com

Horizontal Form Fill Seal (HFFS)



Our expertise spans across shrink wrapping, overwrapping, diamond wrapping, diefold wrapping, and horizontally fed pouch filling machinery. Tailored for both entry-level, low-speed machines and ultra-high-speed machines, our products are crafted using advanced materials and heat-treating technologies to deliver unparalleled quality. For operations requiring specialized solutions, we offer knives with enhanced wear resistance, non-stick properties, or specialty coatings to enhance your efficiency.

- **Shrink Wrapping Knives; Centerfold Shrink Wrap & Shrink Banding Knives:** TGW's precision knives cater to all shrink wrapping needs, from wrapping individual items in thin material to bundling products in thicker material. Our product line includes a variety of toothed cutoff heat seal knives, smooth-edged heat seal knives, scissor cut knives, cross cutoff knives, and slitters.
- **Overwrap Knives; Film Overwrap, Diamond, Cello, Tuck & Fold, End Fold, Diefold, & Pleat Wrappings:** Our extensive knife selection supports various horizontally fed wrapping machines. Knives by TGW extend product shelf life, improve appearance, and add security.
- **Stand Up Pouch & Bag Knives:** The popularity of stand up pouches for packaging a diverse range of products has grown significantly. TGW provides knives for every aspect of pouch and bag production, from hot seal bars to specialty hole punches and slitters.



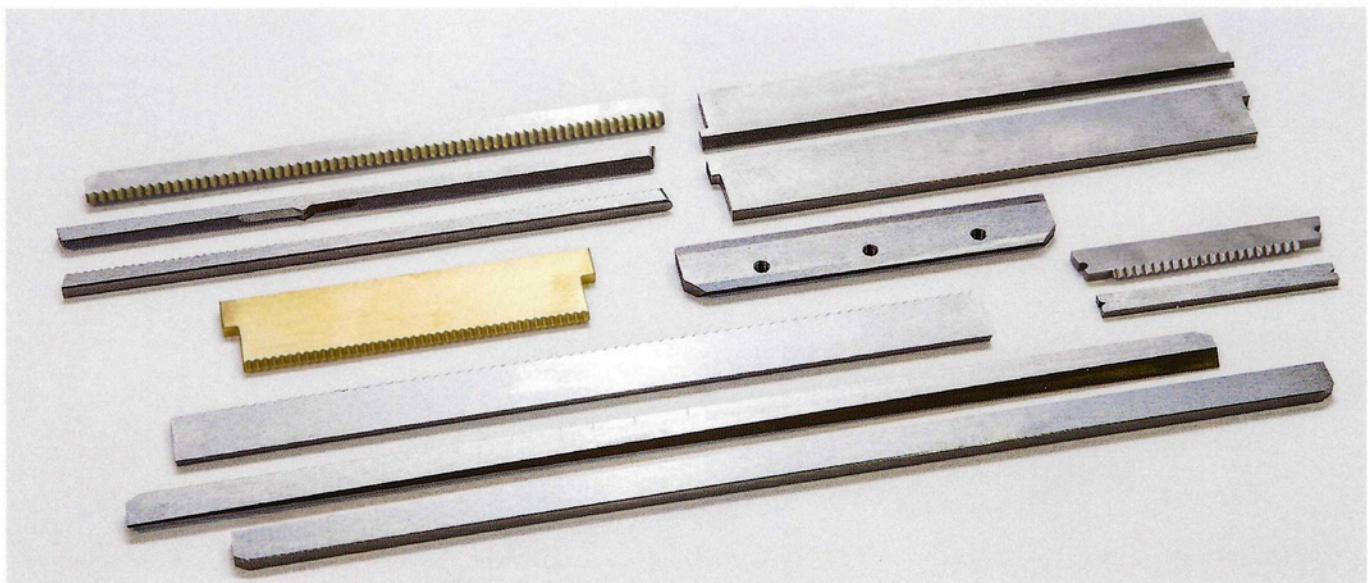
Flow Wrappers (HFFS)



TGW International stands at the forefront of crafting exceptional knives for flow wrapping equipment, featuring an array of tooth profiles such as straight, diagonal, and zigzag, complemented by suitable anvils. We further tailor our offerings with options like tear notches for enhanced functionality.

Leveraging our in-depth experience, we offer unparalleled expertise in the selection of machine knife materials. This ensures that each knife we produce meets the highest standards in material grade, hardness, finish, and accuracy, guaranteeing superior performance and yield for our clients. Our selection primarily includes high-grade materials like HSS M2, M35, M42, or Carbide. To maximize your return, we also offer re-grinding services, significantly prolonging blade lifespan.

Our product range extends to both upper and lower flow wrapper knives across various edge configurations and zigzag teeth profiles, along with corresponding anvils. For processes requiring simultaneous ultrasonic sealing and cutting, our knives are engineered to deliver exceptional results in both areas.



sales@tgwint.com
1-800-407-0173

www.tgwint.com
www.edgeindtech.com

Tel: (956) 369-0129
Email: ventas@marekpartssupply.com
Web: marekpartssupply.com

Crimpers, Sealing Jaws & Fin Wheels

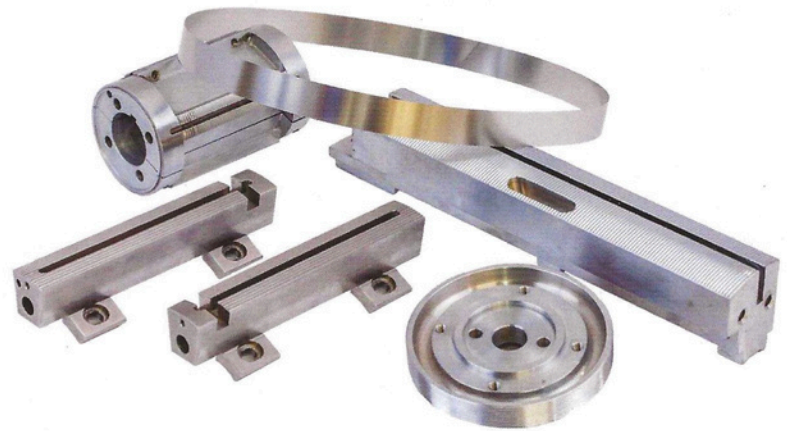


Our commitment to excellence is reflected in our use of precision machining techniques, ensuring each HFFS crimper, VFFS sealing jaw, fin seal wheel, heat seal band, and ultrasonic crimper and sealer meets the highest standards of quality. Our dedication to quality extends to the materials we use, sourced from leading European steel providers. This commitment guarantees that every part we produce stands out for its durability and performance.

Understanding the evolving needs of the packaging industry, TGW also offers material upgrades, including USDA and FDA approved non-stick and wear coatings. These enhancements are designed to improve sealing efficiency, preventing air leaks and ensuring optimal alignment for both warm and cold set sealing processes. Moreover, our heat seal bands are engineered for longevity, featuring high-quality heat-resistant materials and a laser-welded joint for unmatched break resistance.

Our sealing solutions cater to a diverse array of industries, ensuring reliability and quality across various applications that include but aren't limited to:

- **Food products** including fresh meats, dried jerky, bakery items, coffee and tea, candy, nutrition bars, frozen goods (ice cream bars, popsicles), pet food, and snack foods.
- **Personal and healthcare products** such as wet wipes, cosmetic and soap products, and medical supplies.
- **Industrial supplies and other miscellaneous products** including but not limited to playing cards, cigarettes, golf ball packs, air filters, roofing shingles, plastic eating utensils, chewing gum, and more.



With TGW, embrace the future of packaging with solutions that blend precision, quality, and durability, catering to your unique industry needs.

Don't see what you need? We manufacture and supply both custom and OEM knives. Our experts will work with you to improve your blade's performance to optimize your production.

Tray, Bowl & Pod Sealing Knives



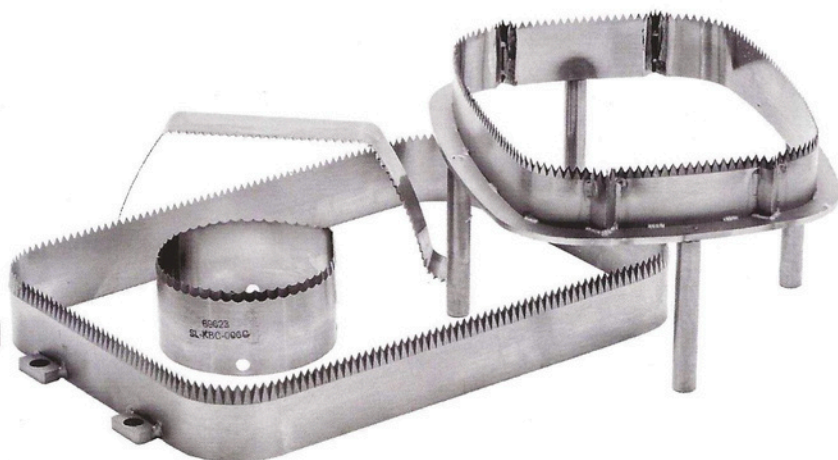
TGW is the leader in creating specialized knives for tray and cup sealing applications, offering a wide range of products including tray sealing knives, cup sealing knives, single-serve cup knives, and pod knife punches tailored to your specific needs. Regardless of the configuration you require—be it 2-bay, 4-bay, or 5-bay—we can customize your knives to match your precise requirements. Leveraging advanced CNC technology, we ensure each knife delivers exceptional form and fit qualities, with the option to add a wear-resistant coating for extended durability.

Choosing the ideal knife material and tooth profile to efficiently cut through your specific film, laminate, or foil can pose a challenge. This is where our expert technical team steps in; we're here to guide you through the selection process to ensure your product meets your performance expectations.

Our standard tray and cup sealing knives are available within a short manufacturing lead time of 2 weeks or less! For those requiring expedited delivery, please reach out to a TGW sales professional, and we will strive to accommodate your timeline.

We proudly serve a diverse range of industries, including:

- Coffee and tea
- Cosmetic and personal care
- Dairy creamer and yogurt
- Frozen food
- Household and cleaning products
- Meat, seafood, and poultry
- Medical and pharmaceutical
- Pet food
- Ready-to-eat meals and single-serve snacks
- Salad, fruit, and vegetable
- Sauces, condiments, soups, and hummus
- And more!



sales@tgwint.com
1-800-407-0173

www.tgwint.com
www.edgeindtech.com

Tel: (956) 369-0129

Email: ventas@marekpartssupply.com

Web: marekpartssupply.com

Vacuum, Thermoformed & Blister Packaging

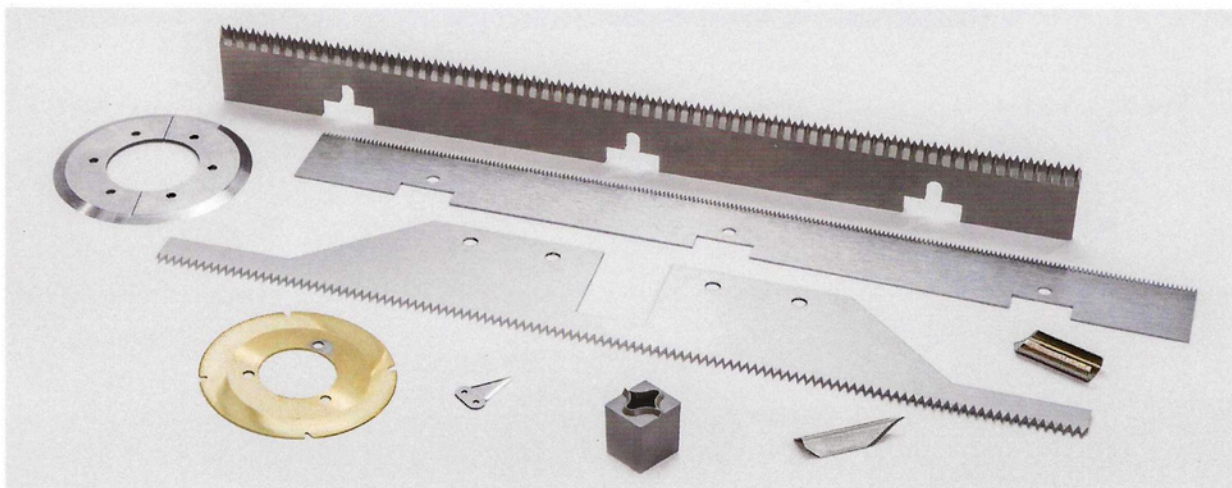


Vacuum packaging films, often three to four times thicker than shrink wraps or other wrapping materials, present a significant cutting challenge. Similarly, navigating the cutting requirements for thermoformed materials and blister packaging demands knives crafted from materials of specific hardness and quality. Tailored to meet the unique demands of your application, we design our knives with the ideal tooth profile and blade material to ensure a precise, clean cut through even the most resilient materials.

At TGW, our expertise extends to creating high-performance knives capable of tackling the most rigorous packaging challenges. Our offerings include a broad array of standard OEM and custom designs, such as serrated knives, perforated blades, EZ open knives, cross cutoff knives, circular slitters, notched slitters, air punches, shaped cutters, star and circular hole punches, Euro punches, and piercing blades. For enhanced durability, we can recommend material and coating upgrades that significantly prolong your knife's operational lifespan.

We proudly serve various industries, including:

- Bakery goods
- Cheese, snack foods, and dried foods
- Consumer goods (both large and small)
- Electronic components
- Meats and seafood, including ham, bacon, dried jerky, steak, hot dogs, sausage, and a variety of poultry
- Medical and pharmaceutical sectors
- And more!



Shrink Sleeve Packaging

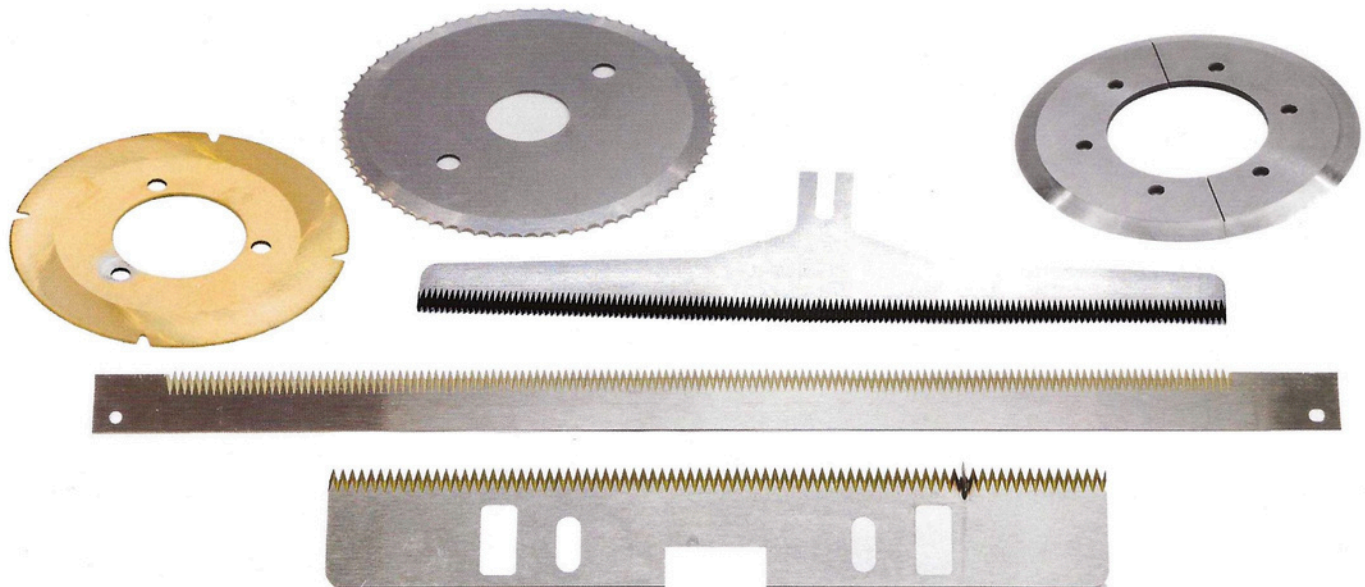


Shrink sleeve packaging, especially for beverages among other products using cans and bottles, is a rapidly expanding segment within the flexible packaging industry. TGW leads the charge, providing high-quality straight, serrated, and circular knives. Suited for everything from limited runs to high-volume production, shrink sleeve packaging is an effective method to enhance brand visibility and facilitate swift transitions between different labels.

As the market evolves with new films and inks, rely on TGW to collaborate closely with you, ensuring precise cuts without compromising blade longevity. Finding the perfect blade material and tooth design for your specific needs—be it cutting film, laminate, or foil—can be complex. Our knowledgeable technical team is ready to assist, guiding you to select the right equipment to achieve the desired results for your product.

Shrink sleeve packaging is commonly used in various industries, including:

- **Automotive:** For packaging fuel additives, sealants, etc.
- **Food & Beverage:** Encompassing soda, beer, craft beer, yogurt, and more.
- **Home & Personal Care:** Including cosmetics, shampoo, conditioner, etc.
- **Nutraceuticals:** Covering vitamins/supplements, powders, pharmaceuticals, and more.
- **Pet Care:** For pet food and treats, pet shampoos, and other pet care items.



Tel: (956) 369-0129

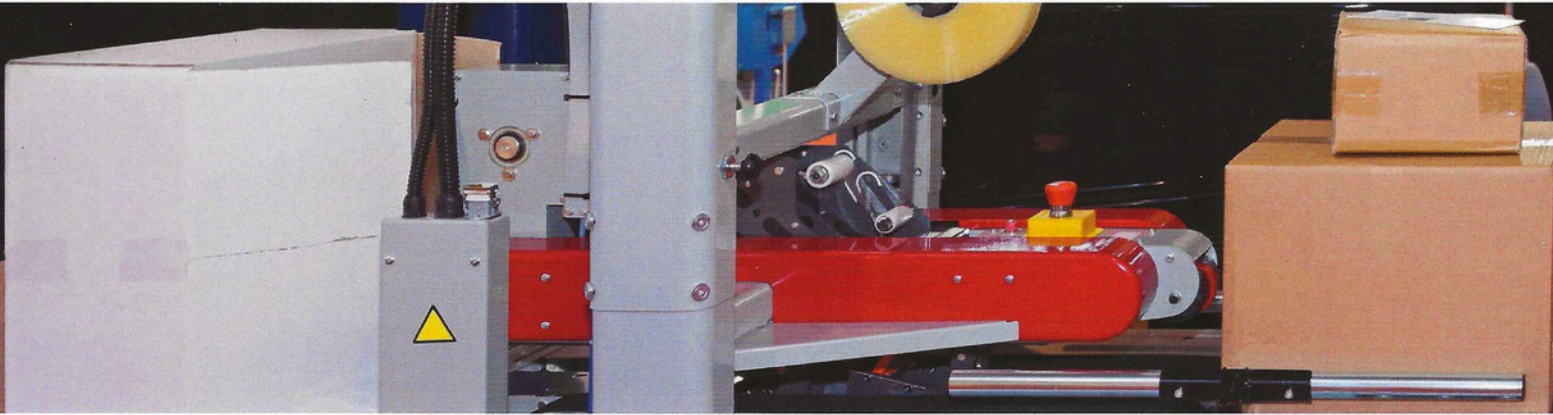
Email: ventas@marekpartssupply.com

Web: marekpartssupply.com

sales@tgwint.com
1-800-407-0173

www.tgwint.com
www.edgeindtech.com

Case Sealer Tape Knives



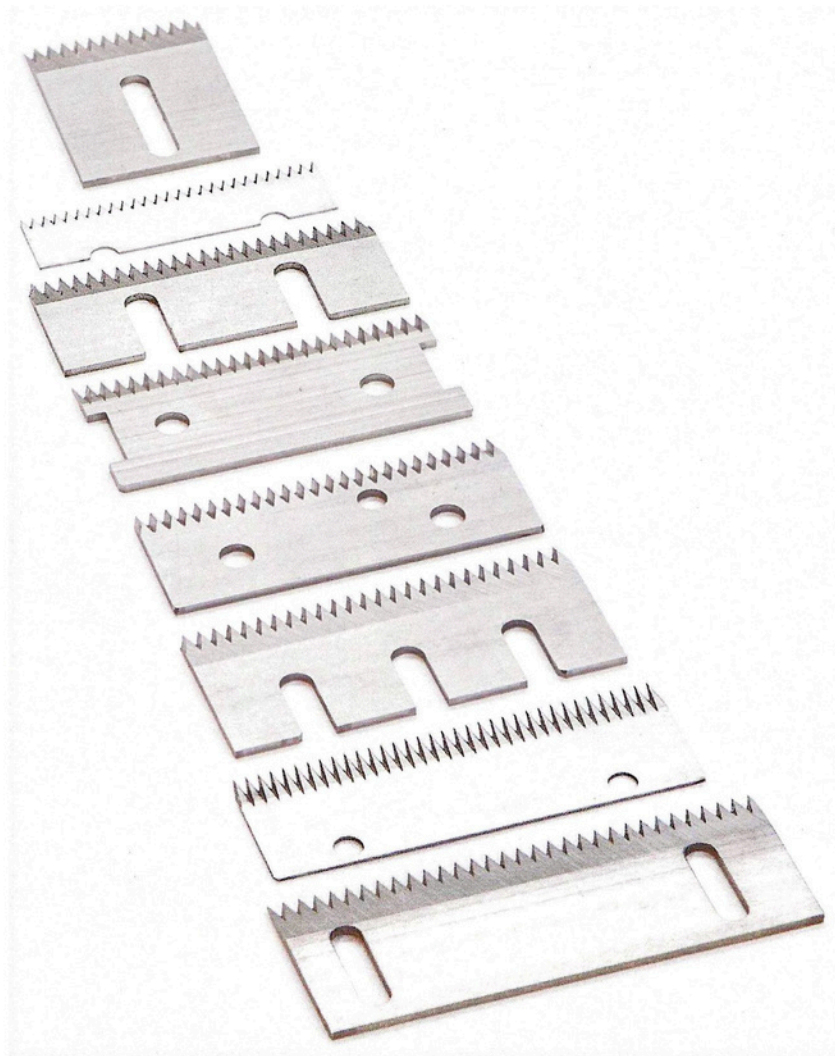
At our facility, we produce and maintain an extensive inventory of tape knives, available in a variety of grades including standard, hardened, premium, and M2 High-Speed Steel (HSS) to cater to diverse operational needs. For situations where adhesive build-up is minimal, our powdered metal knives are an excellent choice, offering unparalleled wear resistance for extended durability.

In addition to the material options, we provide an array of standard and premium non-stick wear coatings, including but not limited to:

- Titanium Nitride (TiN)
- Titanium Carbonitride (TiCN)
- Chrome
- And more!

These coatings are designed to further enhance the longevity and performance of our knives by reducing friction and preventing adhesive accumulation.

Furthermore, we specialize in supplying replacement blades compatible with all Original Equipment Manufacturer (OEM) machines. Whether you're in need of a standard replacement or a custom solution tailored to specific requirements, our comprehensive selection ensures that you'll find the perfect match for your equipment. Our commitment to quality and versatility makes us a one-stop shop for all your tape knife needs.



Custom Knives



Tailored to your specific needs, TGW stands as the premier provider of custom-crafted industrial knives. Our expertise allows us to create any knife style you require, utilizing a wide range of metals and precise heat treatments to deliver products of unmatched quality, as long as it falls within our capability parameters.

Looking to maximize production uptime and minimize the hassle of frequent changeovers? Let us propose modifications or design improvements that will enhance your operations by reducing downtime and maintenance demands.

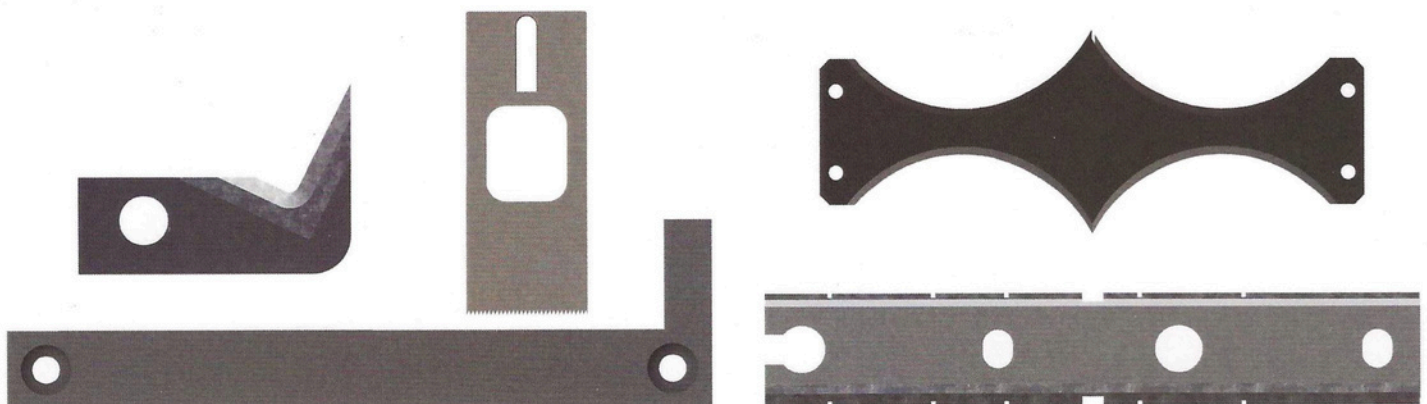
Beyond our standard knife offerings, TGW also presents premium knives designed to handle various material types effectively. For operations where heat resistance is crucial, we're equipped to manufacture knives capable of withstanding temperatures exceeding 1000°F, reaching up to 2000°F when necessary.

Our advanced capabilities include producing laser-welded applications for specialized needs, featuring reinforced ribs, tear notches, mounting pins, and threaded nuts. It's possible to incorporate multiple tear notches on a single blade for added functionality.

In search of a specialized application blade without success? Reach out to the knife experts at TGW. We'll gather all necessary details from you and craft a solution that fulfills your requirements to the fullest.

Examples of custom solutions include:

- Air pillow inlaid carbide cutters
- Bottom blades
- Inlaid carbide bottom knives
- Shrink labelers
- Solid carbide tapered top knives
- Special cutoff knives
- Toothed bottom blades
- Toothed top blades
- Top blades with slots



sales@tgwint.com
1-800-407-0173

www.tgwint.com
www.edgeindtech.com

Tel: (956) 369-0129

Email: ventas@marekpartssupply.com

Web: marekpartssupply.com

Food Processing Knives



As a key partner to the food processing sector, we specialize in creating knives that not only meet but exceed the rigorous demands of the meat, poultry, seafood, fruit, vegetable, snack, dairy, and grain industries. Our commitment to excellence ensures that each knife we produce sets the standard for quality, durability, and precision.

Opt for nothing less than superior with our industrial food processing knives, designed for steadfast performance and exceptional outcomes. Contact us today to elevate the efficiency of your food processing tasks through the art of precision cutting.

Our expertly engineered knife range includes:

- Guillotine knives
- Macerators
- Roll milled scraper blades
- Shredder blades
- Slicers
- Tenderizers
- Portioner blades
- Chopper blades
- Band Saws / Band Knives

Why choose TGW?

- **FDA Approved Materials:** Crafted for compliance and safety, our knives meet industry standards without compromise.
- **Robust Durability:** Designed to endure the demanding environment of food processing, our knives offer lasting resistance to wear.
- **Precision Cutting:** Achieve precise, consistent cuts with our finely honed knives, engineered for peak performance.
- **Hygiene and Maintenance:** With easy cleaning and maintenance, our knives support the highest standards of hygiene, enhancing productivity.
- **Customization Options:** Catering to diverse processing needs, our range includes various blade configurations and edge designs.



While the market may be crowded, our dedication to delivering top-notch knives with a focus on customer satisfaction sets us apart. We're committed to offering products that not only meet but surpass expectations, ensuring our knives are the preferred choice for food processing experts.

Materials

Alloyed Carbon Tool Steels:

52100, L3, O1 or similar materials for your exact application

Our standard material for low cost, but with sufficient wear resistance and toughness qualities for most standard cutting applications

High Alloyed Tool Steels:

D2 High Carbon High Chrome; D3 High Carbon High Chrome or similar

High Carbon High Chrome materials offer excellent wear resistance and toughness compared to our Alloyed Carbon Steel Grades for longer production runs between knife changes. Excellent value due to reduced downtime.

High Speed Steels:

M2, M35, M42 High Speed Steel or similar

With high amounts of Molybdenum, Vanadium and Tungsten, High Speed Steels offer excellent wear resistance and toughness qualities to further increase production uptime and material cut edge qualities.

High Speed Steel Powdered Metals:

CPM, ASP, Vanadis and similar grades

The absolute highest quality heat treatable materials available for optimum wear in converting applications. Maximize machine uptime.

Stainless Steels:

420, 440 Grades

Stainless steels offer a solid combination of corrosion resistance and wear characteristics. Best suited for food, medical, and pharmaceutical packaging applications, where cleanliness and durability are paramount, stainless steel is a "go-to" choice.

Specialty Materials:

Solid & Inlaid Carbide Grades, High Shock Grades, and High Heat Resistant Grades

Available upon request and subject to design constraints and availability. Our carbide options are ideal for bottom knives, razor blades, and specialized slitters. Handle, install, and use these carbide blades with extreme care to potentially achieve 10 to 20 times the longevity of Standard Carbon Steel blades.

sales@tgwint.com
1-800-407-0173

www.tgwint.com
www.edgeindtech.com

Tel: (956) 369-0129

Email: ventas@marekpartssupply.com

Web: marekpartssupply.com

Sometimes, an application demands a specially designed knife, even when premium-grade materials are used. If your cuts are falling short, resulting in excessive dust, rough edges, or poor-quality threads and build-up, we can help. We have a variety of surface treatments and wear coatings available to address these issues and enhance your tough application's results. We collaborate with the top coatings companies to identify the right solutions for your specific problems.

Our professionals will recommend the right wear coating tailored to your application, taking into consideration the knife steel and hardness, the application itself, and the desired cut results. The majority of these coatings are PVD coatings, applying a thin wear coating onto the knife, ensuring consistent, repeatable results. We offer coatings that can increase wear resistance and abrasion resistance, as well as offer anti-friction properties. Wear coatings and processes available include but are not limited to:

- TiN (Titanium Nitride)
- TiCN (Titanium CarboNitride)
- DLC (Diamond-like Carbon)
- TiC (Titanium Carbide)
- TiAlN (Titanium Aluminum Nitride)
- CrN (Chrome Nitride)
- ZrN (Zirconium Nitride)
- FNC (Ferritic nitrocarburizing)

If needed, we also offer corrosion resistance treatments of Standard Passivation, Electropolishing, and even a protective Chrome-Plating or Nickel-Plating coating. We also offer a Premium Passivation to give the blade a chromium rich surface, providing up to 30 times the corrosion protection of passivation alone.

Let our technical staff help you choose the best finishing treatment for your application.

